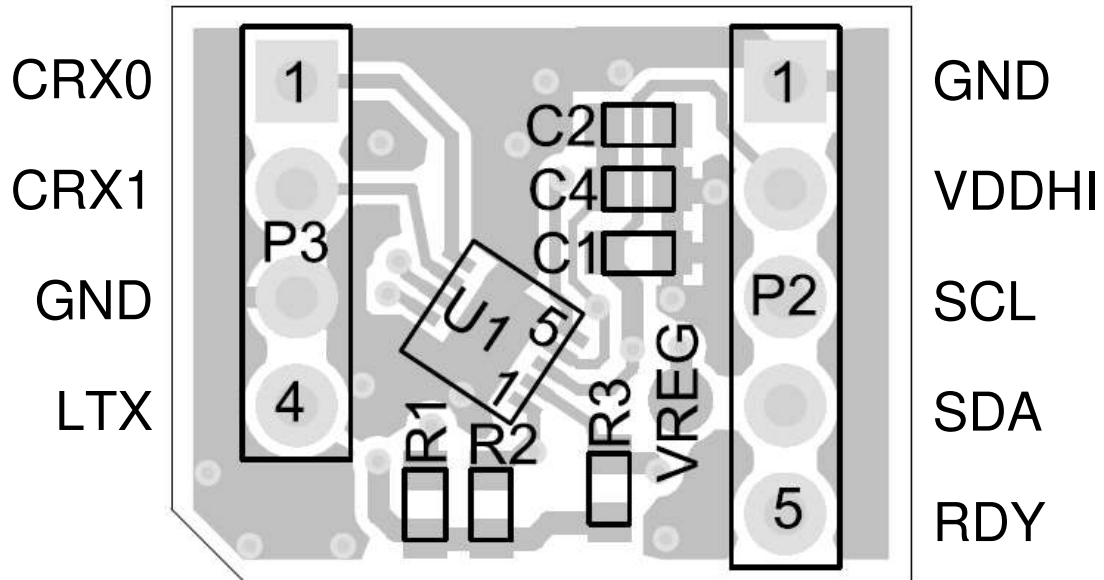




IQS624EV01 Quick Start

Hall effect angle sensor with dual channel capacitive proximity/touch controller



Uses:

- Self – Capacitive
- SAR (Quick Release)
- Inductive
- **Hall Wheel**

