

DWG. NO.
SD-49349-001

SIMILAR ITEM

PROJECT NO.

B

DO NOT SCALE DRAWING
DIMENSION IN METRIC

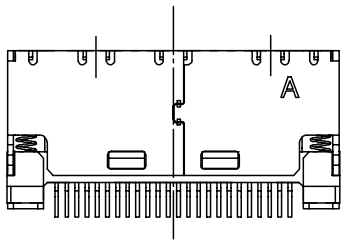
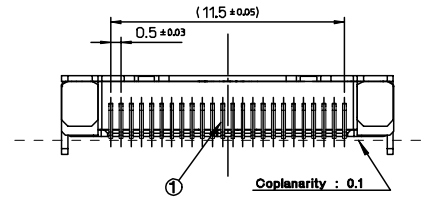
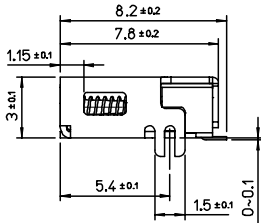
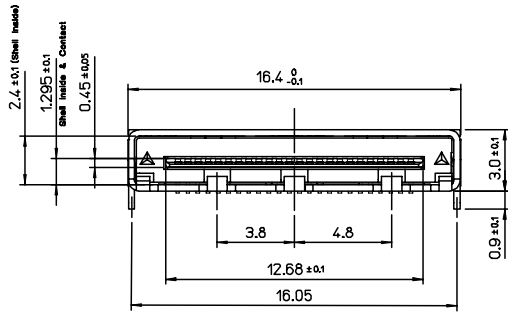
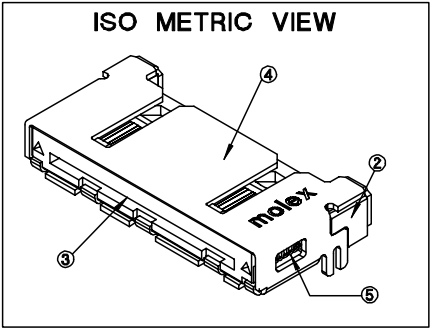
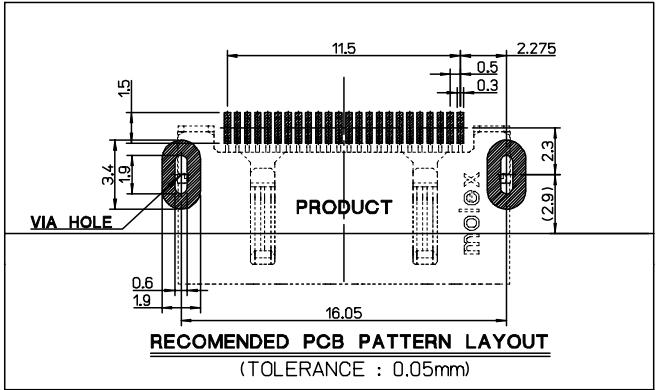
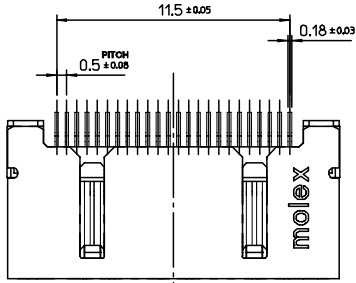


TABLE 2

⑤	COMPRESSION SPRING	STAINLESS STEEL	NONE
④	METAL SHELL	STAINLESS STEEL	NICKEL
③	SHUTTER	POLY AMIDE UL94V-0	BLACK COLOR
②	OVERMOLD HOUSING	POLY AMIDE UL94V-0	BLACK COLOR
①	CONTACT TERMINAL	COPPER ALLOY	SELECTIVE GOLD
NO.	DESCRIPTION	MATERIAL	FINISH

TABLE 1

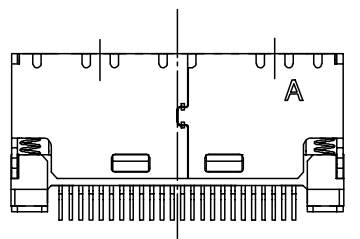
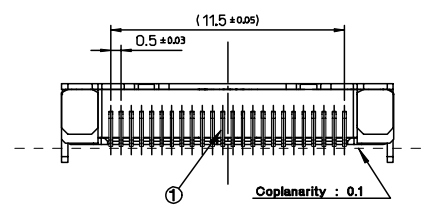
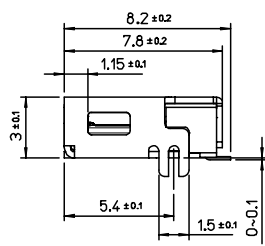
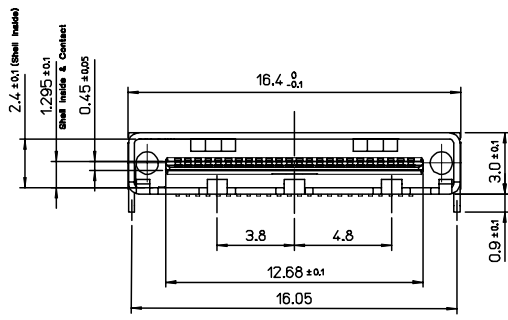
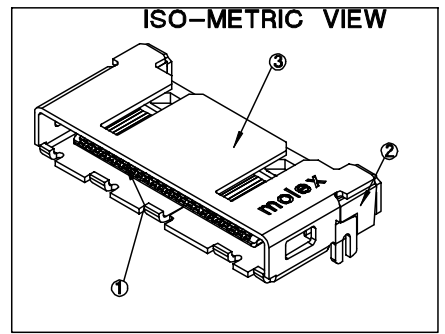
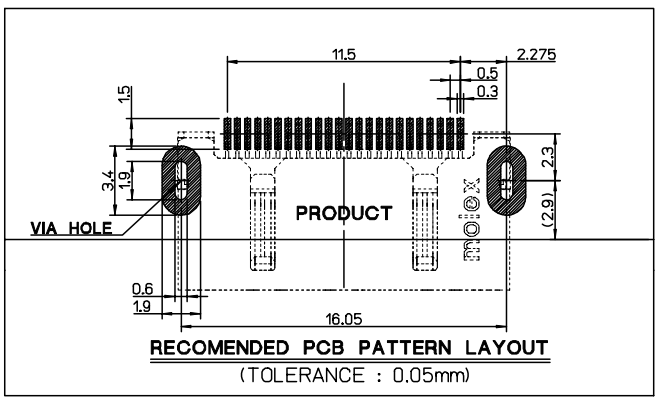
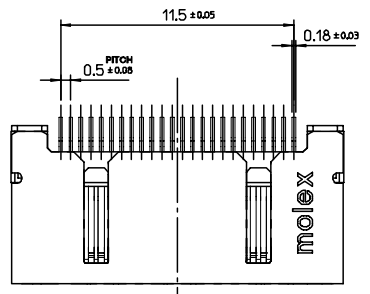
BLACK	493492411	49349-2411
COLOR	MATERIAL NO.	ENGINEERING NO.
DIMENSIONS:		
<input type="checkbox"/> mm	<input type="checkbox"/> INCH	<input checked="" type="checkbox"/> mm ONLY
SHT	REV	REVISE ON CAD ONLY

NOTES

1. MATERIALS: SEE TABLE 2
2. FINISHES: SEE TABLE 2
3. PRODUCT SPECIFICATION : PS-49349-001
4. COPLANARITY OF SOLDERTAILS : 0.1mm MAX.
5. PACKAGING SPECIFICATION : PK-49349-001

REVISED ECN NO. KOR2007-0018 DRWN: E.S.JUNG 06/08/24 CHK: S.H.JOO APPR: S.J.SEH	DESCRIPTION MAJOR CRITICAL C	QUALITY SYMBOLS	GENERAL TOLERANCES: (UNLESS SPECIFIED)	SCALE 4 : 1	DESIGN UNITS <input checked="" type="checkbox"/> mm <input type="checkbox"/> INCH	THIRD ANGLE PROJECTION	TITLE: 0.5 SHUTTER I/O Conn.24P For 0.5 Shutter I/O Conn. 24p Receptacle Assy (REVERSE TYPE)
		4 PLACES ±0.1	mm INCH	DRAWN BY & DATE E.S.JUNG 05/08/11	MOLEX INCORPORATED		
A	REV	3 PLACES ±0.1	ANGULAR: ± °	CHECKED BY & DATE S.H.JOO	CAD FILENAME SD49349001.MI	MATERIAL NO. SEE TABLE	DRAWING NO. SD-49349-001
		2 PLACES ±0.05	DRAFT WHERE APPLICABLE MUST REMAIN WITHIN DIMENSIONS	APPROVED BY & DATE S.J.SEH	THIS DRAWING CONTAINS INFORMATION THAT IS PROPRIETARY TO MOLEX INCORPORATED AND SHOULD NOT BE USED WITHOUT WRITTEN PERMISSION.		
		1 PLACE ±0.1					SHEET NO. 1 OF 1
							SIZE B

DWG. NO. SD-49349-501
 SIMILAR ITEM
 PROJECT NO.
 DO NOT SCALE DRAWING DIMENSION IN METRIC



NOTES

1. MATERIALS: SEE TABLE 2
2. FINISHES: SEE TABLE 2
3. PRODUCT SPECIFICATION : PS-49349-001
4. COPLANARITY OF SOLDER TAILS : 0.1mm MAX.
5. PACKAGING SPECIFICATION : PK-49349-001

TABLE 2

③	METAL SHELL	STAINLESS STEEL	NICKEL
②	OVERMOLD HOUSING	POLY AMIDE UL94V-0	BLACK COLOR
①	CONTACT TERMINAL	COPPER ALLOY	SELECTIVE GOLD
NO.	DESCRIPTION	MATERIAL	FINISH

TABLE 1

BLACK	493492451	49349-2451
COLOR	MATERIAL NO.	ENGINEERING NO.
DIMENSIONS:		SHT REV
<input type="checkbox"/> mm <input type="checkbox"/> INCH	<input checked="" type="checkbox"/> mm <input type="checkbox"/> INCH	REVISE ON CAD ONLY

REVISED	ECN NO. KOR2007-0053 DRWN: S.H.JOO 08/11/23 CHK: APPR: S.J.SEH	DESCRIPTION	QUALITY SYMBOLS	GENERAL TOLERANCES: (UNLESS SPECIFIED)	SCALE	DESIGN UNITS	THIRD ANGLE PROJECTION	TITLE: 0.5 SHUTTER I/O CONN.24P For 0.5 Shutter I/O Conn. 24p Receptacle Ass'y (REVERSE, NO SHUTTER TYPE)			
			MAJOR CRITICAL C	mm INCH	4 : 1	mm INCH	<input checked="" type="checkbox"/> mm <input type="checkbox"/> INCH	MOLEX INCORPORATED			
A1	REV		4 PLACES ±0.1	mm INCH				CAD FILENAME	MATERIAL NO.	DRAWING NO.	SHEET NO.
			3 PLACES ±0.1					SD49349001.MI	SEE TABLE	SD-49349-501	1 OF 1
			2 PLACES ±0.05					THIS DRAWING CONTAINS INFORMATION THAT IS PROPRIETARY TO MOLEX INCORPORATED AND SHOULD NOT BE USED WITHOUT WRITTEN PERMISSION.			SIZE B
			1 PLACE ±0.1					KOREA			MX-A3