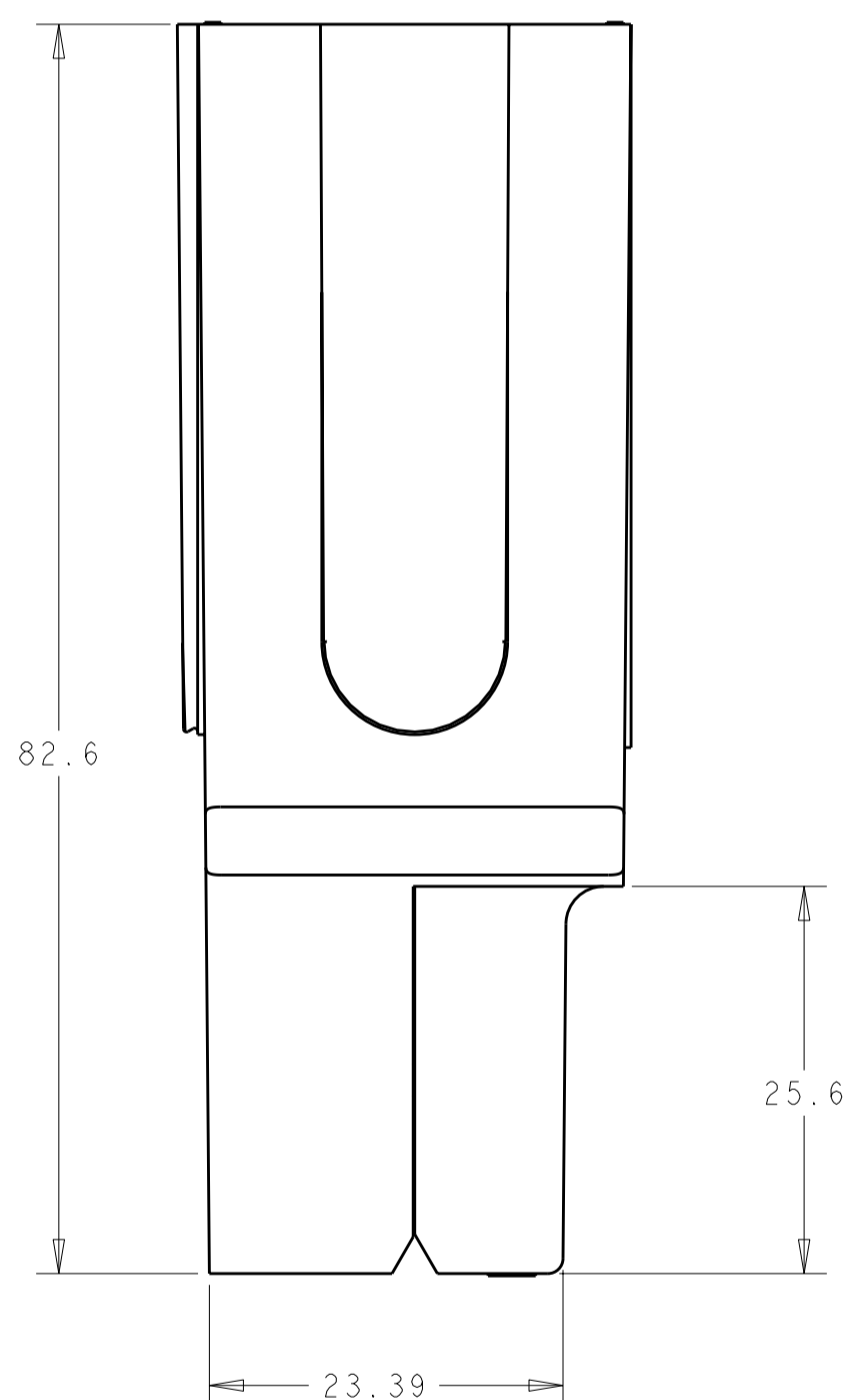
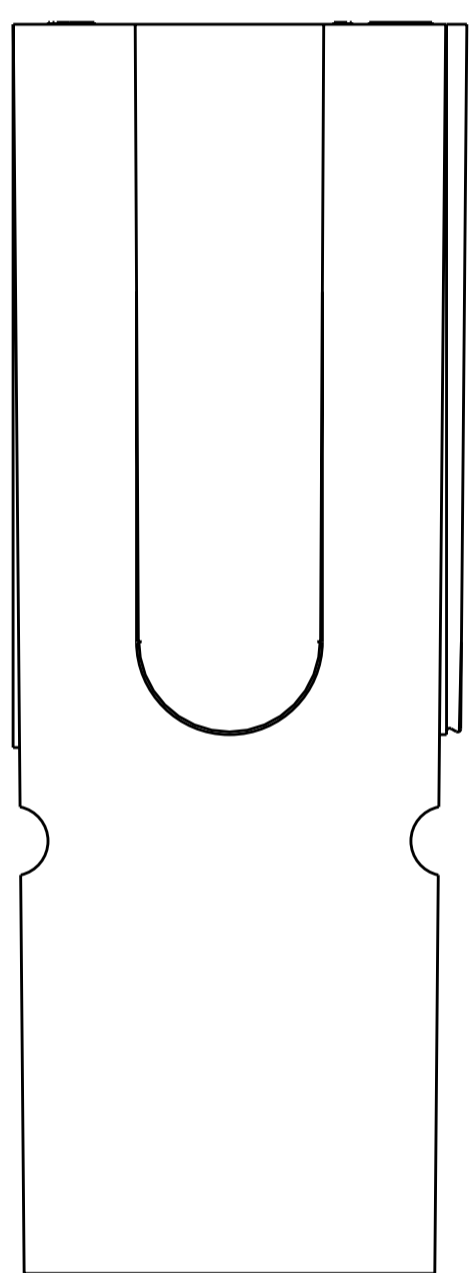
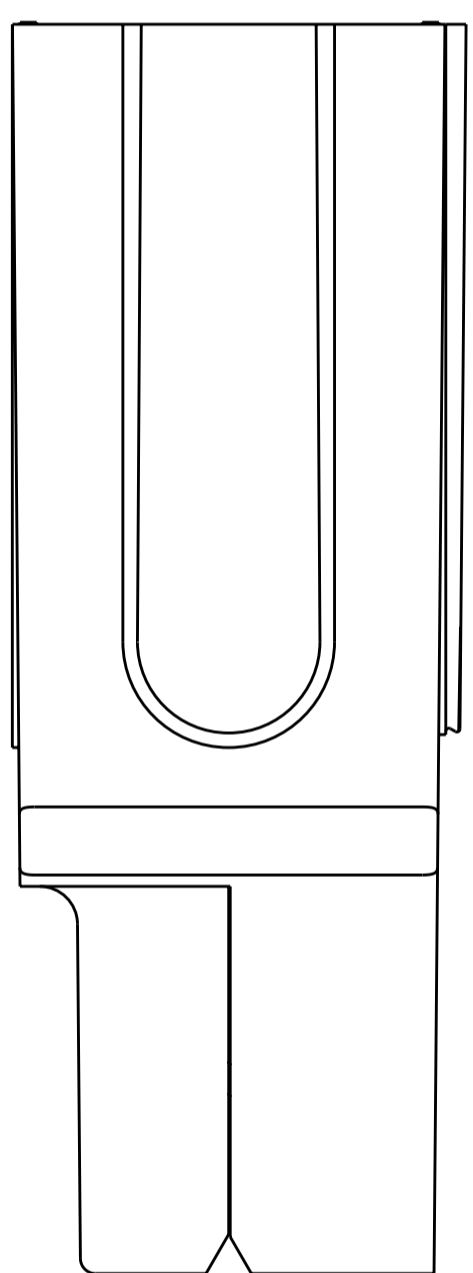
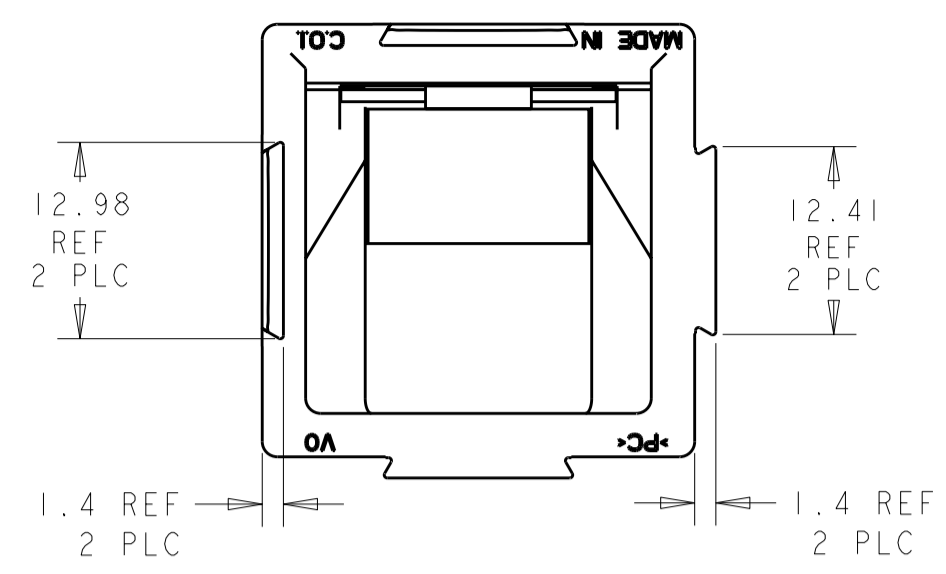


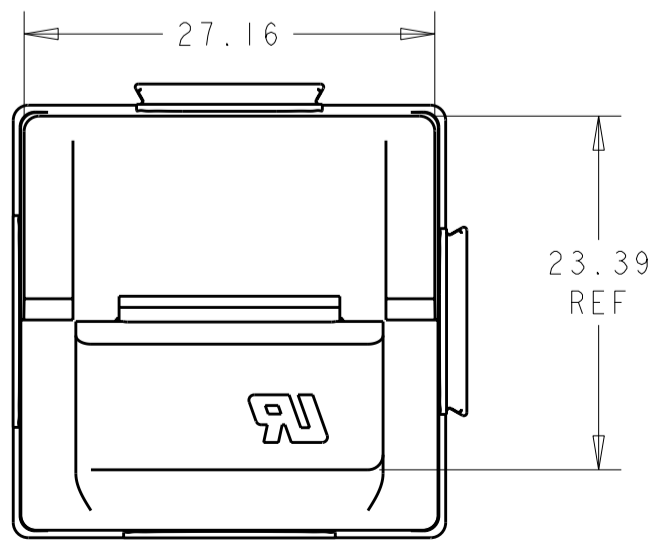
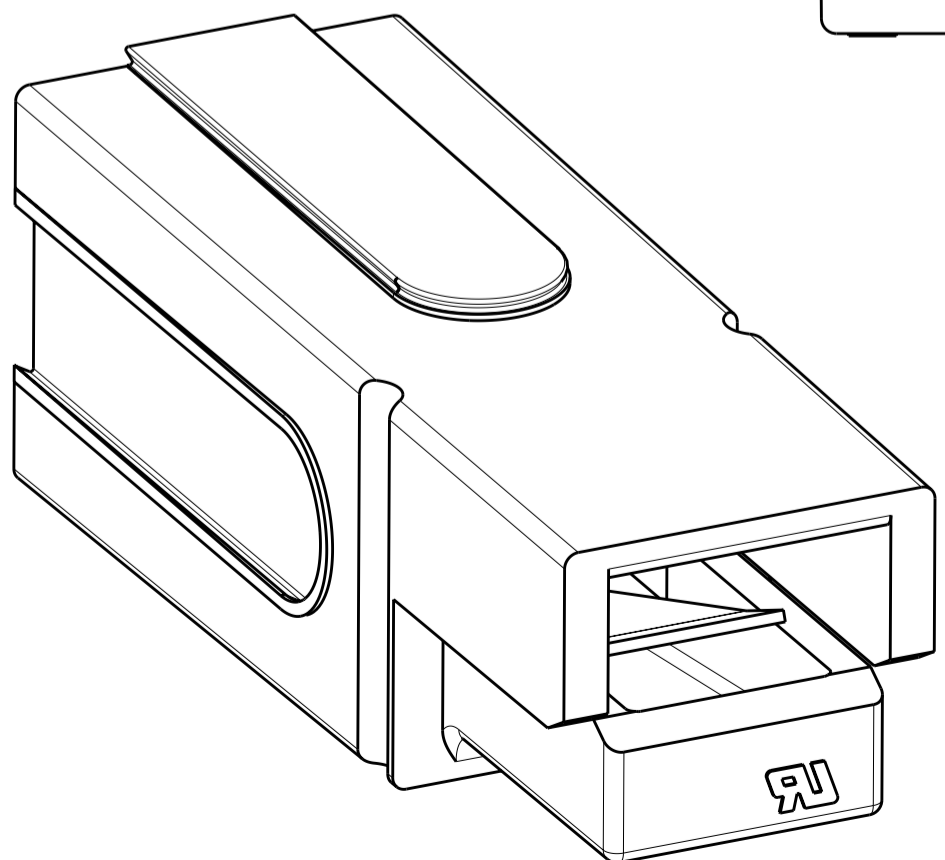
THIS DRAWING IS UNPUBLISHED. RELEASED FOR PUBLICATION 20
 © COPYRIGHT 20 BY TYCO ELECTRONICS CORPORATION. ALL RIGHTS RESERVED.

LOC	DIST	REVISIONS			
P	LTR	DESCRIPTION	DATE	DWN	APVD
CM	0	01	REVISED PER ECR-10-010379	24MAY2010	HMR JR



THIS PRODUCT HAS PASSED VERIFICATION AND AGENCY APPROVALS TESTING AND IS COMPONENT RECOGNIZED PER UL 1977. TYCO ELECTRONICS PRODUCT QUALIFICATION TESTING IS NOT YET COMPLETED.

GREEN	1604062-5
RED	1604062-4
WHITE	1604062-3
BLACK	1604062-2
BLUE	1604062-1
HOUSING COLOR	ASSEMBLY PART NO



METRIC

THIS DRAWING IS A CONTROLLED DOCUMENT FOR TYCO ELECTRONICS CORPORATION. IT IS SUBJECT TO CHANGE AND THE CONTROLLING ENGINEERING ORGANIZATION SHOULD BE CONTACTED FOR THE LATEST REVISION.		DWN B. D. YOHN 9SEPT2002	Tyco Electronics Harrisburg, PA 17105-3608	
DIMENSIONS: mm		CHK W. H. BERNHART 9SEPT2002	NAME SUB-ASSY, HOUSING WITH SPRING 180 AMP SINGLE POLE POWER PRODUCT	
TOLERANCES UNLESS OTHERWISE SPECIFIED: 0 PLC ±0.13 1 PLC ±0.13 2 PLC ±0.13 3 PLC ±0.13 4 PLC ± ANGLES ± FINISH		APVD W. H. BERNHART 9SEPT2002	RESTRICTED TO	
MATERIAL		PRODUCT SPEC	SIZE A2	CAGE CODE 00779
		APPLICATION SPEC	DRAWING NO 1604062	SCALE 2:1
		WEIGHT	SHEET OF 1	
		CUSTOMER DRAWING	REV 01	