

ONLY FOR REFERENCE

Standard Spec Sheet

| | |
|-----------------------|-----------------------|
| Mitsumi Model Name | SOF-242HNT |
| Mitsumi Model No. | R 66 7075 |
| Operating Force/ Boss | 1.6N / Without |
| Mounting Height | 1.0mm |
| Pcs/Reel | 5,000 |

This specification is only for reference. If you have any questions for the details, please contact SW engineering division.
For your adopting the products, the formal supply specification will be provided.

MITSUMI ELECTRIC CO.,LTD.

2-11-2, Tsurumaki, Tama-shi. Tokyo 206-8657 Japan.

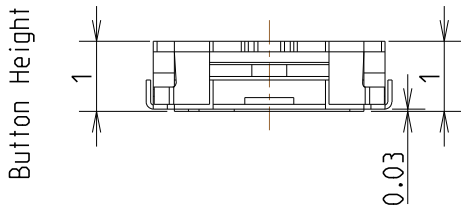
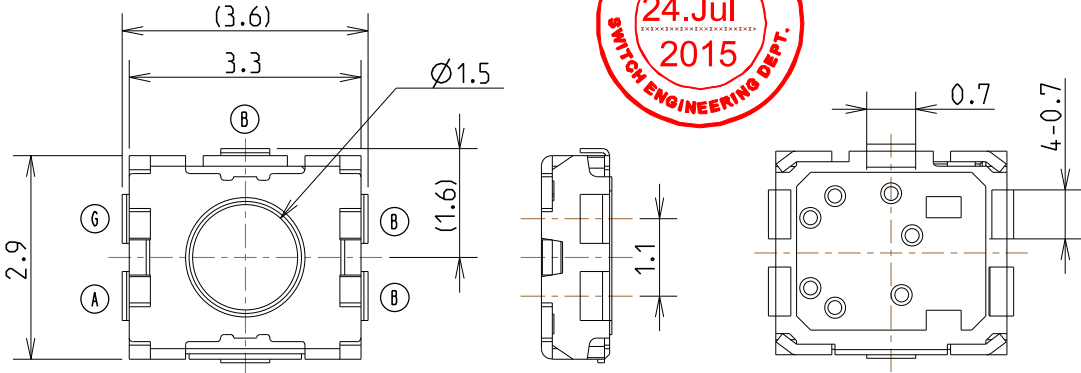
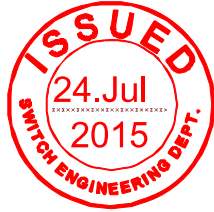
SWITCH ENGINEERING SECTION

1049, Tateiwa, Iizuka-shi. Fukuoka 820-8533 Japan.

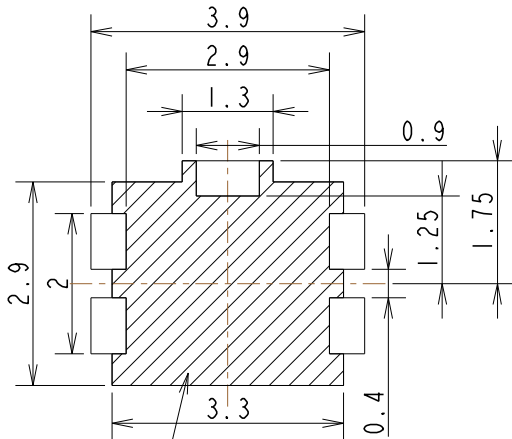
| | | | | | | |
|----|------------------|---|----------------------|--|---|---|
| 10 | S707 File No. | Specification Tactile Switches SOF-242HNT | | Approved SW Eng. Mar.10.'09 Terashita | Checked SW Eng. Mar.10.'09 Kawaguchi | Drawn SW Eng. Mar.10.'09 Kikuchi |
| | | Customer's Name | Customer's Parts No. | General Specification | Issued Mar.10.'09 | |
| - | | - | | S66-1452 | | |

- 1) The items stipulated in this specification are prior to the "General Specification".
- 2) When not stipulated in this specification the items "General Specification" are applied.
- 3) Base color:Black, Button color:Black

RoHS Compliant
(2011/65/EU)



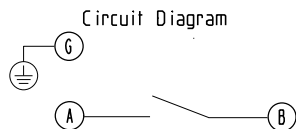
Reference Land Dimension



Do not pattern on hatching area.

△ The Thickness of Solder Stencil :100 [μm]

| | |
|--------------------|---------------------------------------|
| Operating Force | 1.6±0.5 [N] |
| Return Force | 0.2 [N] Min |
| Travel | 0.12±0.1 [mm] |
| Contact Resistance | 1.0 [Ω] Max |
| △ Max Rating | 50 [mA],12 [V DC] (Resistive load) |
| △ Operating Life | 100,000 [cycles] |



We do not guarantee an electrical contact between ⑥ terminal and cover. But an insulation distance between them is designed to be shortest. So, ⑥ terminal can be used as an earth terminal.

| | |
|------------------------------|---|
| Environmental Classification | G |
| Parameter sheet result | N |
| Development Class | 2 |

| | | | | | | | |
|----------------|----------------|--|------------|------------------------|----------|-----------|-------------------|
| Revision | | | | Third Angle Projection | Scale | Tolerance | Assembly Drwg No. |
| | △x3 | Divide into English and Japanese. Added max rating and Operating Life. | Jul.13.'15 | | Eguchi | 10/1 | ±0.15 |
| Product.Manual | Inspect.Manual | Model Code | Code | Indent.No. | File No. | | |
| Q66-0663 | 166-8443 | 9252 | R | 66 | 7075 | 01 | |

| | | | | |
|-------------|--|---------------------------------|---------------------------------|-------------------------------|
| 1452 | General Specification With Button Tactile Switch SOF Series | APPROVED | CHECKED | WRITTEN |
| | | Mar.10th.'09 SW Terashita | Mar.10th.'09 SW Kawaguchi | Mar.10th.'09 SW Kikuchi |
| | | Issued Mar. 10th, 2009 | | |

1. GENERAL SCOPE

1-1 THE SCOPE OF APPLICATION

This specification covers the general requirements of mechanical and electrical characteristics of With Button Tactile Switch mainly used as signal switch of electric devices.

1-2 TEST CONDITIONS

Tests and measurements shall be made in the following standard conditions unless otherwise specified.

Normal temperature : 5 to 35 degrees C

Normal humidity: Relative humidity 45 to 85%

In case any question arises from the judgment made, tests shall be conducted the following conditions.

Temperature : 20+/-2 degrees C, Humidity: 65 +/- 5%

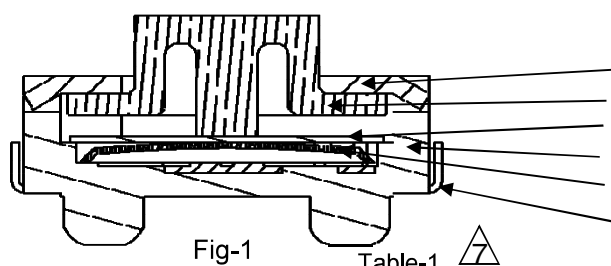
2. APPEARANCE AND CONSTRUCTION

2-1 Outer dimensions: Refer to the attached drawing.

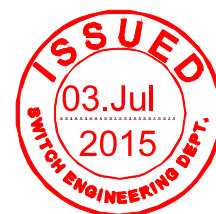
2-2 Materials: As shown in Table-1.

2-3 Appearance: There should be no critical crack, scratch, dirt, discoloration and contamination which affect the functional characteristics of the switch. If these problems don't affect the characteristics, the switch can be judged as a good one.

2-4 Cross section



- (1) COVER
- (2) BUTTON Δ4
- (3) COVER TAPE
- (4) BASE
- (5) CLICK SPRING
- (6) TERMINAL



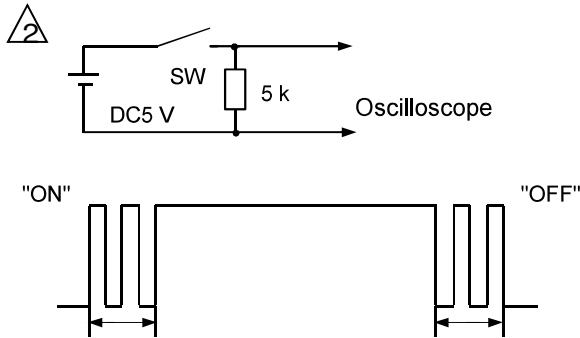
| Part Name | Material | Remarks |
|------------------|------------------|---------|
| (1) COVER | SUS | |
| (2) BUTTON Δ4 | Nylon | |
| (3) COVER TAPE | Polyimide | |
| (4) BASE | Nylon | |
| (5) CLICK SPRING | dia. 2.4 mm, SUS | Ni + Ag |
| (6) TERMINAL | Phosphor bronze | Ag clad |

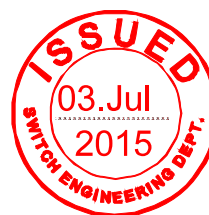
*This switch applies to RoHS Compliance.(2011/65/EU)

3. RATING Refer to the attached drawing.

| | | | | | | | | | | | |
|----------|--------------|---|--|---------|---|------|--------|----------|----------|-----------|-------------|
| Revision | △7×4 | Jul.1st.'15 | Correct Table-1,10-17,11-2 | Eguchi | <table border="1"> <tr> <td>Code</td> <td>ID No.</td> <td>File No.</td> </tr> <tr> <td style="font-size: 2em;">S</td> <td style="font-size: 2em;">66</td> <td style="font-size: 2em;">1452</td> </tr> </table> | Code | ID No. | File No. | S | 66 | 1452 |
| | Code | ID No. | File No. | | | | | | | | |
| | S | 66 | 1452 | | | | | | | | |
| | △6×5 | Jun.3rd.'15 | Changed 2-4,3,6-1,11-2 | Eguchi | | | | | | | |
| | △5×3 | Dec.25th.'14 | Changed 4-4,8-1. Added 10-17 precaution in use. | Eguchi | | | | | | | |
| | △4×2 | Jul.5th.'13 | Collected error (Slider => Button) | Koutake | | | | | | | |
| △3×2 | Apr.22th.'13 | Deleted item11 and 13-3) | Koutake | | | | | | | | |
| △2×2 | Dec.16th.'11 | Added push rod shape (SOF-242HST / HNT) | Koutake | | | | | | | | |
| △1 | Apr.15th.'09 | Revisions | Kikuchi | | | | | | | | |

4. ELECTRICAL CHARACTERISTICS

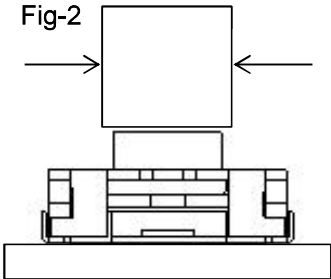
| Items | Test conditions | Criteria |
|---------------------------------|---|--|
| 4-1 Contact Resistance | Placing the switch such that the direction of switch operation is vertical and applying a below static load to the operating direction, measurement shall be made. (1)Depression : 1.5 to 2 times the operating force of the standard center value. (2)Measuring method : To be measured with A.C. 1 kHz +/- 200 Hz (MAX. 20 mV, 50 mA) | Refer to the attached drawing. |
| 4-2 Insulation Resistance | Measurements shall be made following the test set force below: (1)Test voltage : 100 V DC for 1 min. (2)Applied position : Between all terminals, between terminal and cover. | 10 M ohm min. |
| 4-3 Withstanding Voltage | Measurements shall be made following the test set force below (1)Test voltage : 100V AC (50/60 Hz) for 1min. (2)Leak current : 2 mA (3)Applied position : Between all terminals, between terminal and cover. | There shall be no damage and breakdown. |
| 4-4 Bouncing | Lightly striking the center of the knob at a rate encountered in normal use (3 to 4 operations per sec.), bounce shall be tested at "ON" and "OFF".  | ON bounce : 10 ms. Max. OFF bounce: 10 ms. Max. |

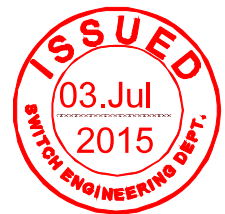


File No.

1452

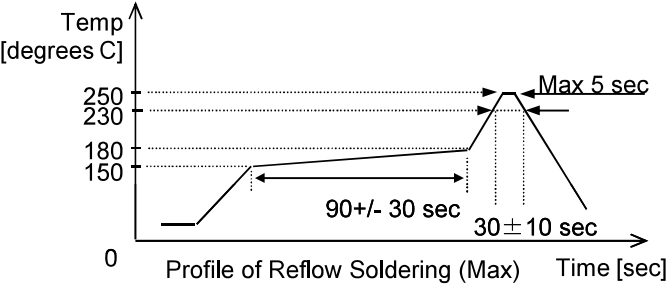
5. MECHANICAL CHARACTERISTICS

| Items | Test conditions | Criteria |
|--------------------------------|--|---|
| 5-1 Operating Force | Placing the switch such that the direction of switch operation is vertical and then gradually increasing the load applied to the center of the stem, the maximum load required for the switch to come to a stop shall be measured. The measurement shall be made just after 10 times pushing. | Refer to the attached drawing. |
| 5-2 Return Force | The sample switch is installed such that the direction of switch operation is vertical and, upon depression of the stem in its center the whole travel distance, the force of the stem to return to its free position shall be measured. The measurement shall be made just after 10 times pushing. | Refer to the attached drawing. |
| 5-3 Travel | Placing the switch such that the direction of switch operation is vertical and then applying a static load to the center of the stem, the travel distance for the switch to come to a stop shall be measured. The measurement shall be made just after 10 times pushing. | Refer to the attached drawing. |
| 5-4 Stopper Strength | Placing the switch such that the direction of switch operation is vertical and then a below static load shall be applied in the direction of stem operation. 1) Depression: 30 N 2) Time: 15 s 3) Push rod shape: dia. 2.0 with flat tip dia. 1.0 with flat tip (SOF-242HST / HNT) Fig-2  | There shall be no sign of damage mechanically and electrically. |
| 5-5 Impact Proof | Measurements shall be made following the test set forth below. 1) Acceleration: 735 m/s ² 2) Acting time: 6 msec 3) Test direction: 6 directions 4) Cycles of test: 3 cycles per direction (18 cycles in total) | There shall be no sign of damage mechanically and electrically. |
| 5-6 Vibration Resistance | Measurements shall be made following the test set forth below. 1) Range of oscillation: 10 to 55 Hz 2) Amplitude, pk-to-pk: 1.5 mm 3) Cycle of sweep: 10-55-10 Hz in approx. 1 minute 4) Mode of sweep: Logarithmically sweep or uniform sweep 5) Direction of oscillation: Three mutually perpendicular directions, including the direction of stem travel 6) Duration of testing: 2 hours each, for a total of 6 hours | There shall be no sign of damage mechanically and electrically. |



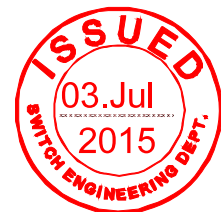
File No.

1452

| Items | Test conditions | Criteria |
|--|--|--|
| 5-7 Solderability | Measurements shall be made following the test set force below: 1) Soldering temperature: 230 +/- 5 degrees C 2) Soldering time : 3 +/- 0.5 seconds 3) Solder : Sn-3.0Ag-0.5Cu 4) Soldering flux : Rosin 25%, Alcohol 75% | More than 75% of the dipped part shall be covered with solder. |
| 5-8 Soldering heat Resistance | 1) Hand soldering 1-1) Temperature of soldering iron tip: 350 +/- 5 degrees C 1-2) Soldering time: 3 +1/-0 seconds 1-3) The soldering iron should be applied to the terminals. 1-4) Excessive load should not be applied. 1-5) Power of the soldering iron should not exceed 15 W. 2) Reflow soldering 2-1) Heating method: Far-infrared heating 2-2) Temperature-time profile (Maximum value): As shown below. 2-3) Allowable soldering time: 2 times  <p style="text-align: center;">Profile of Reflow Soldering (Max)</p> <p>The condition mentioned above is a temperature on the PWB/FPC surface on which parts are mounted. There are cases where board's temperature greatly differs from switch's surface temperature, depending on board's material, size, thickness, etc. Please care, therefore, should be used not to allow switch's surface temperature to exceed 250 degrees C. The above temperature profile is the conditions for heat resistance test. Therefore, conditions of soldering shall be confirmed under actual production conditions.</p> | There shall be no damage on appearance. Electrical performance in Section 4 shall be assured. Operating force (Item 5-1) shall be assured. |

5-9 Other precautions for soldering


- 1) Do not overheat when you solder with soldering iron.
- 2) Following the soldering process, do not clean the switch with a solvent or the like.
- 3) Safeguard the switch assembly against flux penetration from its top side.
- 4) As the conditions vary somehow on the kind of reflow soldering equipment, please make sure you have the right one before use.
- 5) As the click ratio may deteriorate when a high heat load is applied, reflow soldering should be performed in the shortest period and at the lowest temperature possible.
- 6) Please use the proper amount of solder in order to prevent the flux penetration into the switch.
- 7) Switch terminals and PWB/FPC upper face shall be free from flux prior to soldering.
- 8) Note that if the load is applied to the terminals during soldering it might cause deformation and defects in electrical performance.



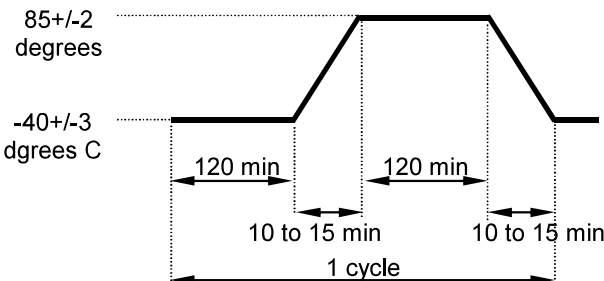
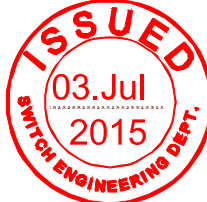
File No.

1452

6. ENDURANCE

| Items | Test conditions | Criteria |
|--------------------------|--|---|
| 6-1 Operating Life | Measurements shall be made following the test set forth below : (1) DC12 V 50 mA resistive load. (2) Rate of operation: 2 operations per second. (3) Depression: : The maximum load of a specification of the operating force. (4) Cycles of operation: Refer to the attached drawing.  (5) Pusher : Material SUS, dia. 4.0 Tip: flat shape | Contact resistance: 1 ohm max. Insulation resistance: 10 M ohm min. Bounce: ON bounce 20 msec max. OFF bounce 20 msec max. Withstanding voltage: Item 4-3 Operating force: -30 to +30% of initial force Travel: Item 5-3 |

7. ENVIRONMENTAL

| Items | Test conditions | Criteria |
|-------------------------------|--|---|
| 7-1 Humidity Resistance | After testing at +60+/-3 degrees C and 90 to 96% in relative humidity for 96 +/-5 hours, the sample is allowed to stand under normal temperature and humidity conditions within an hour, then, measurement shall be made within an hour. *Water drops shall be removed. | Contact resistance: 1 ohm max. Insulation resistance: 10 M ohm min. Bounce: ON bounce 20 msec max. OFF bounce 20 msec max. Withstanding voltage: Item 4-3 Operating force: -30 to +30% of initial force |
| 7-2 Heat Resistance | After testing at +85+/-3 degrees C for 96 +/-5 hours, the sample is allowed to stand under normal temperature and humidity conditions within an hour, then, measurement shall be made within an hour. | Travel: Item 5-3 |
| 7-3 Cold Resistance | After testing at -40+/-3 degrees C for 96 +/-5 hours, the sample is allowed to stand under normal temperature and humidity conditions within an hour, then, measurement shall be made within an hour. *Water drops shall be removed. | |
| 7-4 Temperature Cycling | Following continuous five cycles of the temperature cycling test set forth below:  |  |

File No.

1452

8. USE CONDITIONS



8-1 Operating temperature range: -10 to +60 degrees C.

(Temperature range which switch is electrically ON and OFF).

8-2 Using Environment

- 1) Do not expose the switch to corrosive gas such as sulfur gas, and salty wind.
- 2) Visible dust must be cleared.
- 3) As the switch may deform and change its quality, please do not apply excessive force to the switch.

9. STORAGE CONDITIONS

9-1 Storage temperature: -25 to 85 degrees C. No freeze and condensation.

9-2 Using Environment

- 1) Do not expose the switch to corrosive gas such as sulfur gas, and salty wind.
- 2) Visible dust must be cleared.
- 3) As the switch may deform and change its quality, please do not apply excessive force to the switch.

9-3 Storage Method

- 1) Store the switches in the following condition: with neither direct sunshine nor corrosive gas and in normal temperature.
- 2) Do not stack too many switches for strafe. Shall be free from high temperature and high humidity.
- 3) The operating part of the switch should be free position in storage.

10. PRECAUTIONS IN USE

10-1 Do not clean the switch with a solvent or the like.

10-2 Never use the product beyond the rated current and voltage.

10-3 Do not apply excessive load to the terminals and the operating part.

10-4 Larger stress than specified and/or shock shall not be applied to the operating part.

10-5 The stress shall be not applied to the upper face of the switch.

10-6 The switch will be broken, if you give larger stress than specified while operating.

Take most care not to give both upward and downward stress to the switch when you operate it.

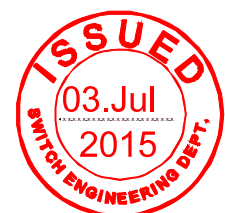
10-7 As the switch may be broken, please do not apply a load of more than 5 N to the switch bosses.

10-8 After mounting the switches on PWB/FPC, please do not stack too many PWB/FPC in order to avoid excessive load to the switch mounted area.

10-9 The dimensions of a pattern for mounting a printed circuit board shall refer to the recommended dimensions in the outline drawing.

10-10 Use of organic acid flux shall be avoided because it may cause corrosion of the switch.

Please make sure the type of flux before you use it.



File No.

1452

- 10-11 As this switch is designed for reflow soldering, if you place it at the edge of PWB/FPC for convenience then flux may get into the sliding part of the switch during automatic dip soldering after being mounted, so do not apply auto dip after being mounted.
- 10-12 If the switch is given stress from the side, the cover may drop off and it may result in damages to switch functions. Therefore, please handle it with extreme care.
- 10-13 The operating part should be moved to the appointed position in order to ensure proper operation.
- 10-14 Do not give stress to the upper face of the switch while operating and use the switch under given stress.
- 10-15 If you use this product in one of the following environmental conditions, progress of sulfuration and oxidization on the contact part (silver) will be accelerated, which may cause contact failure. Therefore, be careful about the operation environment.
 - 1) Around a sulfarate hot spring where sulfide gas is generated.
 - 2) In case this product is always used in a place where exhaust gas from automobiles exist.

10-16 If you push the edge of stem, the switch might not operate properly.
An actuator to push the stem of switch in device case needs to be designed to touch the whole surface of the stem evenly. (Fig-3)

10-17 Unless provided for otherwise, the products have been designed and manufactured for application in equipment and devices which are sold to end users in the market, including audio-visual (AV) equipment, electrical home appliances, office machines, information and communication equipment, and amusement equipment.

The products are not intended for use in, and must not be used for, any application for nuclear equipment, driving equipment for aerospace or any other unauthorized use. With the exception of the abovementioned prohibited applications, please contact our sales representative and/or evaluate the total system regarding applicability for applications involving high levels of safety and liability such as medical equipment, burglar alarm equipment, disaster prevention equipment and undersea equipment. Please also incorporate fail-safe design, protection and redundant circuitry, malfunction protection, and/or fire protection into the complete system to ensure safety and reliability of the total system.

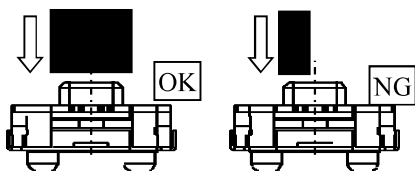
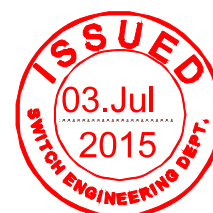


Fig-3



File No.

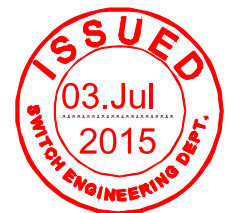
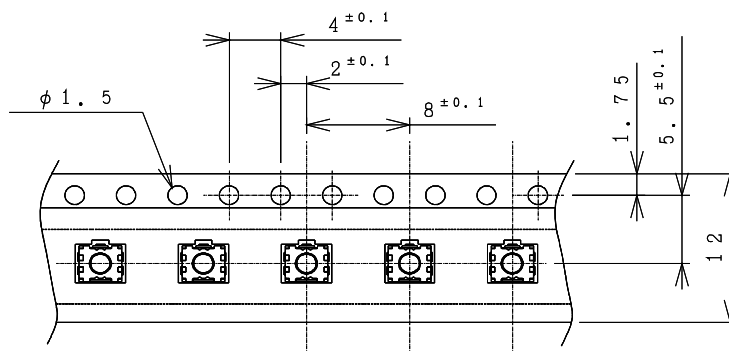
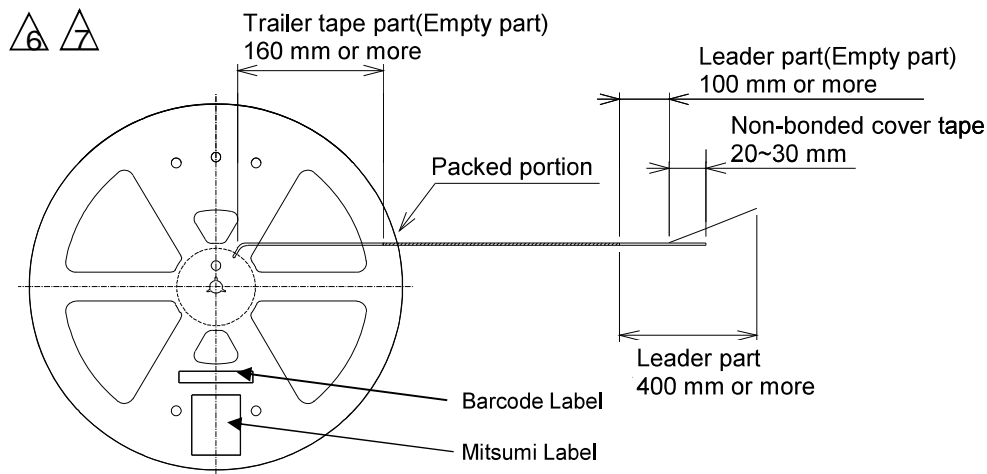
1452

12. TAPE PACKING SPECIFICATION

12-1 Carrier tape dimensions are shown below.

12-2 Taping Procedure

- 1) Tape winding direction is in clockwise.
(When pulling the tape toward, feeding holes should be located on the right side.)
- △₆ 2) Feeding holes shall not be covered with the cover tape.
The cover tape shall not be run off the edge of the carrier tape.
- △₇ 3) At the beginning of reel (the trailer tape part), 160 mm or more shall be empty.
The leader part shall be 400 mm or more and it shall include 100 mm or more of empty part.
At the end of the leader part, 20 mm to 30 mm of the cover tape shall be not bonded to the carrier tape.
- 4) After reeling, stick the leader part of cover tape to the side of the reel with adhesive tape (30 to 50 mm)
- 5) Peeling strength of cover-tape from carrier-tape is 0.1 to 1.3 N at 165 to 180 deg. angle in reverse.
- 6) Switch shall be packed in single direction.
- 7) 5,000(SOF-242***, 262***) or 4000(SOF-232***) switches shall be pack in a reel.
- 8) The label which indicates our model number, part number, contained quantity and inspection numbershall be stuck on the side of the reel.
- △₁ 9) The switch shall drop by itself when it is pushed with a force of 0.1 to 0.2 from the back after peeling the cover tape.

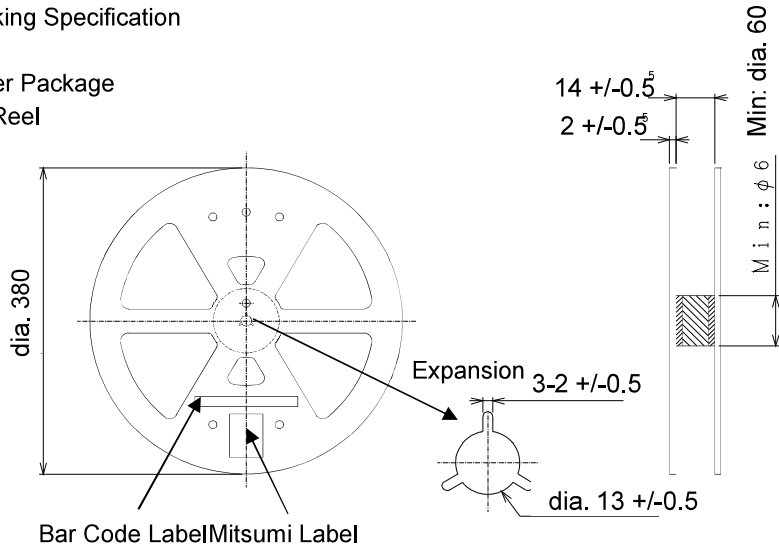


File No.

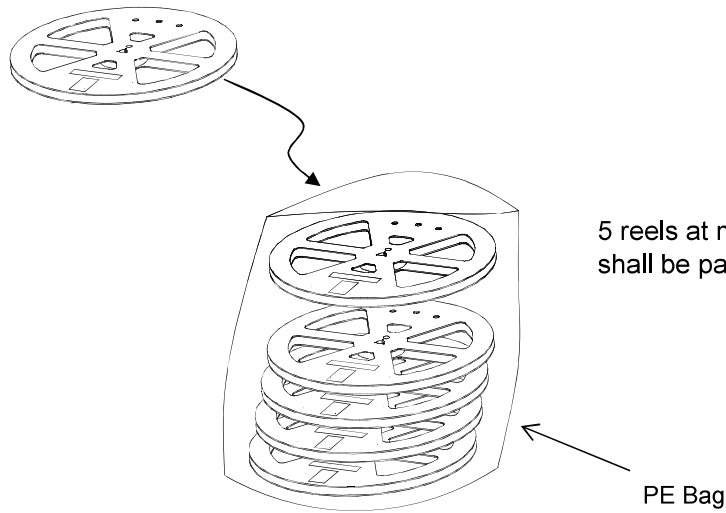
1452

13. Packing Specification

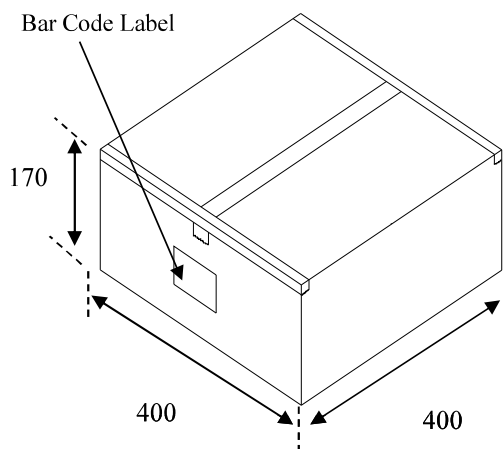
1) Inner Package
Reel



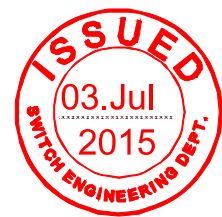
The material of a reel : PS



2) Outer package
Outer Box



5 reels at maximum shall be packed in a outer package.



File No.

1452