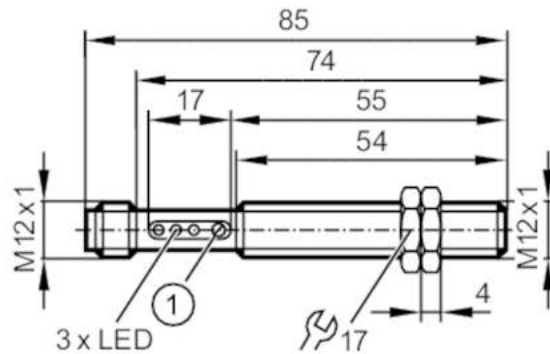


OF5025



Retro-reflective sensor

OFP-FPKG/US-100



1 potentiometer



Product characteristics

Type of light	red light
Housing	threaded type

Application

Special feature	polarisation filter; Function check output
Function principle	Retro-reflective sensor

Electrical data

Operating voltage [V]	10...36 DC
Current consumption [mA]	< 35
Protection class	II
Reverse polarity protection	yes
Type of light	red light
Wave length [nm]	660

Outputs

Electrical design	PNP
Output function	light-on/dark-on mode; (programmable)
Max. voltage drop switching output DC [V]	2.5
Function check output	yes
Max. voltage drop of function check output [V]	3.5
Max. current load for function check output [mA]	10
Permanent current rating of switching output DC [mA]	200
Switching frequency DC [Hz]	320
Short-circuit protection	yes
Type of short-circuit protection	pulsed
Overload protection	yes

Detection zone

Range referred to prismatic reflector [m]	0.2...0.8; (Prismatic reflector Ø 80 E20005)
---	--

OF5025



Retro-reflective sensor

OFP-FPKG/US-100

Range adjustable	yes
Max. light spot diameter [mm]	70
Light spot dimensions refer to	at maximum range
Polarisation filter available	yes

Operating conditions

Ambient temperature [°C]	-25...60
Protection	IP 65

Tests / approvals

EMC	EN 60947-5-2	
	EN 55011	class B
MTTF [years]	615	

Mechanical data

Weight [g]	40.3
Housing	threaded type
Dimensions [mm]	M12 x 1 / L = 74
Thread designation	M12 x 1
Materials	housing: brass white bronze coated
Lens material	PMMA

Displays / operating elements

Display	switching status	1 x LED, yellow
	operation	1 x LED, green
	function	1 x LED, red

Accessories

Items supplied	lock nuts: 2 x screwdrivers
----------------	--------------------------------

Remarks

Pack quantity	1 pcs.
---------------	--------

Electrical connection

Connector: 1 x M12; coding: A

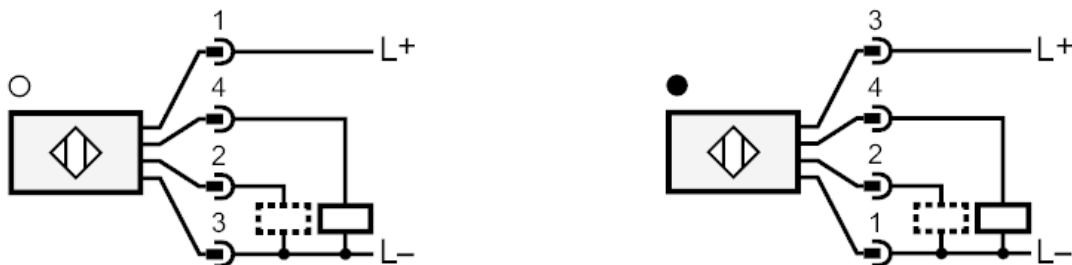




Retro-reflective sensor

OFP-FPKG/US-100

Connection



2 Function check output

Diagrams and graphs

excess gain graph

