

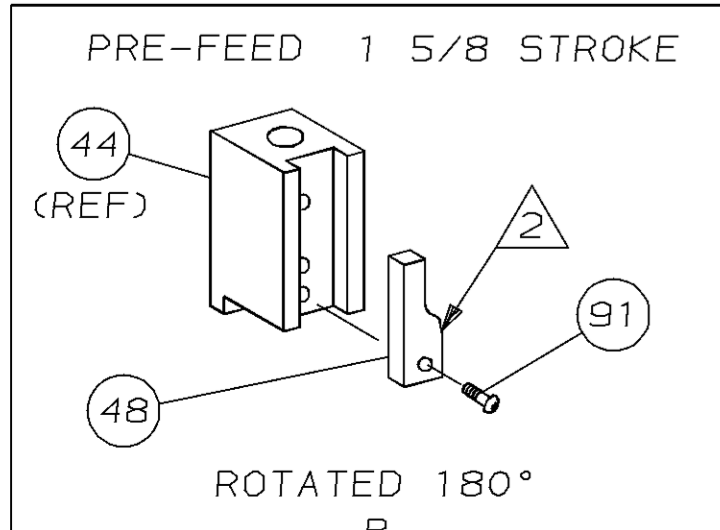
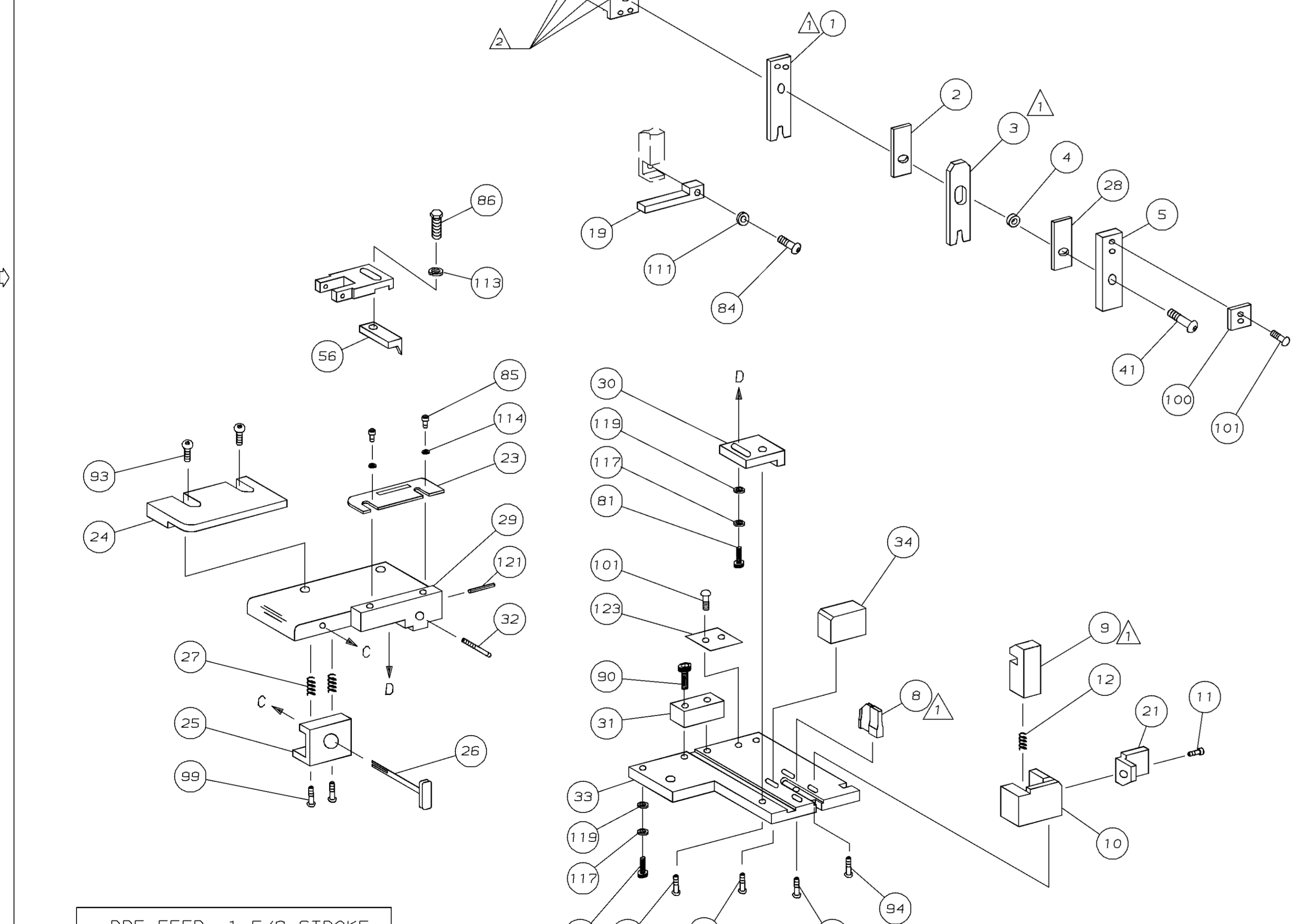
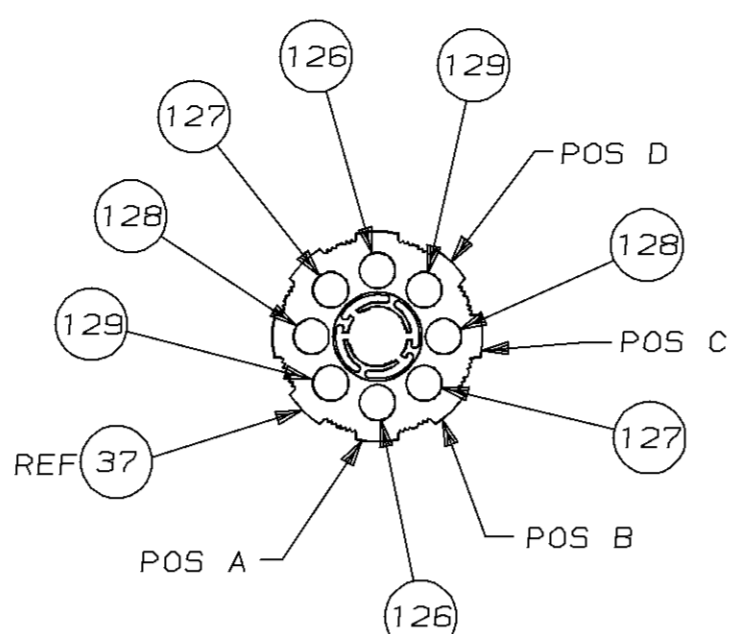
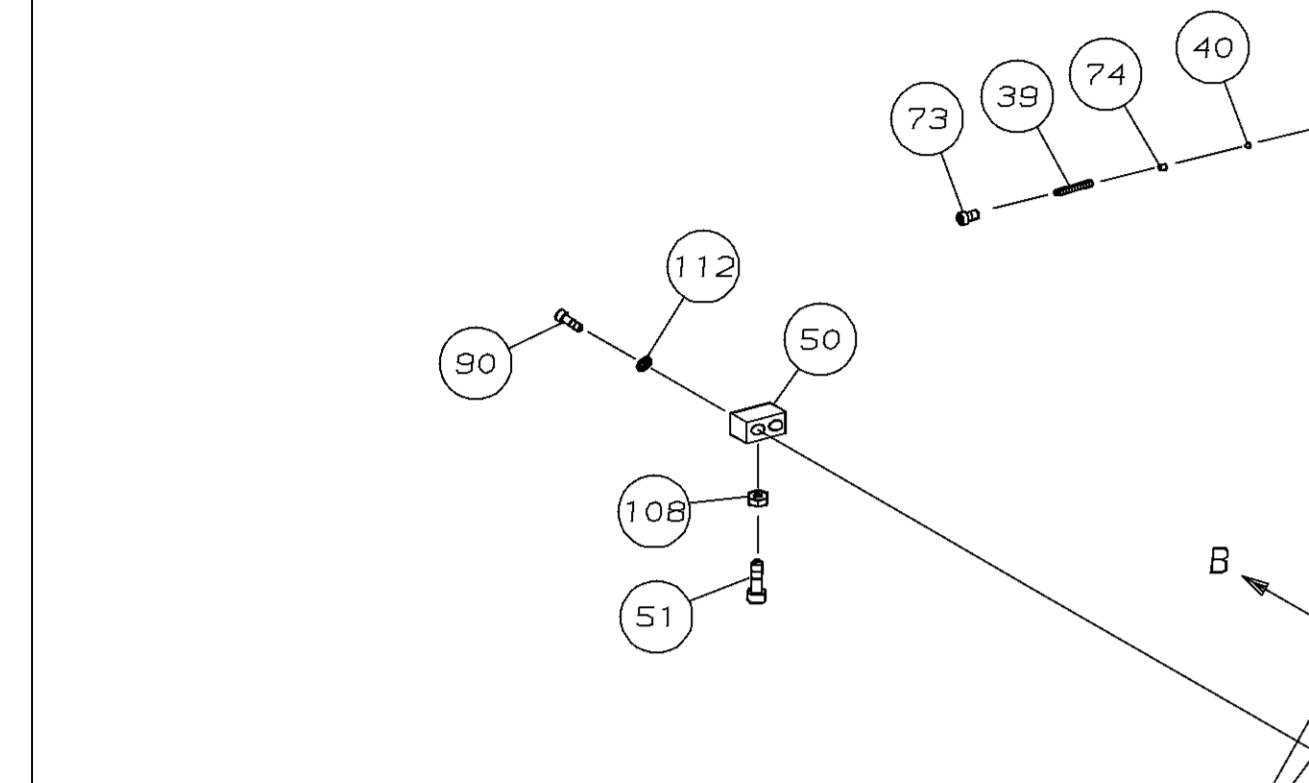
PART NUMBER	REV	FIRST USED
466908 -2	L	854040-3

TERMINAL NAME:		CRIMPING DATA		
CONTACT TYPE 111, V1 & X		VISIBLE PAD LTR	CRIMP HEIGHT	WIRE SIZE
PIN	SOC	A	NOT	USED
66106	66108	B	NOT	USED
66188	66190	C	.033 ± .002	24
66294	66295	D	.031 ± .002	26 OR 28
66585	66586	CRIMP	SIZE	TYPE
66672	66663	WIRE	.055	F
	66491	INSUL	.070	0
		FEED	.500	APPL INST
				SEE CUSTOMER MANUAL
				SET UP GAGE
				NONE
				LAYOUT
				163
				WIRE STRIP LENGTH
				-

QTY	REV	DESCRIPTION	ITEM NO
			129
			128
2	-	C 7-354779-0 PIN, WIRE DISC (.3340)B	127
2	-	C 6-354779-6 PIN, WIRE DISC (.3320)A	126
1	-	A 986950-1 WASHER, FLAT PRECISION	125
			124
1	-	B 690701-2 PLATE, SERIAL NO.	123
			122
1	-	A 4-21028-0 PIN, SLT SPR (Ø.093x.75) ST GDE PL	121
			120
2	-	A 21899-2 WASHER, FLAT (#10) S G ADJ BLK	119
			118
2	-	A 21024-5 WASHER, LOCK (#10) ADJ BLOCK	117
			116
			115
2	-	A 21024-2 WASHER, LOCK (#4) FRONT STP GUIDE	114
REF	-	A 21024-4 WASHER, LOCK (#8) FEED FINGER	113
2	-	A 21024-4 WASHER, LOCK (#8) DEP-HOLD	112
REF	-	A 21024-4 WASHER, LOCK (#8) STRIPPER	111
			110
			109
1	-	A 21018-5 NUT, HEX (#6) HOLD DOWN	108
			107
			106
			105
			104
1	-	A 21009-2 SCR, SKT SET (1/4-20x.25 LW) RAM	103
			102
4	-	A 21017-2 SCR, DRIVE (#2x.19) ID PLATE	101
1	-	B 819347-1 PLATE, IDENTIFICATION	100
2	-	A 3-21002-0 SCR, BHC (10-32x.88) DRAG	99
1	-	A 22733-8 SCR, BHC (8-32x.38 LW) ANVIL	98
			97
1	-	A 3-21000-8 SCR, SHC (10-32x.88) MOUNTING	96
1	-	A 2-21002-7 SCR, BHC (10-32x.50) S G ADJ BLK	95
1	-	A 22733-9 SCR, BHC (8-32x.50) SHEAR-TERM SUP	94
6	-	A 2-21002-2 SCR, BHC (8-32x.50) R STP GDE	93
			92
1	-	A 1-21002-7 SCR, SHC (6-32x.50) CAM	91
4	-	A 2-21000-7 SCR, SHC (8-32x.50) SCR BLK	90
			89
			88
			87
REF	-	A 2-22603-0 SCR, HEX HD (8-32x.31) FEED FINGER	86
2	-	A 1-21000-3 SCR, SHC (4-40x.25) F ST GUIDE	85
REF	-	A 22733-9 SCR, BHC (8-32x.50 SL) STRIPPER	84
			83
			82
1	-	A 3-22603-1 SCR, HEX (10-32x.38) S G ADJ BL	81
			80
			79
			78
2	-	B 463310-7 BLADE, STRIPPING (#24)	77
			76
			75
1	-	A 690603-1 SPRING, ASSIST	74
1	-	A 23030-1 SCR, SKT CAP (6-32x.25) CP DSC	73
			72
			71

SIM TO HDM 466321

QTY	REV	DESCRIPTION	ITEM NO
			70
			69
			68
			67
			66
			65
			64
			63
			62
			61
			60
			59
			58
			57
REF	-	B 694433-8 PAWL, FEED	56
			55
			54
			53
			52
1	-	A 811242-2 BUMPER, HOLDDOWN	51
1	-	A 690753-1 SPACER, TONKER	50
			49
1	-	A 690602-6 CAM, PRE-FEED 1.62 STROKE	48
			47
			46
1	-	A 690191-1 PLUG, NYLON	45
1	-	C 455673-1 RAM	44
1	-	A 690125-1 WASHER, LAMINATED	43
1	-	A 690124-1 WASHER, RAM	42
1	-	A 7-21002-9 BOLT, CRIMPER (5/16x1.00)	41
1	-	A 23241-6 BALL, STEEL	40
1	-	A 690170-1 SPRING, COMPRESSION	39
1	-	C 690142-1 DISC, INSULATION	38
1	-	D 354777-1 WIRE DISC, PLASTIC	37
1	-	A 22480-5 WASHER, SPRING	36
1	-	B 690212-1 POST, RAM	35
1	-	B 692776-1 SUPPORT, TERMINAL	34
1	-	C 462544-1 PLATE, BASE SPECIAL	33
1	-	A 690432-3 SCREW, ADJUSTMENT	32
1	-	B 462543-1 BLOCK, SCREW SPECIAL	31
1	-	B 455689-1 BLOCK, STRIP GUIDE ADJ	30
1	-	C 455671-9 PLATE, STRIP GUIDE	29
			28
2	-	A 1-22284-0 SPRING, DRAG	27
1	-	B 690546-1 LEVER, DRAG RELEASE	26
1	-	B 240792-1 DRAG, TERMINAL	25
1	-	D 5-690504-9 GUIDE, STRIP (REAR)	24
1	-	A 690438-1 GUIDE, STRIP (FRONT)	23
			22
1	-	A 463756-1 GUIDE, SCRAP	21
			20
REF	-	C 462615-1 STRIPPER	19
			18
			17
			16
			15
			14
			13
1	-	A 5-22280-0 SPRING, SHEAR	12
1	-	B 690461-2 STOP, SHEAR (FRONT)	11
1	-	B 462548-1 HOLDER, SHEAR (FRONT) SP	10
1	-	B 462547-1 SHEAR, FLOAT (FRONT) SP	9
1	-	C 8-458834-7 ANVIL	8
			7
			6
1	-	A 462838-1 DEPRESSOR, SHEAR (FRONT) SP	5
1	-	B 238011-7 SPACER, BLOCK CRIMPER	4
1	-	C 1-456135-2 CRIMPER, INSULATION	3
1	-	C 455888-5 SPACER, CRIMPER	2
1	-	C 1-456402-4 CRIMPER, WIRE	1



- 1 RECOMMENDED SPARE PARTS.
- 2 GREASE LIGHTLY.
- 3 ITEM NOT SHOWN

LOC A
DIST 66

DIMENSIONS IN INCHES. DO NOT SCALE PRINT. TOLERANCES UNLESS OTHERWISE SPECIFIED.		MACHINE REF STRIPPER CRIMPER	
DR	2/7/94	APP	2-7-94
D.SALTZER		E.KOOTTE	
2 PLC DEC		3 PLC DEC	
3 PLC DEC		4 PLC DEC	
4 PLC DEC			
NAME	STRIPPER CRIMPER APPLICATOR		
SCALE	DWG NO	466908	SHEET 1 OF 1
REV			L

THIS DRAWING IS A CONTROLLED DOCUMENT FOR AMP INCORPORATED. IT IS SUBJECT TO CHANGE AND THE CONTROLLING ENGINEERING ORGANIZATION SHOULD BE CONTACTED FOR THE LATEST REVISION.

THIS INFORMATION IS CONFIDENTIAL AND IS DISCLOSED TO YOU ON CONDITION THAT NO FURTHER DISCLOSURE IS MADE BY YOU TO OTHER THAN AMP PERSONNEL WITHOUT WRITTEN AUTHORIZATION FROM AMP INCORPORATED, HARRISBURG, PA.

466908