

DC Brushless Fan Motor Driver

# Multifunction Single-phase Full-wave Fan Motor Driver

BD61251FV

**General Description**

BD61251FV is pre-driver IC to drive single phase H bridge output composed of external MOS FET. It incorporates various functions such as speed controllable by PWM, PWM soft switching, Input / output duty slope adjustment.

**Key Specifications**

- Operating Voltage Range: 4.5V to 16V
- Operating Temperature Range: -40°C to +105°C

**Features**

- Pre Driver for External Power MOS FET
- Speed Controllable by PWM
- Input / Output Duty Slope Adjustment
- Silent Drive by the PWM Soft Switching
- Lead Angle Function (Fixed value)
- Soft Start
- Standby Mode
- Current Limit
- Lock Protection and Automatic Restart
- Rotation Speed Pulse Signal(FG)

**Applications**

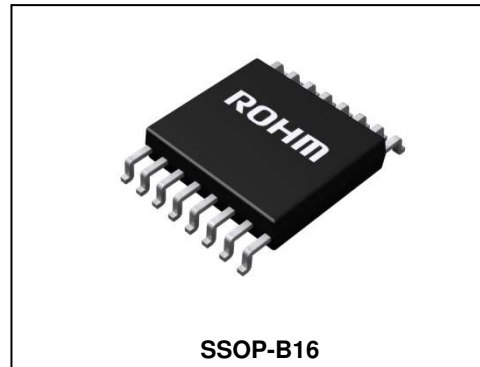
- General consumer equipment of Desktop PC, Server, etc.
- Office equipment, Copier, FAX, Laser Printer, etc.

**Package**

SSOP-B16

W (Typ) x D (Typ) x H (Max)

5.00mm x 6.40mm x 1.35mm



**Typical Application Circuits**

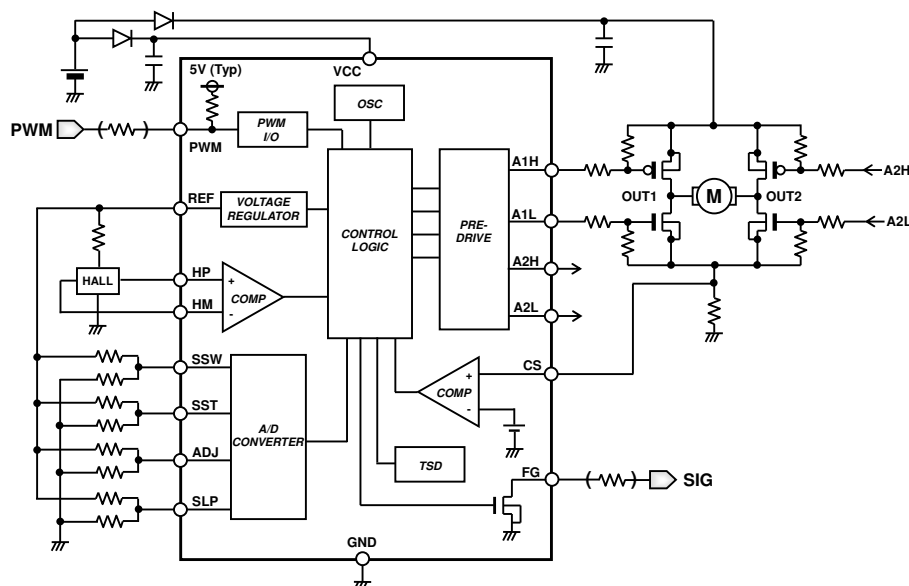
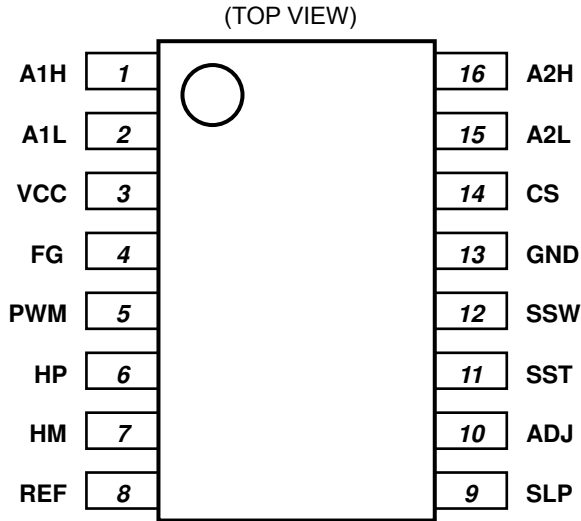


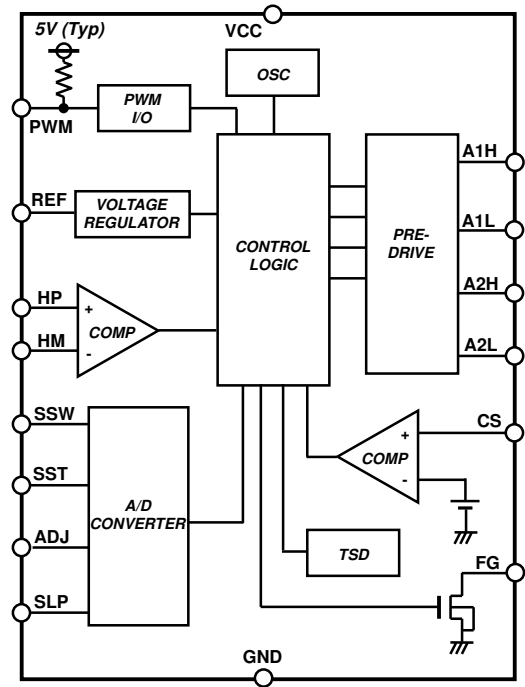
Figure 1. Application of Direct PWM Input

○Product structure : Silicon monolithic integrated circuit ○This product has no designed protection against radioactive rays

Pin Configuration



Block Diagram



Pin Description

Pin No.	Pin Name	Function
1	A1H	High side output 1
2	A1L	Low side output 1
3	VCC	Power supply
4	FG	Speed pulse signal output
5	PWM	PWM signal input
6	HP	Hall signal input +
7	HM	Hall signal input -
8	REF	Reference voltage output
9	SLP	Input-output duty slope setting
10	ADJ	Output duty correction
11	SST	Soft start time setting
12	SSW	Soft switching angle setting
13	GND	GND
14	CS	Current sensing
15	A2L	Low side output 2
16	A2H	High side output 2

**Absolute Maximum Ratings**

Parameter	Symbol	Rating	Unit
Supply Voltage	V <sub>CC</sub>	18	V
Power Dissipation	P <sub>d</sub>	0.88 <sup>(Note 1)</sup>	W
Operating Temperature Range	T <sub>opr</sub>	-40 to +105	°C
Storage Temperature Range	T <sub>str</sub>	-55 to +150	°C
Maximum Junction Temperature	T <sub>jmax</sub>	+150	°C
High Side Output Voltage	V <sub>OH</sub>	V <sub>CC</sub> -7 to V <sub>CC</sub>	V
Low Side Output Voltage	V <sub>OL</sub>	0 to 7	V
Output Current	I <sub>OMAX</sub>	10	mA
Rotation Speed Pulse Signal (FG) Output Voltage	V <sub>FG</sub>	18	V
Rotation Speed Pulse Signal (FG) Output Current	I <sub>FG</sub>	10	mA
Reference Voltage (REF) Output Current	I <sub>REF</sub>	10	mA
Input Voltage1 (PWM, CS)	V <sub>IN1</sub>	5.3	V
Input Voltage2 (HP, HM, ADC input terminal)	V <sub>IN2</sub>	3.3	V

(Note 1) Derate by 7.04mW/°C when operating above Ta=25°C. (Mounted on 114.3mm × 76.2mm × 1.57mm 1layer board)

**Caution 1:** Operating the IC over the absolute maximum ratings may damage the IC. The damage can either be a short circuit between pins or an open circuit between pins and the internal circuitry. Therefore, it is important to consider circuit protection measures, such as adding a fuse, in case the IC is operated over the absolute maximum ratings.

**Caution 2:** Should by any chance the maximum junction temperature rating be exceeded the rise in temperature of the chip may result in deterioration of the properties of the chip. In case of exceeding this absolute maximum rating, design a PCB boards with power dissipation and thermal resistance taken into consideration by increasing board size and copper area so as not to exceed the maximum junction temperature rating.

**Thermal Resistance<sup>(Note 1)</sup>**

Parameter	Symbol	Thermal Resistance (Typ)		Unit
		1s <sup>(Note 3)</sup>	2s2p <sup>(Note 4)</sup>	
SSOP-B16				
Junction to Ambient	θ <sub>JA</sub>	140.9	77.2	°C/W
Junction to Top Characterization Parameter <sup>(Note 2)</sup>	Ψ <sub>JT</sub>	6	5	°C/W

(Note 1) Based on JESD51-2A(Still-Air).

(Note 2) The thermal characterization parameter to report the difference between junction temperature and the temperature at the top center of the outside surface of the component package.

(Note 3) Using a PCB board based on JESD51-3.

Layer Number of Measurement Board	Material	Board Size
Single	FR-4	114.3mm x 76.2mm x 1.57mmt
Top		
Copper Pattern	Thickness	
Footprints and Traces	70µm	

(Note 4) Using a PCB board based on JESD51-7.

Layer Number of Measurement Board	Material	Board Size			
4 Layers	FR-4	114.3mm x 76.2mm x 1.6mmt			
Top		2 Internal Layers		Bottom	
Copper Pattern	Thickness	Copper Pattern	Thickness	Copper Pattern	Thickness
Footprints and Traces	70µm	74.2mm x 74.2mm	35µm	74.2mm x 74.2mm	70µm

## Recommended Operating Conditions

Parameter	Symbol	Min	Typ	Max	Unit
Supply Voltage	V <sub>CC</sub>	4.5	12	16	V
Hall Input Voltage	V <sub>H</sub>	0	-	2	V
PWM Input Frequency	f <sub>IN</sub>	1	-	100	kHz

Electrical Characteristics (Unless otherwise specified Ta=25°C, V<sub>CC</sub>=12V)

Parameter	Symbol	Limit			Unit	Conditions	Characteristic Data
		Min	Typ	Max			
Circuit Current	I <sub>CC1</sub>	2.0	3.3	5	mA		Figure 2
Standby Current	I <sub>CC2</sub>	0.1	0.3	0.5	mA		Figure 3
Hall Input Hysteresis	V <sub>HYS</sub>	±5	±10	±15	mV		Figure 4
PWM Input High Level	V <sub>PWMH</sub>	2	-	5.3	V		-
PWM Input Low Level	V <sub>PWML</sub>	-0.3	-	+0.8	V		-
PWM Input Current	I <sub>PWMH</sub>	-10	0	+10	μA	V <sub>PWM</sub> =5V	Figure 5
	I <sub>PWML</sub>	-50	-25	-12	μA	V <sub>PWM</sub> =0V	Figure 6
PWM Drive Frequency	f <sub>PWM</sub>	35	50	65	kHz		-
Reference Voltage	V <sub>REF</sub>	2.7	3.0	3.3	V	I <sub>REF</sub> =-1mA	Figure 7, 8
Current Limit Voltage	V <sub>CL</sub>	140	160	180	mV		Figure 9
High Side Output High Voltage	V <sub>OHH</sub>	V <sub>CC</sub> -0.6	V <sub>CC</sub> -0.4	V <sub>CC</sub> -0.1	V	I <sub>O</sub> =-3mA	Figure 10
High Side Output Low Voltage	V <sub>OHL</sub>	V <sub>CC</sub> -5.2	V <sub>CC</sub> -4.9	V <sub>CC</sub> -4.6	V	I <sub>O</sub> =+3mA	Figure 11
Low Side Output High Voltage	V <sub>OLH</sub>	4.1	4.5	4.8	V	I <sub>O</sub> =-3mA	Figure 12
Low Side Output Low Voltage	V <sub>OLL</sub>	-	0.1	0.2	V	I <sub>O</sub> =+3mA	Figure 13
FG Output Low Voltage	V <sub>FGL</sub>	-	-	0.3	V	I <sub>FG</sub> =+5mA	Figure 14
FG Output Leak Current	I <sub>FGL</sub>	-	-	10	μA	V <sub>FG</sub> =18V	Figure 15
Lock Protection ON Time	t <sub>ON</sub>	0.2	0.3	0.4	s		Figure 16
Lock Protection OFF Time	t <sub>OFF</sub>	4	6	8	s		Figure 17

About a current item, define the inflow current to IC as a positive notation.

## Input-Output Truth Table

Input			IC Output					Motor Drive Output	
HP	HM	PWM	A1H	A1L	A2H	A2L	FG	OUT1	OUT2
H	L	H	H	H	L	L	Hi-Z	L	H
L	H	H	L	L	H	H	L	H	L
H	L	L	H	H	H	L	H-Z	L	Hi-Z
L	H	L	H	L	H	H	L	Hi-Z	L

H; High, L; Low, Hi-Z; High impedance  
FG output is open drain output.

Typical Performance Curves (Reference Data)

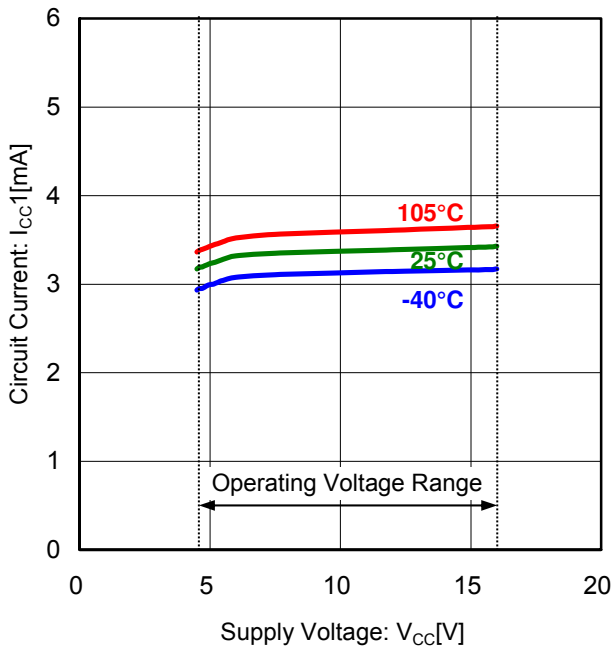


Figure 2. Circuit Current vs Supply Voltage

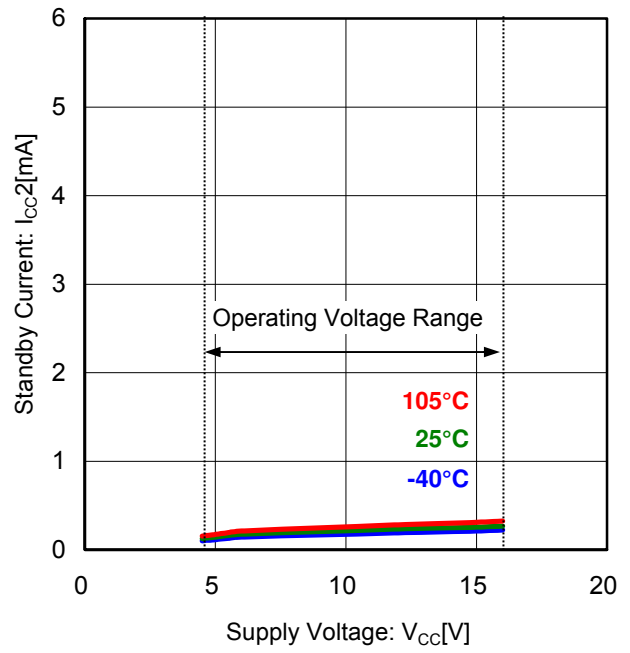


Figure 3. Standby Current vs Supply Voltage

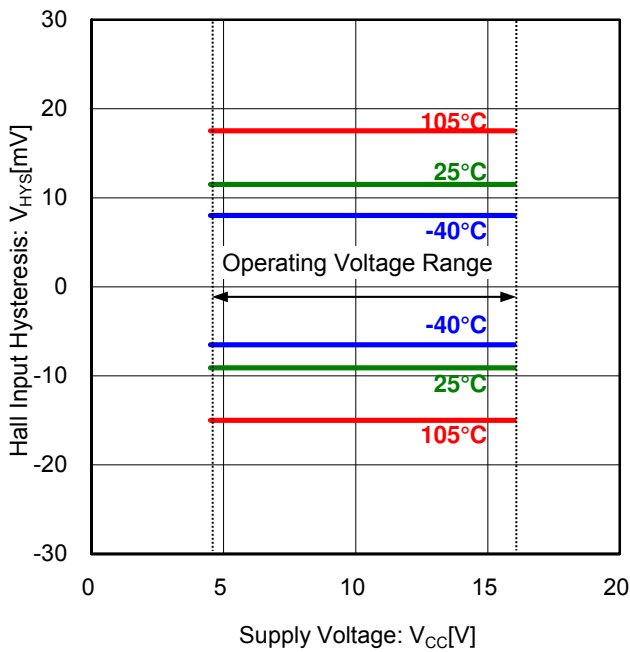


Figure 4. Hall Input Hysteresis vs Supply Voltage

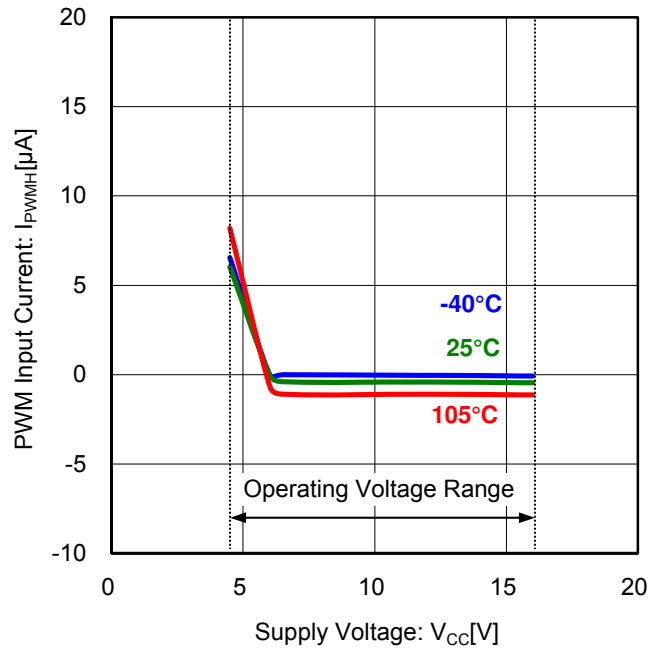


Figure 5. PWM Input Current vs Supply Voltage (V<sub>PWM</sub>=5V)

Typical Performance Curves (Reference Data) – continued

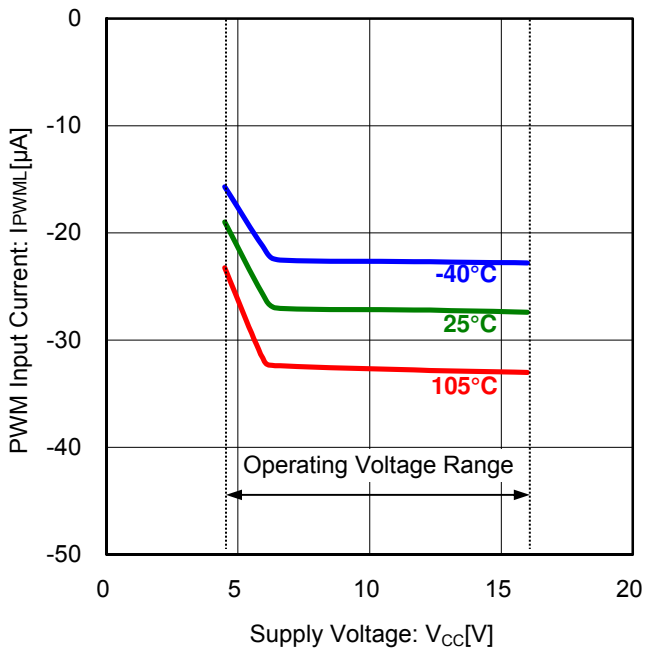


Figure 6. PWM Input Current vs Supply Voltage ( $V_{PWM}=0V$ )

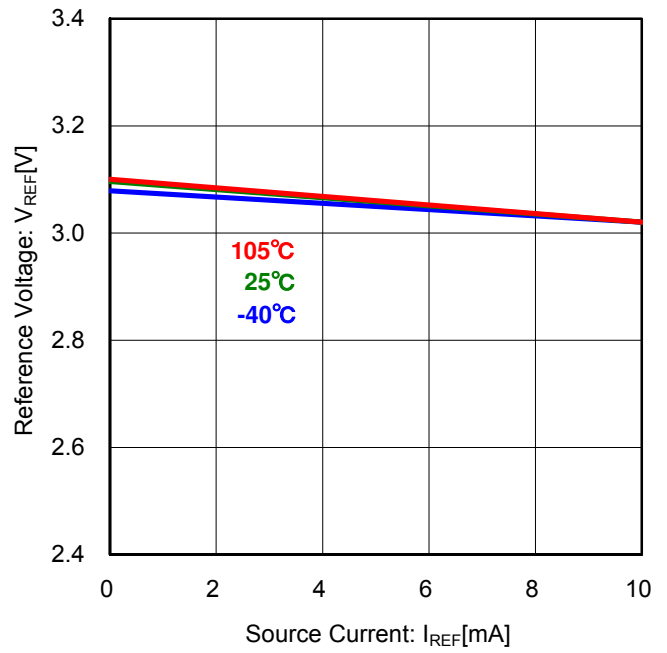


Figure 7. Reference Voltage vs Source Current ( $V_{CC}=12V$ )

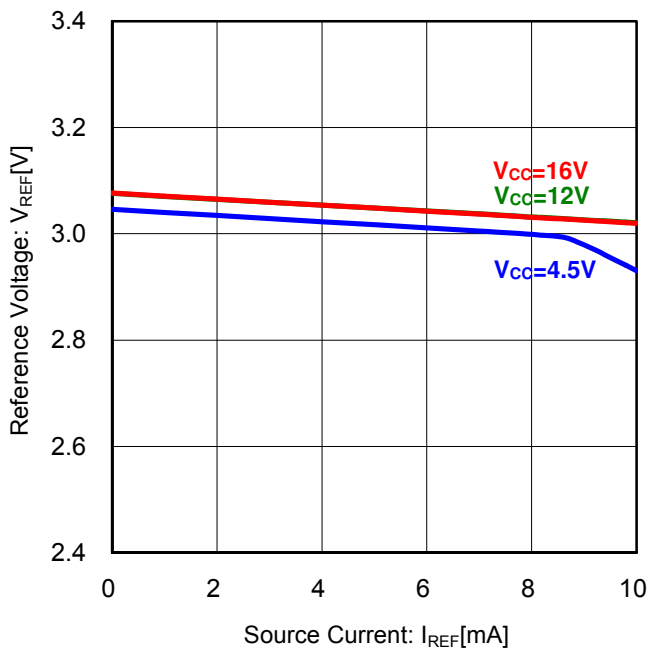


Figure 8. Reference Voltage vs Source Current ( $T_a=25^\circ C$ )

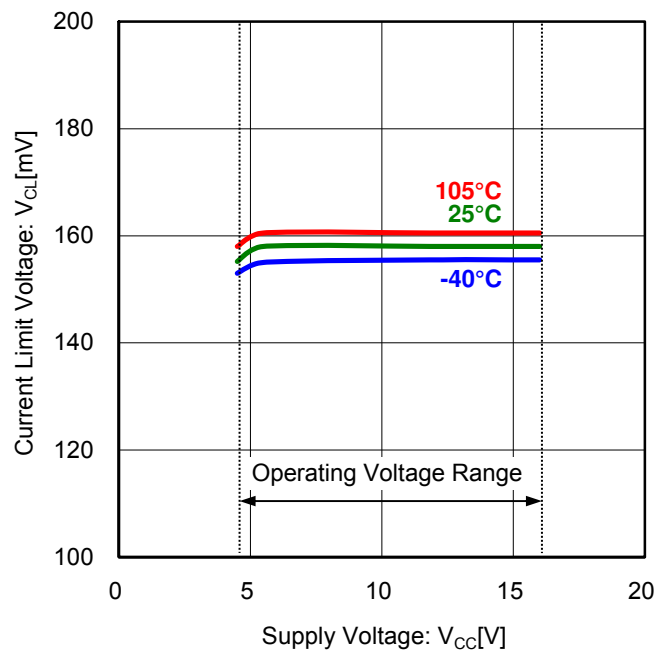


Figure 9. Current Limit Voltage vs Supply Voltage

Typical Performance Curves (Reference Data) – continued

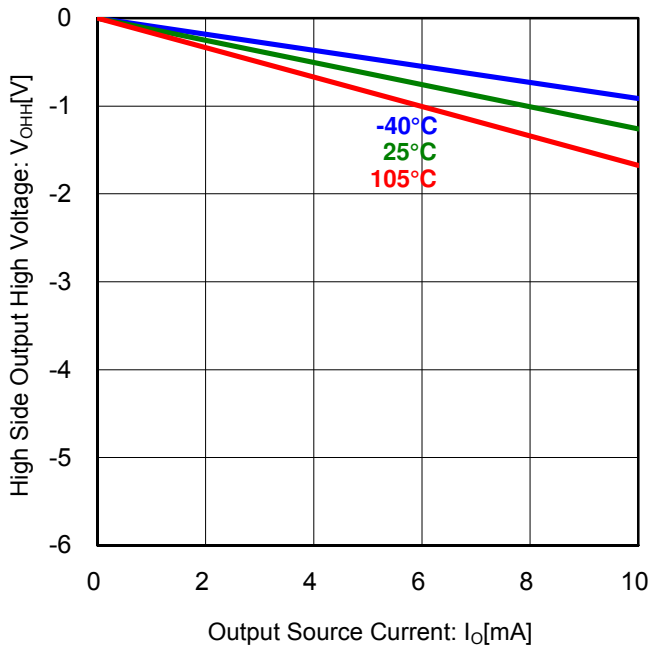


Figure 10. High Side Output High Voltage vs Source Current (V<sub>CC</sub>=12V, differential voltage to V<sub>CC</sub>)

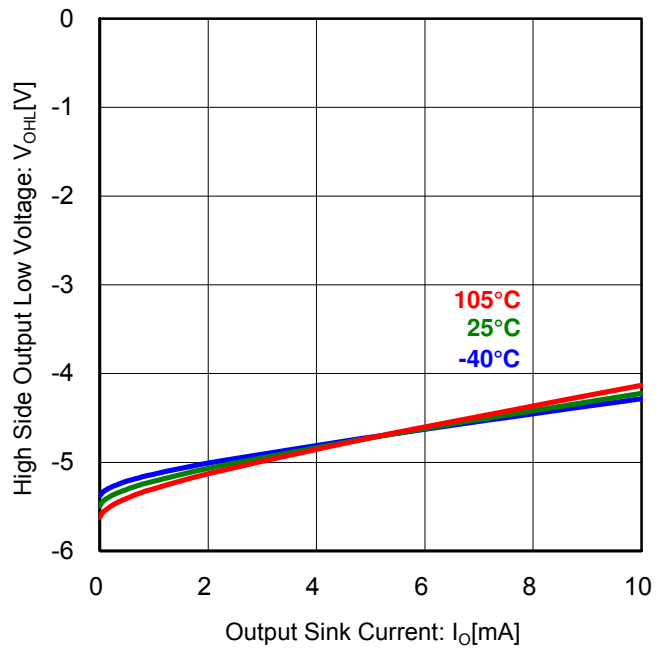


Figure 11. High Side Output Low Voltage vs Sink Current (V<sub>CC</sub>=12V, differential voltage to V<sub>CC</sub>)

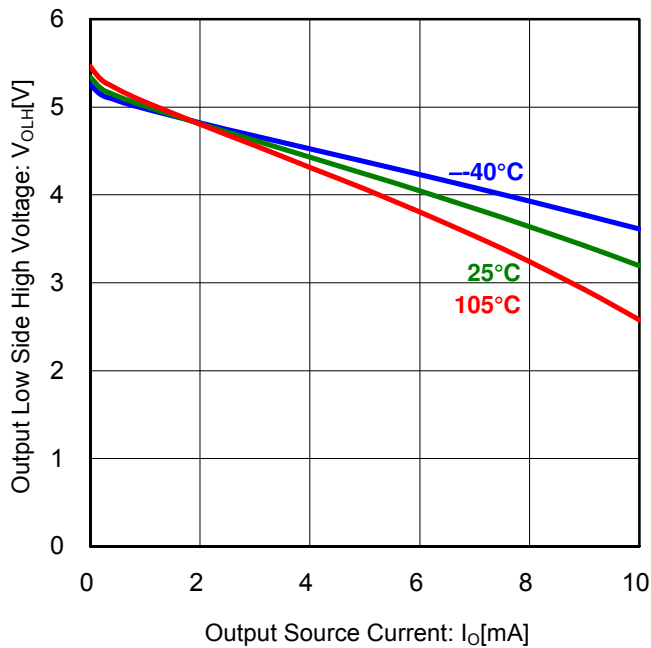


Figure 12. Low Side Output High Voltage vs Source Current (V<sub>CC</sub>=12V)

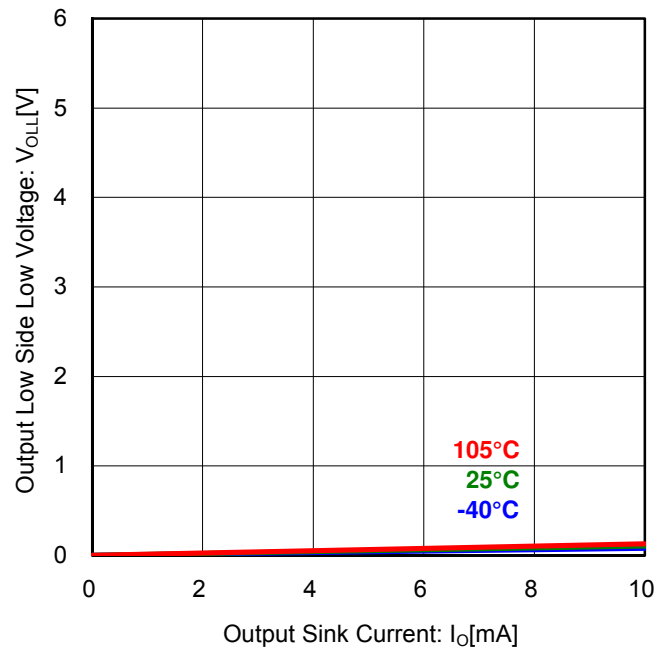


Figure 13. Low Side Output Low Voltage vs Sink Current (V<sub>CC</sub>=12V)

Typical Performance Curves (Reference Data) – continued

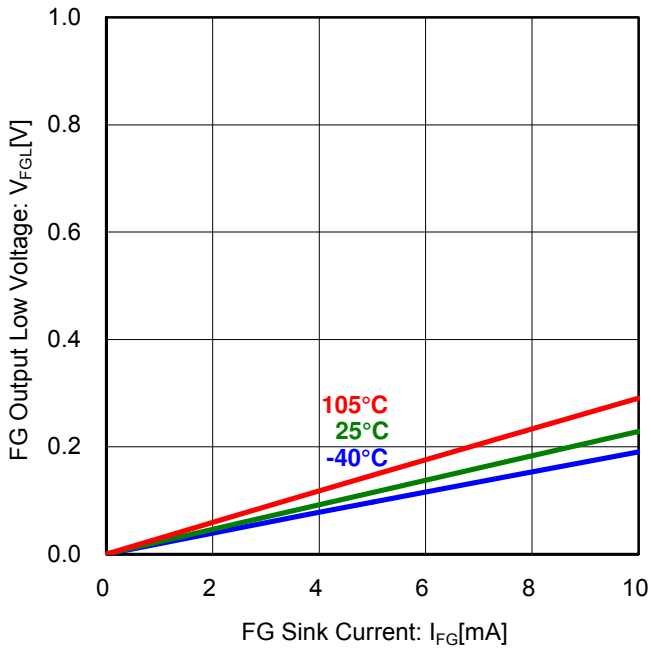


Figure 14. FG Output Low Voltage vs Sink Current

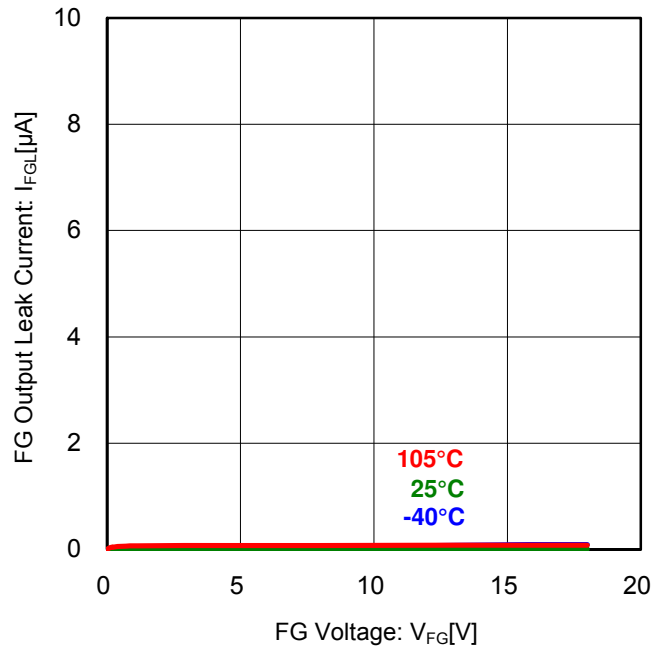


Figure 15. FG Output Leak Current vs FG Voltage

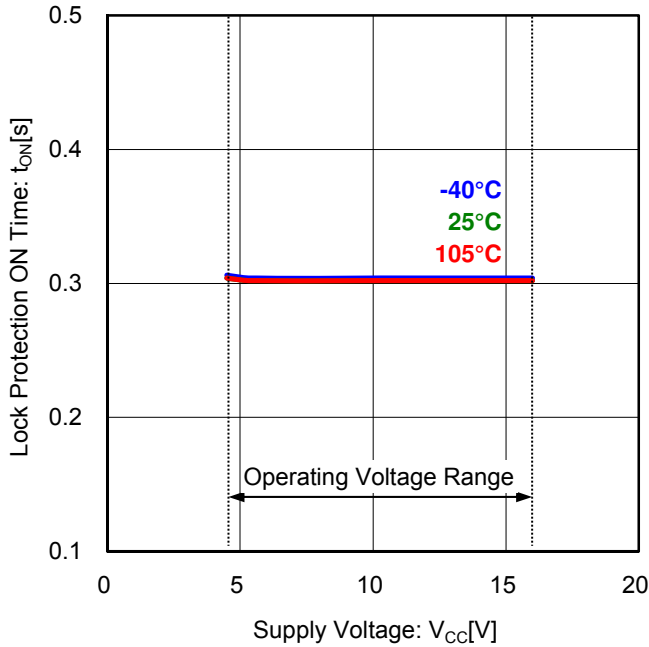


Figure 16. Lock Protection ON Time vs Supply Voltage

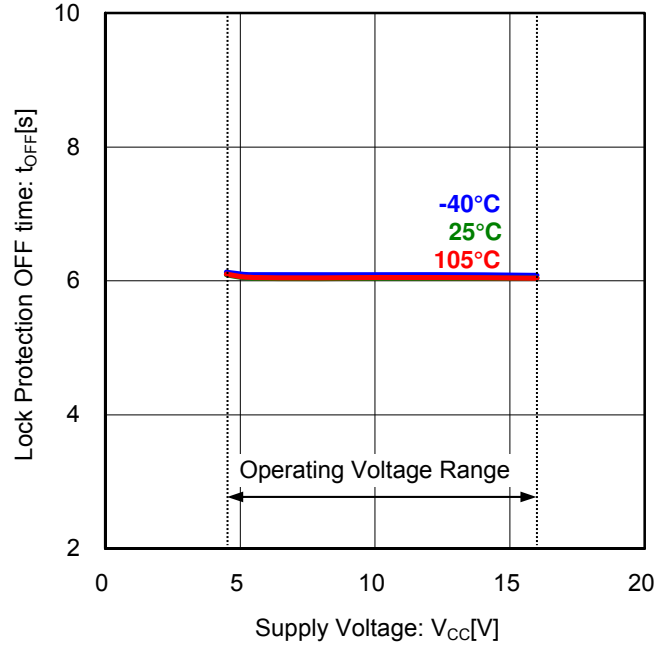


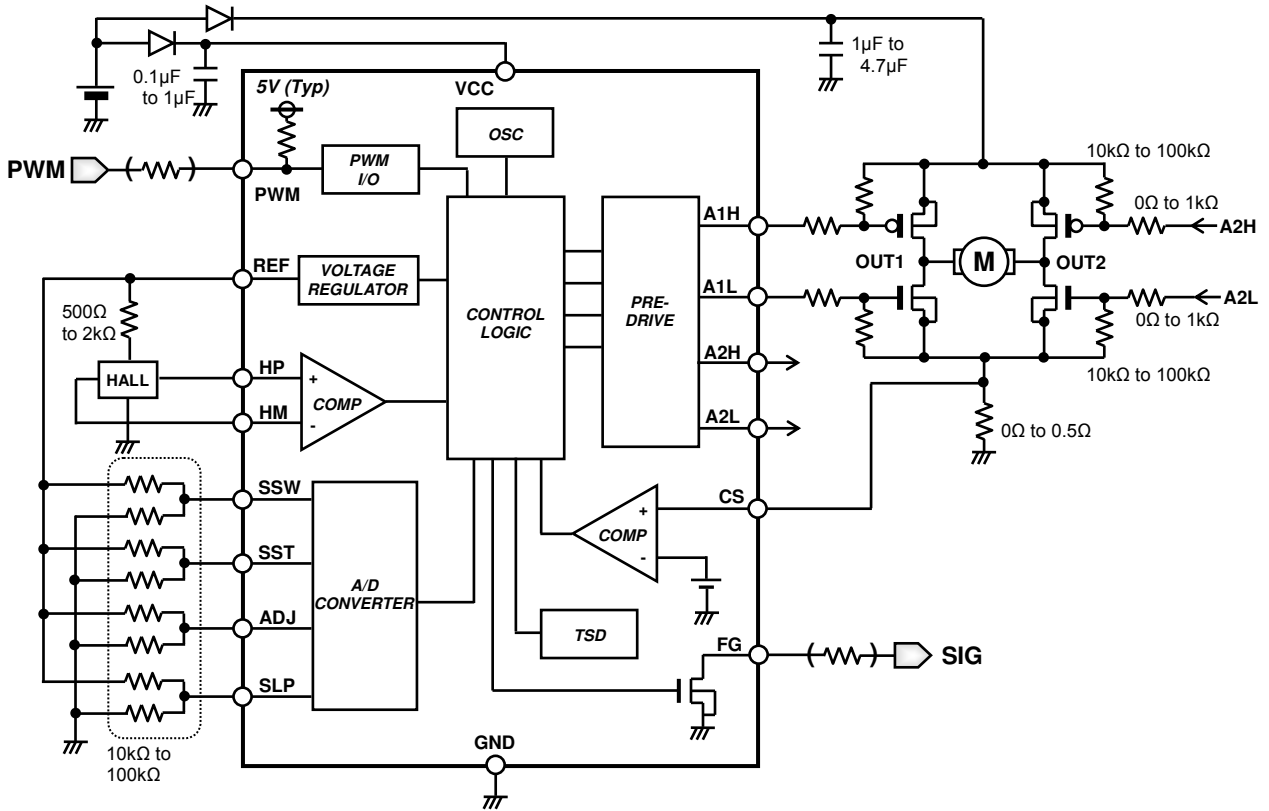
Figure 17. Lock Protection OFF Time vs Supply Voltage



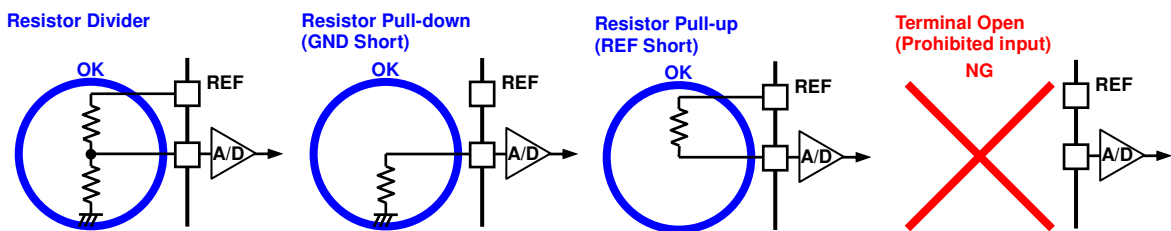
Application circuit Reference

Direct PWM Control

This is the application example of direct PWM input into PWM terminal.



When a function is not used, do not let the A/D converter input terminal (SSW,SST,ADJ,SLP) open.



Functional Descriptions

1. PWM Operation by Pulse Input in PWM Terminal

Output PWM duty is changed depending on input PWM duty from PWM terminal, and rotational speed is controlled. Please refer to input voltage 1(P.3) and recommended operating conditions (P.4) for the signal input condition from a PWM terminal. In the case of PWM terminal is open, internal voltage (about 5V) is applied to PWM terminal, and output is driven in 100%. There must be a pull-down resistance outside of IC to make it to 0% duty when the PWM terminal opens (However, only at the controller of the complimentary output type.). Insert the protective resistance if necessary.

Because the PWM signal is filtered inside the IC and is signal processed, the PWM frequency of the drive output is not same to the input PWM frequency.

The resolution of input duty is 8bit (256steps). Output PWM resolution is 8bit, output PWM frequency is 50kHz. When computed duty is less than 2.3%, a driving signal is not output.

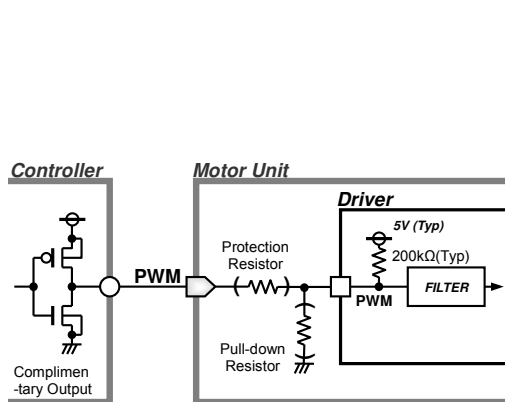


Figure 18. PWM Input Application

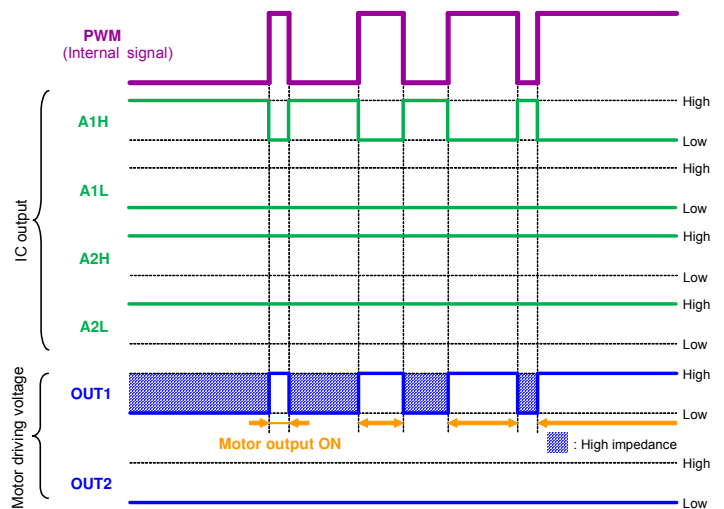


Figure 19. Output PWM Operation Timing Chart

2. Input-output Duty Slope Setting (SLP)

Slope properties of input duty and output duty can be set with SLP terminal like Figure 20. The resolution is 7bit (128 steps).

The voltage of SLP terminal is less than 0.375V (Typ), slope of input-output duty characteristic is fixed to 1. And fixed to 0.5 in 0.375V to 0.75V (Typ) (refer to Figure 21). When slope setting is not set, pull-down SLP terminal or GND short.

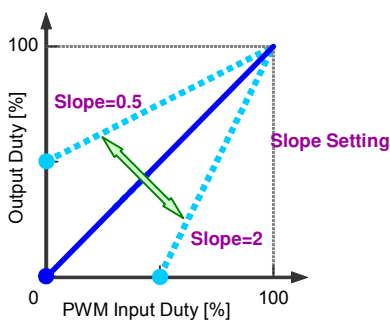


Figure 20. Properties of Input-output Duty Slope Setting

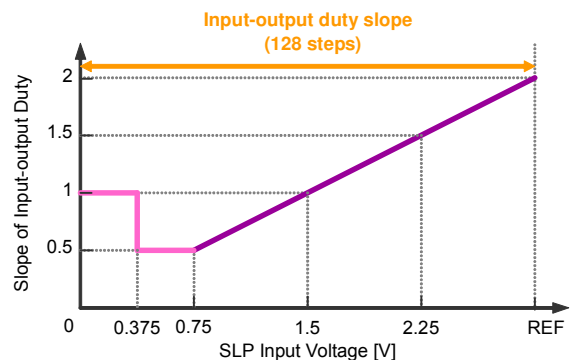


Figure 21. Relations of SLP Terminal Voltage and the Input-output Duty Slope Characteristics

3. Input and Output Duty Properties Adjustment Function (ADJ)

When input duty vs output duty shows the characteristic of the straight line, rotational speed may become the characteristics that middle duty area swells by the characteristic of fan motor. (Figure 22)

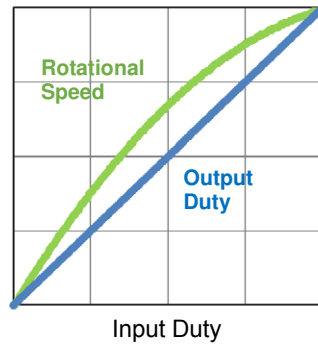


Figure 22. Properties Curve of Input PWM Duty vs Rotational Speed

This IC reduces duty in the middle duty area and can adjust rotational speed characteristics of the motor with a straight line.

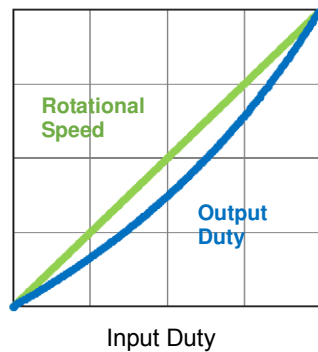


Figure 23. Properties Curve of Input PWM Duty vs Rotational Speed after Adjusting

The adjustment to reduce duty is performed by ADJ terminal input voltage. The ADJ terminal is input terminal of A/D converter and the resolution is 8bit. By input 0 of the ADJ terminal, the characteristic of input duty vs. output duty becomes straight line (no adjustment). The adjustment become maximum by input 256(max), and output duty in input duty 50% decreases to about 25%.

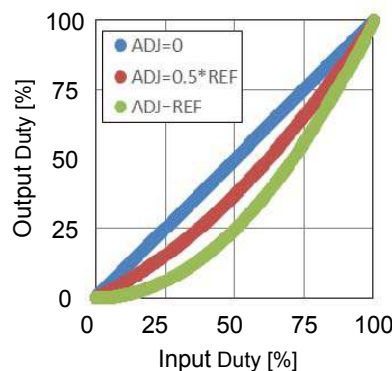


Figure 24. Input Duty vs Output Duty Characteristics

Please set the voltage of ADJ terminal so that motor rotation speed in input duty 50% is on the diagonal which links the rotation speed of 0% to 100%. IC corrects output duty so that overall rotation speed properties match a straight line.

When it is used together with SLP function, at first ADJ adjustment is performed in slope=1, and please adjust SLP after adjusting input duty vs. rotation speed property.

4. Soft Switching Setting

(1) Soft Switching Angle Setting (SSW)

Angle of the soft switching can be set by the input voltage of SSW terminal. When one period of the hall signal is assumed 360°, the angle of the soft switching can be set from 0° to 90° by the input voltage of SSW terminal (refer to Figure 25). Resolution of SSW terminal is 128 steps. Operational image is shown in Figure 26.

\*Soft switching angle means the section where output duty changes between 0% and setting duty at the timing of output phase change. To smooth off the current waveform, the coefficient table that duty gradually changes is set inside IC, and the step is 16.

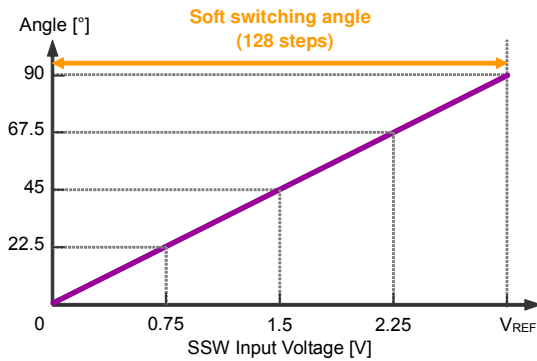


Figure 25. Relations of SSW Terminal Voltage and the Angle of Soft Switching

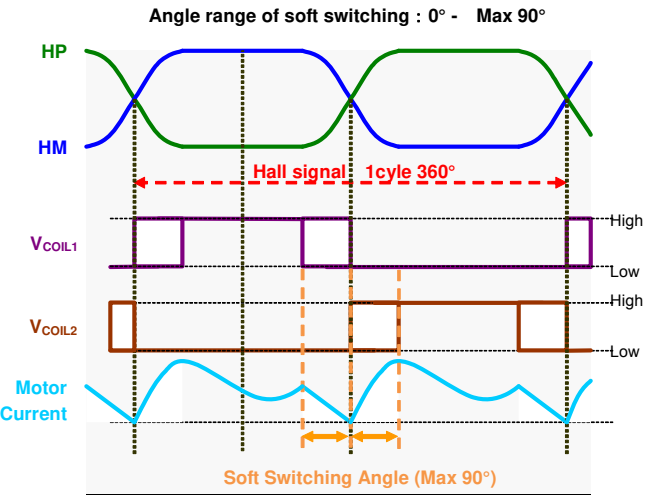


Figure 26. Soft Switching Angle

5. Lead Angle Function (LA)

An output phase change for the hall signal is fixed to the angle of lead. When one period of the hall signal is assumed 360°, lead angle is set about 5.6°. Operational image is shown in Figure 27.

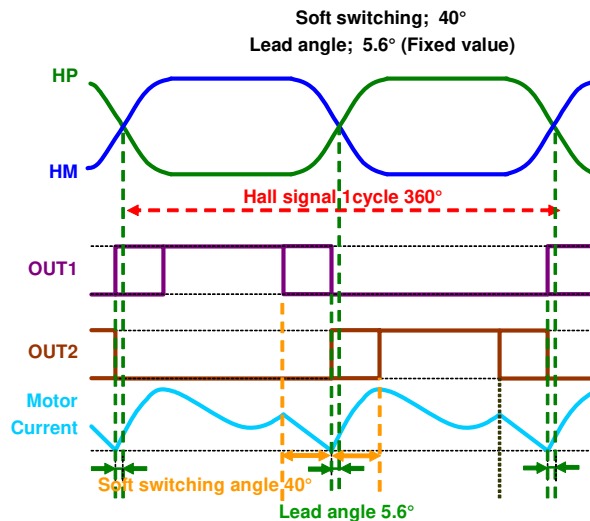


Figure 27. Lead Angle Operation

6. Soft Start

Soft start function gradually change drive duty to suppress sound noise and peak current when the motor start up etc. PWM duty resolution is 8bit (256steps, 0.39% per step). SST terminal sets the step up time of duty increment.

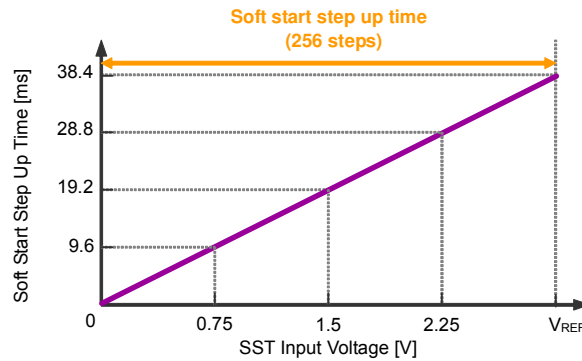


Figure 28. Relations of SST Terminal Voltage and Soft Start Step Up Time

Duty transition time is

(Difference of current duty and Target duty (output duty after SLP/ADJ calculation)) x (step time)

When soft start time is set for a long time, lock protection may be detected without enough motor torque when motor start up from 0% duty. Therefore start up duty is set to approximately 20% (50/256).

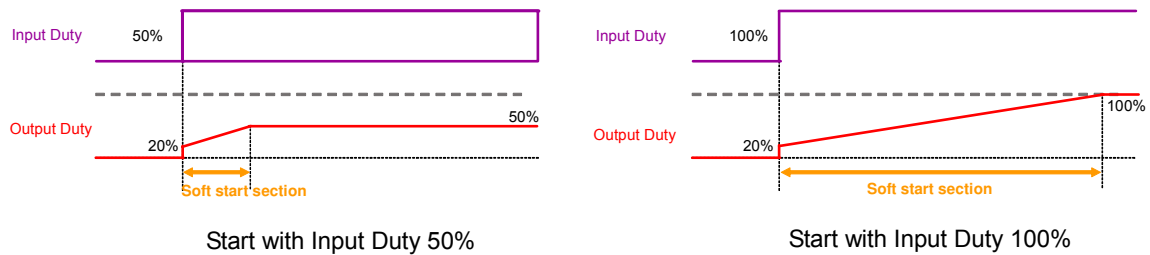


Figure 29. Soft Start Operation Image from Motor Stop Condition

When SST terminal voltage = REF terminal voltage, and 100% duty is input on motor stop condition, output duty arrives at 100% after progress the time of  $38.4ms \times (256-50step) = 7.91$  seconds

Soft start functions always work when the change of input duty as well as motor start up. In addition, it works when duty goes down from high duty. Duty step down time is the half of duty step up time.

7. Start Duty Assist

It is the function that enable the motor to start even if drive duty output is low, when the soft start function is not used. When input duty is within 50% at motor stop condition, 50% duty is output till four times of hall signal change are detected. Operational image is shown in Figure 30.

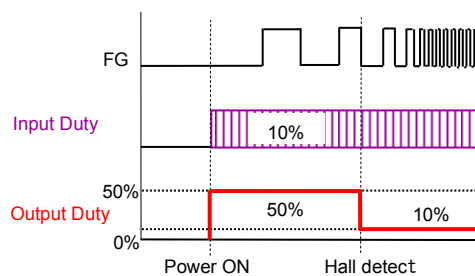


Figure 30. Start Duty Assist Operation at Input Duty 10%

8. Standby Function

When PWM terminal input duty is less than 1.5% (input PWM frequency 25kHz), IC shut off the circuit to reduce current consumption in motor stop state. Because circuit current of IC oneself is cut with the standby mode, and the voltage output of the REF terminal stops, the power consumption that a hall device uses and the power consumption to use by resistance for the input setting of the analog-digital converter can be reduced.

This IC processes input duty from PWM terminal through the filter in logic circuit. Therefore the time to shift standby mode varies according to input PWM duty before inputting PWM=L. When PWM=L is input, relations of the input duty till then and the time to detect 0% are shown in Figure 32.

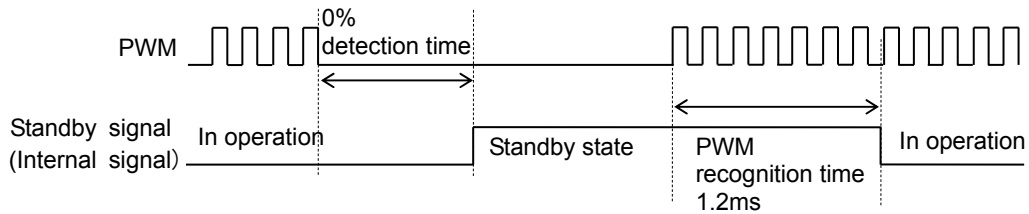


Figure 31. Standby Detection Time and Recover Time

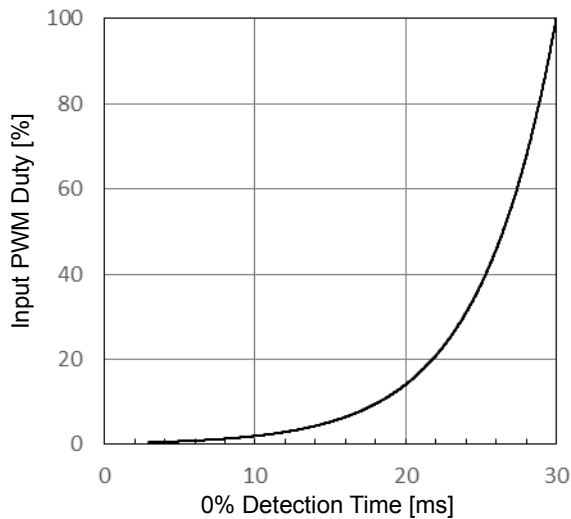


Figure 32. Input PWM Duty vs 0% Detection Time

\*When the soft start time is set, it takes more time to duty fall down except the filter time of Figure 32.

9. Current Limit

Current limit function turns off the output when the current flow through the motor coil is detected exceeding a set value. The working current value of the limit is determined by current limit voltage  $V_{CL}$  and CS terminal voltage.

In Figure 33, current flow in motor coil is  $I_o$ , resistor to detect  $I_o$  is  $R_{NF}$ , power consumption of  $R_{NF}$  is  $P_R$ , current limit voltage  $V_{CL}=160\text{mV}$  (Typ), current limit value and power consumption of  $R_{NF}$  can be calculated below expression. When current limit function is not used, please short CS terminal to GND.

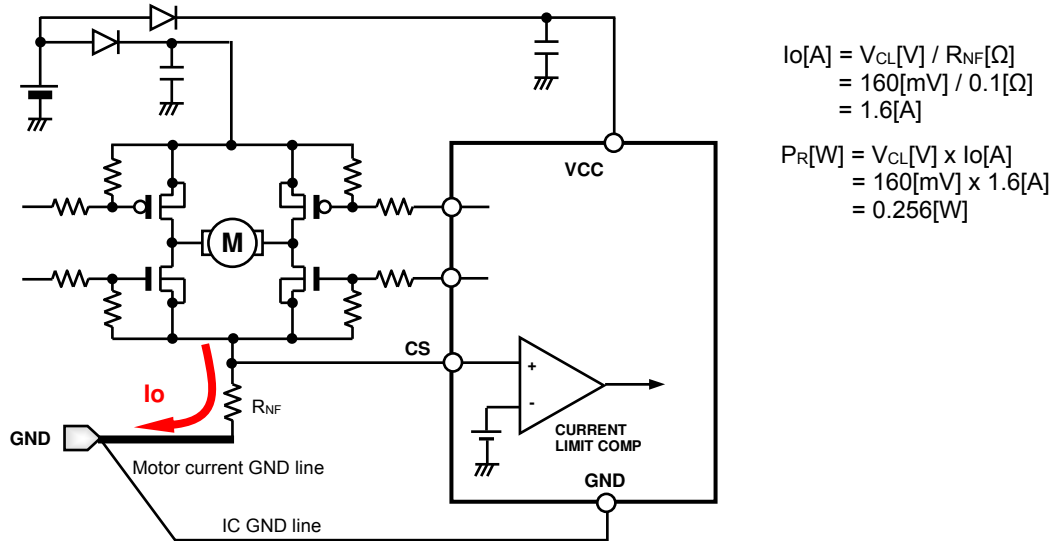


Figure 33. Current Limit Setting and GND Line

10. Lock Protection and Automatic Restart

Motor rotation is detected by hall signal period. IC detects motor rotation is stop when the period becomes longer than the time set up at the internal counter, and IC turns off the output. Lock detection ON time ( $t_{ON}$ ) and lock detection OFF time ( $t_{OFF}$ ) are set by the digital counter based on internal oscillator. Therefore the ratio of ON/OFF time is always constant. Timing chart is shown in Figure 34.

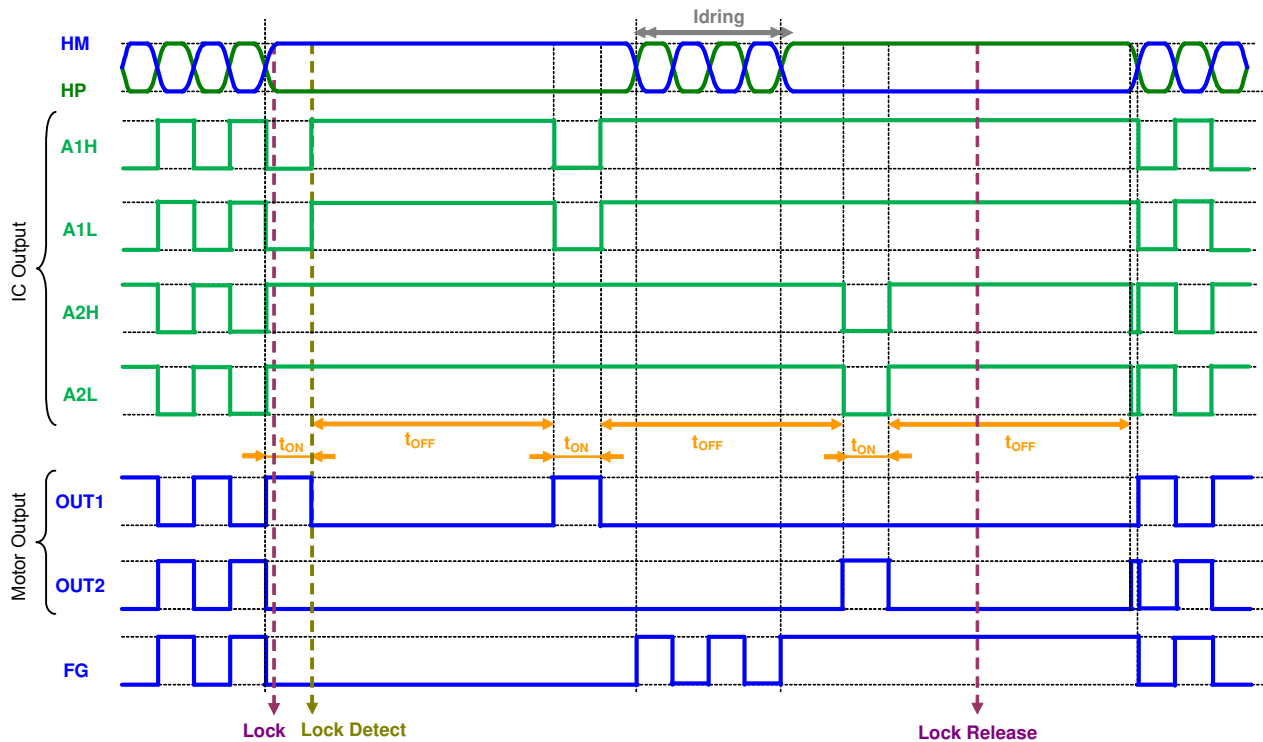


Figure 34. Lock Protection Timing Chart

11. High-speed Detection Protection

When a hall input signal is abnormally fast (more than 1.525kHz, 45,750rpm as 4 pole motor), the lock protection operation works. When noise is easy to appear in a hall input signal, please put a capacitor between hall input terminals like C1 of Figure 36.

12. Hall Input Setting

The input voltage of a hall signal is input in "Hall Input Voltage" in P.4 including signal amplitude. In order to detect rotation of a motor, the amplitude of hall signal more than "Hall Input Hysteresis" is required. Input the hall signal more than 30mVpp at least.

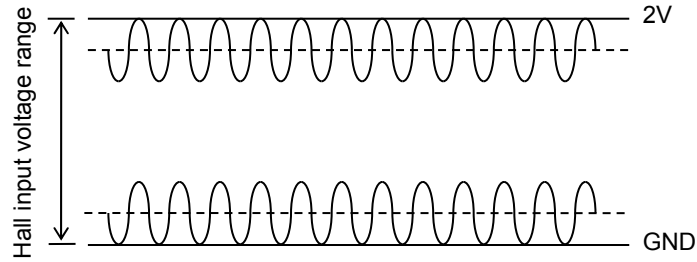


Figure 35. Hall Input Voltage Range

Reducing the Noise of Hall Signal

Hall element may be affected by  $V_{CC}$  noise or the like depending on the wiring pattern of board. In this case, place a capacitor like C1 in Figure 36. In addition, when wiring from the hall element output to IC hall input is long, noise may be loaded on wiring. In this case, place a capacitor like C2 in Figure 36.

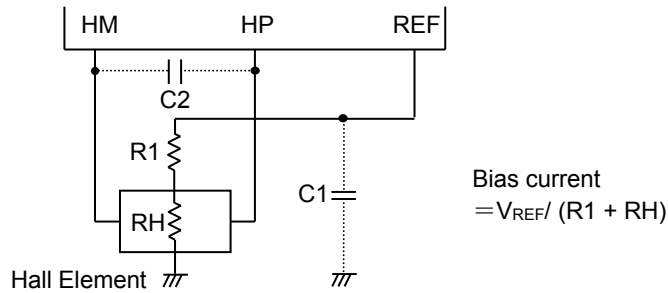
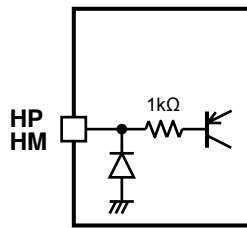


Figure 36. Application near of Hall Signal

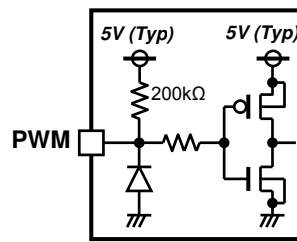


I/O Equivalent Circuit

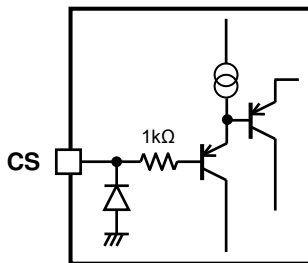
1. Hall signal input



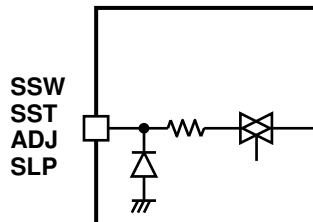
2. PWM signal input



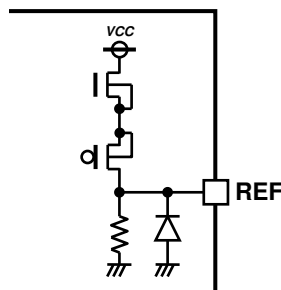
3. Current sensing



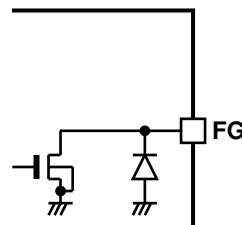
4. A/D converter input



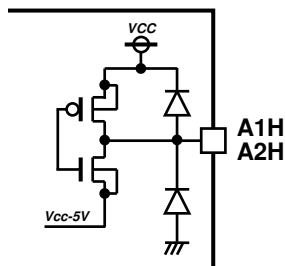
5. Reference voltage output



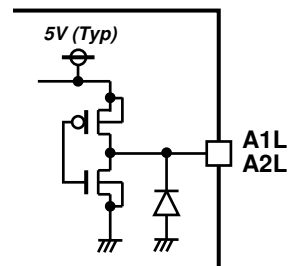
6. FG signal output



7. High side output



8. Low side output



**Safety Measure**

1. Reverse Connection Protection Diode

Reverse connection of power results in IC destruction as shown in Figure 37. When reverse connection is possible, reverse connection protection diode must be added between power supply and VCC.

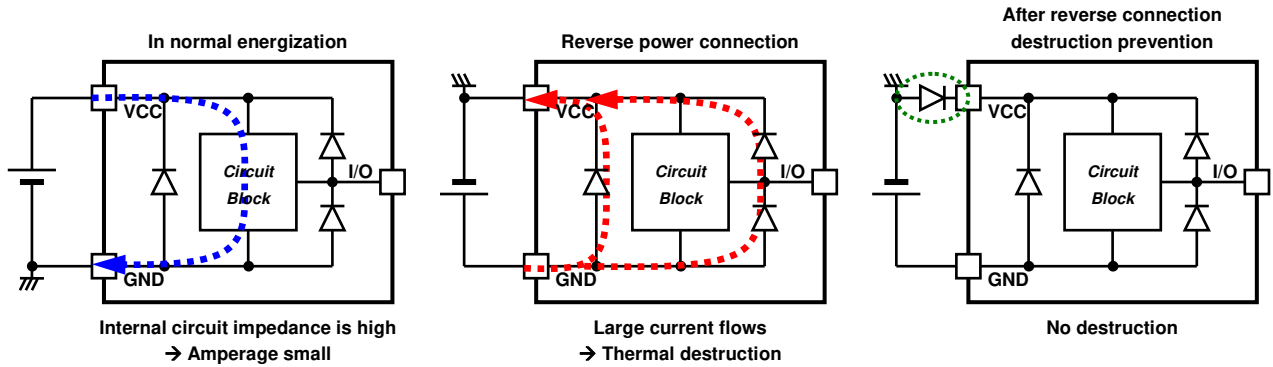


Figure 37. Flow of Current When Power is Connected Reversely

2. Problem of GND Line PWM Switching

Do not perform PWM switching of GND line because GND terminal potential cannot be kept to a minimum.

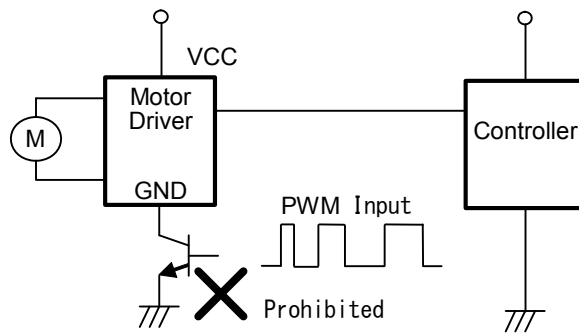


Figure 38. GND Line PWM Switching Prohibited

3. External Connecting Terminal

Missconnecting of external connector from motor PCB, or hotplug of the connector, it may cause damage to IC by rush current or over voltage surge.

About the input/output terminal except VCC/GND line, please take measures such as protection resistor so that IC is not affected by over voltage or excess current.

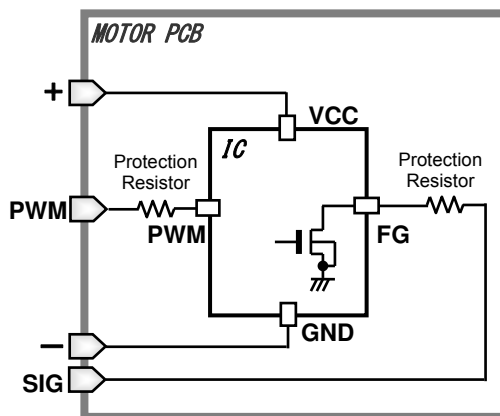


Figure 39. Protection of PWM/FG terminal

**Power Dissipation**

1. Power Dissipation

Power dissipation indicates the power that can be consumed by IC at Ta=25°C. IC is heated when it consumes power, and the temperature of IC chip becomes higher than ambient temperature. The temperature that can be allowed by IC chip into the package is the absolute maximum rating of the junction temperature. And it depends on circuit configuration, manufacturing process, etc. Power dissipation is determined by this maximum junction temperature, thermal resistance of mounting condition, and ambient temperature. Therefore, when the power dissipation exceeds the absolute maximum rating, the operating temperature range is not a guarantee. The maximum junction temperature is in general equal to the maximum value in the storage temperature range.

2. Thermal Resistance

Heat generated by consumed power of IC is radiated from the mold resin or lead frame of package. The parameter which indicates this heat dissipation capability (hardness of heat release) is called thermal resistance. Thermal resistance from the chip junction to the ambient is represented in  $\theta_{JA}$  [°C/W], and thermal characterization parameter from junction to the top center of the outside surface of the component package is represented in  $\Psi_{JT}$  [°C/W]. Thermal resistance is divide into the package part and the substrate part. Thermal resistance in the package part depends on the composition materials such as the mold resins and the lead frames. On the other hand, thermal resistance in the substrate part depends on the substrate heat dissipation capability of the material, the size, and the copper foil area etc. Therefore, thermal resistance can be decreased by the heat radiation measures like installing a heat sink etc. in the mounting substrate.

The thermal resistance model is shown in Figure 40, and equation is shown below.

$$\theta_{JA} = (T_j - T_a) / P \text{ [°C/W]}$$

$$\Psi_{JT} = (T_j - T_t) / P \text{ [°C/W]}$$

where:

$\theta_{JA}$  is the thermal resistance from junction to ambient [°C/W]

$\Psi_{JT}$  is the thermal characterization parameter from junction to the top center of the outside surface of the component package [°C/W]

$T_j$  is the junction temperature [°C]

$T_a$  is the ambient temperature [°C]

$T_t$  is the package outside surface (top center) temperature [°C]

$P$  is the power consumption [W]

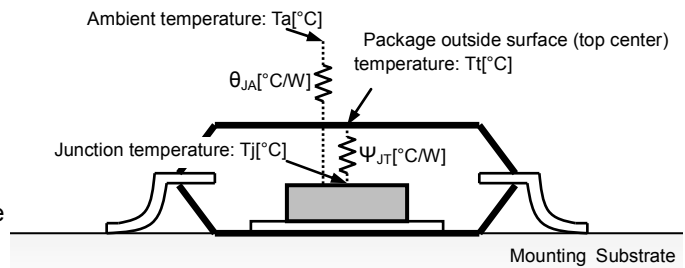


Figure 40. Thermal Resistance Model of Surface Mount

Even if it uses the same package,  $\theta_{JA}$  and  $\Psi_{JT}$  are changed depending on the chip size, power consumption, and the measurement environments of the ambient temperature, the mounting condition, and the wind velocity, etc.

3. Thermal De-rating Curve

Thermal de-rating curve indicates the power that can be consumed by the IC with reference to ambient temperature. Power that can be consumed by IC begins to attenuate at ambient temperature 25°C, and becomes 0W at the maximum junction temperature 150°C. The inclination is reduced by the reciprocal of thermal resistance  $\theta_{ja}$ . The thermal de-rating curve under a condition of thermal resistance (P.3) is shown in Figure 41.

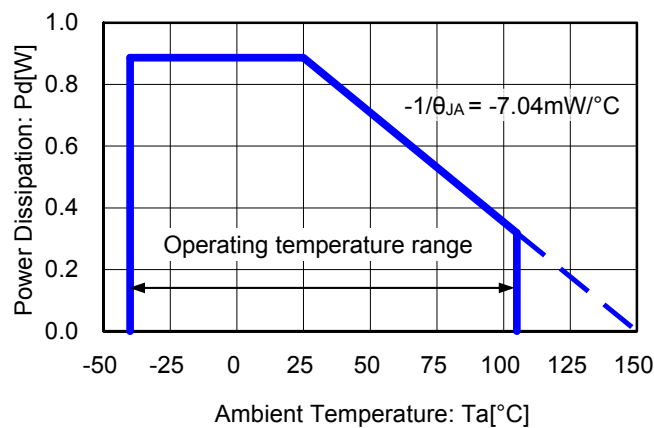


Figure 41. Power Dissipation vs Ambient Temperature

**Operational Notes****1. Reverse Connection of Power Supply**

Connecting the power supply in reverse polarity can damage the IC. Take precautions against reverse polarity when connecting the power supply, such as mounting an external diode between the power supply and the IC's power supply pins.

**2. Power Supply Lines**

Design the PCB layout pattern to provide low impedance supply lines. Furthermore, connect a capacitor to ground at all power supply pins. Consider the effect of temperature and aging on the capacitance value when using electrolytic capacitors.

**3. Ground Voltage**

Ensure that no pins are at a voltage below that of the ground pin at any time, even during transient condition. However, pins that drive inductive loads (e.g. motor driver outputs, DC-DC converter outputs) may inevitably go below ground due to back EMF or electromotive force. In such cases, the user should make sure that such voltages going below ground will not cause the IC and the system to malfunction by examining carefully all relevant factors and conditions such as motor characteristics, supply voltage, operating frequency and PCB wiring to name a few.

**4. Ground Wiring Pattern**

When using both small-signal and large-current ground traces, the two ground traces should be routed separately but connected to a single ground at the reference point of the application board to avoid fluctuations in the small-signal ground caused by large currents. Also ensure that the ground traces of external components do not cause variations on the ground voltage. The ground lines must be as short and thick as possible to reduce line impedance.

**5. Recommended Operating Conditions**

These conditions represent a range within which the expected characteristics of the IC can be approximately obtained. The electrical characteristics are guaranteed under the conditions of each parameter.

**6. Inrush Current**

When power is first supplied to the IC, it is possible that the internal logic may be unstable and inrush current may flow instantaneously due to the internal powering sequence and delays, especially if the IC has more than one power supply. Therefore, give special consideration to power coupling capacitance, power wiring, width of ground wiring, and routing of connections.

**7. Operation Under Strong Electromagnetic Field**

Operating the IC in the presence of a strong electromagnetic field may cause the IC to malfunction.

**8. Testing on Application Boards**

When testing the IC on an application board, connecting a capacitor directly to a low-impedance output pin may subject the IC to stress. Always discharge capacitors completely after each process or step. The IC's power supply should always be turned off completely before connecting or removing it from the test setup during the inspection process. To prevent damage from static discharge, ground the IC during assembly and use similar precautions during transport and storage.

## Operational Notes – continued

**9. Inter-pin Short and Mounting Errors**

Ensure that the direction and position are correct when mounting the IC on the PCB. Incorrect mounting may result in damaging the IC. Avoid nearby pins being shorted to each other especially to ground, power supply and output pin. Inter-pin shorts could be due to many reasons such as metal particles, water droplets (in very humid environment) and unintentional solder bridge deposited in between pins during assembly to name a few.

**10. Unused Input Pins**

Input pins of an IC are often connected to the gate of a MOS transistor. The gate has extremely high impedance and extremely low capacitance. If left unconnected, the electric field from the outside can easily charge it. The small charge acquired in this way is enough to produce a significant effect on the conduction through the transistor and cause unexpected operation of the IC. So unless otherwise specified, unused input pins should be connected to the power supply or ground line.

**11. Regarding the Input Pin of the IC**

This monolithic IC contains P+ isolation and P substrate layers between adjacent elements in order to keep them isolated. P-N junctions are formed at the intersection of the P layers with the N layers of other elements, creating a parasitic diode or transistor. For example (refer to figure below):

When  $GND > Pin A$  and  $GND > Pin B$ , the P-N junction operates as a parasitic diode.  
When  $GND > Pin B$ , the P-N junction operates as a parasitic transistor.

Parasitic diodes inevitably occur in the structure of the IC. The operation of parasitic diodes can result in mutual interference among circuits, operational faults, or physical damage. Therefore, conditions that cause these diodes to operate, such as applying a voltage lower than the GND voltage to an input pin (and thus to the P substrate) should be avoided.

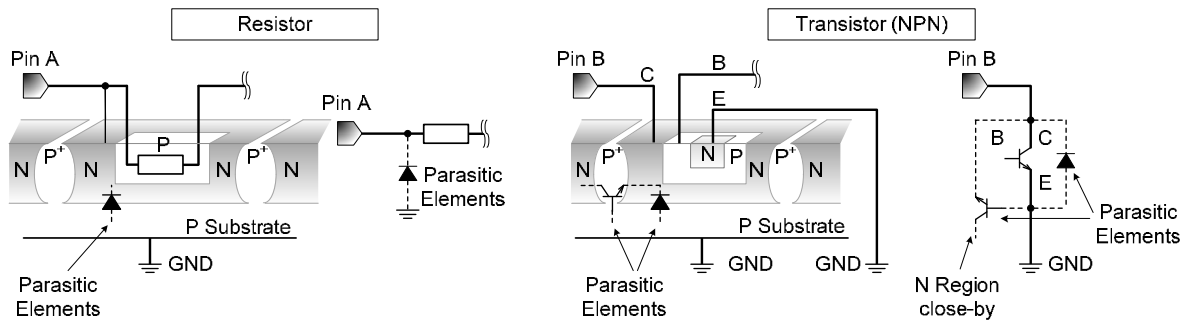


Figure 42. Example of monolithic IC structure

**12. Ceramic Capacitor**

When using a ceramic capacitor, determine a capacitance value considering the change of capacitance with temperature and the decrease in nominal capacitance due to DC bias and others.

**13. Area of Safe Operation (ASO)**

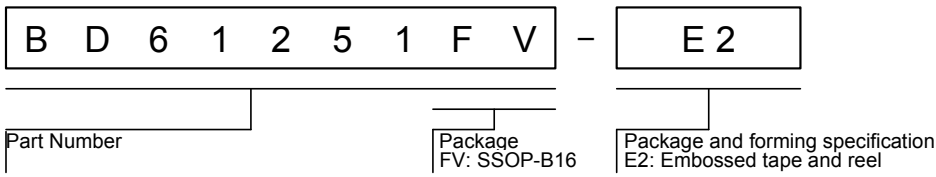
Operate the IC such that the output voltage, output current, and power dissipation are all within the Area of Safe Operation (ASO).

**14. Thermal Shutdown (TSD) Circuit**

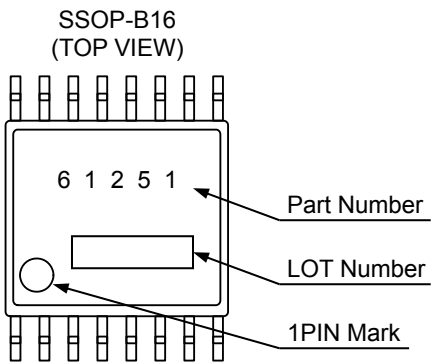
This IC has a built-in thermal shutdown circuit that prevents heat damage to the IC. Normal operation should always be within the IC's maximum junction temperature rating. If however the rating is exceeded for a continued period, the junction temperature ( $T_j$ ) will rise which will activate the TSD circuit that will turn OFF all output pins. When the  $T_j$  falls below the TSD threshold, the circuits are automatically restored to normal operation.

Note that the TSD circuit operates in a situation that exceeds the absolute maximum ratings and therefore, under no circumstances, should the TSD circuit be used in a set design or for any purpose other than protecting the IC from heat damage.

Ordering Information

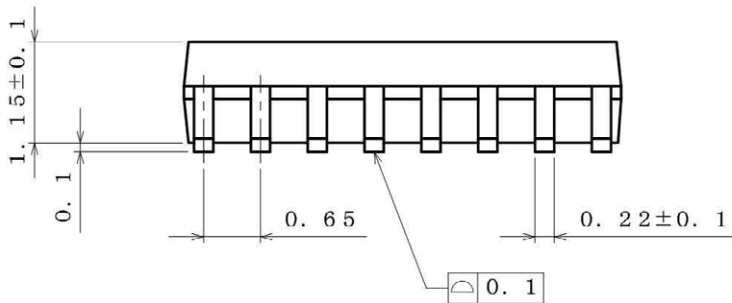
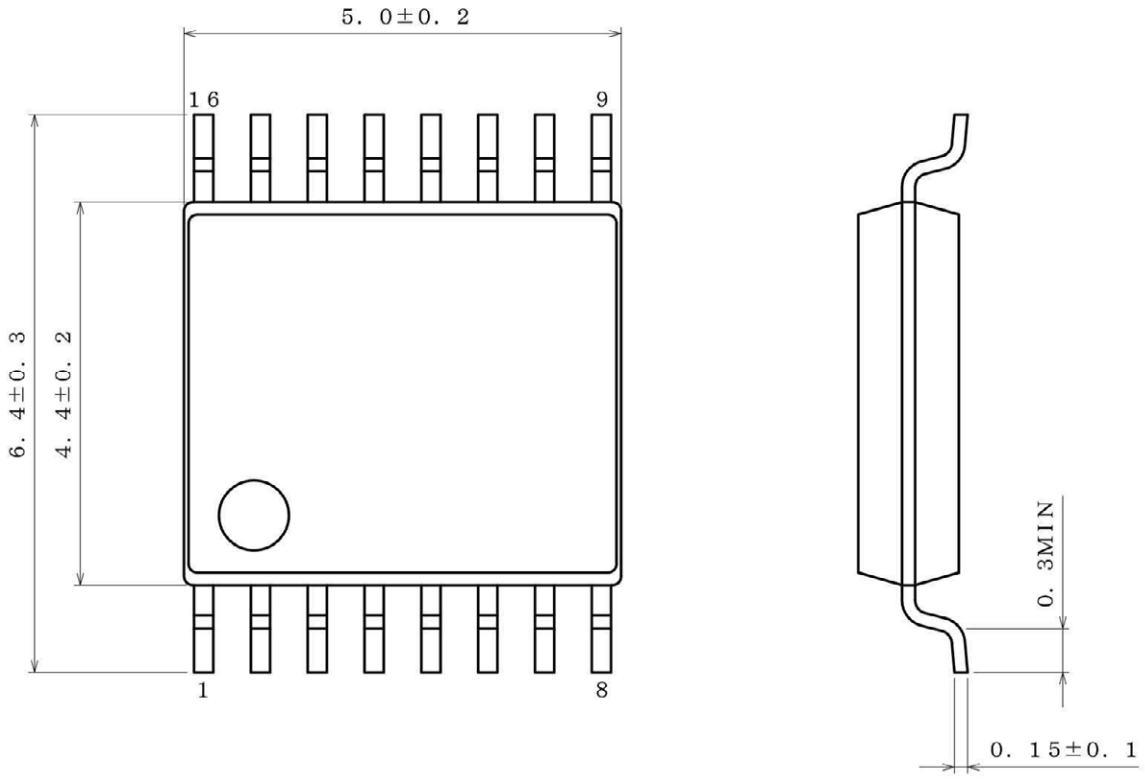


Marking Diagram



Physical Dimension Tape and Reel Information

Package Name	SSOP-B16
--------------	----------



(UNIT : mm)  
 PKG : SSOP-B16  
 Drawing No. B0771

<Tape and Reel information>

Tape	Embossed carrier tape
Quantity	2500pcs
Direction of feed	E2 ( The direction is the 1pin of product is at the upper left when you hold reel on the left hand and you pull out the tape on the right hand )

1pin  
 \*Order quantity needs to be multiple of the minimum quantity.

**Revision History**

Date	Revision	Changes
12.Oct.2017	001	New Release



# Notice

## Precaution on using ROHM Products

- Our Products are designed and manufactured for application in ordinary electronic equipments (such as AV equipment, OA equipment, telecommunication equipment, home electronic appliances, amusement equipment, etc.). If you intend to use our Products in devices requiring extremely high reliability (such as medical equipment <sup>(Note 1)</sup>, transport equipment, traffic equipment, aircraft/spacecraft, nuclear power controllers, fuel controllers, car equipment including car accessories, safety devices, etc.) and whose malfunction or failure may cause loss of human life, bodily injury or serious damage to property ("Specific Applications"), please consult with the ROHM sales representative in advance. Unless otherwise agreed in writing by ROHM in advance, ROHM shall not be in any way responsible or liable for any damages, expenses or losses incurred by you or third parties arising from the use of any ROHM's Products for Specific Applications.

(Note1) Medical Equipment Classification of the Specific Applications

JAPAN	USA	EU	CHINA
CLASS III	CLASS III	CLASS II b	CLASS III
CLASS IV		CLASS III	

- ROHM designs and manufactures its Products subject to strict quality control system. However, semiconductor products can fail or malfunction at a certain rate. Please be sure to implement, at your own responsibilities, adequate safety measures including but not limited to fail-safe design against the physical injury, damage to any property, which a failure or malfunction of our Products may cause. The following are examples of safety measures:
  - Installation of protection circuits or other protective devices to improve system safety
  - Installation of redundant circuits to reduce the impact of single or multiple circuit failure
- Our Products are designed and manufactured for use under standard conditions and not under any special or extraordinary environments or conditions, as exemplified below. Accordingly, ROHM shall not be in any way responsible or liable for any damages, expenses or losses arising from the use of any ROHM's Products under any special or extraordinary environments or conditions. If you intend to use our Products under any special or extraordinary environments or conditions (as exemplified below), your independent verification and confirmation of product performance, reliability, etc. prior to use, must be necessary:
  - Use of our Products in any types of liquid, including water, oils, chemicals, and organic solvents
  - Use of our Products outdoors or in places where the Products are exposed to direct sunlight or dust
  - Use of our Products in places where the Products are exposed to sea wind or corrosive gases, including Cl<sub>2</sub>, H<sub>2</sub>S, NH<sub>3</sub>, SO<sub>2</sub>, and NO<sub>2</sub>
  - Use of our Products in places where the Products are exposed to static electricity or electromagnetic waves
  - Use of our Products in proximity to heat-producing components, plastic cords, or other flammable items
  - Sealing or coating our Products with resin or other coating materials
  - Use of our Products without cleaning residue of flux (even if you use no-clean type fluxes, cleaning residue of flux is recommended); or Washing our Products by using water or water-soluble cleaning agents for cleaning residue after soldering
  - Use of the Products in places subject to dew condensation
- The Products are not subject to radiation-proof design.
- Please verify and confirm characteristics of the final or mounted products in using the Products.
- In particular, if a transient load (a large amount of load applied in a short period of time, such as pulse. is applied, confirmation of performance characteristics after on-board mounting is strongly recommended. Avoid applying power exceeding normal rated power; exceeding the power rating under steady-state loading condition may negatively affect product performance and reliability.
- De-rate Power Dissipation depending on ambient temperature. When used in sealed area, confirm that it is the use in the range that does not exceed the maximum junction temperature.
- Confirm that operation temperature is within the specified range described in the product specification.
- ROHM shall not be in any way responsible or liable for failure induced under deviant condition from what is defined in this document.

## Precaution for Mounting / Circuit board design

- When a highly active halogenous (chlorine, bromine, etc.) flux is used, the residue of flux may negatively affect product performance and reliability.
- In principle, the reflow soldering method must be used on a surface-mount products, the flow soldering method must be used on a through hole mount products. If the flow soldering method is preferred on a surface-mount products, please consult with the ROHM representative in advance.

For details, please refer to ROHM Mounting specification

### Precautions Regarding Application Examples and External Circuits

1. If change is made to the constant of an external circuit, please allow a sufficient margin considering variations of the characteristics of the Products and external components, including transient characteristics, as well as static characteristics.
2. You agree that application notes, reference designs, and associated data and information contained in this document are presented only as guidance for Products use. Therefore, in case you use such information, you are solely responsible for it and you must exercise your own independent verification and judgment in the use of such information contained in this document. ROHM shall not be in any way responsible or liable for any damages, expenses or losses incurred by you or third parties arising from the use of such information.

### Precaution for Electrostatic

This Product is electrostatic sensitive product, which may be damaged due to electrostatic discharge. Please take proper caution in your manufacturing process and storage so that voltage exceeding the Products maximum rating will not be applied to Products. Please take special care under dry condition (e.g. Grounding of human body / equipment / solder iron, isolation from charged objects, setting of ionizer, friction prevention and temperature / humidity control).

### Precaution for Storage / Transportation

1. Product performance and soldered connections may deteriorate if the Products are stored in the places where:
  - [a] the Products are exposed to sea winds or corrosive gases, including Cl<sub>2</sub>, H<sub>2</sub>S, NH<sub>3</sub>, SO<sub>2</sub>, and NO<sub>2</sub>
  - [b] the temperature or humidity exceeds those recommended by ROHM
  - [c] the Products are exposed to direct sunshine or condensation
  - [d] the Products are exposed to high Electrostatic
2. Even under ROHM recommended storage condition, solderability of products out of recommended storage time period may be degraded. It is strongly recommended to confirm solderability before using Products of which storage time is exceeding the recommended storage time period.
3. Store / transport cartons in the correct direction, which is indicated on a carton with a symbol. Otherwise bent leads may occur due to excessive stress applied when dropping of a carton.
4. Use Products within the specified time after opening a humidity barrier bag. Baking is required before using Products of which storage time is exceeding the recommended storage time period.

### Precaution for Product Label

A two-dimensional barcode printed on ROHM Products label is for ROHM's internal use only.

### Precaution for Disposition

When disposing Products please dispose them properly using an authorized industry waste company.

### Precaution for Foreign Exchange and Foreign Trade act

Since concerned goods might be fallen under listed items of export control prescribed by Foreign exchange and Foreign trade act, please consult with ROHM in case of export.

### Precaution Regarding Intellectual Property Rights

1. All information and data including but not limited to application example contained in this document is for reference only. ROHM does not warrant that foregoing information or data will not infringe any intellectual property rights or any other rights of any third party regarding such information or data.
2. ROHM shall not have any obligations where the claims, actions or demands arising from the combination of the Products with other articles such as components, circuits, systems or external equipment (including software).
3. No license, expressly or implied, is granted hereby under any intellectual property rights or other rights of ROHM or any third parties with respect to the Products or the information contained in this document. Provided, however, that ROHM will not assert its intellectual property rights or other rights against you or your customers to the extent necessary to manufacture or sell products containing the Products, subject to the terms and conditions herein.

### Other Precaution

1. This document may not be reprinted or reproduced, in whole or in part, without prior written consent of ROHM.
2. The Products may not be disassembled, converted, modified, reproduced or otherwise changed without prior written consent of ROHM.
3. In no event shall you use in any way whatsoever the Products and the related technical information contained in the Products or this document for any military purposes, including but not limited to, the development of mass-destruction weapons.
4. The proper names of companies or products described in this document are trademarks or registered trademarks of ROHM, its affiliated companies or third parties.

**General Precaution**

1. Before you use our Products, you are requested to carefully read this document and fully understand its contents. ROHM shall not be in any way responsible or liable for failure, malfunction or accident arising from the use of any ROHM's Products against warning, caution or note contained in this document.
2. All information contained in this document is current as of the issuing date and subject to change without any prior notice. Before purchasing or using ROHM's Products, please confirm the latest information with a ROHM sales representative.
3. The information contained in this document is provided on an "as is" basis and ROHM does not warrant that all information contained in this document is accurate and/or error-free. ROHM shall not be in any way responsible or liable for any damages, expenses or losses incurred by you or third parties resulting from inaccuracy or errors of or concerning such information.