

AN-1725 LM5015 Non-Isolated Two-Switch DC-DC Regulator Evaluation Board

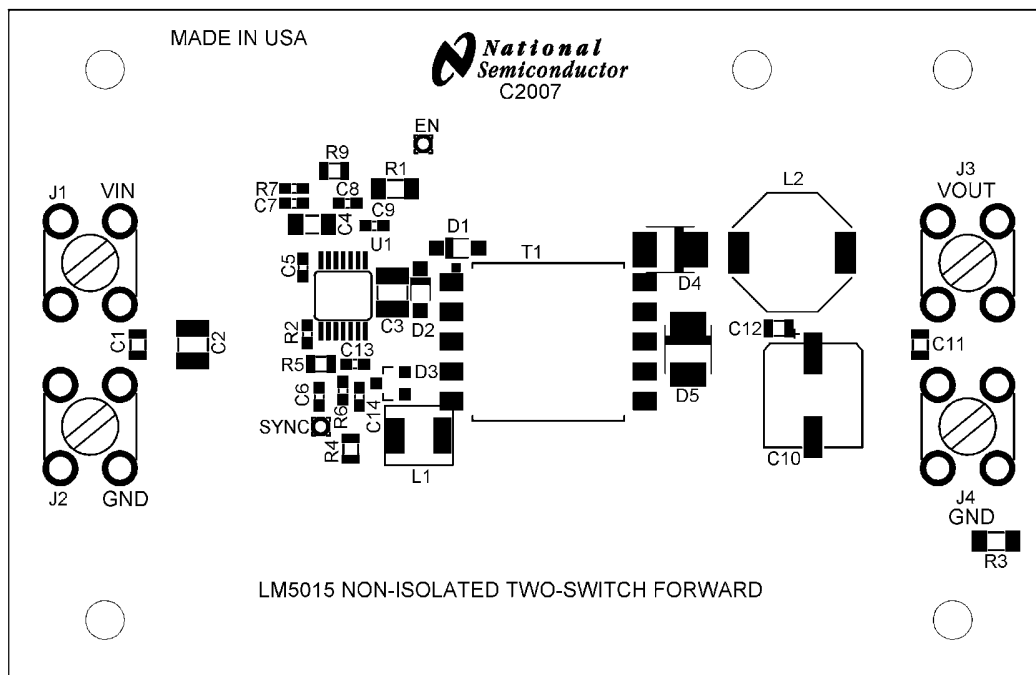
1 Introduction

The LM5015 Non-Isolated DC-DC Regulator evaluation board provides a low cost and fully functional DC-DC regulator without employing any discrete power MOSFET. The evaluation board can be configured as either a Non-Isolated Two-Switch Forward DC-DC Regulator, or a Two-Switch Flyback DC-DC Regulator. The factory default configuration of the evaluation board is Forward topology. The former configuration will produce about 2% higher efficiency and lower output ripple voltage than the flyback. Whereas, the Flyback configuration costs slightly less. Suggestion to reconfigure the evaluation board as an Non-Isolated Two-Switch Flyback DC-DC Regulator is provided at the end of this article.

For detailed features and technical information of the LM5015 device, see the *LM5015 High Voltage Monolithic Two-Switch Forward DC-DC Regulator Data Sheet* ([SNVS538](#)). For isolated applications, see the *AN-1724 LM5015 Isolated Two-Switch DC-DC Regulator Evaluation Board User's Guide* ([SNVA291](#)).

The evaluation board features:

- Input Voltage: 36V to 72V
- Output Voltage: 5V
- Output Current: 0A minimum, 2.5A nominal, and 3A maximum
- Input UVLO Threshold: 34V nominal
- Measured Efficiency: 86% ($V_{IN} = 48V$, $I_{OUT} = 2.5A$)
- Switching Frequency: 300 kHz
- Ability to Synchronize to External Clock
- Ability to Be Remote Controlled (Enable/Disable)
- Two Layer PC Board and Top Side Component Placement
- Configurable as Either a Forward (Factory Default) or a Flyback Regulator
- Board Size (WxLxH): 2.5 in. x 3.5 in. x 0.63 in


Figure 1. Evaluation Board Layout

2 Board Connections/Start-up

Figure 1 shows the PC board layout. The input connections are made to connectors J1 (high potential) and J2 (input return). The load is connected between connectors J3 (5V) and J4 (5V return). Ensure the wires are adequately sized for the intended load current.

A DC power supply capable of at least 75V and 0.5A is recommended as the input power source for the evaluation board. Use the output over-voltage and over-current limit features of the DC power supply to protect the board against damage by errant connections.

A resistive load is optimal, but an appropriate electronic load is acceptable. The maximum load current is 3A. Exceeding this current will cause the LM5015 to enter cycle-by-cycle peak current limit mode, and the output voltage will fall below the regulated 5V. Current limit mode is triggered whenever the primary switch current exceeds 1.2A (nominal).

During the first power up, the load should be kept reasonably low, e.g. <math><0.1\text{A}</math>. Before start-up, a voltmeter should be connected to the input terminals, and to the output terminals. The load current should be monitored with an ammeter or a current probe. It is recommended that the input voltage be increased gradually.

Before the input voltage reach about 34V, which is the evaluation board's Under Voltage Lock-Out (VULO) threshold preset with R9 and R10, there should be no output voltage, and the input current should be lower than 10 mA. Otherwise, remove power immediately and verify if the input polarity is reversed.

When the input voltage is increased to 36V, the output voltage should be established at 5V nominal. If that indicates correctly, increase the input voltage gradually to 72V maximum and the output voltage should be regulated at $5\text{V} \pm 1.5\%$ over the entire input voltage range from 36V to 72V. Otherwise, remove power and check if the connection is correct.

Once the proper setup has been established, full load can be applied. A final check of efficiency is suggested to confirm that the unit is operating properly. Efficiency significantly lower than 80% at full load indicates a problem.

The evaluation board can be synchronized to an external clock of faster than the board's native oscillator frequency, which is twice the switching frequency F_{SW} . Note that the LM5015 oscillator uses a divide-by-2 circuit and the actually switching frequency is half the oscillator frequency set by R2. Since the evaluation board's switching frequency is 300 kHz, the external clock should be faster than 600 kHz. The external clock signal should feed into the plated via hole of the SYNC port, referenced to the AGND node. For the requirement of the external clock signal for successful synchronization, see the *LM5015 High Voltage Monolithic Two-Switch Forward DC-DC Regulator Data Sheet (SNVS538)*.

The evaluation board can be remote controlled for enabling and disabling. The control port on the PC board is the plated via hole dedicated to EN node. The remote control signal should be referenced to the AGND node. For detailed information of remote control, see the *LM5015 High Voltage Monolithic Two-Switch Forward DC-DC Regulator Data Sheet (SNVS538)*.

3 Non-Isolated Two-Switch Forward DC-DC Regulator

Figure 2 shows the schematic of the evaluation board in default configuration of a Two-Switch Forward DC-DC regulator. The two MOSFET switches are integrated in the LM5015, and the regulator is implemented without using any discrete power MOSFET. A transformer winding between pins 4 and 5 of T1 is used to produce 10V Vcc for the LM5015, thus blocking the internal LDO regulator during normal operation and improving efficiency. For the schematic of optional Non-Isolated Two-Switch Flyback DC-DC Regulator, see Figure 6.

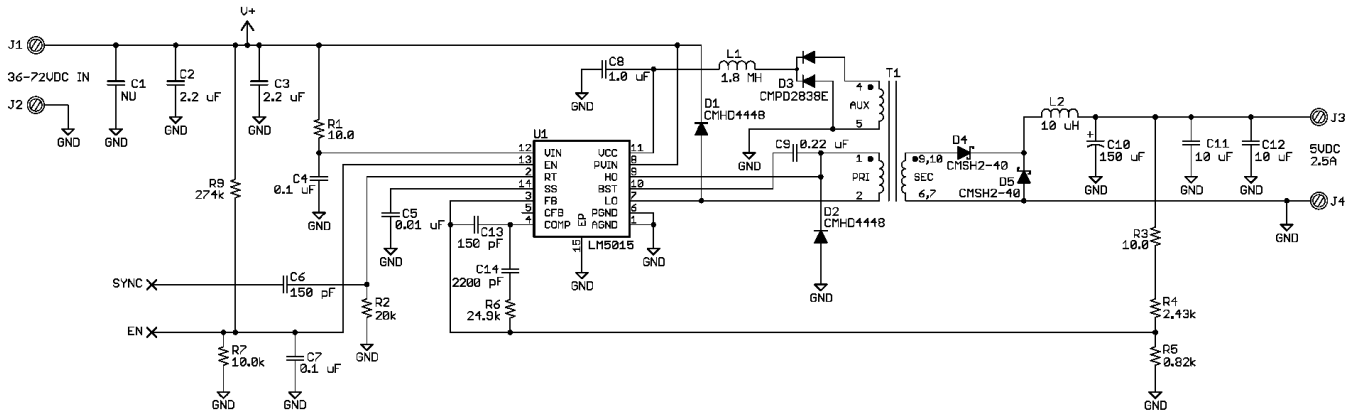


Figure 2. Schematic of Non-Isolated Two Forward DC-DC Regulator (Factory Default)

4 Board Layout and Probing

- The LM5015, and the diodes D3 and D4 will be hot to the touch when operating at high input voltage and/or high load current.
- Use CAUTION when probing the circuit at high input voltages. 72 volts is enough to produce shocks and sparks.
- At maximum load current (3A), the wire size and length used to connect the load become important. Ensure there is not a significant voltage drop along the wires.

5 Typical Performance Characteristics

Figure 3 shows the overall efficiency of the evaluation board in the Two-Switch Forward configuration.

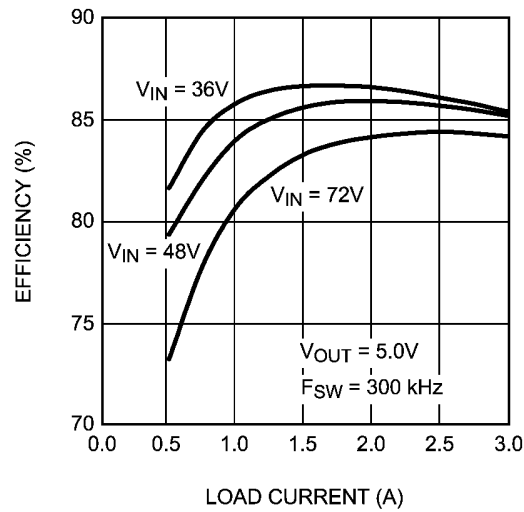
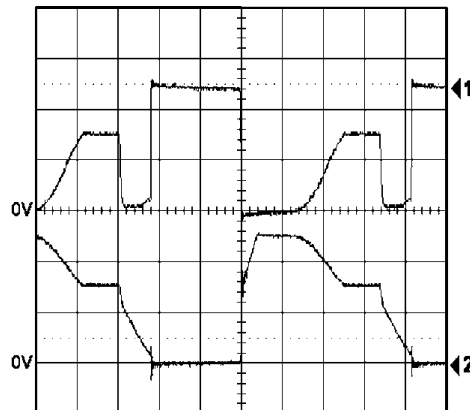


Figure 3. Evaluation Board Efficiency vs Input Voltage vs Load

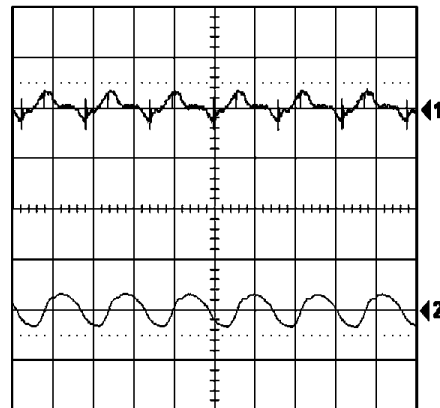
Figure 4 shows key voltage waveforms at switch nodes HO and LO under full load (2.5A) and mid input voltage (48V).



Horizontal Resolution: 0.5 μ s/div
 Trace 1: The HO pin voltage. 20V/div
 Trace 2: The LO pin voltage. 20V/div
 Operating condition: $V_{in} = 48V$, $V_{out} = 5V$, $I_{out} = 2.5A$

Figure 4. Key Voltage Waveforms at the HO and LO Pins

Figure 5 shows the input ripple current and output ripple voltage full load (2.5A) and mid input voltage (48V).



Horizontal Resolution: 2 µs/div
 Trace 1: The output voltage ripples (ac coupled). 50 mV/div
 Trace 2: The input current ripples (ac coupled). 100 mA/div
 Operating condition: Vin = 48V, Vout = 5V, Iout = 2.5A

Figure 5. Input Ripple Current and Output Ripple Voltage

6 Schematic of Non-Isolated Two-Switch Flyback DC-DC Regulator

Figure 6 shows the schematic to reconfigure the evaluation board as a Non-Isolated Two-Switch Flyback DC-DC regulator, see the changes in Section 8 at the end of this document. Note that the use of dual-diode D3 herein is owing to the D3 footprint on the PC board. Only the high side of the dual-diode D3 is used in Flyback configuration, and the low side diode is always reverse biased during normal operation.

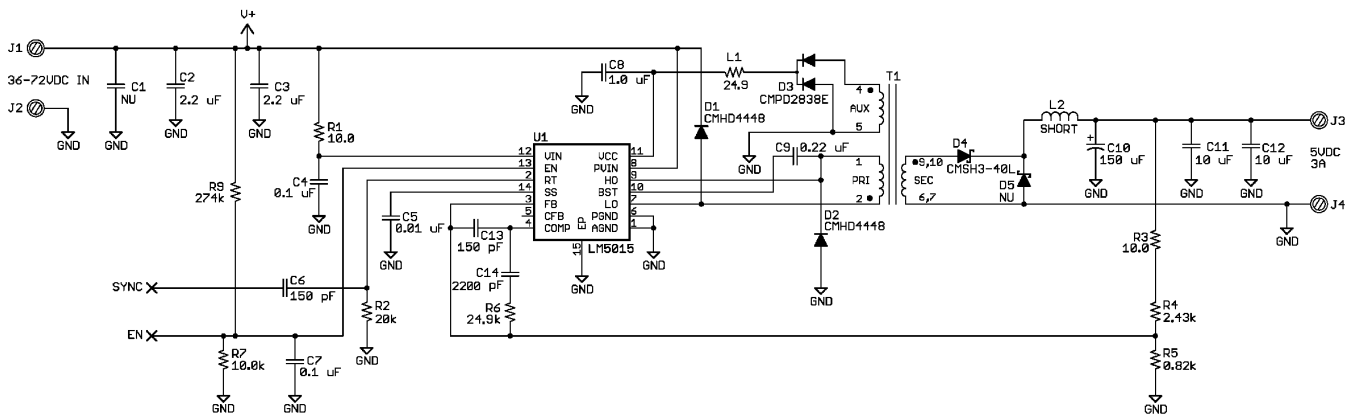
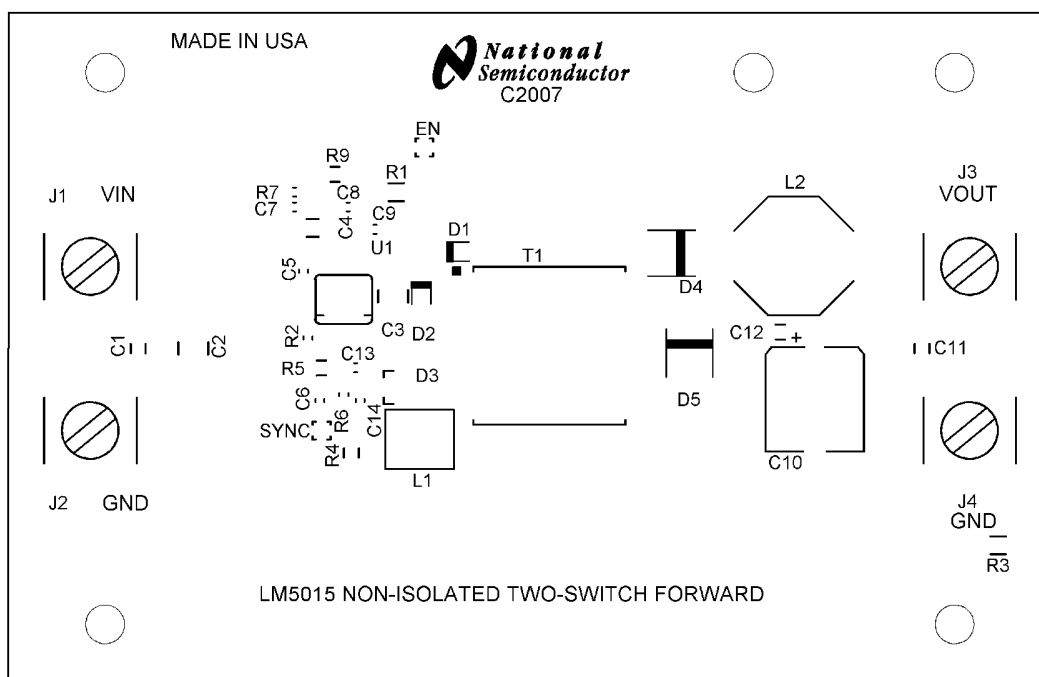


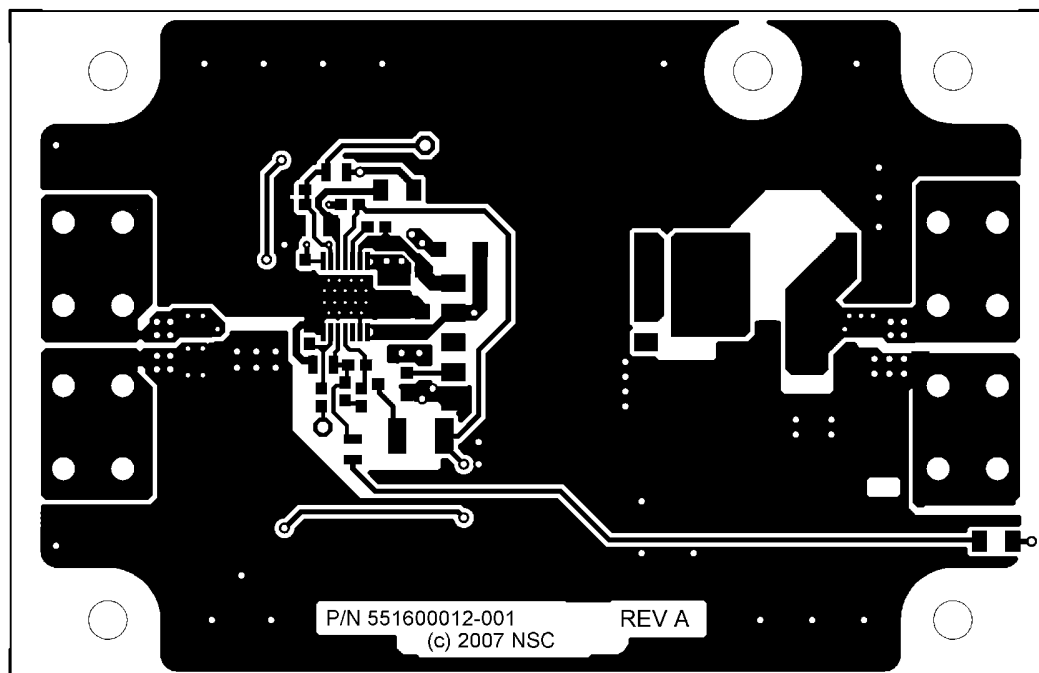
Figure 6. Schematic of Non-Isolated Two-Switch Flyback DC-DC Regulator Configuration

7 Evaluation Board PCB



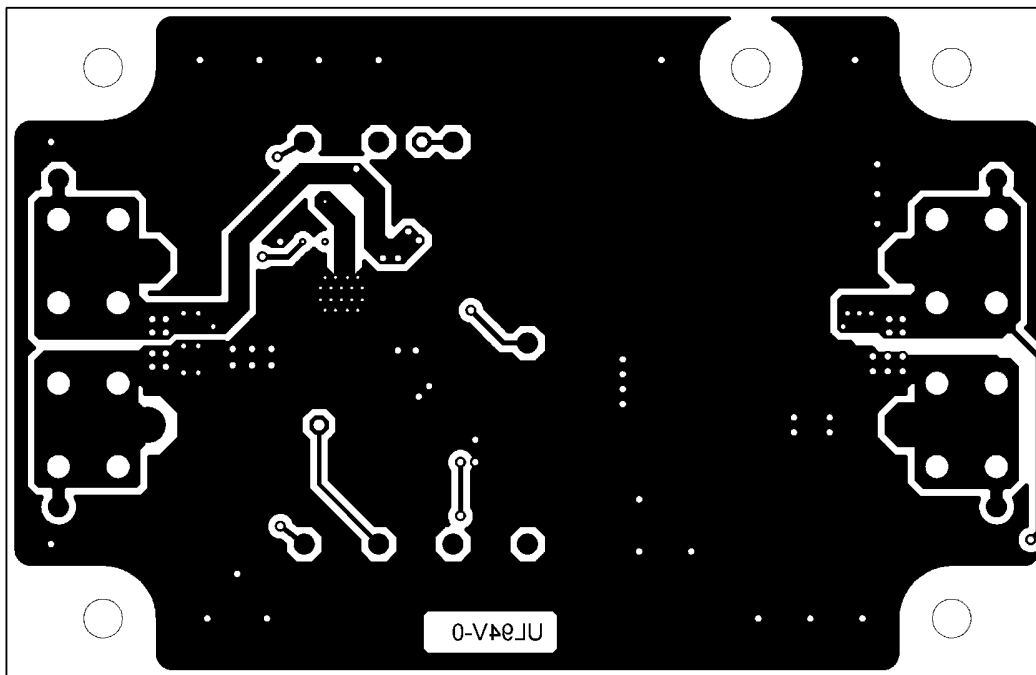
SILKSCREEN (PLACE) LAYER AS VIEWED FROM TOP

Figure 7. Silkscreen



TOP (COMPONENT) LAYER AS VIEWED FROM TOP

Figure 8. Top Layer



BOTTOM (SOLDER) LAYER AS VIEWED FROM TOP

Figure 9. Bottom Layer

8 Bill of Materials (BOM)

Table 1. Non-Isolated Two-Switch Forward DC-DC Regulator (Factory Default)

Item	Part Number	Description	Value
PCB	551600012-001 REV A	LM5015 Non-Iso Two-Switch Forward	
C1	NU		
C2	HMK325BJ225KN-T	CAPACITOR, CER, CC1210, TAIYO YUDEN	2.2 μ F, 100V
C3	HMK325BJ225KN-T	CAPACITOR, CER, CC1210, TAIYO YUDEN	2.2 μ F, 100V
C4	C3216X7R2A104K	CAPACITOR, CER, CC1206, TDK	0.1 μ F, 100V
C5	C1608X7R1H103K	CAPACITOR, CER, CC0603, TDK	0.01 μ F, 50V
C6	C0603C151J5GACTU	CAPACITOR, CER, CC0603, KEMET	150 pF, 50V
C7	C0603C104K5RACTU	CAPACITOR, CER, CC0603, KEMET	0.1 μ F, 50V
C8	ECJ-1VB1E105K	CAPACITOR, CER, CC0603, PANASONIC-ECG	1 μ F, 25V
C9	GRM188R71E224KA88D	CAPACITOR, CER, CC0603, MURATA	0.22 μ F, 25V
C10	APXA6R3ARA151MH70G	CAPACITOR, AL ELEC, NIPPON CHEMI-CON	150 μ F, 6.3V
C11	LMK212BJ106KD-T	CAPACITOR, CER, CC0805, TAIYO YUDEN	10 μ F, 10V
C12	LMK212BJ106KD-T	CAPACITOR, CER, CC0805, TAIYO YUDEN	10 μ F, 10V
C13	C0603C151J5GACTU	CAPACITOR, CER, CC0603, KEMET	150 pF, 50V
C14	C0603C222J3GAC	CAPACITOR, CER, CC0603, KEMET	2200 pF, 25V
D1	CMHD4448	DIODE, SOD-123, CENTRAL	75V, 250 mA
D2	CMHD4448	DIODE, SOD-123, CENTRAL	75V, 250 mA
D3	CMPD2838E	DIODE, DUAL, SOT-23, CENTRAL	75V, 200 mA
D4	CMSH2-40	DIODE, SCHOTTKY, SMB, CENTRAL	40V, 2A
D5	CMSH2-40	DIODE, SCHOTTKY, SMB, CENTRAL	40V, 2A

Table 1. Non-Isolated Two-Switch Forward DC-DC Regulator (Factory Default) (continued)

Item	Part Number	Description	Value
J1	7693	SCREW TERMINAL, VERTICAL, KEYSTONE	
J2	7693	SCREW TERMINAL, VERTICAL, KEYSTONE	
J3	7693	SCREW TERMINAL, VERTICAL, KEYSTONE	
J4	7693	SCREW TERMINAL, VERTICAL, KEYSTONE	
L1	LPS4012-185MLB	INDUCTOR, COILCRAFT	1.8 μ H
L2	SRU1048-100Y	INDUCTOR, BOURNS	10 μ H, 3.7A
R1	CRCW120610R0J	RESISTOR, 1206	10 Ohm
R2	CRCW06032002F	RESISTOR, 0603	20k
R3	CRCW120610R0J	RESISTOR, 1206	10 Ohm
R4	CRCW08052431F	RESISTOR, 0805	2.43k
R5	CRCW08058200F	RESISTOR, 0805	820 Ohm
R6	CRCW08052492F	RESISTOR, 0805	24.9k
R7	CRCW06031002F	RESISTOR, 0603	10k
R9	CRCW08052743F	RESISTOR, 0805	274k
T1-A	GA2983-CL	FORWARD TRANSFORMER, COILCRAFT	OPTION 1
T1-B	PA2194NL	FORWARD TRANSFORMER, PULSE	OPTION 2
U1	LM5015	2-SW FWD REG, TSSOP-14EP, Texas Instruments	

Table 2. Bill of Materials (BOM) Changes to Configure the Evaluation Board as a Non-Isolated Two-Switch Flyback DC-DC Regulator With 5V 2.5A output

Item	Part Number	Description	Value
D4	CMDH3-40L	DIODE, SCHOTTKY, SMC, CENTRAL	40V, 3A
D5	NU	DO NOT INSTALL	
L1	CRCW120624R9J	RESISTOR, 1206	24.9 Ohm
L2	SHORT	AWG 24 BUS WIRE	0 Ohm
T1-A	GA3372-AL	FLBACK TRANSFORMER, COILCRAFT	OPTION 1
T1-B	PA2367NL	FLYBACK TRANSFORMER, PULSE	OPTION 2

IMPORTANT NOTICE

Texas Instruments Incorporated and its subsidiaries (TI) reserve the right to make corrections, enhancements, improvements and other changes to its semiconductor products and services per JESD46, latest issue, and to discontinue any product or service per JESD48, latest issue. Buyers should obtain the latest relevant information before placing orders and should verify that such information is current and complete. All semiconductor products (also referred to herein as "components") are sold subject to TI's terms and conditions of sale supplied at the time of order acknowledgment.

TI warrants performance of its components to the specifications applicable at the time of sale, in accordance with the warranty in TI's terms and conditions of sale of semiconductor products. Testing and other quality control techniques are used to the extent TI deems necessary to support this warranty. Except where mandated by applicable law, testing of all parameters of each component is not necessarily performed.

TI assumes no liability for applications assistance or the design of Buyers' products. Buyers are responsible for their products and applications using TI components. To minimize the risks associated with Buyers' products and applications, Buyers should provide adequate design and operating safeguards.

TI does not warrant or represent that any license, either express or implied, is granted under any patent right, copyright, mask work right, or other intellectual property right relating to any combination, machine, or process in which TI components or services are used. Information published by TI regarding third-party products or services does not constitute a license to use such products or services or a warranty or endorsement thereof. Use of such information may require a license from a third party under the patents or other intellectual property of the third party, or a license from TI under the patents or other intellectual property of TI.

Reproduction of significant portions of TI information in TI data books or data sheets is permissible only if reproduction is without alteration and is accompanied by all associated warranties, conditions, limitations, and notices. TI is not responsible or liable for such altered documentation. Information of third parties may be subject to additional restrictions.

Resale of TI components or services with statements different from or beyond the parameters stated by TI for that component or service voids all express and any implied warranties for the associated TI component or service and is an unfair and deceptive business practice. TI is not responsible or liable for any such statements.

Buyer acknowledges and agrees that it is solely responsible for compliance with all legal, regulatory and safety-related requirements concerning its products, and any use of TI components in its applications, notwithstanding any applications-related information or support that may be provided by TI. Buyer represents and agrees that it has all the necessary expertise to create and implement safeguards which anticipate dangerous consequences of failures, monitor failures and their consequences, lessen the likelihood of failures that might cause harm and take appropriate remedial actions. Buyer will fully indemnify TI and its representatives against any damages arising out of the use of any TI components in safety-critical applications.

In some cases, TI components may be promoted specifically to facilitate safety-related applications. With such components, TI's goal is to help enable customers to design and create their own end-product solutions that meet applicable functional safety standards and requirements. Nonetheless, such components are subject to these terms.

No TI components are authorized for use in FDA Class III (or similar life-critical medical equipment) unless authorized officers of the parties have executed a special agreement specifically governing such use.

Only those TI components which TI has specifically designated as military grade or "enhanced plastic" are designed and intended for use in military/aerospace applications or environments. Buyer acknowledges and agrees that any military or aerospace use of TI components which have **not** been so designated is solely at the Buyer's risk, and that Buyer is solely responsible for compliance with all legal and regulatory requirements in connection with such use.

TI has specifically designated certain components as meeting ISO/TS16949 requirements, mainly for automotive use. In any case of use of non-designated products, TI will not be responsible for any failure to meet ISO/TS16949.

Products

Audio	www.ti.com/audio
Amplifiers	amplifier.ti.com
Data Converters	dataconverter.ti.com
DLP® Products	www.dlp.com
DSP	dsp.ti.com
Clocks and Timers	www.ti.com/clocks
Interface	interface.ti.com
Logic	logic.ti.com
Power Mgmt	power.ti.com
Microcontrollers	microcontroller.ti.com
RFID	www.ti-rfid.com
OMAP Applications Processors	www.ti.com/omap
Wireless Connectivity	www.ti.com/wirelessconnectivity

Applications

Automotive and Transportation	www.ti.com/automotive
Communications and Telecom	www.ti.com/communications
Computers and Peripherals	www.ti.com/computers
Consumer Electronics	www.ti.com/consumer-apps
Energy and Lighting	www.ti.com/energy
Industrial	www.ti.com/industrial
Medical	www.ti.com/medical
Security	www.ti.com/security
Space, Avionics and Defense	www.ti.com/space-avionics-defense
Video and Imaging	www.ti.com/video

TI E2E Community

e2e.ti.com