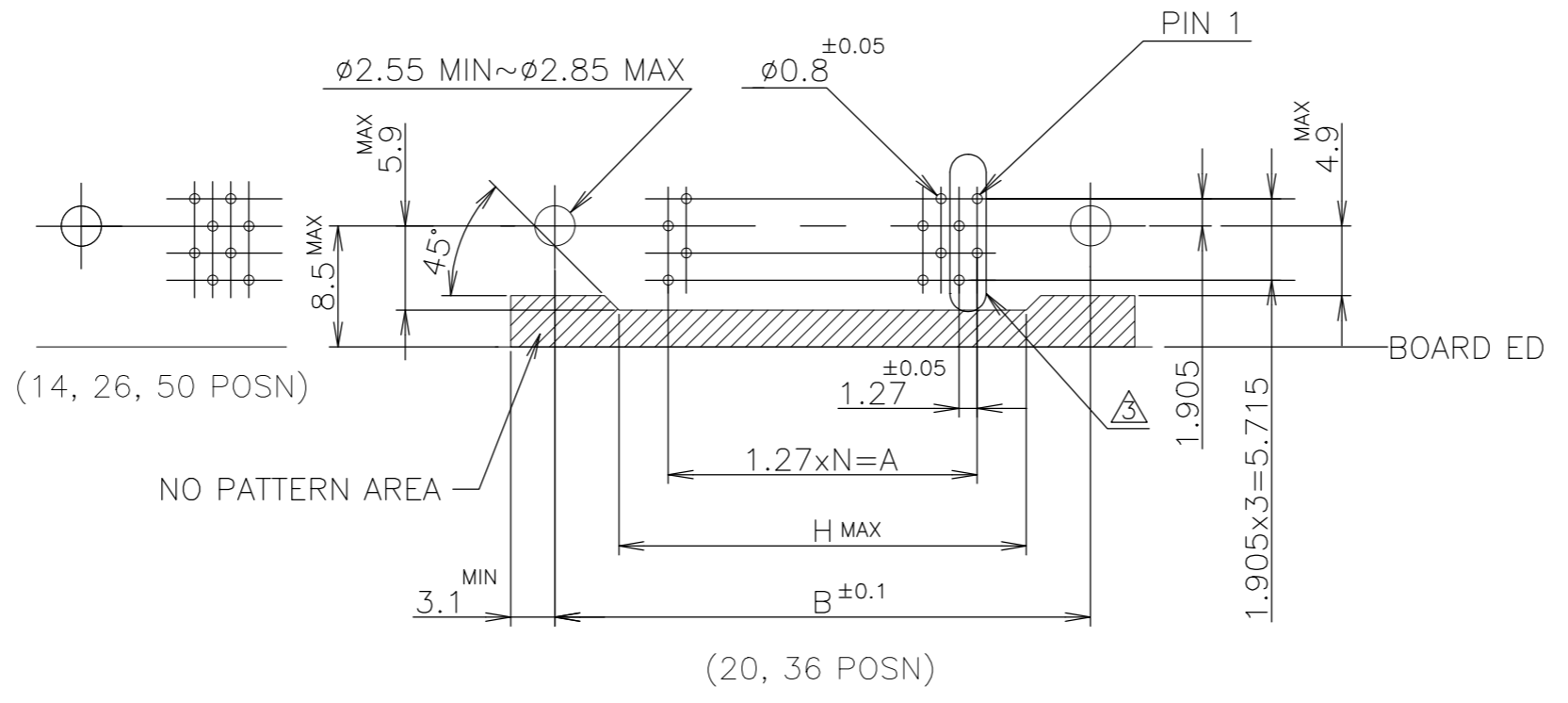
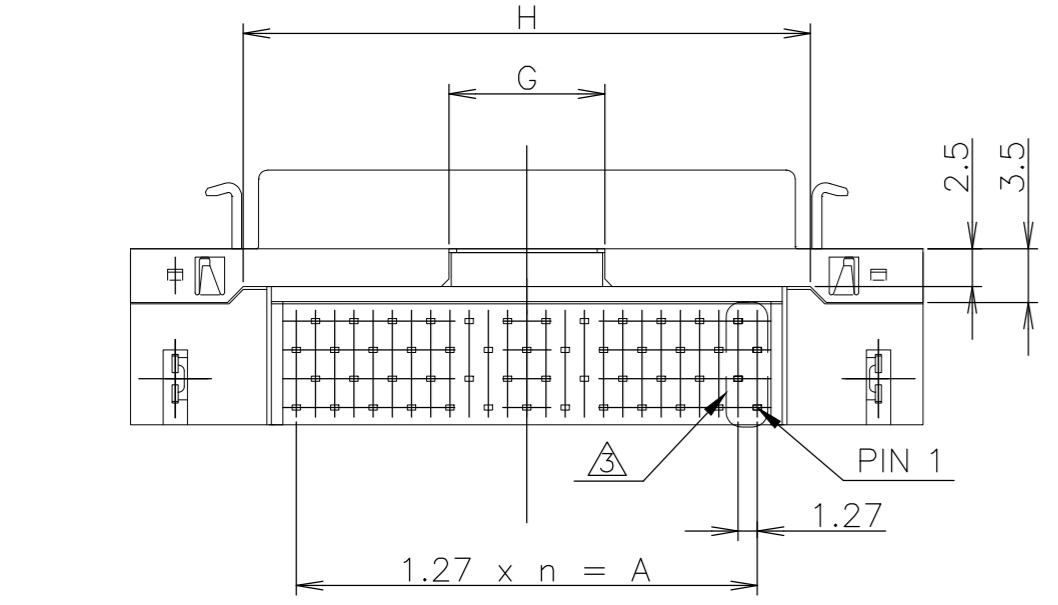
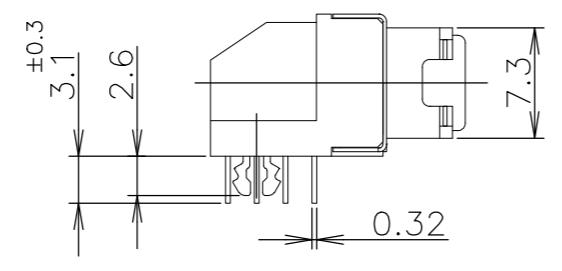
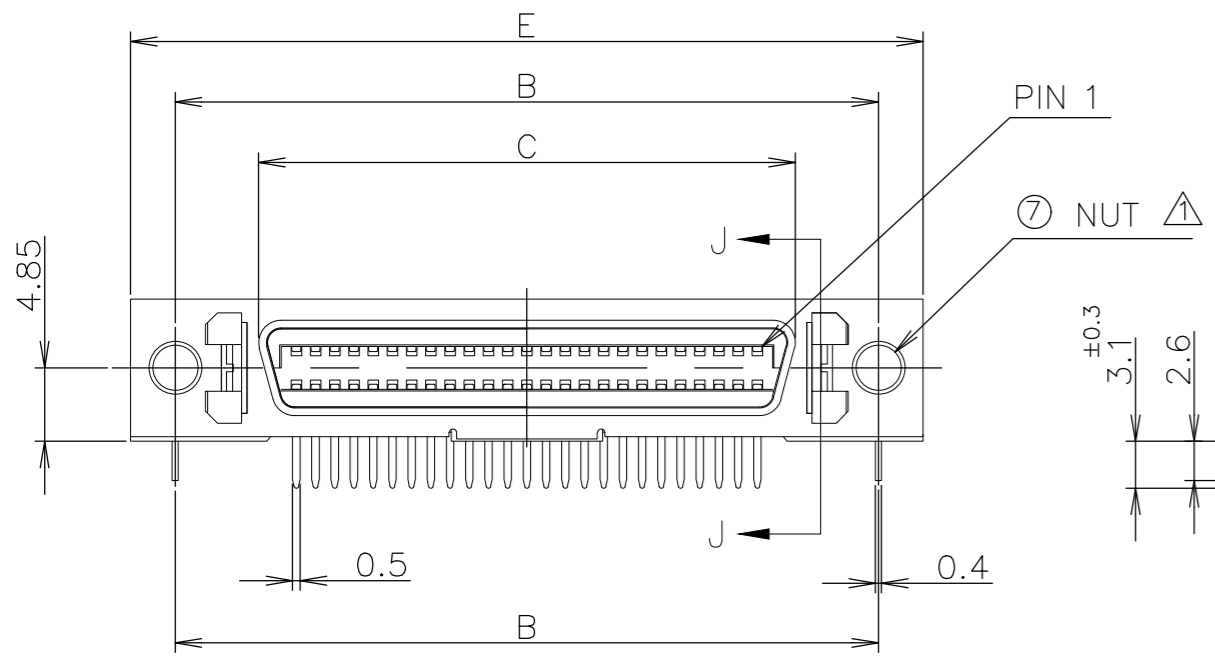
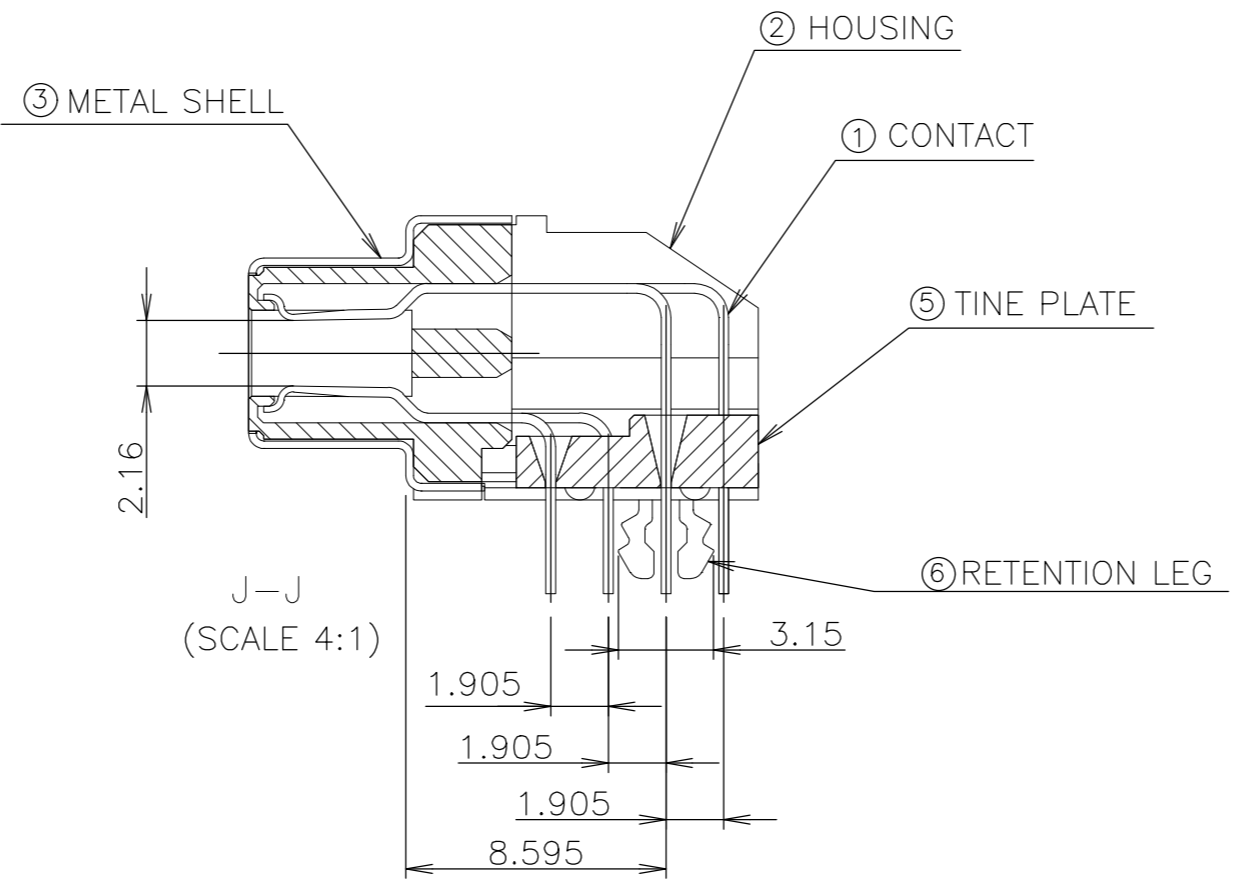
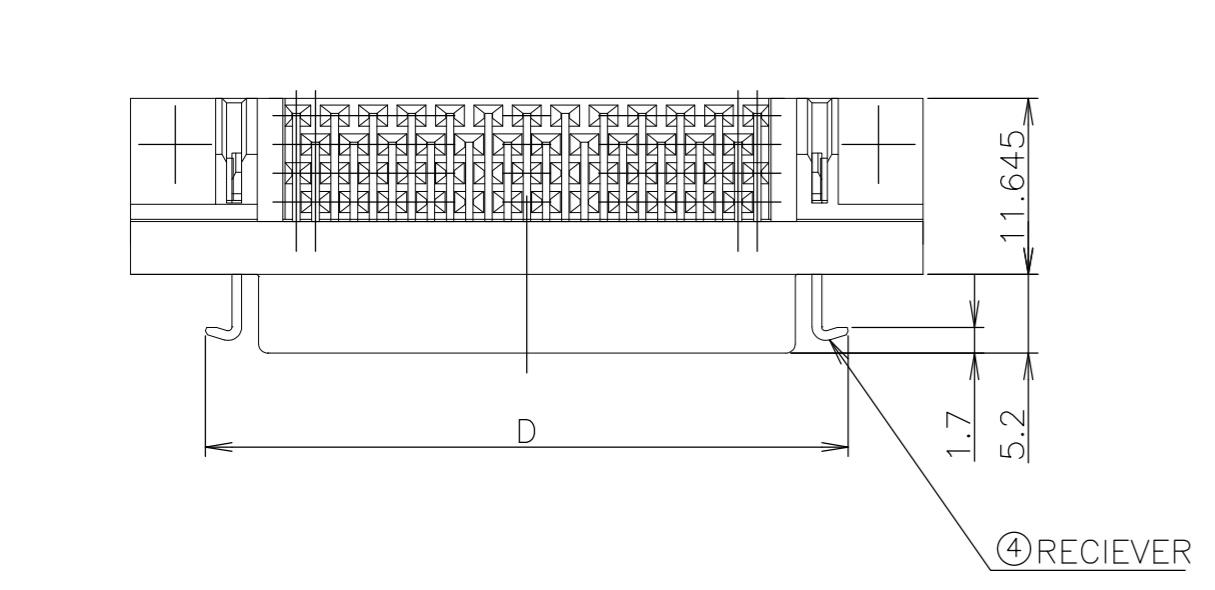


REVISIONS					
P	LTR	DESCRIPTION	DATE	DWN	APVD
S		REVISED PER ECO-19-014246	22JAN2020	VM	SH

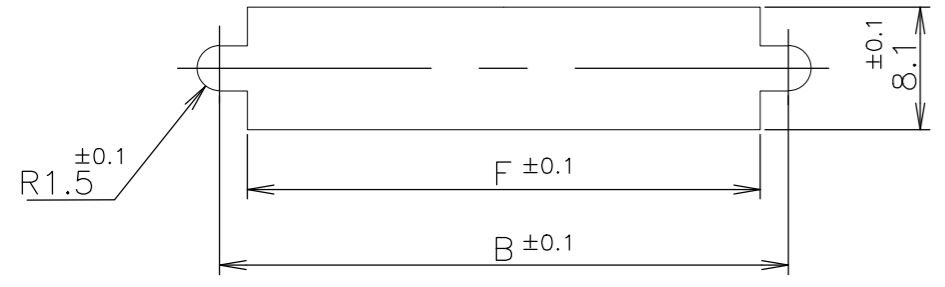


ITEM	(MATERIAL)	(FINISH)
①	COPPER ALLOY	NICKEL UNDER PLATE ALL OVER CONTACT AREA ; Au(0.0001) SOLDER TINE AREA ; TIN PLATE
② ⑤	PBT OR PA6T	COLOR : PBT BLACK PA6T NATURAL
③	STEEL THK0.25	NICKEL PLATE OVER COPPER UNDERPLATE
④	STAINLESS STEEL	
⑥	COPPER ALLOY	NICKEL UNDER PLATE ALL OVER. TIN PLATING ALL OVER.
⑦	STEEL	NICKEL PLATE OVER COPPER UNDERPLATE

△ RECOMMENDED SCREW SIZE ; M2.6 PANHEAD SCREW.(L=5)
 2 RECOMMENDED P.C BOARD THICKNESS ; 1.6mm±0.15
 ▽ POST PATTERN AS SHOWN ON THIS END FOR ALL POSITION.

LEAD FREE

RECOMMENDED PC BOARD MOUNTING DIMMENSION COMPONENT SIDE



RECOMENDED PANEL CUTOUT THK,2mm MAX

OBSOLETE	PA6T	37.5	10.3	42.8	52.40	42.50	35.48	46.50	30.48	24	50	1-5917738-7
OBSOLETE	PA6T	28.61	8.3	33.9	43.51	33.61	26.59	37.61	21.59	17	36	1-5917738-5
OBSOLETE	PBT	37.5	10.3	42.8	52.40	42.50	35.48	46.50	30.48	24	50	5917738-7
	PBT	28.61	8.3	33.9	43.51	33.61	26.59	37.61	21.59	17	36	5917738-5
	PBT	22.26	8.3	27.6	37.16	27.26	20.24	31.26	15.24	12	26	5917738-4
OBSOLETE	PBT	18.45	8.3	23.8	33.35	23.45	16.43	27.45	11.43	9	20	5917738-2
OBSOLETE	PBT	14.64	8.3	19.9	29.54	19.64	12.62	23.64	7.62	6	14	5917738-1

HSG MAT'L	H	G	F	E	D	C	B	A	N	POSITION	PART NO.

THIS DRAWING IS A CONTROLLED DOCUMENT.		DWN LEO ZHOU 30NOV04	TE Connectivity Ltd. CHAMP .050 SERIES(II) FMS-TYPE
DIMENSIONS: 单位: 毫米 mm		CHK STEVEN YAO 30NOV04	
TOLERANCES UNLESS OTHERWISE SPECIFIED: 一般公差		APVD JENOMOTO 30NOV04	
0 PLC ± 0.2 1 PLC ± 0.2 2 PLC ± 0.2 3 PLC ± 0.2 4 PLC ± 0.2 ANGLES ± 3		NAME 名称	
MATERIAL 材料	FINISH 仕上	WEIGHT	SIZE A2
CUSTOMER DRAWING		SCALE 2:1	CAGE CODE 00779
		DRIVING NO. 番号	DRAWING NO. C=5917738
		RESTRICTED TO	SHEET 1 OF 1
		REV S	