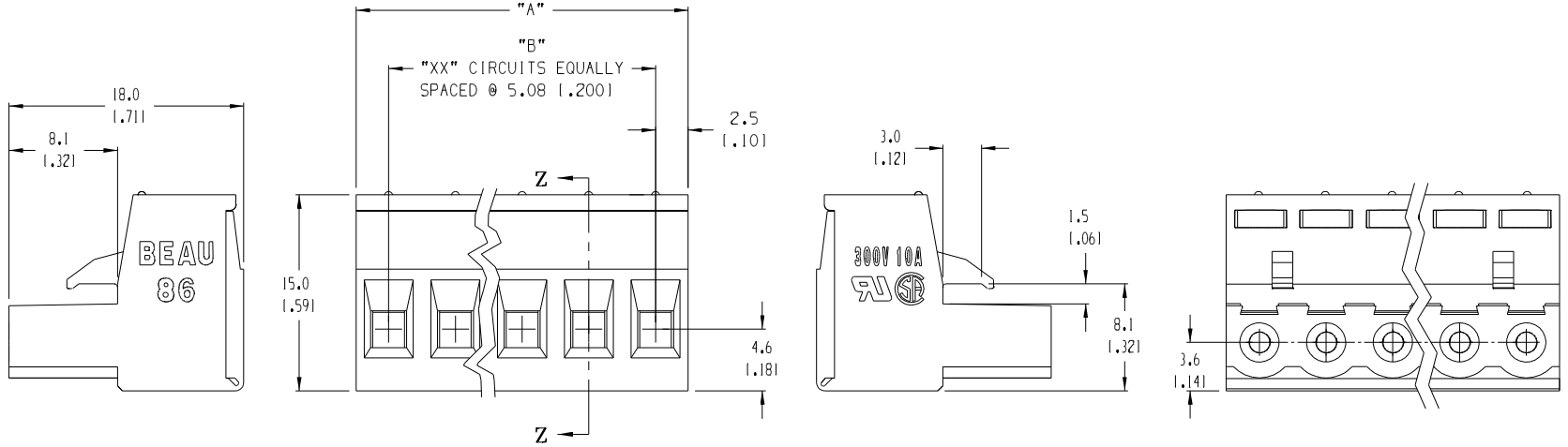
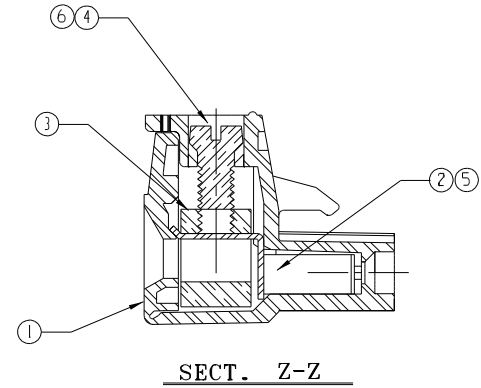
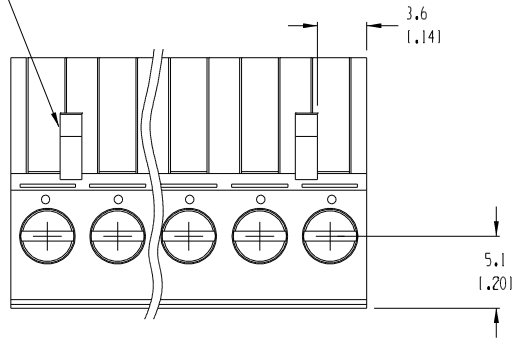


NOTES:

1. MATERIAL: SEE TABLE
2. FINISHES: SEE TABLE
3. PRODUCT SPECIFICATION: NOT REQUIRED
4. PACKAGING: NOT REQUIRED
5. MATES WITH: 5.08mm (.200in) BEAU EUROSTYLE HEADERS (39860 SERIES OR BEAU SERIES 86 HEADERS)
6. "XX" REFERS TO THE QUANTITY OF CIRCUITS.
7. SEE SHEET 2 FOR LENGTH TABLE AND CIRCUIT IMPRINTING OPTIONS.

39860-0102
ONE LATCH DETAIL
POSITIONED ON THIS END.



| ITEM | QTY. | DESCRIPTION | MATERIAL | FINISH |
|------|------|-----------------------------|-----------------|--------------------|
| 6 | "XX" | SCREW, M3 X 0.5 (-G30 OPT.) | PHOSPHOR BRONZE | TIN PLATE |
| 5 | "XX" | TERMINAL (-G30 OPTION) | PHOSPHOR BRONZE | GOLD PLATE |
| 4 | "XX" | SCREW, M3 X 0.5 | STEEL | ZN, CLEAR CHROMATE |
| 3 | "XX" | CAGE CLAMP | BRASS | NICKEL |
| 2 | "XX" | TERMINAL | PHOSPHOR BRONZE | HOT TIN DIP |
| 1 | 1 | INSULATOR | THERMO-PLASTIC | BLACK/GREEN |

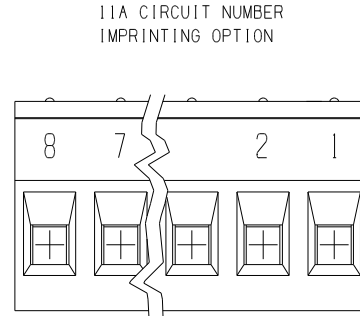
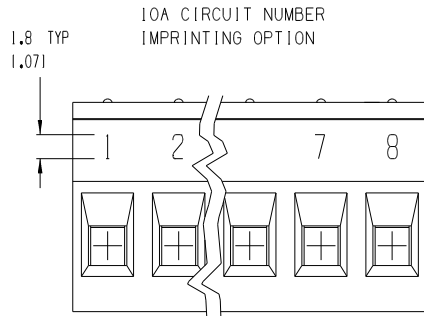
| | |
|-----------------|-------------------|
| EC NO. ECN 3884 | DRWN: JF 10-21-04 |
| CHK: CHIK | APPR: [Signature] |
| REV | DESCRIPTION |
| F | |

| | | | |
|-----------------|-------|----------|-----|
| QUALITY SYMBOLS | MAJOR | CRITICAL | SPC |
| | ▲ | ▼ | △ |
| | | | |

| | | |
|--|--|--|
| GENERAL TOLERANCES: (UNLESS SPECIFIED) | SCALE 3:1 | DESIGN UNITS <input type="checkbox"/> mm <input checked="" type="checkbox"/> INCH |
| 4 PLACES ±.0015 | DRAWN BY & DATE R. KEMP 12-6-01 | THIRD ANGLE PROJECTION |
| 3 PLACES ±.005 | CHECKED BY & DATE P. WALTZ 12-6-01 | TITLE: PUGGABLE SR BTS ASSY, (.200 CENTERS) WITH KEY FEATURE |
| 2 PLACES ±.13 | APPROVED BY & DATE L. ROTHMAUS 12-6-01 | MOLEX INCORPORATED |
| 1 PLACE ±.3 | CAD FILENAME 8685XX | MATERIAL NO. SEE SHT. 2 |
| ANGULAR: ±2° | | DRAWING NO. SD-39860-001 |
| DRAFT WHERE APPLICABLE MUST REMAIN WITHIN DIMENSIONS | | SHEET NO. 1 OF 2 |
| | | THIS DRAWING CONTAINS INFORMATION THAT IS PROPRIETARY TO MOLEX INCORPORATED AND SHOULD NOT BE USED WITHOUT WRITTEN PERMISSION. |
| | | SIZE B |

| | | |
|--|-----|--------------------|
| PROJECT NO. N/A | SHT | REV |
| DIMENSIONS: <input checked="" type="checkbox"/> mm <input type="checkbox"/> INCH | | REVISE ON CAD ONLY |

| NUMBER OF CIRCUITS "XX" | DIM "A" | DIM "B" | MATERIAL NO. (GREEN) | MATERIAL NO. (STD.) | MATERIAL NO. (-G30 OPTION) | MATERIAL NO. (-10A OPTION) | MATERIAL NO. (-11A OPTION) | MATERIAL NO. BTS | MATERIAL NO. GREEN BTS | ENG. NO. BTS | ENG. NO. GREEN BTS |
|-------------------------|---------|---------|----------------------|---------------------|----------------------------|----------------------------|----------------------------|------------------|------------------------|----------------|--------------------|
| 02 | .400 | .200 | 39860-3102 | 39860-0102 | 39861-0102 | 39862-0102 | 39863-0102 | 39868-1201 | 39868-3202 | 8683-0201-U000 | 8683-0203-U000 |
| 03 | .600 | .400 | 39860-3103 | 39860-0103 | 39861-0103 | 39862-0103 | | 39868-1203 | 39868-3203 | 8683-0301-U000 | 8683-0303-U000 |
| 04 | .800 | .600 | 39860-3104 | 39860-0104 | 39861-0104 | 39862-0104 | 39863-0104 | 39868-1204 | 39868-3204 | 8683-0401-U000 | 8683-0403-U000 |
| 05 | 1.000 | .800 | 39860-3105 | 39860-0105 | 39861-0105 | 39862-0105 | | 39868-1205 | 39868-3205 | 8683-0501-U000 | 8683-0503-U000 |
| 06 | 1.200 | 1.000 | 39860-3106 | 39860-0106 | 39861-0106 | 39862-0106 | | 39868-1206 | 39868-3206 | 8683-0601-U000 | 8683-0603-U000 |
| 07 | 1.400 | 1.200 | 39860-3107 | 39860-0107 | 39861-0107 | 39862-0107 | | 39868-1207 | 39868-3207 | 8683-0701-U000 | 8683-0703-U000 |
| 08 | 1.600 | 1.400 | 39860-3108 | 39860-0108 | 39861-0108 | 39862-0108 | 39863-0108 | 39868-1208 | 39868-3208 | 8683-0801-U000 | 8683-0803-U000 |
| 09 | 1.800 | 1.600 | 39860-3109 | 39860-0109 | 39861-0109 | | 39863-0109 | 39868-1209 | 39868-3209 | 8683-0901-U000 | 8683-0903-U000 |
| 10 | 2.000 | 1.800 | 39860-3110 | 39860-0110 | 39861-0110 | 39862-0110 | | 39868-1210 | 39868-3210 | 8683-1001-U000 | 8683-1003-U000 |
| 11 | 2.200 | 2.000 | 39860-3111 | 39860-0111 | 39861-0111 | | | 39868-1211 | 39868-3211 | 8683-1101-U000 | 8683-1103-U000 |
| 12 | 2.400 | 2.200 | 39860-3112 | 39860-0112 | 39861-0112 | 39862-0112 | 39863-0112 | 39868-1212 | 39868-3212 | 8683-1201-U000 | 8683-1203-U000 |
| 13 | 2.600 | 2.400 | 39860-3113 | 39860-0113 | 39861-0113 | 39862-0113 | | 39868-1213 | 39868-3213 | 8683-1301-U000 | 8683-1303-U000 |
| 14 | 2.800 | 2.600 | 39860-3114 | 39860-0114 | 39861-0114 | 39862-0114 | 39863-0114 | 39868-1214 | 39868-3214 | 8683-1401-U000 | 8683-1403-U000 |
| 15 | 3.000 | 2.800 | 39860-3115 | 39860-0115 | 39861-0115 | 39862-0115 | | 39868-1215 | 39868-3215 | 8683-1501-U000 | 8683-1503-U000 |
| 16 | 3.200 | 3.000 | 39860-3116 | 39860-0116 | 39861-0116 | 39862-0116 | | 39868-1216 | 39868-3216 | 8683-1601-U000 | 8683-1603-U000 |



| | | | | | | | | | | | | | | | | | | | |
|--|--|--|--|--------------------|------|----------|--|--------|----------|-------|-------|----------|------|------|---------|-----|--|---|---|
| EC NO. SEE SHEET 1 DRAWN: CH:YK APPR: | QUALITY SYMBOLS MAJOR: CRITICAL: SPC: | GENERAL TOLERANCES: (UNLESS SPECIFIED) <table border="1"> <tr> <td></td> <td>mm</td> <td>INCH</td> </tr> <tr> <td>4 PLACES</td> <td></td> <td>±.0015</td> </tr> <tr> <td>3 PLACES</td> <td>±.038</td> <td>±.005</td> </tr> <tr> <td>2 PLACES</td> <td>±.13</td> <td>±.01</td> </tr> <tr> <td>1 PLACE</td> <td>±.3</td> <td></td> </tr> </table> | | mm | INCH | 4 PLACES | | ±.0015 | 3 PLACES | ±.038 | ±.005 | 2 PLACES | ±.13 | ±.01 | 1 PLACE | ±.3 | | SCALE: 3:1 DESIGN UNITS: <input type="checkbox"/> mm <input checked="" type="checkbox"/> INCH THIRD ANGLE PROJECTION: | PROJECT NO. N/A DIMENSIONS: <input checked="" type="checkbox"/> mm <input type="checkbox"/> INCH <input type="checkbox"/> mm ONLY SHT: REV: |
| | | mm | INCH | | | | | | | | | | | | | | | | |
| | 4 PLACES | | ±.0015 | | | | | | | | | | | | | | | | |
| | 3 PLACES | ±.038 | ±.005 | | | | | | | | | | | | | | | | |
| 2 PLACES | ±.13 | ±.01 | | | | | | | | | | | | | | | | | |
| 1 PLACE | ±.3 | | | | | | | | | | | | | | | | | | |
| REV: | DRAFT WHERE APPLICABLE MUST REMAIN WITHIN DIMENSIONS | DRAWN BY & DATE: R. KEMP 12-6-01 CHECKED BY & DATE: P. WALTZ 12-6-01 APPROVED BY & DATE: L. ROTHHAUS 12-6-01 | TITLE: PLUGGABLE SR BTS ASSY, (1.200 CENTERS) WITH KEY FEATURE MOLEX INCORPORATED | REVISE ON CAD ONLY | | | | | | | | | | | | | | | |
| SPC: | ANGULAR: ±2° | CAD FILENAME: 8685XX | MATERIAL NO.: SEE CHART | SHEET NO.: 2 OF 2 | | | | | | | | | | | | | | | |
| THIS DRAWING CONTAINS INFORMATION THAT IS PROPRIETARY TO MOLEX INCORPORATED AND SHOULD NOT BE USED WITHOUT WRITTEN PERMISSION. | SIZE: B | | | | | | | | | | | | | | | | | | |