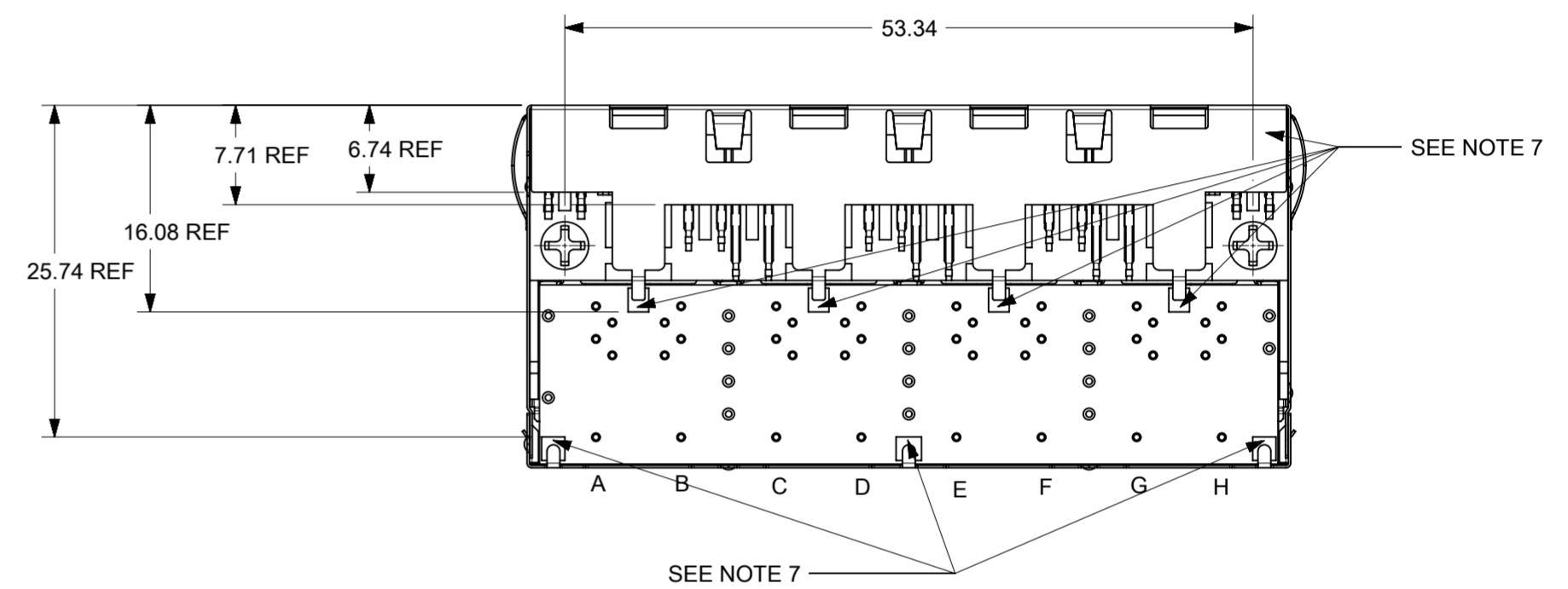
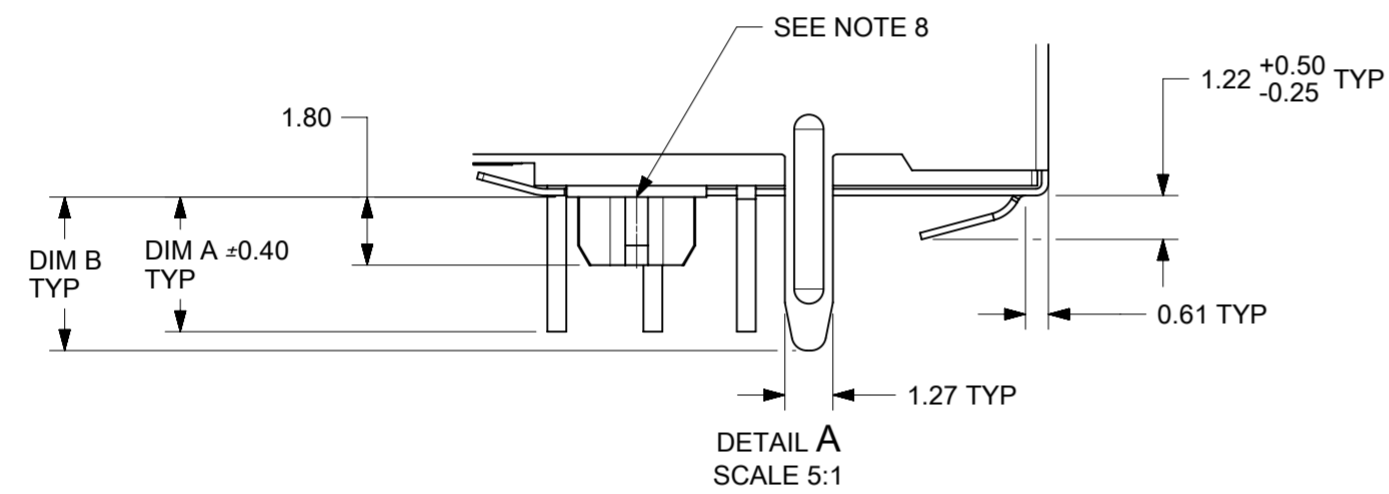
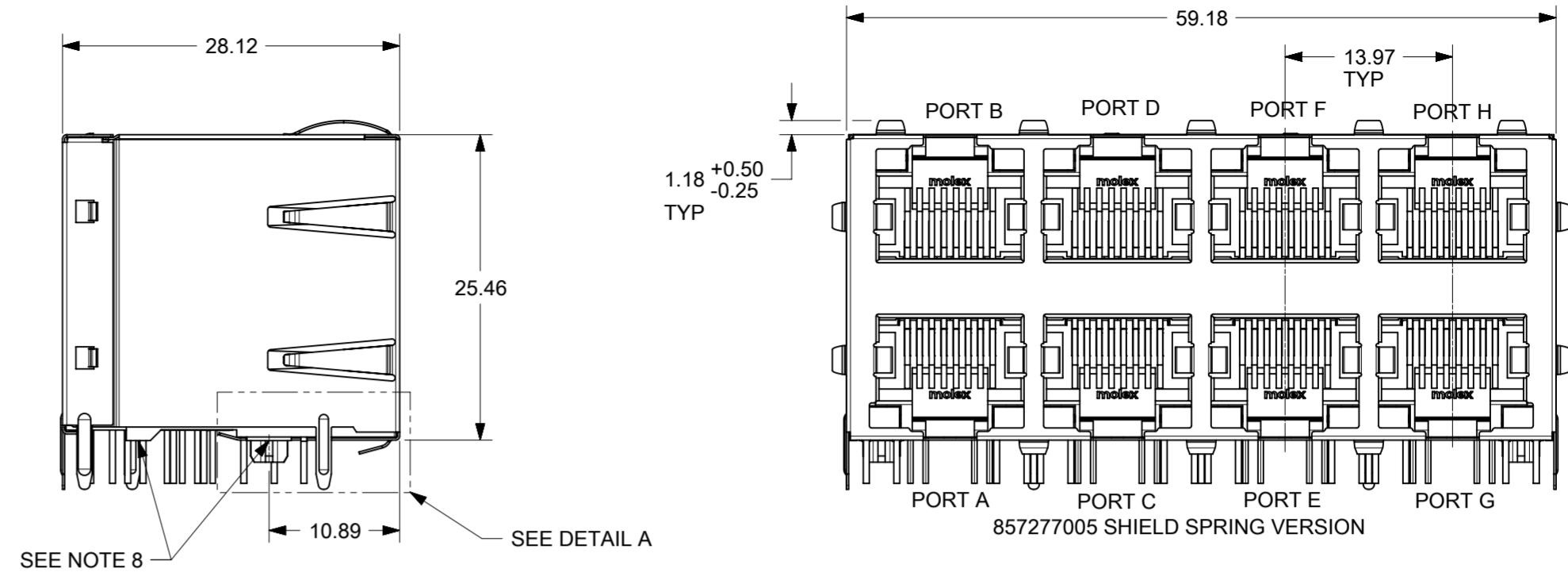
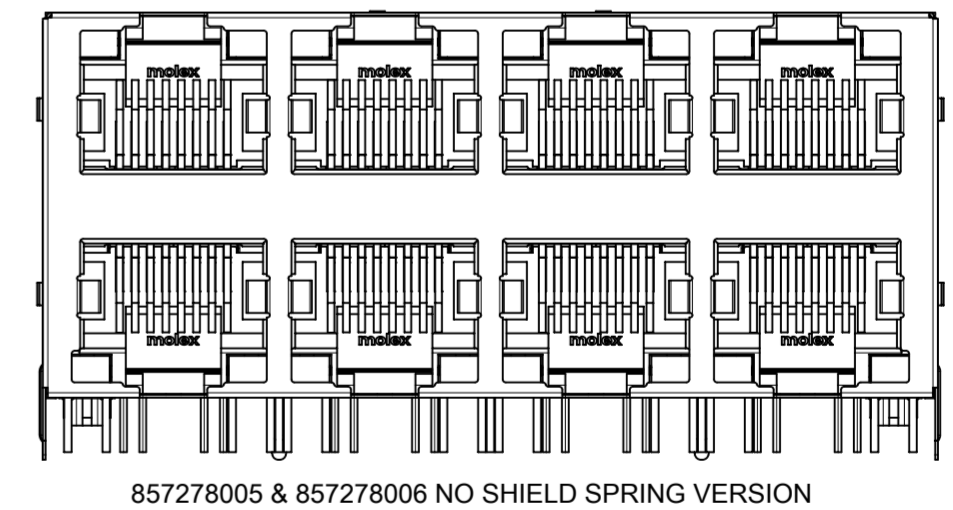


# FAST ETHERNET MAGNETIC JACK 2x4 LED WITH AND WITHOUT SHIELD SPRINGS

## MINIMUM 500V ISOLATION BETWEEN ETHERNET SIGNALS AND SHIELD



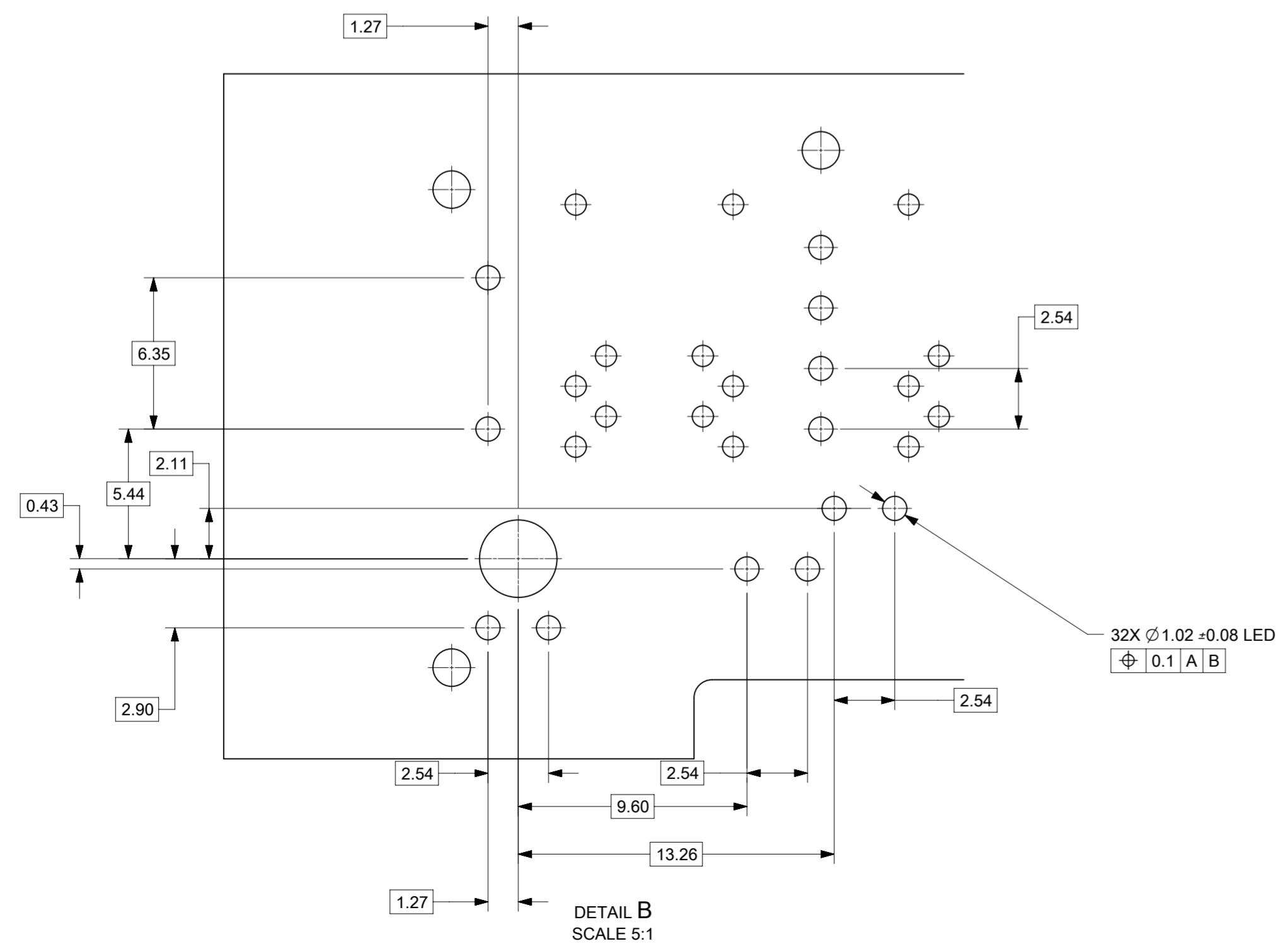
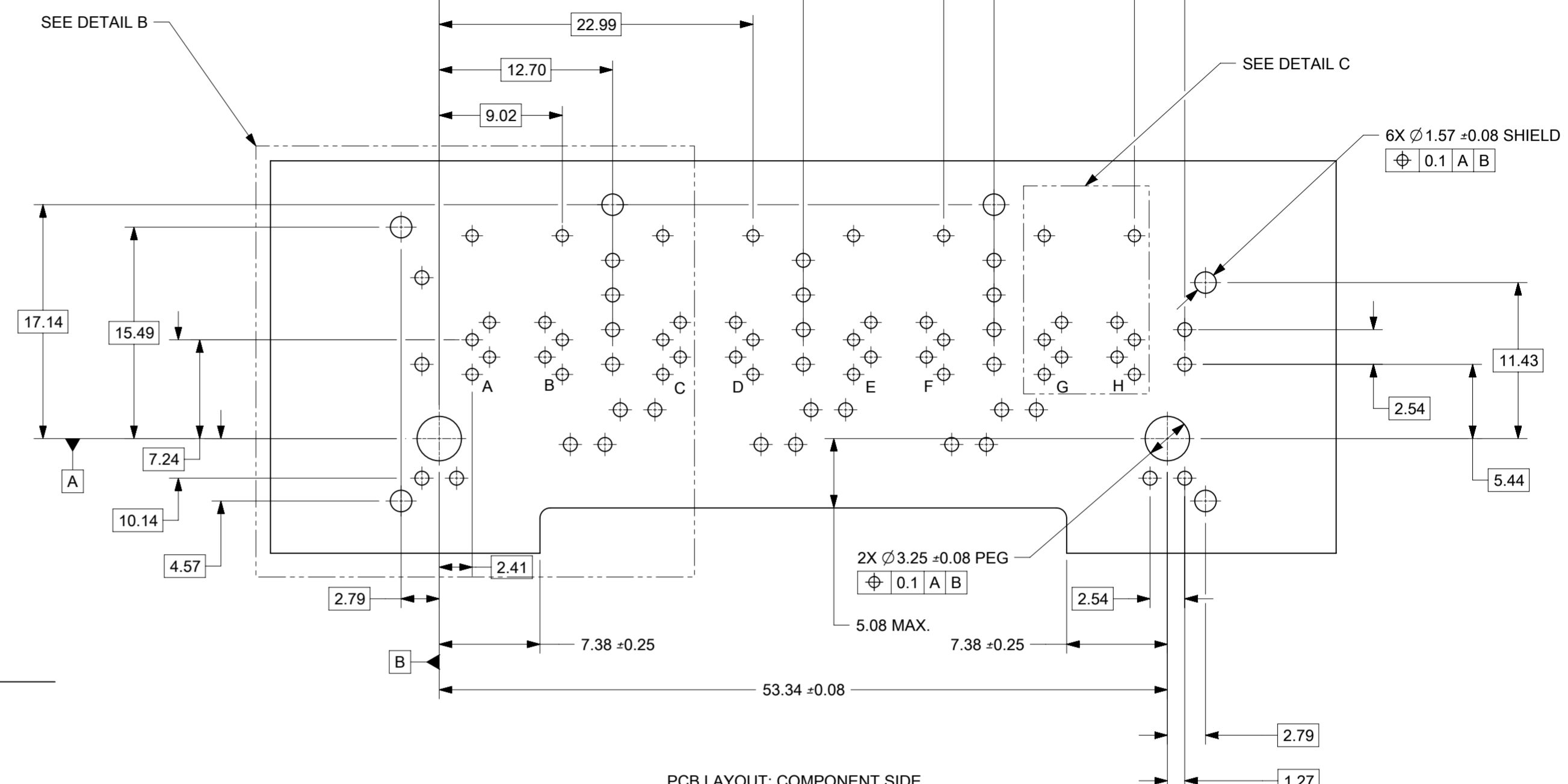
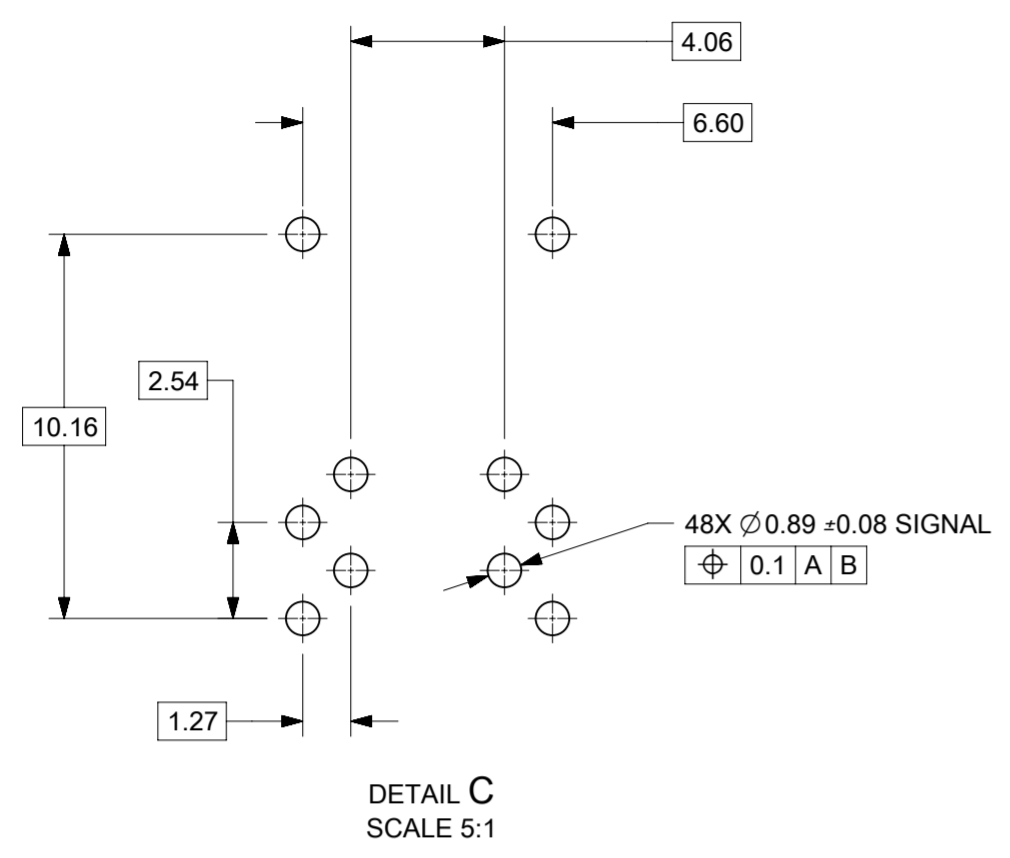
PART NUMBER	UPPER & LOWER LED LEFT	UPPER & LOWER LED RIGHT	DIM A	DIM B
85727-7005 SPRINGS	GREEN	YELLOW	3.56	4.06
85727-8005 NO SPRINGS	GREEN	YELLOW	3.56	4.06
85727-8006 NO SPRINGS	GREEN	YELLOW	2.40	2.40



- NOTES:
- SHIELD MATERIAL: BRASS; PLATING: NICKEL PRE-PLATING
  - PLASTIC MATERIAL: POLYESTER (PBT)BLACK, 30%GR, UL 94V-0
  - TERMINALS MATERIAL: COPPER ALLOY  
RJ45 CONTACT AREA PLATING: 0.76 MICROMETER GOLD OVER 1.9 MICROMETER NICKEL  
SOLDER TERMINALS: 3 MICROMETER TIN
  - MATING INTERFACE ACCORDING TO IEC 60603-7
  - PRODUCT SPECIFICATION: PS-85727-001  
FOR FURTHER INFORMATION ON MAGNETICS AND LED FUNCTION REFER TO THIS SPECIFICATION
  - PACKAGING SPECIFICATION: PK-85727-001
  - TRACES WITHOUT INSULATION NOT ALLOWED IN THE DASHED AREAS.  
(TO AVOID SHORTS TO SHIELD)
  - STAND OFF TO SYSTEM BOARD

REVISION CHART	
REV	CHANGE CONTENT
B2	85727-8006 SHORTEN SHIELD PIN LENGTH

SYMBOLS		THIS DRAWING CONTAINS INFORMATION THAT IS PROPRIETARY TO MOLEX ELECTRONIC TECHNOLOGIES, LLC AND SHOULD NOT BE USED WITHOUT WRITTEN PERMISSION	
▽ = 0	4 PLACES ±	DIMENSION UNITS	SCALE
▽ = 0	3 PLACES ±	mm	2:1
▽ = 0	2 PLACES ± 0.25	CURRENT REV DESC: SEE REV CHART	
▽ = 0	1 PLACE ± 0.5	GENERAL TOLERANCES (UNLESS SPECIFIED)	
▽ = 0	0 PLACES ±	ANGULAR TOL ± 0.5°	
▽ = 0	DRAFT WHERE APPLICABLE MUST REMAIN WITHIN DIMENSIONS	EC NO: 621505	
▽ = 0		DRWN: AFENG02 2019/07/29	
		CHK'D: KLANG 2019/07/31	
		APPR: KLANG 2019/07/31	
		INITIAL REVISION:	
		DRWN: JBADER 2015/12/17	
		APPR: SSTEINKE 2016/01/19	
		THIRD ANGLE PROJECTION	DRAWING
		A2-SIZE	SERIES
			85727
		MATERIAL NUMBER	CUSTOMER
		SEE CHART	GENERAL MARKET
		DOCUMENT NUMBER	DOC TYPE   DOC PART   REVISION
		SD-85727-705	PSD   001   B2
		SHEET NUMBER	1 OF 4



<b>SYMBOLS</b> ▽ = 0 ▽ = 0 ▽ = 0 ▽ = 0 ▽ = 0 ▽ = 0 ▽ = 0 ▽ = 0 ▽ = 0 ▽ = 0 ▽ = 0	THIS DRAWING CONTAINS INFORMATION THAT IS PROPRIETARY TO MOLEX ELECTRONIC TECHNOLOGIES, LLC AND SHOULD NOT BE USED WITHOUT WRITTEN PERMISSION		CURRENT REV DESC: SEE REV CHART		
	DIMENSION UNITS	SCALE	EC NO: 621505		
	mm	3:1	DRWN: AFENG02 2019/07/29		
	GENERAL TOLERANCES (UNLESS SPECIFIED)		CHK'D: KLANG 2019/07/31		
	ANGULAR TOL ± 0.5°		APPR: KLANG 2019/07/31		
	4 PLACES ±		INITIAL REVISION:		
	3 PLACES ±		DRWN: JBADER 2015/12/17		
	2 PLACES ± 0.25		APPR: SSTEINKE 2016/01/19		
	1 PLACE ± 0.5		MATERIAL NUMBER		
	0 PLACES ±		CUSTOMER		
DRAFT WHERE APPLICABLE MUST REMAIN WITHIN DIMENSIONS		THIRD ANGLE PROJECTION	DRAWING	SERIES	SHEET NUMBER
			A2-SIZE	85727	2 OF 4

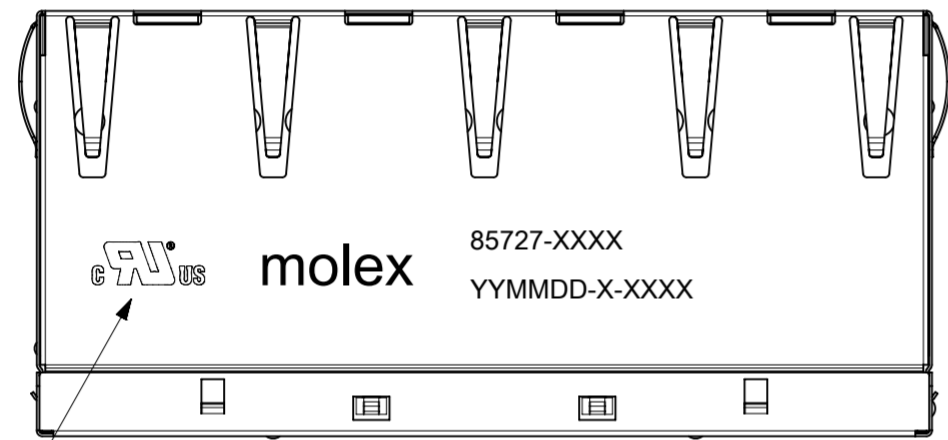
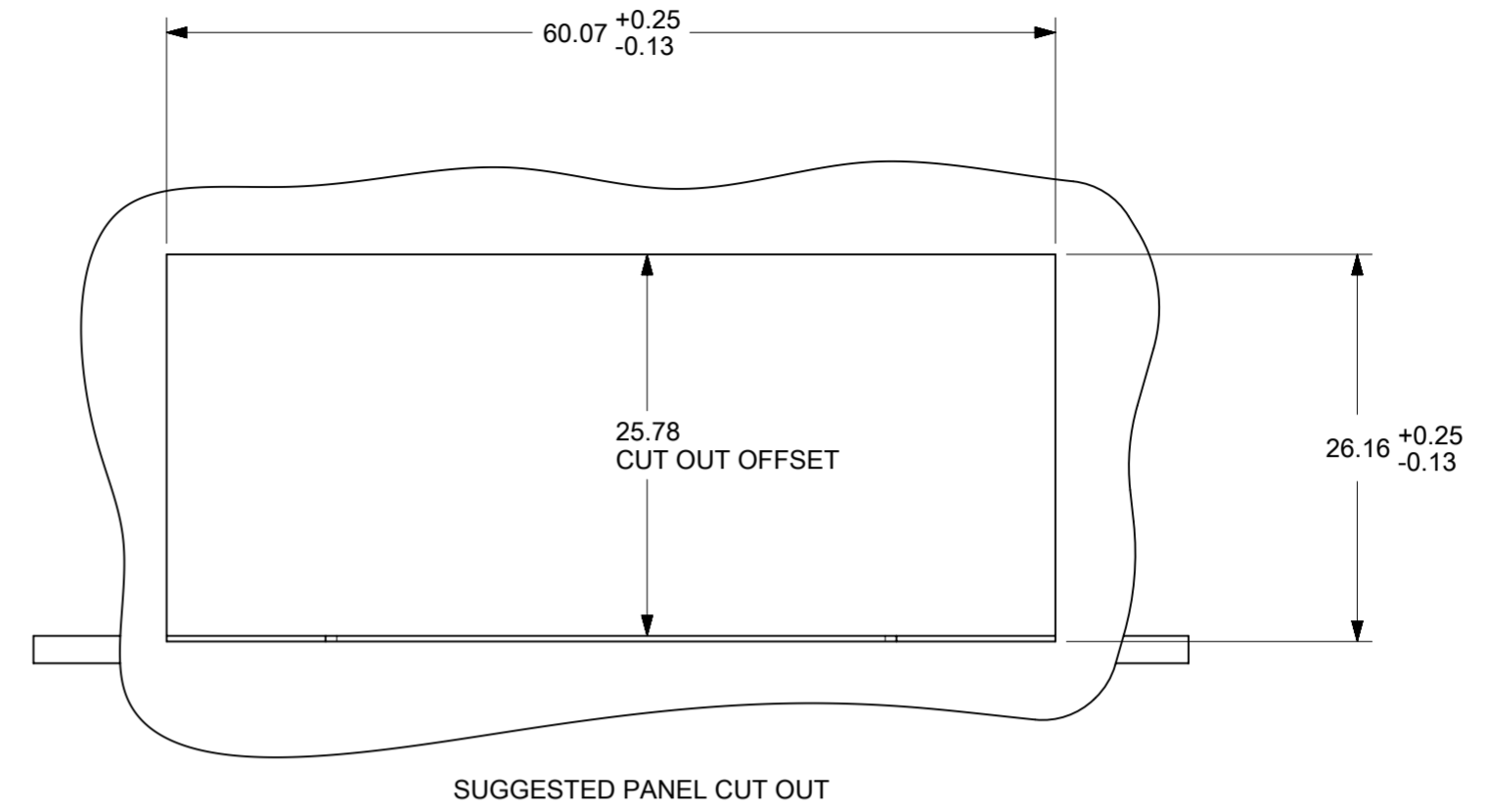
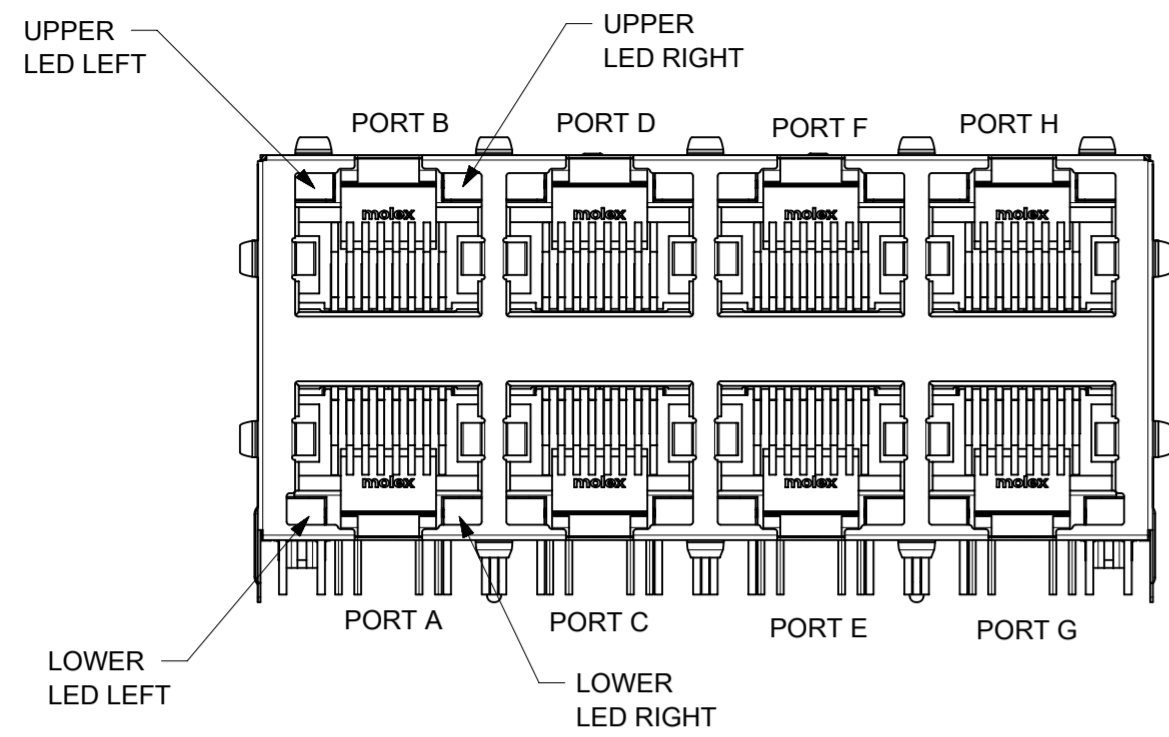
**molex**

FAST ETHERNET  
MAGNETIC JACK GND ISOLATION 2X4 LED

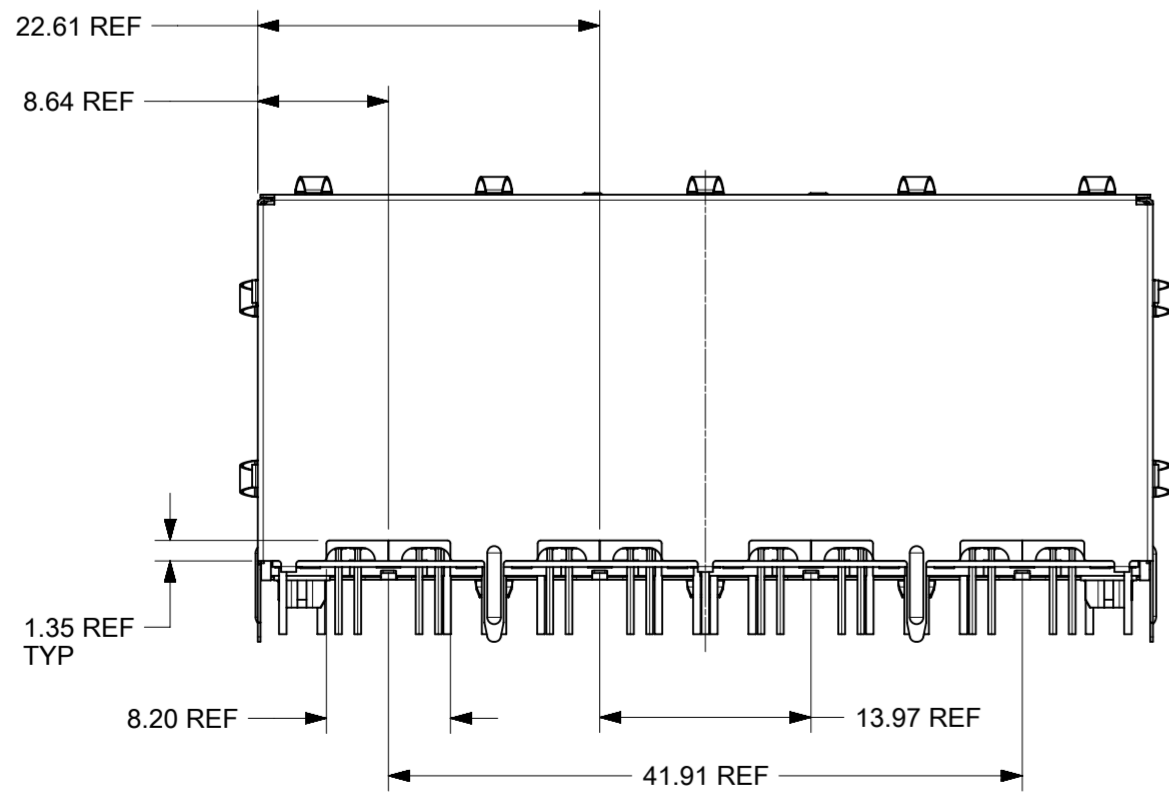
PRODUCT CUSTOMER DRAWING

DOCUMENT NUMBER	DOC TYPE	DOC PART	REVISION
SD-85727-705	PSD	001	B2

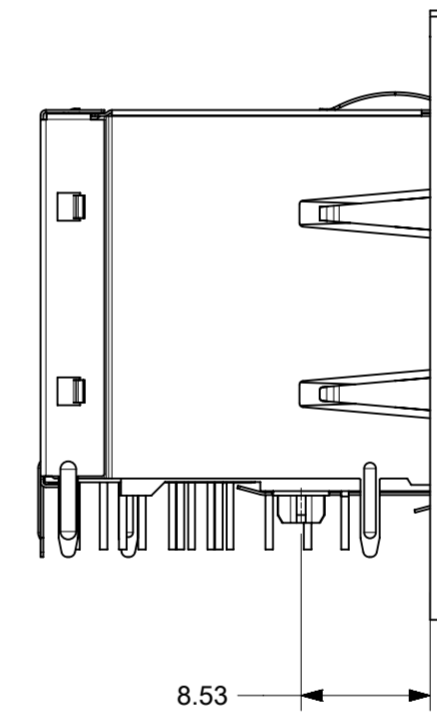
GENERAL MARKET



SEE NOTE 3



NOTED:  
 1 - PRINTING MARKED BY LASER  
 2 - INSCRIPTION:  
 1st LINE: PART NUMBER  
 2nd LINE: DATE CODE (YEAR,MONTH,DAY) - MANUFACTURER ID - COSECUTIVE NUMBER  
 3 - UL LOGO



PART NUMBER	UPPER & LOWER LED LEFT	UPPER & LOWER LED RIGHT	DIM A	DIM B
85727-7005 SPRINGS	GREEN	YELLOW	3.56	4.06
85727-8005 NO SPRINGS	GREEN	YELLOW	3.56	4.06
85727-8006 NO SPRINGS	GREEN	YELLOW	2.40	2.40

ADDITIONAL LED COLOURS AND CONFIGURATIONS AVAILABLE ON REQUEST

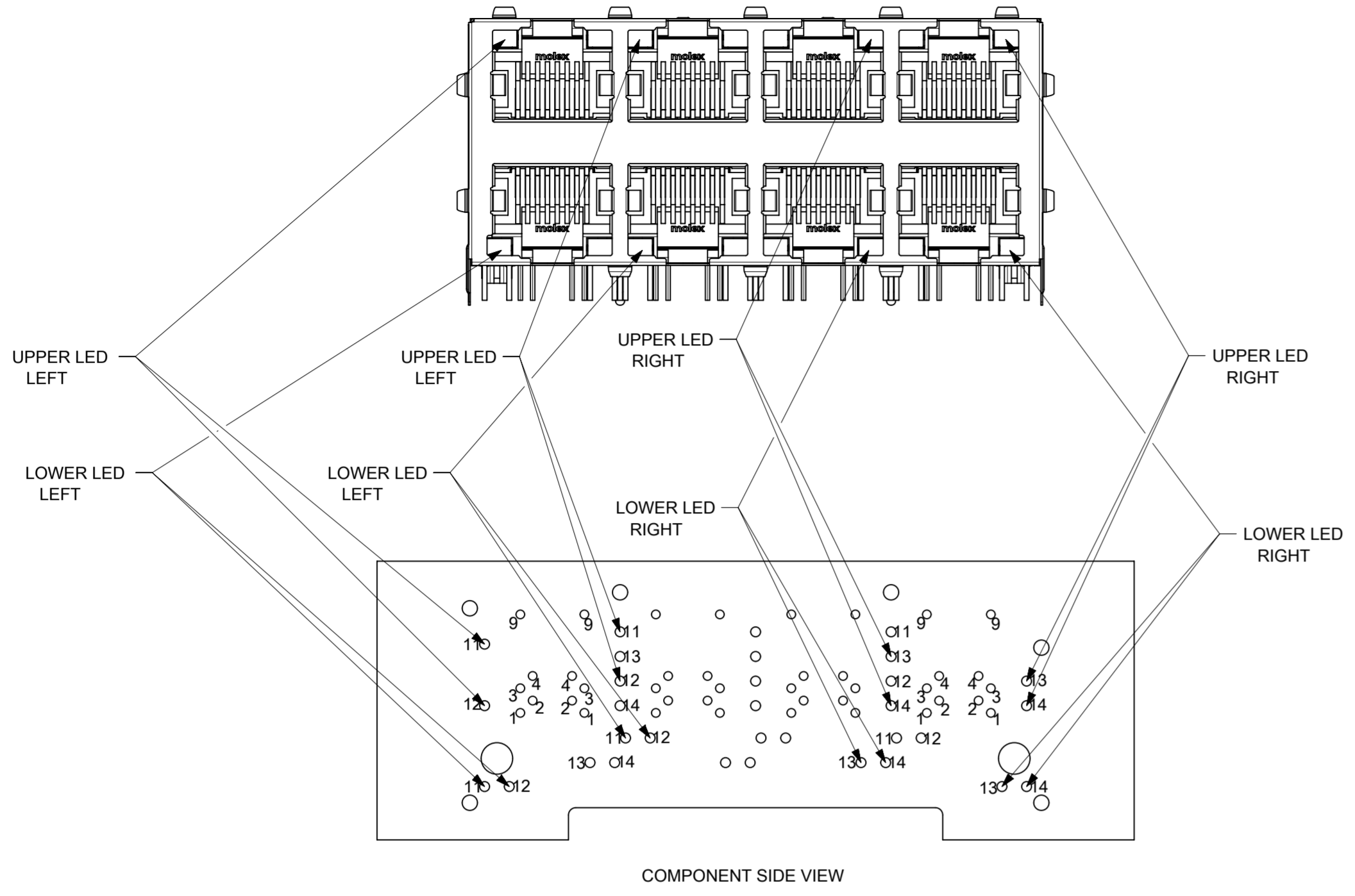
SYMBOLS		THIS DRAWING CONTAINS INFORMATION THAT IS PROPRIETARY TO MOLEX ELECTRONIC TECHNOLOGIES, LLC AND SHOULD NOT BE USED WITHOUT WRITTEN PERMISSION	
DIMENSION UNITS	SCALE	CURRENT REV DESC: SEE REV CHART	
$\nabla$ = 0	mm	2:1	EC NO: 621505 DRWN: AFENG02 2019/07/29 CHK'D: KLANG 2019/07/31 APPR: KLANG 2019/07/31
$\nabla$ = 0	GENERAL TOLERANCES (UNLESS SPECIFIED)		
$\nabla$ = 0	ANGULAR TOL $\pm$ 0.5°		INITIAL REVISION: DRWN: JBADER 2015/12/17 APPR: SSTEINKE 2016/01/19
$\nabla$ = 0	4 PLACES $\pm$		
$\nabla$ = 0	3 PLACES $\pm$		DOCUMENT NUMBER <b>SD-85727-705</b> DOC TYPE PSD DOC PART 001 REVISION <b>B2</b>
$\nabla$ = 0	2 PLACES $\pm$ 0.25		
$\nabla$ = 0	1 PLACE $\pm$ 0.5		MATERIAL NUMBER GENERAL MARKET CUSTOMER GENERAL MARKET SHEET NUMBER 3 OF 4
$\nabla$ = 0	0 PLACES $\pm$		
$\nabla$ = 0	DRAFT WHERE APPLICABLE MUST REMAIN WITHIN DIMENSIONS		THIRD ANGLE PROJECTION DRAWING A2-SIZE SERIES 85727

**molex**

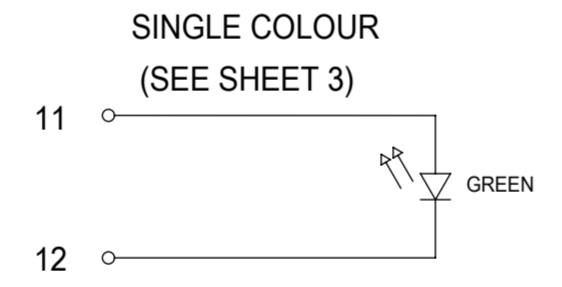
FAST ETHERNET  
MAGNETIC JACK GND ISOLATION 2X4 LED

PRODUCT CUSTOMER DRAWING

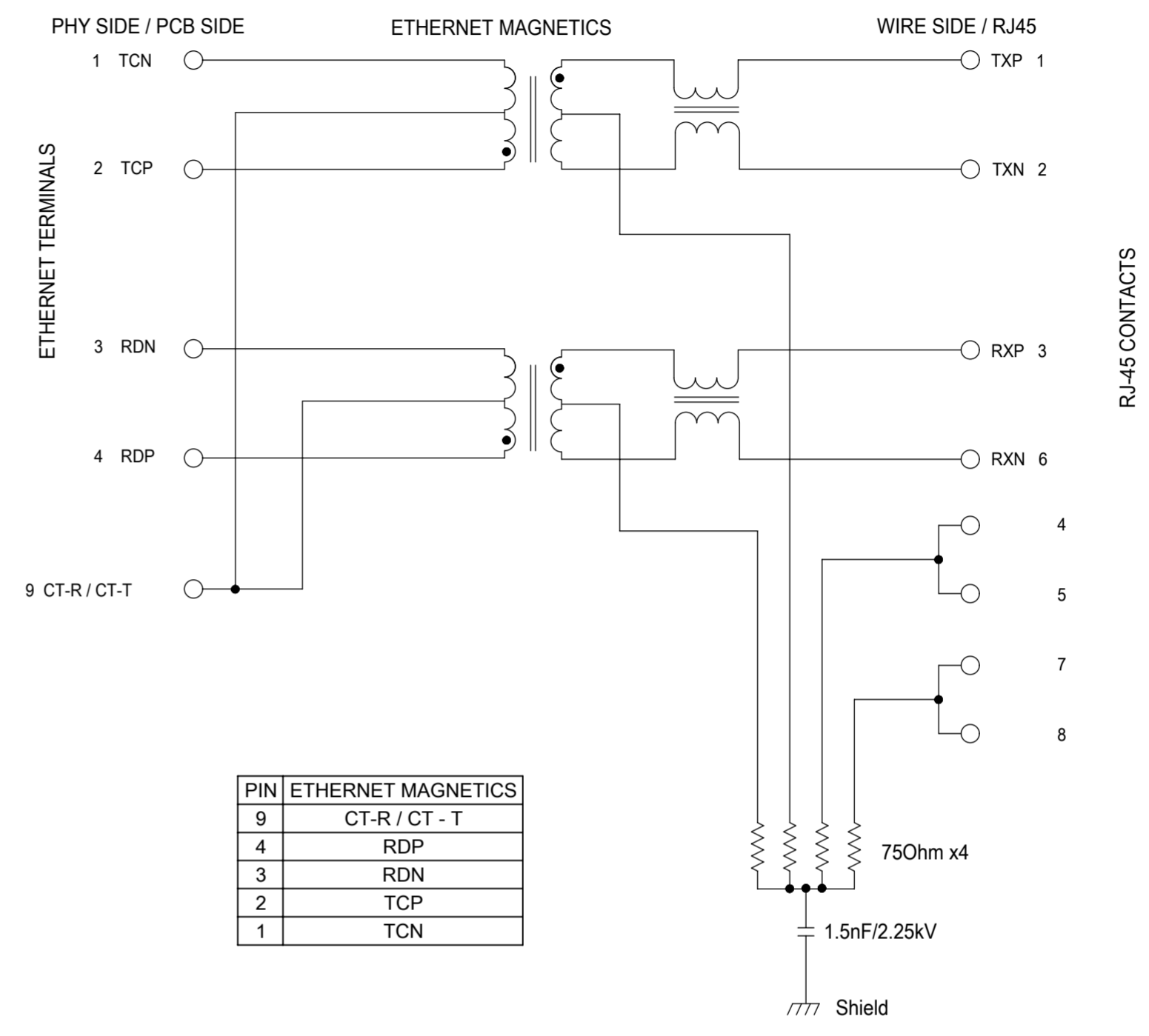
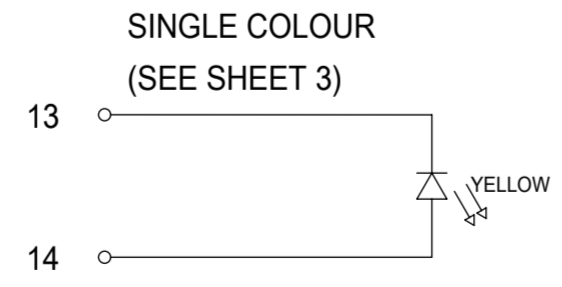
DOCUMENT STATUS	P1	RELEASE DATE	2019/07/31	15:02:26
-----------------	----	--------------	------------	----------



UPPER & LOWER LEFT LED	
PIN POSITION	GREEN
11	+
12	-



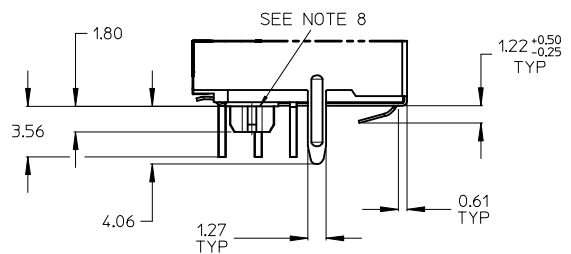
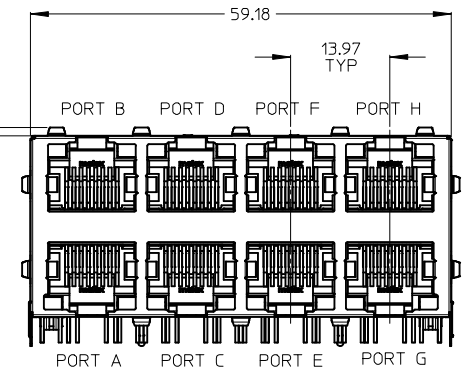
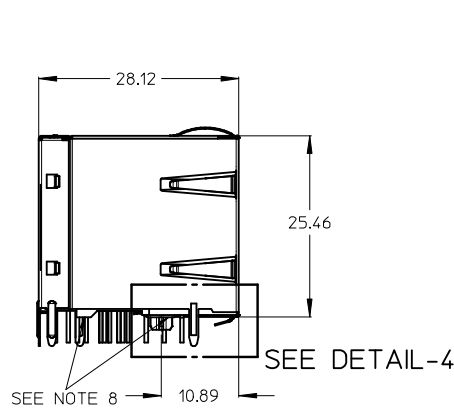
UPPER & LOWER RIGHT LED	
PIN POSITION	YELLOW
13	-
14	+



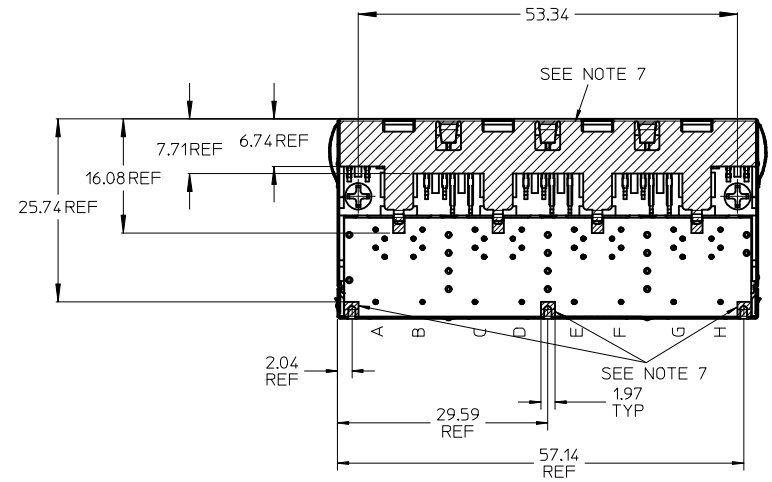
PIN	ETHERNET MAGNETICS
9	CT-R / CT-T
4	RDP
3	RDN
2	TCP
1	TCN

<b>SYMBOLS</b> ▽ = 0 ▽ = 0 ▽ = 0 ▽ = 0 ▽ = 0 ▽ = 0 ▽ = 0 ▽ = 0 ▽ = 0 ▽ = 0 ▽ = 0 ▽ = 0	THIS DRAWING CONTAINS INFORMATION THAT IS PROPRIETARY TO MOLEX ELECTRONIC TECHNOLOGIES, LLC AND SHOULD NOT BE USED WITHOUT WRITTEN PERMISSION		DIMENSION UNITS: <b>mm</b> SCALE: <b>2:1</b>		CURRENT REV DESC: SEE REV CHART				
	GENERAL TOLERANCES (UNLESS SPECIFIED) ANGULAR TOL ± 0.5°		EC NO: 621505 DRWN: AFENG02 2019/07/29 CHK'D: KLANG 2019/07/31 APPR: KLANG 2019/07/31		FAST ETHERNET MAGNETIC JACK GND ISOLATION 2X4 LED				
4 PLACES ± 3 PLACES ± 2 PLACES ± 0.25 1 PLACE ± 0.5 0 PLACES ±		INITIAL REVISION: DRWN: JBADER 2015/12/17 APPR: SSTEINKE 2016/01/19		PRODUCT CUSTOMER DRAWING		DOCUMENT NUMBER: <b>SD-85727-705</b> DOC TYPE: PSD DOC PART: 001 REVISION: B2			
DRAFT WHERE APPLICABLE MUST REMAIN WITHIN DIMENSIONS		THIRD ANGLE PROJECTION		DRAWING: <b>A2-SIZE</b> SERIES: <b>85727</b>		MATERIAL NUMBER: GENERAL MARKET		CUSTOMER: GENERAL MARKET SHEET NUMBER: 4 OF 4	

# FAST ETHERNET MAGNETIC JACK 2x4 LED

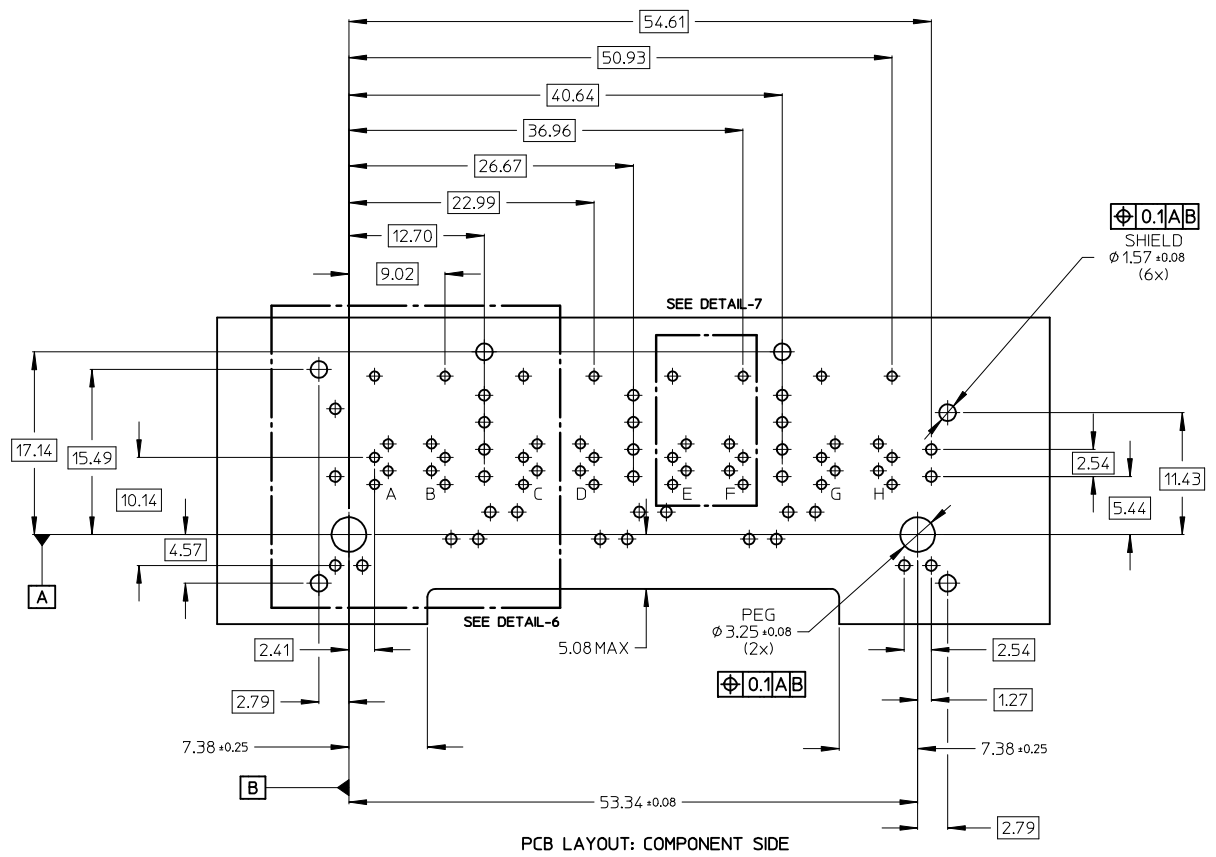
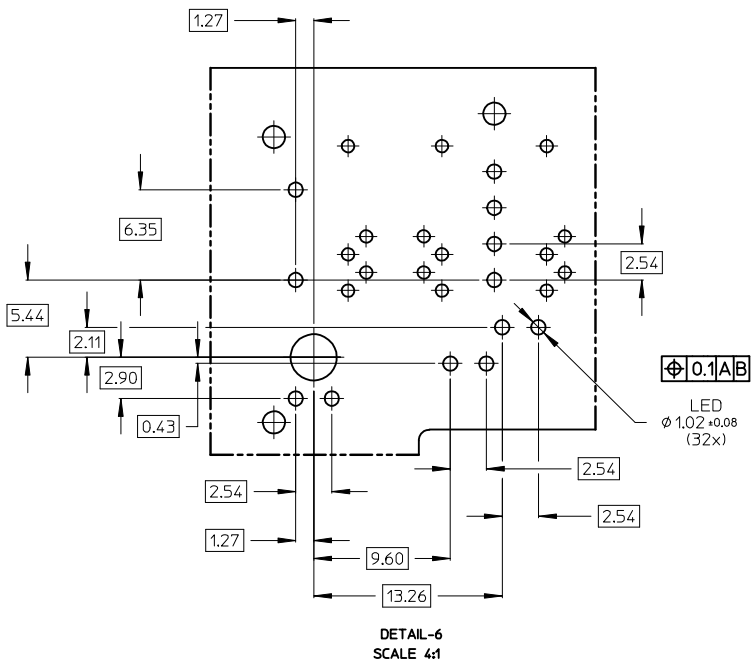
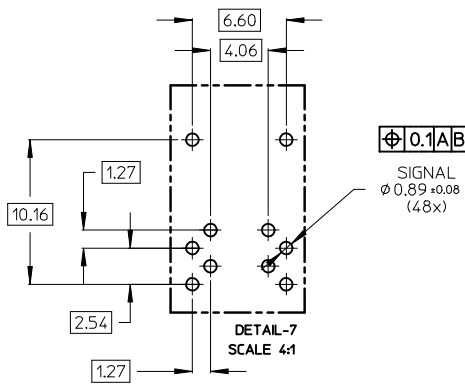


DETAIL-4  
SCALE 4:1

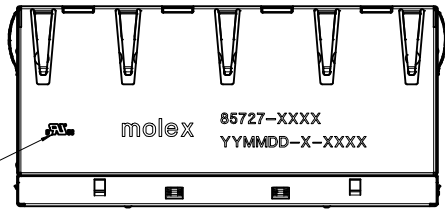
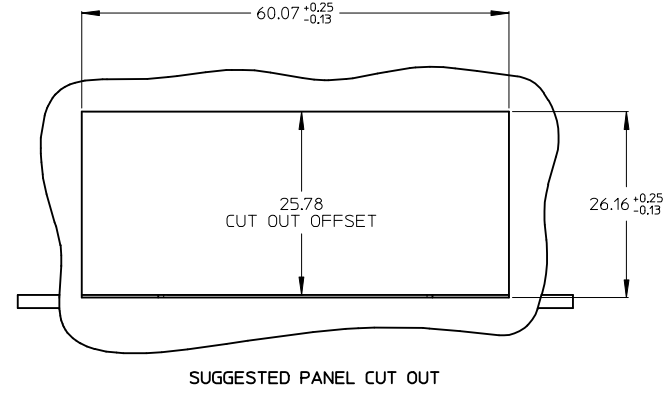
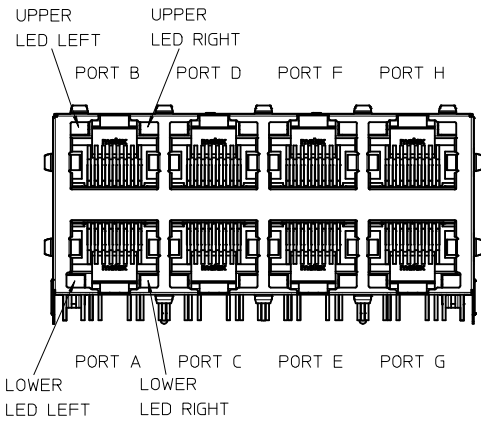


- NOTES:
- 1 - SHIELD MATERIAL: BRASS; PLATING: NICKEL PRE-PLATING
  - 2 - PLASTIC MATERIAL: POLYESTER (PBT)BLACK, 30%GR, UL 94V-0
  - 3 - RJ45 TERMINALS MATERIAL: COPPER ALLOY  
CONTACT AREA PLATING: 0.76 MICROMETER GOLD OVER 1.9 MICROMETER NICKEL  
PHY TERMINALS: TIN PLATED
  - 4 - MATING INTERFACE ACCORDING TO IEC 60603-7
  - 5 - PRODUCT SPECIFICATION: PS-85727-001  
FOR FURTHER INFORMATION ON MAGNETICS AND LED FUNCTION REFER TO THIS SPECIFICATION
  - 6 - PACKAGING SPECIFICATION: PK-85727-001
  - 7 - TRACES WITHOUT INSULATION NOT ALLOWED IN THE DASHED AREAS.  
(TO AVOID SHORTS TO SHIELD)
  - 8 - STAND OFF TO SYSTEM BOARD

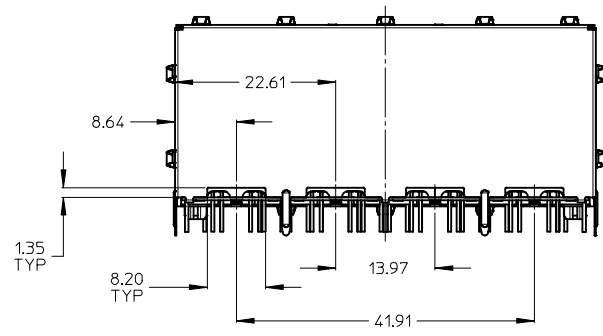
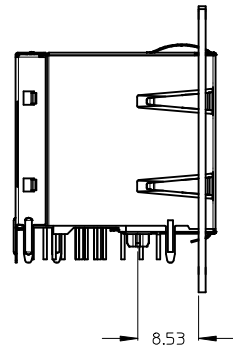
NEW PRODUCT EC NO: 2014/02/03 DRAWN: MMANGARUDOV 2014/02/03 CHKD: JBADER 2014/03/28 APPR: SSTEINKE 2016/04/21	QUALITY SYMBOLS	GENERAL TOLERANCES (UNLESS SPECIFIED)		DIMENSION STYLE MM ONLY		SCALE 2:1	DESIGN UNITS METRIC	THIRD ANGLE PROJECTION
	▽=0	m/m	INCH	DRAWN BY	DATE	TITLE	FAST ETHERNET MAGNETIC JACK GND ISOLATION 2X4 LED <b>molex</b> DOCUMENT NO. SD-85727-708 SHEET NO. 1 OF 4	
	▽=0	4 PLACES ±---	±---	MMANGARUDOV	2014/02/03			
		3 PLACES ±---	±---	CHECKED BY	DATE			
	2 PLACES ±0.25	±---	JBADER	2014/02/20				
	1 PLACE ±0.5	±---	APPROVED BY	DATE				
	0 PLACE ±---	±---	SSTEINKE	2016/04/21				
	ANGULAR ±.5°		MATERIAL NO.		SEE SHEET 3			
	DRAFT WHERE APPLICABLE MUST REMAIN WITHIN DIMENSIONS		SIZE A2		THIS DRAWING CONTAINS INFORMATION THAT IS PROPRIETARY TO MOLEX INCORPORATED AND SHOULD NOT BE USED WITHOUT WRITTEN PERMISSION			



NEW PRODUCT EC NO: A DRAWN: MMANGARUDOV 2014/02/03 CHKD: JBADER 2014/03/28 APPR: SSTE INKE 2016/04/21	DESCRIPTION REV	QUALITY SYMBOLS	GENERAL TOLERANCES (UNLESS SPECIFIED)	DIMENSION STYLE	SCALE	DESIGN UNITS	THIRD ANGLE PROJECTION	
		▽=0	mm INCH	MM ONLY	3:1	METRIC	⊙	
		▽=0	4 PLACES ± --- ± ---	DRAWN BY	DATE	TITLE	FAST ETHERNET MAGNETIC JACK GND ISOLATION 2X4 LED	
		ANGULAR ± .5 °	3 PLACES ± --- ± ---	MMANGARUDOV	2014/02/03		molex	
		2 PLACES ± 0.25 ± ---	CHECKED BY	DATE				
		1 PLACE ± 0.5 ± ---	JBADER	2014/02/20				
		0 PLACE ± --- ± ---	APPROVED BY	DATE				
			SSTE INKE	2016/04/21				
		DRAFT WHERE APPLICABLE MUST REMAIN WITHIN DIMENSIONS	MATERIAL NO.	DOCUMENT NO.				
			SEE SHEET 3	SD-85727-708				
			SIZE A2	THIS DRAWING CONTAINS INFORMATION THAT IS PROPRIETARY TO MOLEX INCORPORATED AND SHOULD NOT BE USED WITHOUT WRITTEN PERMISSION			SHEET NO. 2 OF 4	



SEE NOTE 3

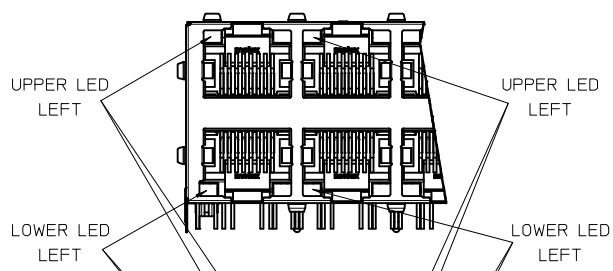


PART NUMBER	UPPER & LOWER LED LEFT	UPPER & LOWER LED RIGHT
85727-7008	GREEN	GREEN
0°C~+70°C	YELLOW	YELLOW
85727-7108	GREEN	GREEN
-40°C~+85°C	YELLOW	YELLOW

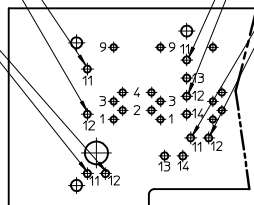
ADDITIONAL LED COLOURS AND CONFIGURATIONS AVAILABLE ON REQUEST

- NOTED:
- 1 - PRINTING MARKED BY LASER
  - 2 - INSCRIPTION:
    - 1st LINE: PART NUMBER
    - 2nd LINE: DATE CODE (YEAR,MONTH,DAY) - MANUFACTURER ID - COSECUTIVE NUMBER
  - 3 - UL LOGO

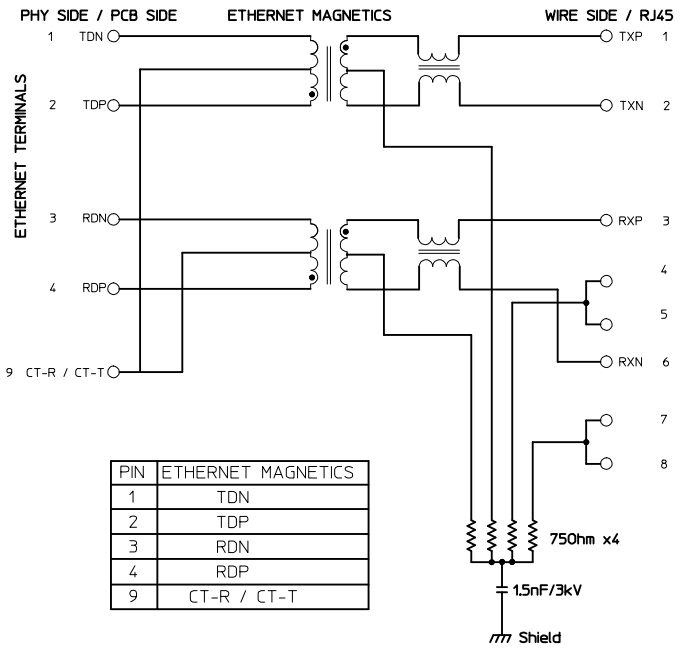
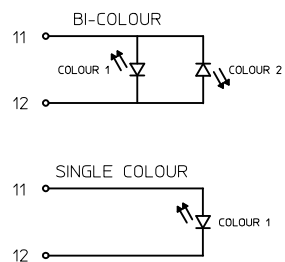
NEW PRODUCT EC NO: A DRWN:MMANGARUDOV 2014/02/03 CHKD:JBADER 2014/03/28 APPR:SSTEINKE 2016/04/21	DESCRIPTION REV	QUALITY SYMBOLS	GENERAL TOLERANCES (UNLESS SPECIFIED)	DIMENSION STYLE	SCALE	DESIGN UNITS	THIRD ANGLE PROJECTION																																							
		$\nabla=0$ $\nabla=0$	<table border="1"> <tr> <th></th> <th>mm</th> <th>INCH</th> </tr> <tr> <td>4 PLACES</td> <td>± ---</td> <td>± ---</td> </tr> <tr> <td>3 PLACES</td> <td>± ---</td> <td>± ---</td> </tr> <tr> <td>2 PLACES</td> <td>± 0.25</td> <td>± ---</td> </tr> <tr> <td>1 PLACE</td> <td>± 0.5</td> <td>± ---</td> </tr> <tr> <td>0 PLACE</td> <td>± ---</td> <td>± ---</td> </tr> </table>		mm	INCH	4 PLACES	± ---	± ---	3 PLACES	± ---	± ---	2 PLACES	± 0.25	± ---	1 PLACE	± 0.5	± ---	0 PLACE	± ---	± ---	<table border="1"> <tr> <th>MM ONLY</th> <th>DATE</th> <th>TITLE</th> </tr> <tr> <td>DRAWN BY</td> <td>DATE</td> <td></td> </tr> <tr> <td>MMANGARUDOV</td> <td>2014/02/03</td> <td></td> </tr> <tr> <td>CHECKED BY</td> <td>DATE</td> <td></td> </tr> <tr> <td>JBADER</td> <td>2014/02/20</td> <td></td> </tr> <tr> <td>APPROVED BY</td> <td>DATE</td> <td></td> </tr> <tr> <td>SSTEINKE</td> <td>2016/04/21</td> <td></td> </tr> </table>	MM ONLY	DATE	TITLE	DRAWN BY	DATE		MMANGARUDOV	2014/02/03		CHECKED BY	DATE		JBADER	2014/02/20		APPROVED BY	DATE		SSTEINKE	2016/04/21		2:1	METRIC	FAST ETHERNET MAGNETIC JACK GND ISOLATION 2X4 LED <b>moLEX</b> SEE BOM    SD-85727-708
			mm	INCH																																										
		4 PLACES	± ---	± ---																																										
3 PLACES	± ---	± ---																																												
2 PLACES	± 0.25	± ---																																												
1 PLACE	± 0.5	± ---																																												
0 PLACE	± ---	± ---																																												
MM ONLY	DATE	TITLE																																												
DRAWN BY	DATE																																													
MMANGARUDOV	2014/02/03																																													
CHECKED BY	DATE																																													
JBADER	2014/02/20																																													
APPROVED BY	DATE																																													
SSTEINKE	2016/04/21																																													
ANGULAR ± .5 °		MATERIAL NO.	DOCUMENT NO.	SHEET NO.																																										
DRAFT WHERE APPLICABLE MUST REMAIN WITHIN DIMENSIONS		SIZE A2	3 OF 4																																											
THIS DRAWING CONTAINS INFORMATION THAT IS PROPRIETARY TO MOLEX INCORPORATED AND SHOULD NOT BE USED WITHOUT WRITTEN PERMISSION																																														



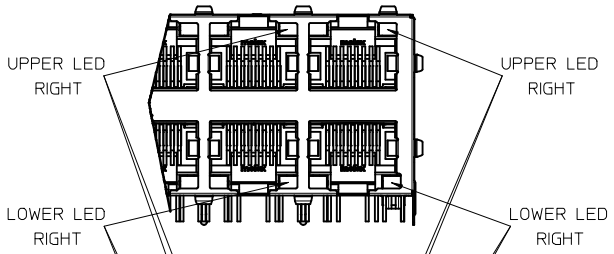
UPPER & LOWER LEFT LED		
PIN POSITION	COLOUR 1	COLOUR 2
11	+	-
12	-	+



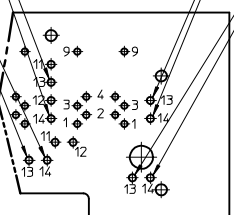
COMPONENT VIEW



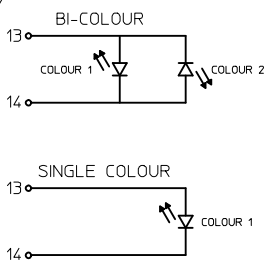
PIN	ETHERNET MAGNETICS
1	TDN
2	TDP
3	RDN
4	RDP
9	CT-R / CT-T



UPPER & LOWER RIGHT LED		
PIN POSITION	COLOUR 1	COLOUR 2
13	+	-
14	-	+



COMPONENT VIEW



<b>NEW PRODUCT</b> EC NO: DRAWN:MMANGARUDOV 2014/02/03 CHKD:JBADER 2014/03/28 APPR:SSTEINKE 2016/04/21 REV:	QUALITY SYMBOLS ▽=0 ▽=0	GENERAL TOLERANCES (UNLESS SPECIFIED) <table border="1"> <thead> <tr> <th></th> <th>mm</th> <th>INCH</th> </tr> </thead> <tbody> <tr> <td>4 PLACES</td> <td>± .005</td> <td>± .0002</td> </tr> <tr> <td>3 PLACES</td> <td>± .005</td> <td>± .0002</td> </tr> <tr> <td>2 PLACES</td> <td>± 0.25</td> <td>± .010</td> </tr> <tr> <td>1 PLACE</td> <td>± 0.5</td> <td>± .020</td> </tr> <tr> <td>0 PLACE</td> <td>± .005</td> <td>± .0002</td> </tr> </tbody> </table> ANGULAR ± .5 ° DRAFT WHERE APPLICABLE MUST REMAIN WITHIN DIMENSIONS		mm	INCH	4 PLACES	± .005	± .0002	3 PLACES	± .005	± .0002	2 PLACES	± 0.25	± .010	1 PLACE	± 0.5	± .020	0 PLACE	± .005	± .0002	DIMENSION STYLE <b>MM ONLY</b> DRAWN BY: MMANGARUDOV 2014/02/03 DATE: 2014/02/03 CHECKED BY: JBADER 2014/02/20 DATE: 2014/02/20 APPROVED BY: SSTEINKE 2016/04/21 DATE: 2016/04/21	SCALE <b>2:1</b> DESIGN UNITS <b>METRIC</b> THIRD ANGLE PROJECTION	TITLE <b>FAST ETHERNET MAGNETIC JACK GND ISOLATION 2X4 LED</b> <b>molex</b> MATERIAL NO. SEE SHEET 3 DOCUMENT NO. SD-85727-708
		mm	INCH																				
	4 PLACES	± .005	± .0002																				
	3 PLACES	± .005	± .0002																				
2 PLACES	± 0.25	± .010																					
1 PLACE	± 0.5	± .020																					
0 PLACE	± .005	± .0002																					
SHEET NO. 4 OF 4																							
THIS DRAWING CONTAINS INFORMATION THAT IS PROPRIETARY TO MOLEX INCORPORATED AND SHOULD NOT BE USED WITHOUT WRITTEN PERMISSION																							
SIZE A2																							