

2822352-1 ✓ ACTIVE

Econoseal, Econoseal J - 070

TE Internal #: 2822352-1

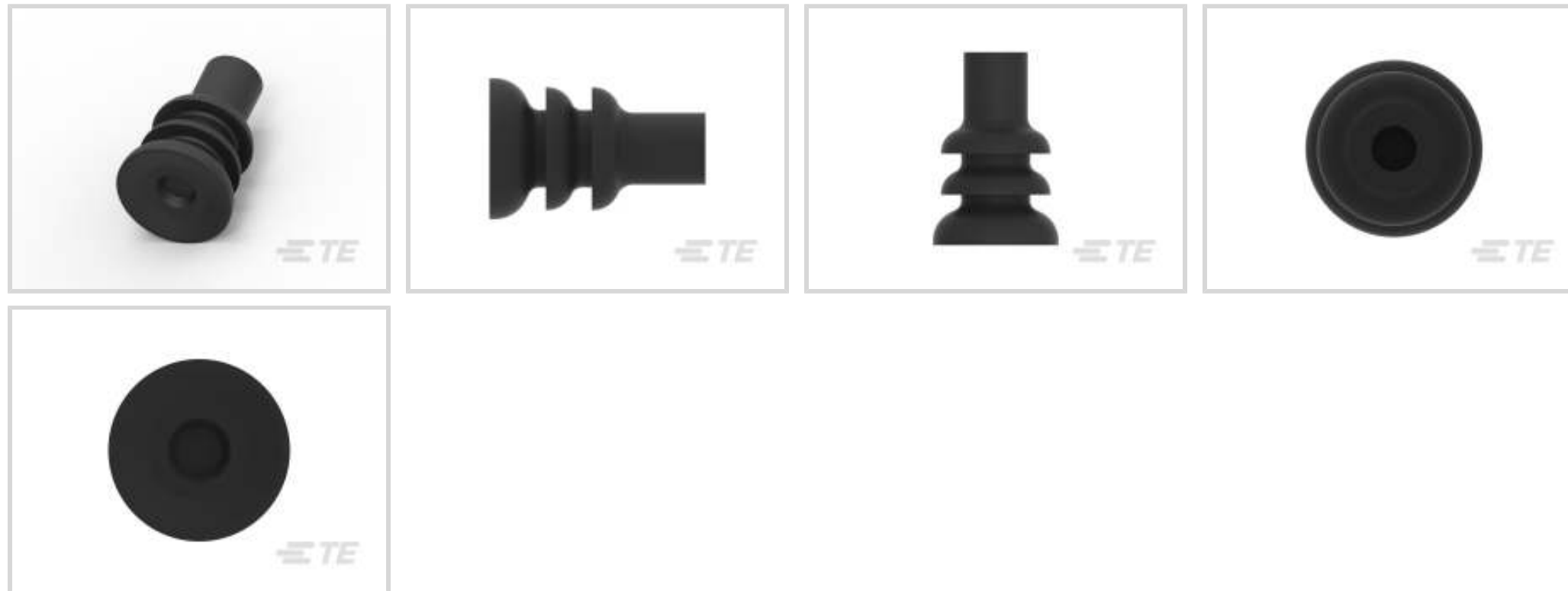
Single Wire Seal (SWS), NBR, Black, .059 – .094 in [1.4 – 2.4 mm]

Insulation Diameter, Econoseal J - 070

[View on TE.com >](#)



Connectors > Connector Accessories > Connector Seals & Cavity Plugs



Connector Seal & Plug Type: **Single Wire Seal (SWS)**

Primary Product Material: **NBR**

Primary Product Color: **Black**

Compatible Insulation Diameter Range: **1.4 – 2.4 mm [.059 – .094 in]**

Shore A Hardness: **38**

Features

Product Type Features

Connector Seal & Plug Type	Single Wire Seal (SWS)
----------------------------	------------------------

Body Features

Primary Product Material	NBR
Primary Product Color	Black

Dimensions

Compatible Insulation Diameter Range	1.4 – 2.4 mm [.059 – .094 in]
--------------------------------------	-------------------------------

Usage Conditions

Operating Temperature (Max)	65 °C, 70 °C, 75 °C, 80 °C, 85 °C, 90 °C, 100 °C, 105 °C [149 °F][158 °F][167 °F][176 °F][185 °F][194 °F][212 °F][221 °F]
Operating Temperature Range	-30 – 105 °C [-22 – 221 °F]

Industry Standards

UL Flammability Rating	None
------------------------	------

Packaging Features



Packaging Quantity	1000
--------------------	------

Packaging Method	Bag
------------------	-----

Other

Shore A Hardness	38
------------------	----

Contains Lubricant	Yes
--------------------	-----

Product Compliance

[For compliance documentation, visit the product page on TE.com>](#)

EU RoHS Directive 2011/65/EU	Compliant
------------------------------	-----------

EU ELV Directive 2000/53/EC	Compliant
-----------------------------	-----------

China RoHS 2 Directive MIIT Order No 32, 2016	No Restricted Materials Above Threshold
---	---

EU REACH Regulation (EC) No. 1907/2006	Current ECHA Candidate List: JUNE 2023 (235) Candidate List Declared Against: JUNE 2023 (235) Does not contain REACH SVHC
--	---

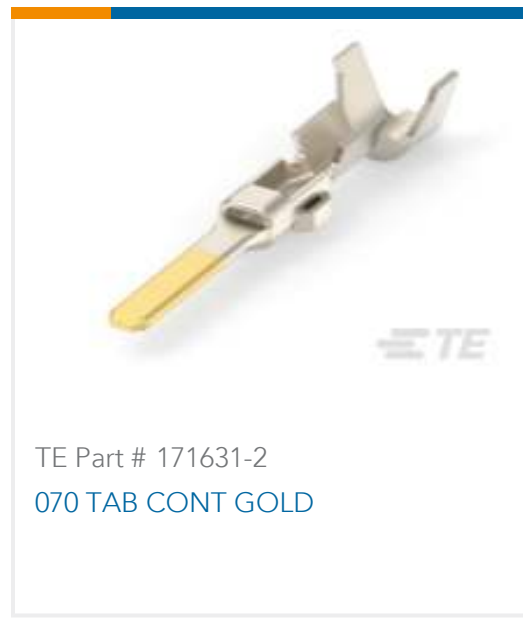
Halogen Content	Low Halogen - Br, Cl, F, I < 900 ppm per homogenous material. Also BFR/CFR/PVC Free
-----------------	---

Solder Process Capability	Not applicable for solder process capability
---------------------------	--

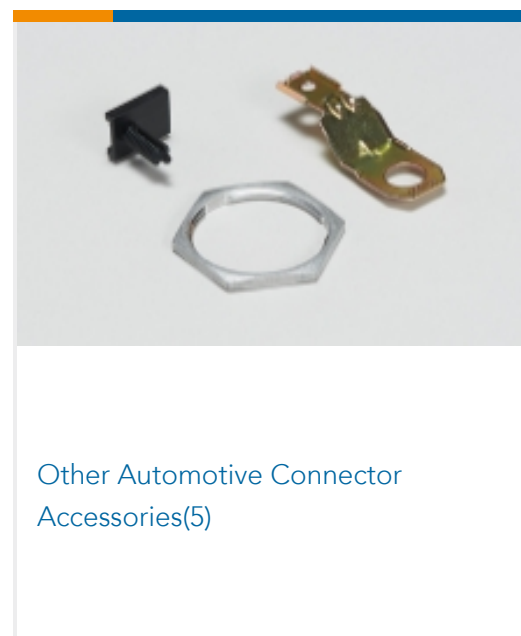
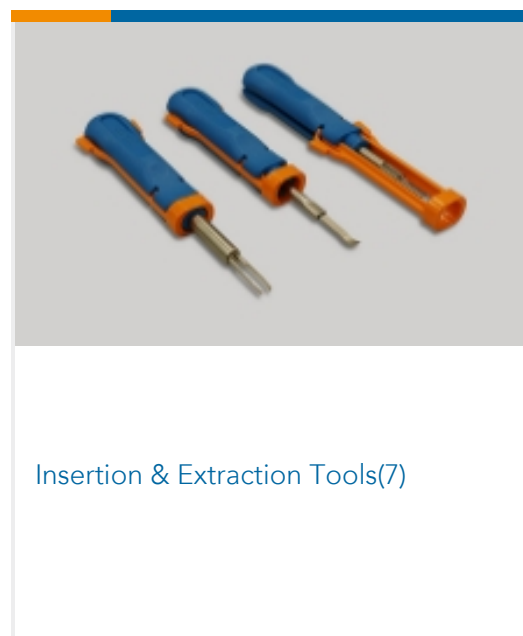
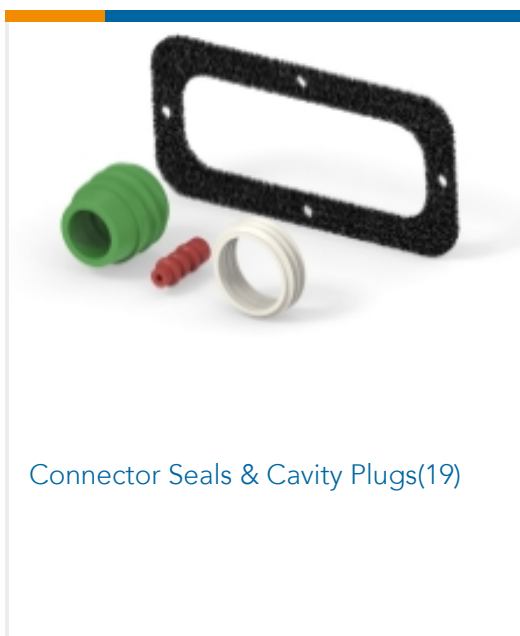
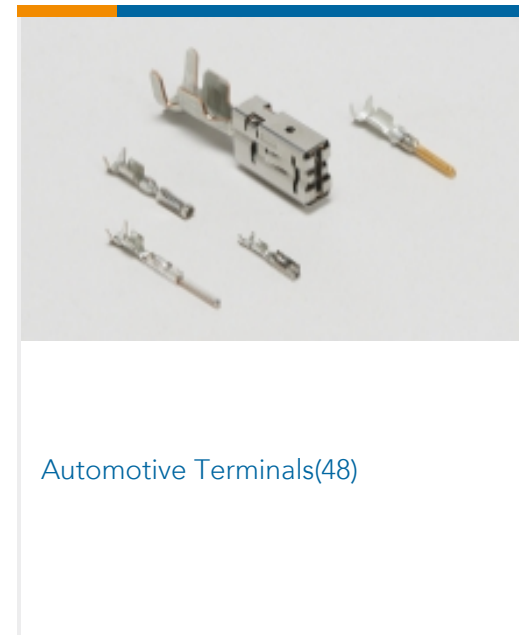
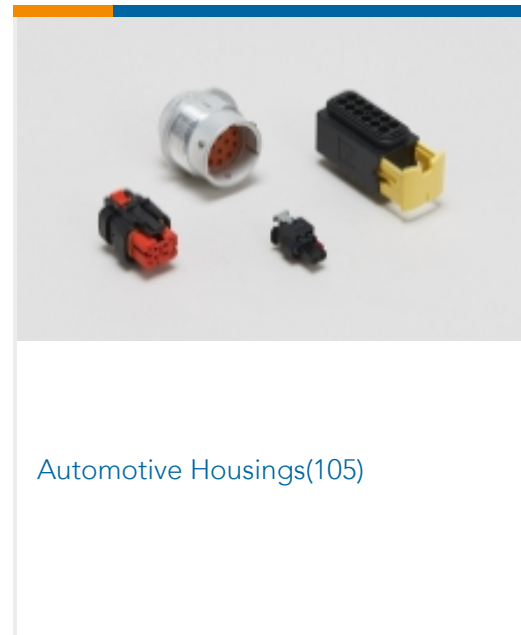
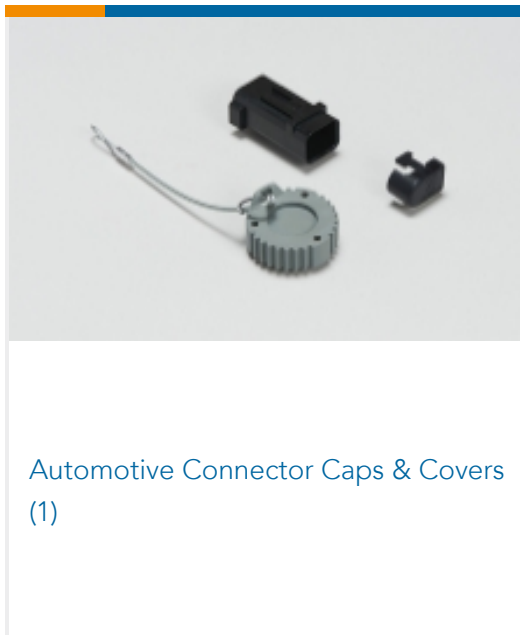
Product Compliance Disclaimer

This information is provided based on reasonable inquiry of our suppliers and represents our current actual knowledge based on the information they provided. This information is subject to change. The part numbers that TE has identified as EU RoHS compliant have a maximum concentration of 0.1% by weight in homogenous materials for lead, hexavalent chromium, mercury, PBB, PBDE, DBP, BBP, DEHP, DIBP, and 0.01% for cadmium, or qualify for an exemption to these limits as defined in the Annexes of Directive 2011/65/EU (RoHS2). Finished electrical and electronic equipment products will be CE marked as required by Directive 2011/65/EU. Components may not be CE marked. Additionally, the part numbers that TE has identified as EU ELV compliant have a maximum concentration of 0.1% by weight in homogenous materials for lead, hexavalent chromium, and mercury, and 0.01% for cadmium, or qualify for an exemption to these limits as defined in the Annexes of Directive 2000/53/EC (ELV). Regarding the REACH Regulation, the information TE provides on SVHC in articles for this part number is based on the latest European Chemicals Agency (ECHA) 'Guidance on requirements for substances in articles' posted at this URL: <https://echa.europa.eu/guidance-documents/guidance-on-reach>

Compatible Parts



Also in the Series | Econoseal



Also in the Series | Econoseal J - 070



Automotive Housings(5)



Connector Seals & Cavity Plugs(3)



Other Automotive Connector Accessories(1)

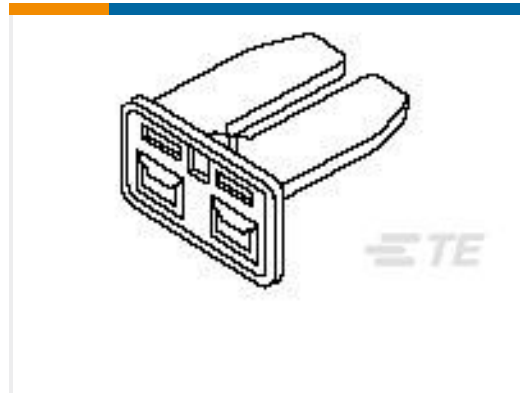
Customers Also Bought



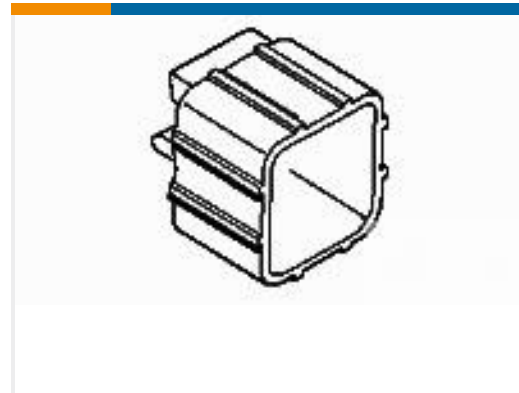
TE Part #174984-2
ECONOSEAL, CONNECTOR HOUSING



TE Part #173600-1
Econoseal Receptacles and Tabs



TE Part #1-174358-1
E-J MK-2 PLUG HSG 3P NATURAL



TE Part #1-174985-1
E-J MK-2 CAP HSG 8P NATURAL



TE Part #NB18922001
RNF-100-1/16-YO-STK



TE Part #1-174983-1
E-J MK-2 PLUG HSG 8P NATURAL

Documents

Product Drawings

070 TYPE RUBBER PLUG

Japanese

CAD Files

3D PDF

3D

Customer View Model

[ENG_CVM_CVM_2822352-1_A.2d_dxf.zip](#)

English

Customer View Model

[ENG_CVM_CVM_2822352-1_A.3d_igs.zip](#)

English

Customer View Model

[ENG_CVM_CVM_2822352-1_A.3d_stp.zip](#)

English

By downloading the CAD file I accept and agree to the [Terms and Conditions](#) of use.



Product Specifications

Product Specification

Japanese

Product Specification

English

Product Specification

Japanese

Product Specification

Japanese

Product Specification

English

Agency Approvals

Agency Approval Document

English