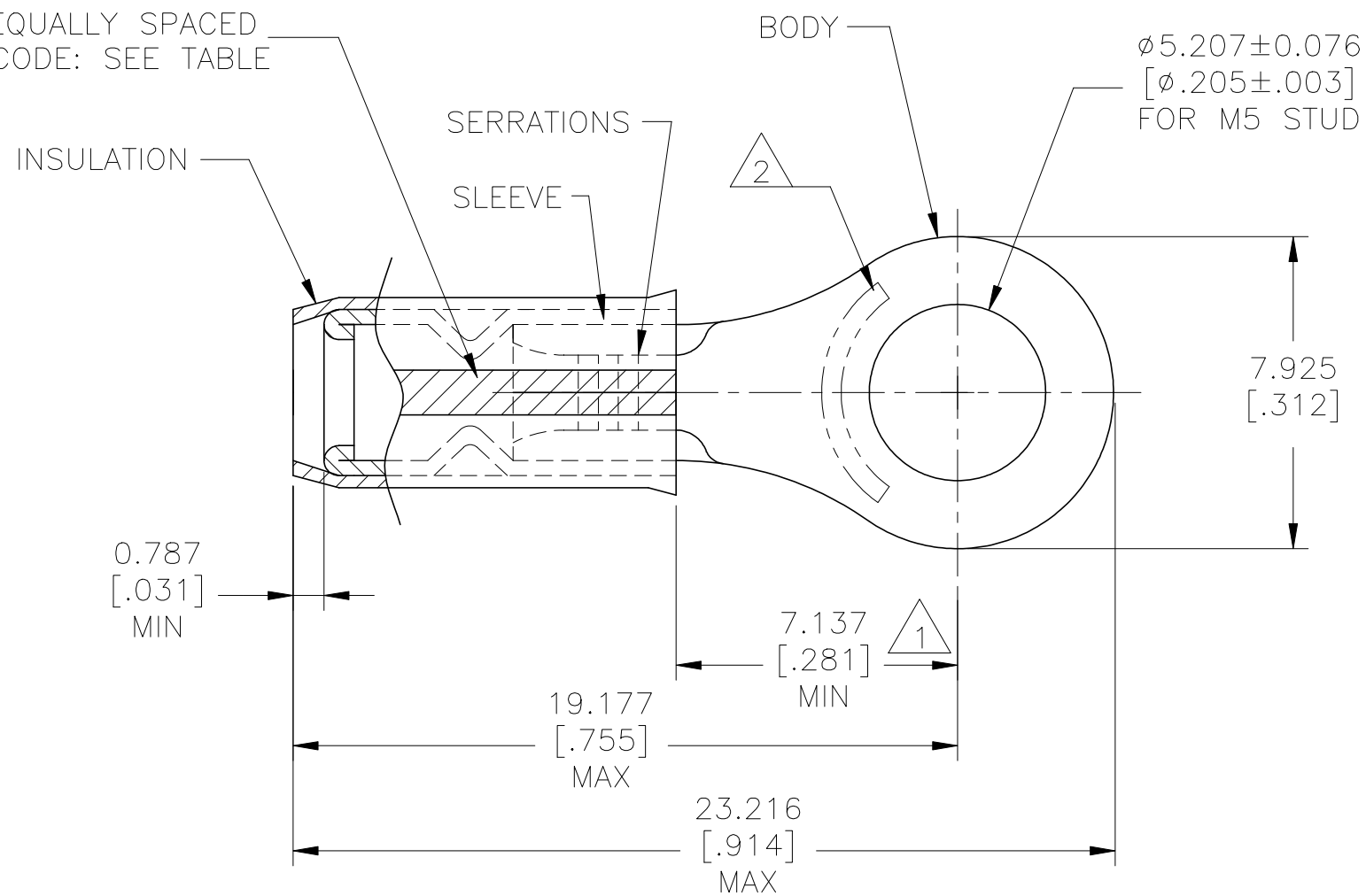


© - TE Connectivity. All Rights Reserved.

REVISIONS					
P	LTR	DESCRIPTION	DATE	DWN	APVD
	F	REVISED PER ECR-23-175984	30MAY2023	BB	DSC

3 STRIPES EQUALLY SPACED FOR COLOR CODE: SEE TABLE



- 1. DIMENSION APPLIES FROM EDGE OF METAL WIRE BARREL TO CENTER OF STUD HOLE.
- 2. STAMP "AMP 22-16*" APPROX AS SHOWN
- 3. WIRE INSULATION DIAMETER:SEE TABLE
- 4. BODY MATERIAL THK: 0.787±0.051[.031±.002]
- 5. MATERIAL:
BODY & SLEEVE - COPPER PER ASTM B152
INSULATION - NYLON
- 6. FINISH:
BODY & SLEEVE - TIN PLATE 0.00254[.000100]
MIN EXT THK PER ASTM B545
INSULATION COLOR - RED

QTY	PACKAGE TYPE	STRIPE COLOR	WIRE INSULATION DIAMETER	WIRE SIZE	PART NUMBER
500	LOOSE PIECE	WHITE	1.422[.056] - 2.794[.110]	18	131648-3
500	LOOSE PIECE	RED	1.168[.046] - 2.794[.110]	20	131648-1

AMP INCORPORATED
CUSTOMER SERVICE SYSTEMS

FOR ADDITIONAL PRODUCT INFORMATION OR COPIES OF DRAWINGS AND TECHNICAL DOCUMENTS
PRODUCT INFORMATION CENTER
1-800-522-6752

FOR APPLICATION TOOLING INFORMATION
TOOLING ASSISTANCE CENTER
1-800-722-1111

FOR ORDER ENTRY
1-800-526-5142

MAX RECOMMENDED OPERATING TEMPERATURE:
105°C [221°F] MAX

VOLTAGE RATING: 300 V MAX

WIRE RANGE: CIRC MIL AREA:
20 0.60mm² [1,186]
18 0.96mm² [1,900]
STRANDED

THIS DRAWING IS A CONTROLLED DOCUMENT.

DIMENSIONS: mm [INCHES]

TOLERANCES UNLESS OTHERWISE SPECIFIED:
0 PLC ± -
1 PLC ± -
2 PLC ± -
3 PLC ± 0.127[.005]
4 PLC ± -
ANGLES ± -

MATERIAL 5

FINISH 6

DWN 12MAY2023 LINGANATHAN P
CHK 12MAY2023 SUVARNA, CHETHAN D
APVD 12MAY2023 SUVARNA, CHETHAN D
PRODUCT SPEC -
APPLICATION SPEC 114-2157
WEIGHT -

TE TE Connectivity

NAME: TERMINAL, RING TONGUE, IR, PIDG™
WIRE SIZE: 20 & 18 AWG

SIZE: A3 CAGE CODE: 00779 DRAWING NO: 131648 RESTRICTED TO: -

CUSTOMER DRAWING SCALE: NTS SHEET: 1 of 1 REV: F