

- 32 Pin SMD Line Interface Filter Module
- Cw/w: 35pF Max 100KHz, 0.2V
- LL: 0.6μH Max @ 100KHz, 0.2V
- Operating Temp: -40°C to +85°C



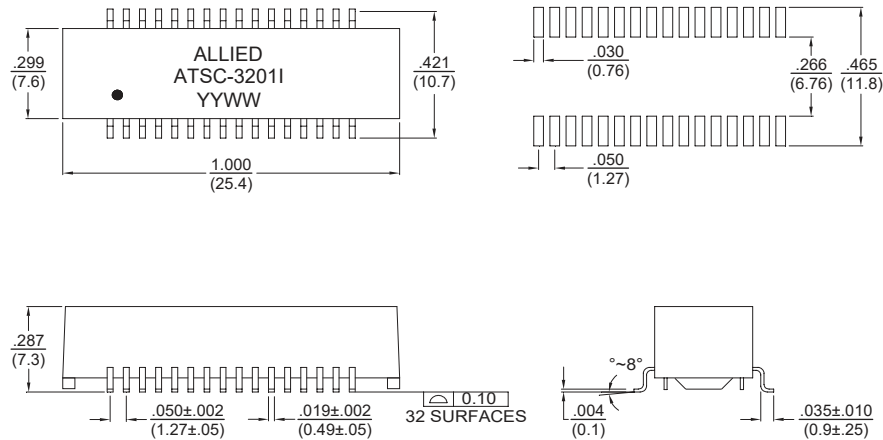
Electrical Specifications @ 25°C

Part Number	OCL(mH Min) @ 10KHz, 0.1V	Primary Pins	DCR (Max)	Isolation HI-POT (Vrms)
	With 8mA DC Bias			
ATSC-32011	1.2	1-2, 5-6, 9-10, 13-14 & 30-29, 26-25, 22-21, 18-17	1.2 Ω	1500

All specifications subject to change without notice.

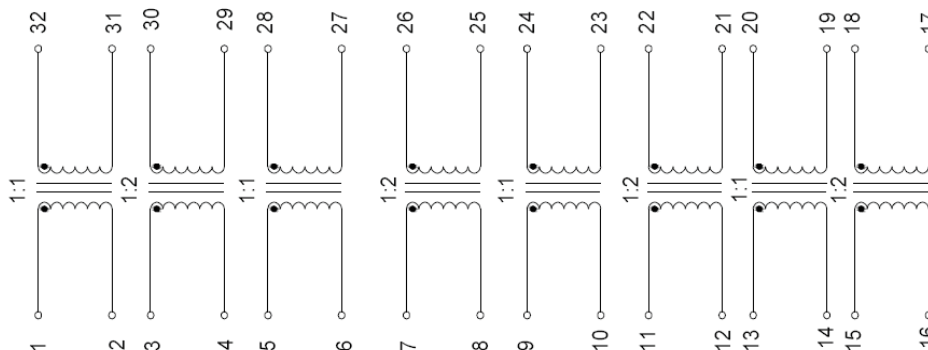
MECHANICAL

Dimensions: $\frac{\text{inch}}{\text{(mm)}}$



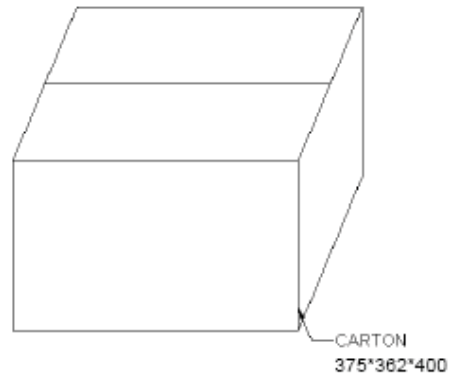
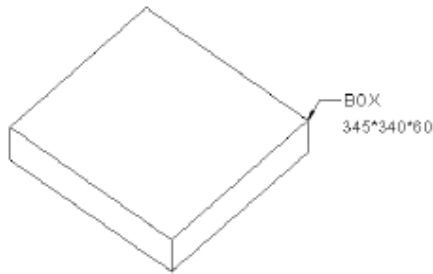
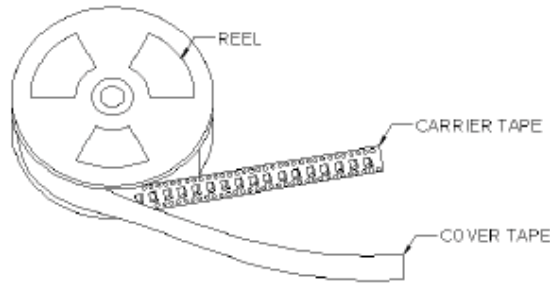
Unless otherwise specified, all tolerances are ±.010(0.25)

SCHEMATICS





Packaging Specifications



2.5g/pcs
5.0kg
7.3kg

400pcs/Reel
400pcs/Box
2000pcs/CARTON

