

## USB to 5V Serial UART dongle, FTDI Chipset



### Features

- Enables USB-to-Serial TTL conversion/bridging
- Connects to device (Microcontroller) UART or I/O
- Data transfer rates from 300 to 3M baud at TTL levels
- I/O includes TX, RX, RTS, CTS, VCC, and GND
- USB 2.0 full speed compatible
- Supports 7 or 8 Data bits, 1 or 2 Stop bits, and Parity setting of None, Even, Odd, Mark, or Space
- Data Flow controlled by RTS/CTS or XON/XOFF
- Internal EEPROM with allocated user writable area
- FTDIChip-ID™ Security feature supported
- PCB assembly powered by USB Bus
- External Logic powered from USB Port at +5V or +3V
- Factory Set for +5V CMOS drive outputs and 5V safe TTL inputs
- Operating Temperature range: -40C to +85C
- OHCI, UHCI, and EHCI host controller compatible
- Zero-Cost Royalty Free Drivers and Virtual Comm Port Software
- Drivers (USB and DLL software interface) supports: W98, 98SE, ME, Win2K, Win2003, WinXP, Win2008, WinXP-64, Win7, Win7-64, WinVista, WinVista64, WinXP-Embedded, WinCE v4.2, v5.0, v6.0, and Linux 2.4+
- Virtual Comm supports: W98, 98SE, ME, Win2K, Win2003, WinXP, Win2008, WinXP-64, Win7, Win7-64, WinVista, WinVista64, WinXP-Embedded, WinCE v4.2, v5.0, v6.0, MAC OS8, OS9, OSX, and Linux 2.4+

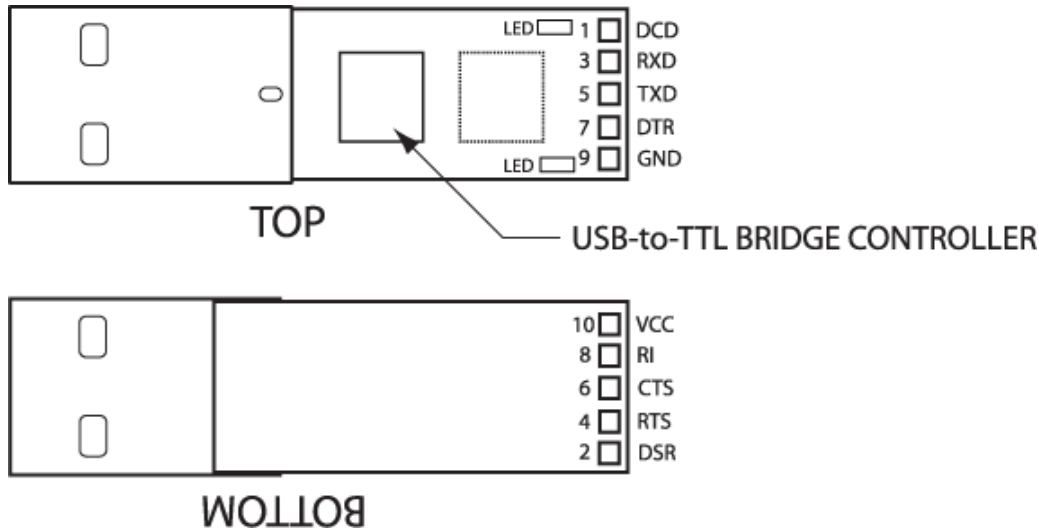
### Description

The RN-SRL-FTD5V-DGL is a USB-to-Serial TTL bridge board module (PCB Assembly) designed to accommodate a quick and easy means to interconnect to devices having TTL level Serial interfaces which require conversion to USB. The on-board bridge controller is FTDI's FT232R USB to Serial UART device which controls the necessary USB signal and protocol requirements.

As a PCB Assembly, the RN-SRL-FTD5V-DGL is comprised of 2 main components, a USB type-A connector as the interface to the outside world, and small form factor PCB requiring soldered-wire connections to the mating device(s). The RoHS compliant PCB assembly is configured with a fixed TTL output level of +5V.

Deriving its power from the USB bus connection, the RN-SERIAL-FTD5V-DGL is USB 2.0 Full Speed compatible and inherently complies with all of the FTDI-FT232R documented features and specifications. The RN-SERIAL-FTD5V-DGL also includes support for data transfer rates of up to 3Mbaud, and supports the FTDIChip-ID™ feature as well. This feature involves the factory-installed unique internal serial number for use in cases where security is an issue, and where password protection is required for applications involving file transfer processes and other security applications. Each bridge board module is equipped with two LEDs preconfigured as data transmission activity indicators for the TX (RED) and RX (GREEN) signal lines. Redefining the fixed function purpose of either or both LEDs may be possible through use of third party software and utilities.

Software drivers are zero-cost and royalty-free and readily available from various online sources as well as from our support site: <http://rovingnetworks.com/support.php>

**Mechanical Details –PAD Location and Signal Description**

**Ordering Information**

Part Number	Description
RN-SRL-FTD5V-DGL	USB to 5V serial UART dongle, FTDI chipset, USB connector, bare PCB, 5V serial connection

**Related Products**

Part Number	Description
RN-SRL-PRO3V-DGL	USB to 3V serial UART dongle, Prolific chipset, USB connector, bare PCB 3V serial connection

---

**Copyright © 2011 Roving Networks.** All rights reserved.

Roving Networks reserves the right to make corrections, modifications, and other changes to its products, documentation and services at any time. Customers should obtain the latest relevant information before placing orders and should verify that such information is current and complete.

Roving Networks assumes no liability for applications assistance or customer product design. Customers are responsible for their products and applications using Roving Networks components. To minimize the risks associated with customer products and applications, customers should provide adequate design and operating safeguards.

Roving Networks products are not authorized for use in safety-critical applications (such as life support) where a failure of the Roving Networks product would reasonably be expected to cause severe personal injury or death, unless officers of the parties have executed an agreement specifically governing such use.