

**Crimp Tool Kit  
For Imperium Plus**

**Application Tooling  
Specification Sheet**

**Order No. 19290-0300**

**SCOPE**

**Tooling:** Crimp Tool Kits are used with the Hydraulic Head Crimper with the Air/Hydraulic Pump (19286-1000). Refer to the appropriate tool instruction manual for installation and operation information.

**Products:** Imperium Plus terminals to 2/0 AWG pre-tinned copper wire.

Note: For 2/0 AWG bare copper wire, see 19290-0350 Crimp Tool Kit specification sheet.

Refer to the Product part number charts on this sheet for terminals.

**Testing**

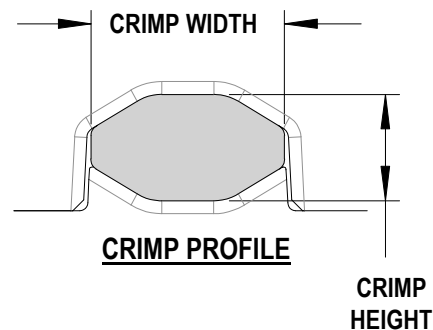
The tensile test or pull test is a means of evaluating the mechanical properties of the crimped connections. The following chart shows the specifications for the wire size. The tensile strength is shown in Newton and (pounds) and indicates the minimum acceptable force to break or separate the terminal from the conductor.

Wire Size (AWG)	Minimum Pull (UL 486)
2/0	1334N (300 lbs.)

**Crimp measurement**

After crimping, the terminal crimp profiles should measure the following:

Terminal Series No.	Wire Size		Crimp Height (Ref)		Crimp Width (Ref)	
	AWG	Wire Style	mm	In.	mm	In.
171423 / 171562	2/0	Pre-Tinned	8.68-8.88	.342-.350	15.85-16.05	.624-.632



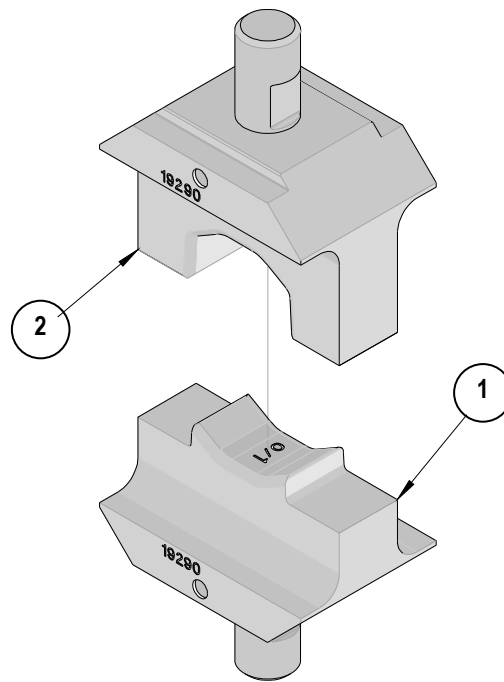
The following is a Partial List of the Product Part Numbers and their specifications that this tooling is designed to crimp. We will be adding to this list and an up to date copy is available on [www.molex.com](http://www.molex.com).

Terminal Series	Terminal No.	Wire Size (AWG)	Wire Strands / AWG	Wire Strip Length	
				In	mm
171423	171423-1002	2/0 (Pre-Tinned)	1330 / 30	0.87	22
171562	171562-7001				

**CAUTION:** Molex crimp specifications are valid only when used with Molex terminals and tooling.

## Parts List

Item	Order No.	Description	Qty
	<b>19290-0300</b>	<b>Crimp Tooling Kit</b>	<b>REF</b>
1	19290-0301	Conductor Anvil	1
2	19290-0302	Conductor Punch	1



Visit our Web site at <http://www.molex.com>