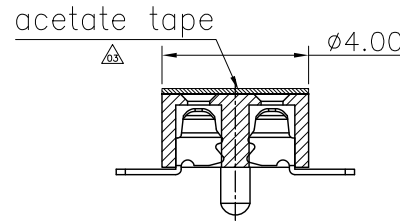
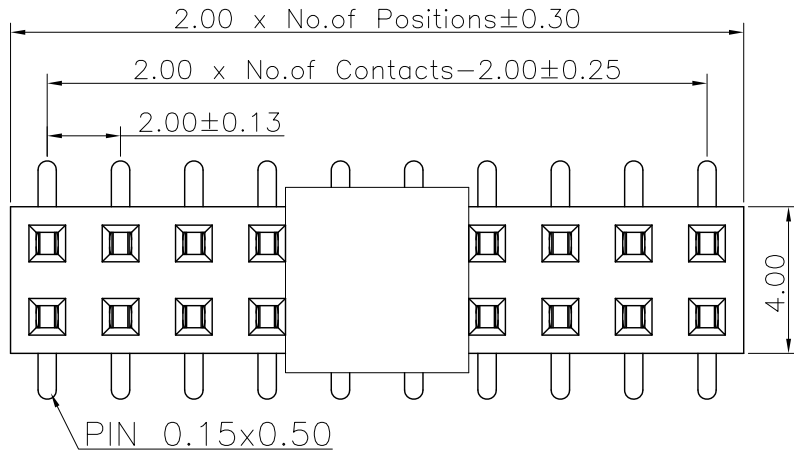
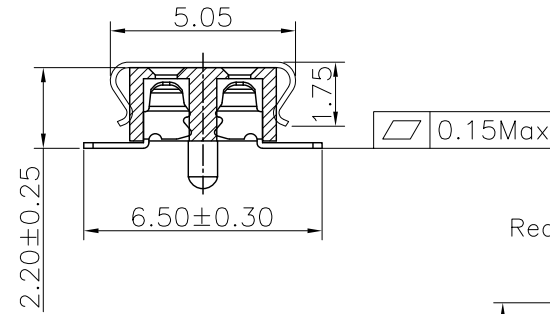
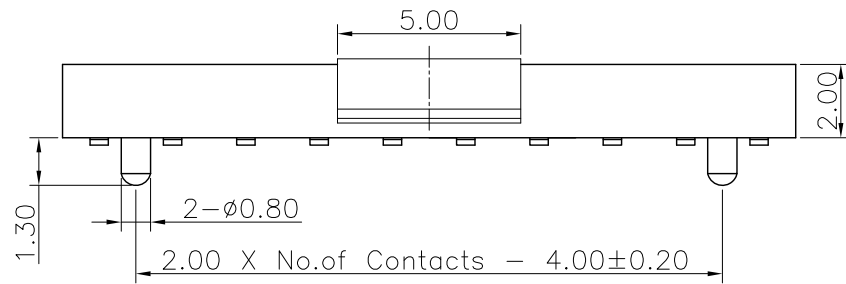


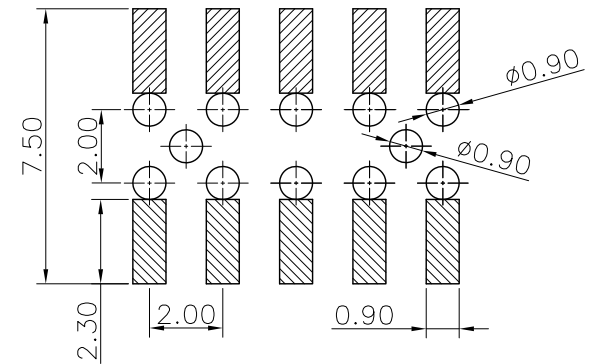
REV.	LOCAS.	DESCRIPTION	DATE	DRAWN
01	NEW	INITIAL RELEASE.	2010.08.06	謝金發
02	△	變更圖號	2012.04.18	黃小燕
03	△	新增醋酸膠紙	2012.11.07	邱明周



Specifications
 Current Rating: 2Amp
 Insulation Resistance: 1000MΩMin.
 Dielectric Withstanding Voltage: 500VAC
 Contact Resistance: 20mΩMax.
 Operating Temperature: -40°C to +105°C
 Materials
 Contact Material: Phosphor Bronze
 Insulator Material: High Temperature Thermoplastic, UL 94V-0 Nylon 6T(無鹵) or the equivalent material
 All materials must meet Greenconn requirement for environment protection.



Recommended P.C.Board Layout FOR BOTTOM ENTRY



Ordering Information

C SFC206 - XX XX B 001 R 1 A X

No. of Pins per Row
03~40

Standard Plating
02=Gold Flash
Selective Plating
01=Tin
05=Gold Flash/Tin

Color
1=Black

Standard Packing
C=Tube
Selective Packing
A=Box
E=CAP+Tube
F=CAP+Tape&Reel

格菱股份有限公司
Greenconn Corporation

GENERAL TOLERANCE	
X.*±5.0°	X.±0.30
.X*±3.0°	.X±0.25
.XX*±2.0°	.XX±0.15
.XXX*±1.0°	.XXX±0.10

DESIGN: 邱明周	DATE: 2012.11.07
CHECKED: 劉北平	DATE: 2012.11.07
AUDITED: 李輝	DATE: 2012.11.07
APPROVED: cc_li	DATE: 2012.11.07

DWG. NO.	CSFC206-△
PART NO.	CSFC206-XXXX B001R1AX

TITLE.	2.0 FEMALE HEADER DUAL ROWS SMT TYPE BASE 2.00H
--------	---

REV.	UNIT.	SCALE.	PAGE.
03	mm	5:1	1/1