

- 10/100 Base-T Ethernet Application
- Impedance: 100Ω
- Transmit open circuit inductance (OCL): 350μH Min @100KHz, 0.1VRMS with 8mA DC Bias
- RJ45 jack cavity conforms to FCC rules and regulations Part 68, Sub Part F
- Industrial Operating Temp: -40°C to +85°C



Electrical Specifications @ 25°C

Part Number	OCL(μH Min) @ 100kHz, 0.1V With 8mA DC Bias	Turns Ratio (±5%)	Insertion Loss (dB Max)	Return Loss (dB Min)		
			0.3-100MHz	30MHz	50MHz	80MHz
AR11-3780I	350	1:CT:1CT	-1.0	-18	-15	-12

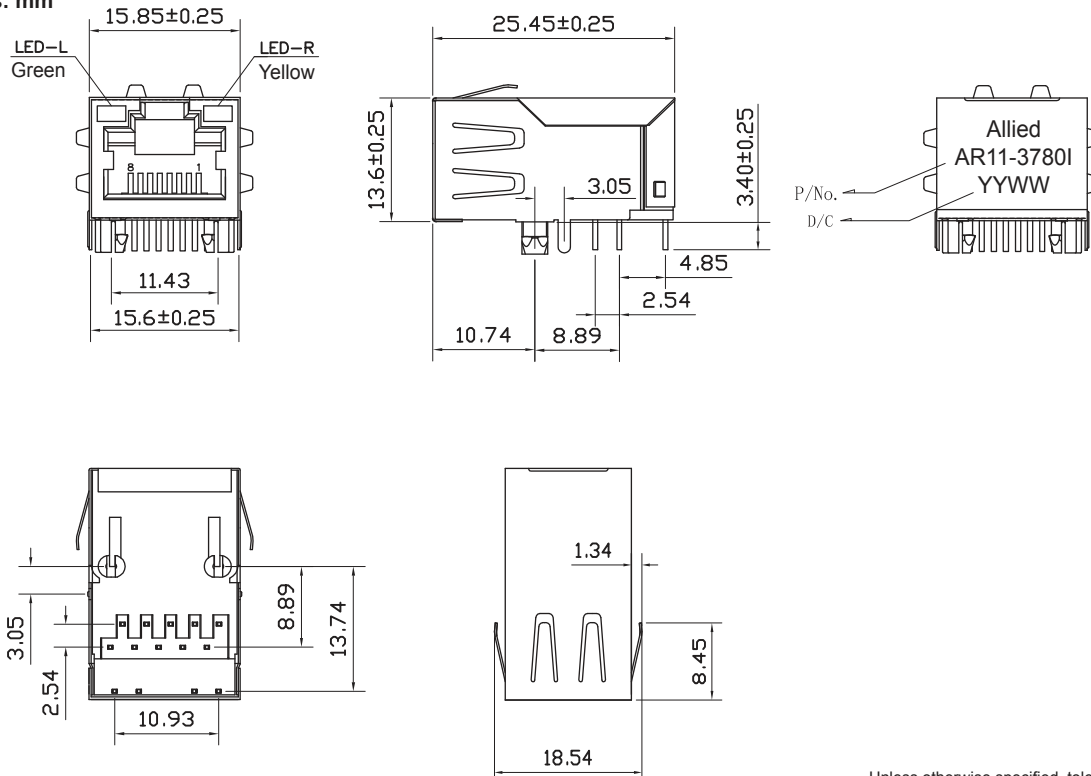
Electrical Specifications @ 25°C

Part Number	Cross Talk (dB Min)			CMR (dB Min)			HI-POT (Vrms) 0.5mA/2Sec. 1500
	30MHz	60MHz	100MHz	30MHz	60MHz	100MHz	
AR11-3780I	-38	-38	-38	-40	-40	-40	

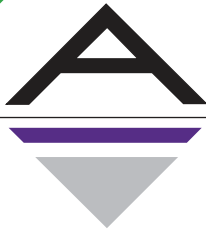
All specifications subject to change without notice.

MECHANICAL

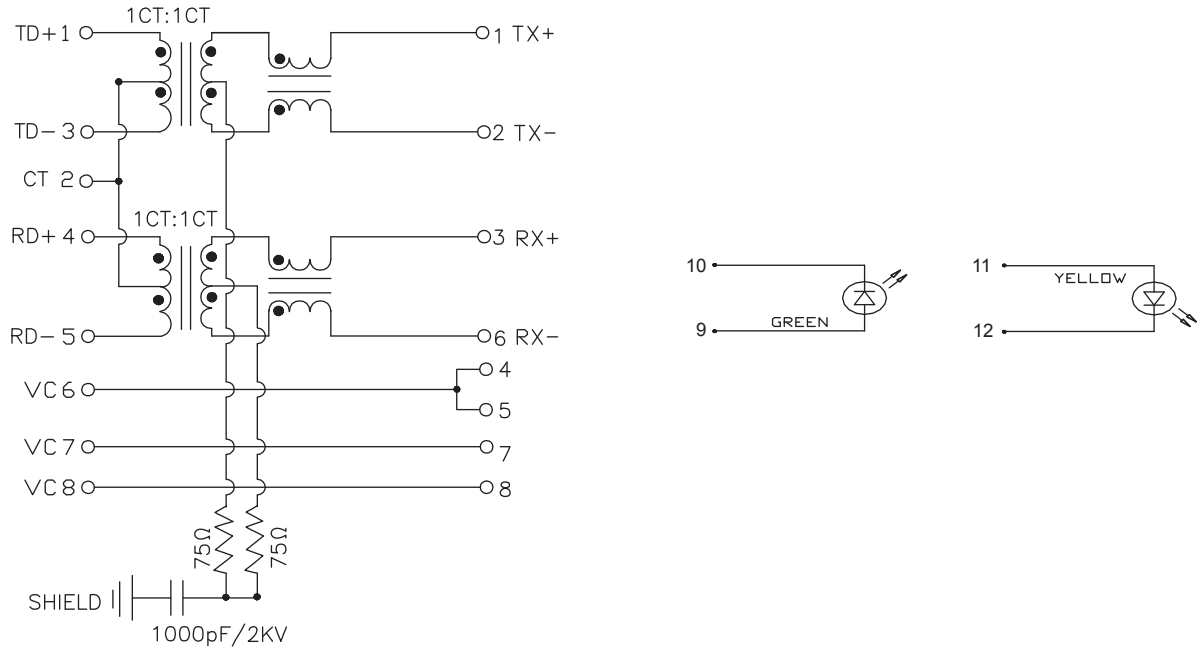
Dimensions: mm



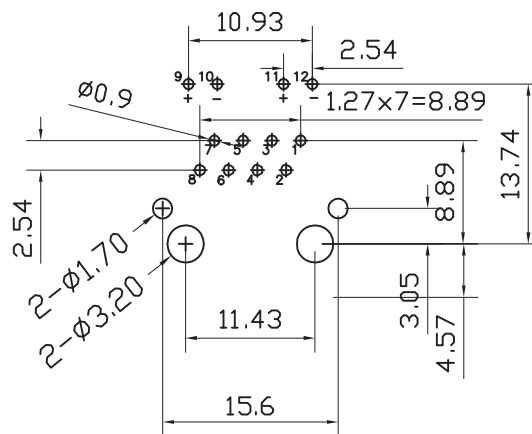
Unless otherwise specified, tolerance is ±0.20 mm



**SCHEMATICS**



**PCB LAYOUT**



**NOTES**

- 1. Shield- 0.20mm Thickness Brass C2680 H.  
Plating Nickel 30µ"- 50µ"
- 2. Housing- Standard Material Nylon66, Glass filled  
Polyester UL94V-0 Standard Color Black.
- 3. Insert Pin- Plastic: Nylon 66 G.F, UL94V-0, Standard Color Black.  
Pin: 0.35mm Thickness Phos-Bronze C5210 EH.  
Plating: Nickel 40µ"- 60µ", for all and Sn100%, and 6µ" Gold Plating.
- 4. Contact Pin- Plastic: PBT 30% G.F, Glass Filled, UL94V-0,  
Standard Color Black.  
Pin: 0.35mm Thickness Phos-Bronze C2680.  
Plating: Nickel 40µ"- 60µ" for all and Sn 100%.