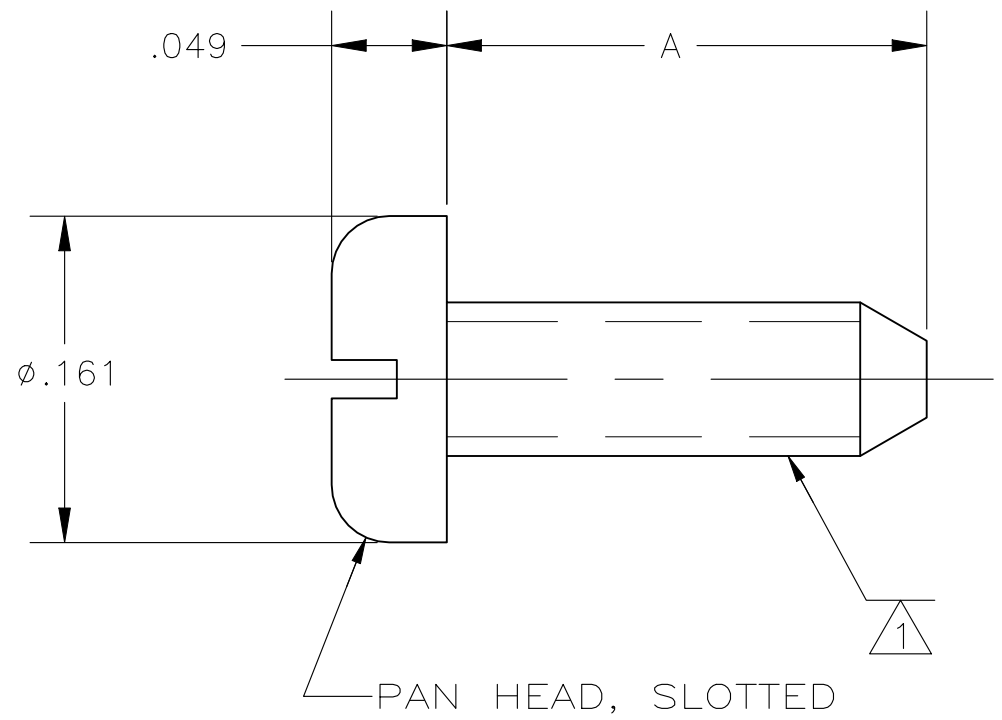

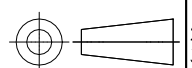


REVISIONS					
P	LTR	DESCRIPTION	DATE	DWN	APVD
	P1	REVISED PER ECN-22-154769	24MAY2022	RZ	WK

- ① #2-56 SPECIAL THREAD-ROLLING SCREW THREAD
- ② CARBON STEEL PER AISI 1019-1022
- ③ ZINC PLATE



.250 MAX	9-221108-1
.312 MAX	9-221108-0
.250 MAX	221108-4
.312 MAX	221108-2
A DIM	PART NO

THIS DRAWING IS A CONTROLLED DOCUMENT.		DWN M SYKES 02JUN2006	 TE Connectivity			
DIMENSIONS: INCHES		CHK DK SCHRUM 02JUN2006				
TOLERANCES UNLESS OTHERWISE SPECIFIED: 0 PLC ± - 1 PLC ± - 2 PLC ± - 3 PLC ± .008 4 PLC ± - ANGLES ± -		APVD JT LIPPERT 02JUN2006	NAME			
		PRODUCT SPEC	SCREW, SELF TAPPING			
MATERIAL		APPLICATION SPEC	SIZE	CAGE CODE	DRAWING NO	RESTRICTED TO
②		FINISH	0.000000	A300779	C-221108	-
③		CUSTOMER DRAWING		SCALE	SHEET	REV
				NTS	1 OF 1	P1