

Directional Coupler

We accomplish the advanced characteristics of Low Insertion Loss and High Isolation, the Miniaturization and High Performance by our μ -wave circuit simulation and fine line printing technologies.

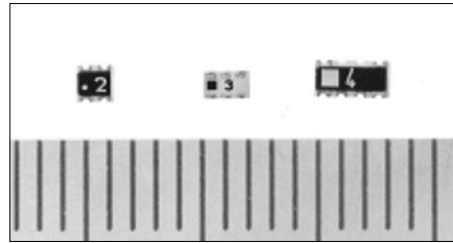
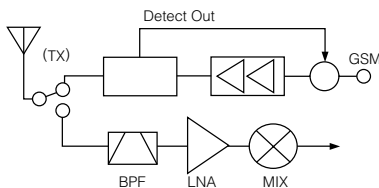
Features

- Miniature, thin (1.6 X 0.8 X t 0.55)
- Available for each frequency range (700 MHz to 2500 MHz)
- High isolation
- Integrated termination resistance available

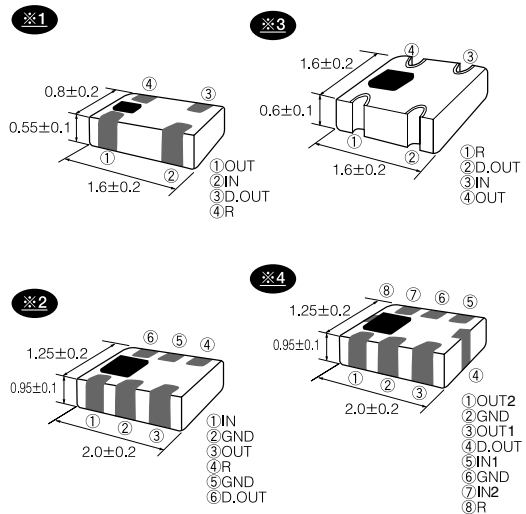
Recommended Applications

- Digital portable Telephone
- Dual mode Portable Telephone
- Personal handy-phone system
- Mobile communication system

Block Diagram



■ Dimensions in mm (not to scale)



Typical Characteristics

Part No. Items	EHFFD													
	1775D	1775E	1775F	1775K	1775L	1774D	1774E	1774F	1774K	1540	1549	1541	1542	1812
Frequency (MHz)	850 to 950	850 to 950	850 to 950	1750 to 1950	1750 to 1950	850 to 950	850 to 950	850 to 950	1750 to 1950	800 to 1000	800 to 1000	1800 to 2000	1850 to 1950	880 to 925 1700 to 1900
Insertion Loss (dB)	0.35 max.	0.25 max.	0.15 max.	0.4 max.	0.25 max.	0.4 max.	0.25 max.	0.15 max.	0.4 max.	0.25 max.	0.2 max.	0.35 max.	0.25 max.	0.4 max.
Coupled Value(dB)	14±1	17±1	20±1	14±1	17±1	14±1	17±1	20±1	14±1	17±2	20±2	14±2	20±1	19±1, 16±1
Isolation (dB)	22 min.	23 min.	30 min.	23 min.	27 min.	24 min.	25 min.	30 min.	25 min.	25 min.	25 min.	20 min.	26 min.	21 min.
VSWR	1.3 max.	1.3 max.	1.3 max.	1.3 max.	1.3 max.	1.3 max.	1.3 max.	1.3 max.	1.3 max.	1.3 max.	1.3 max.	1.3 max.	1.3 max.	1.5 max.
Size (mm)	1.6X0.8	1.6X0.8	1.6X0.8	1.6X0.8	1.6X0.8	2.0X1.25	2.0X1.25	2.0X1.25	2.0X1.25	1.6X1.6	1.6X1.6	1.6X1.6	1.6X1.6	2.0X1.25
Construction No.	※1	※1	※1	※1	※1	※2	※2	※2	※2	※3	※3	※3	※3	※4
Note														Dual

Design and specifications are subject to change without notice. Ask factory for technical specifications before purchase and/or use. Whenever a doubt about safety arises from this product, please contact us immediately for technical consultation.