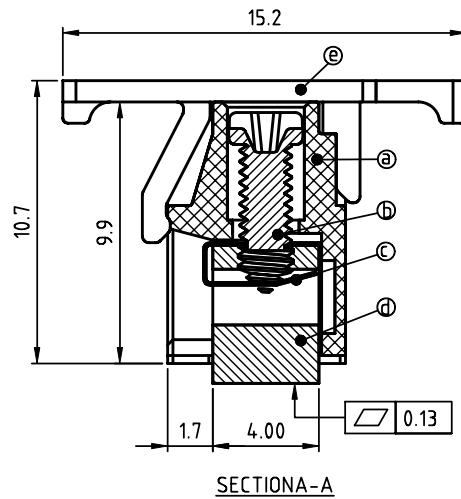
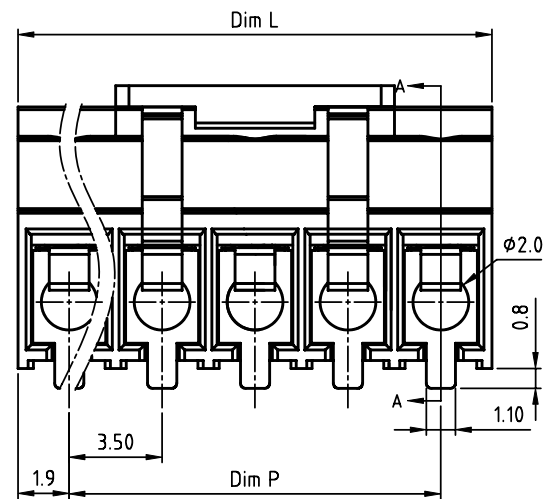
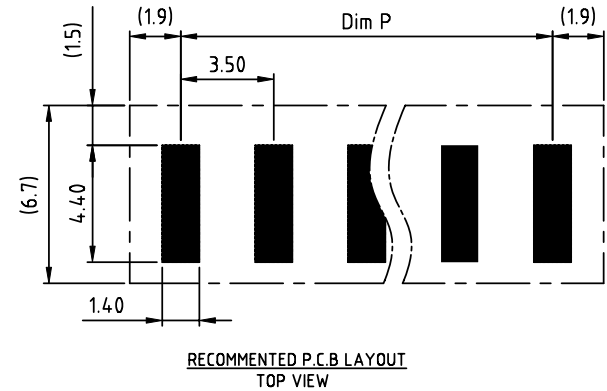
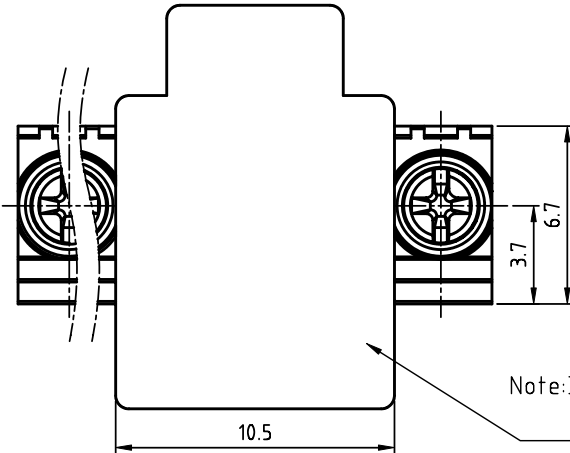


| | |
|----------------|---------|
| PRODUCT NUMBER | PITCH |
| ECxx10x0B0J0G | 3.50 mm |



Materials

- Item ① Terminal body: High temp. polyamide (UL94V-0)
- Item ② Terminal screw: Steel Zinc plating "+/-" slot type
- Item ③ Wire guard: Stainless steel
- Item ④ Terminal: Brass (CuZn) Tin Plated
- Item ⑤ Terminal Cover: High temp. polyamide (UL94V-0)

Electrical UL

- Voltage rating: 150VAC
- Current rating: 10A
- Wire range:
- Solid wire (AWG): 16-26
- Stranded wire (AWG): 16-26
- Torque (Lb-In): 2.0
- Screw: M2.0
- Wire strip length: 5-6mm
- Withstanding Voltage: 1.6KV
- Operating temperature: -40°C to +115°C
- Reflow Soldering temperature: 260°C/10Sec max
- Safety Approval:

N = Number of poles
 Dim L = N x 3.5 + 0.35
 Dim P = (N - 1) x 3.5

| Poles | Dim | Dim L | Dim P |
|--------|-----|-------|-------|
| 2-6p | | ±0.25 | ±0.20 |
| 7-12p | | ±0.30 | ±0.25 |
| 13-16p | | ±0.35 | ±0.30 |

PART NO.: EC xx 10 x 0 B0J0 G

- Solid block 02 2 POLES 0
- Body Color Black (RAL9005)
- RoHS compliant (lead < 4%) In copper Alloy
-
- 16 16 POLES

| | | | | | |
|-------------|----------|----------------------|----------------------|---------------------------------------|---|
| mat'l. code | | surface ASME Y14.5 ✓ | tolerance ASME Y14.5 | projection | product family |
| ltr | ecn no | dr | date | tolerances unless otherwise specified | TERMINAL BLOCK |
| | | | | angles | title |
| | | | | X ± 0.5 | TERMINAL BLOCK |
| | | | | X.X ± 0.3 | WIRE PROTECTOR, WITHOUT PILLAR, SMT TYPE, 180D WIRE INLET |
| | | | | X* ± 1* | scale |
| | | | | dr | MM |
| | | | | ENGR | scale |
| | | | | EVIN ZHONG | 040314 |
| | | | | engr | 040314 |
| | | | | chr | 040314 |
| | | | | HANKE FENG | 040314 |
| | | | | appd | 040314 |
| | | | | SHI JUN | 040314 |
| sheet index | revision | A | | FCI | dwg no |
| | sheet | 1 | | | ECxx10x0B0J0G |
| | | | | type | sheet 1 of 1 size |
| | | | | | A4 |
| | | | | | CUSTOMER Drawing |