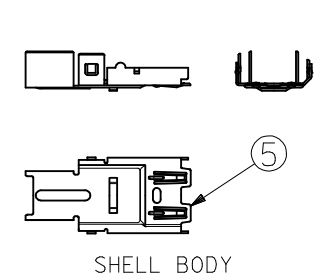
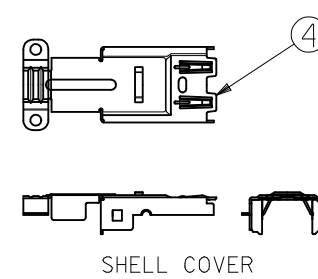
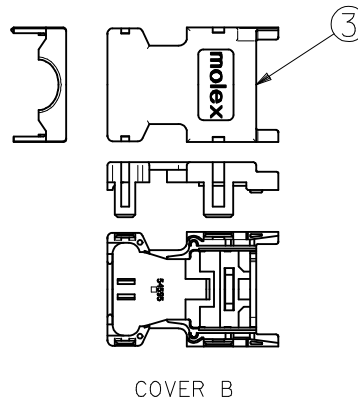
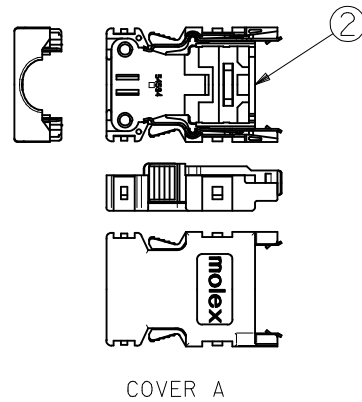
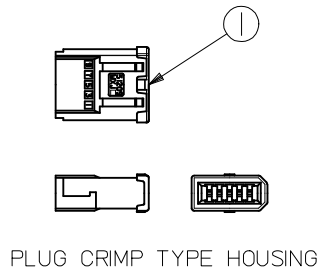
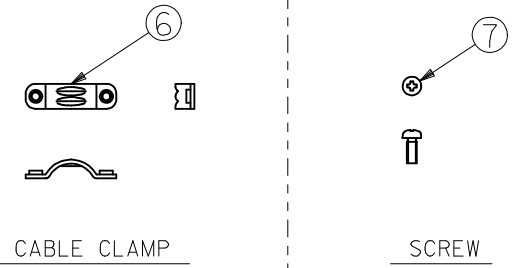


部品構成  
PARTS CONSTRUCTION

部番 NO.	部品名 PART NAME	製品番号 ENG. NO.	個数 QUAN.	材質 MATERIAL
①	プラグ クリンプタイプ ハウジング PLUG CRIMP TYPE HOUSING	51209-1001	1	ポリエステル、ガラス充填、UL94V-0、黒 PBT, GLASS FILLED, UL94V-0, BLACK
②	カバー A COVER A	54594-1016	1	カバー A : ポリカーボネート(PC)、ガラス充填、UL94V-0、黒 COVER A : POLYCARBONATE(PC), GLASS FILLED, UL94V-0, BLACK スプリングラッチ : ステンレス鋼 t0.4 SPRING LATCH : STAINLESS STEEL t0.4
③	カバー B COVER B	54595-1006	1	ポリカーボネート(PC)、ガラス充填、UL94V-0、黒 POLYCARBONATE(PC), GLASS FILLED, UL94V-0, BLACK
④	シエル カバー SHELL COVER	58935-1028	1	りん青銅 t0.4 PHOSPHOR BRONZE t0.4
⑤	シエル ボディ SHELL BODY	58934-1028	1	メッキ仕様 : ニッケル下地 錫メッキ PLATING : NICKEL BASE TIN PLATING
⑥	ケーブルクランプ CABLE CLAMP	58937-0000	1	ステンレス鋼 STAINLESS STEEL
⑦	十字穴付きなべ小ネジ CROSS RECESSED PAN HEAD MACHINE SCREW	58203-0010	2	鋼 (ネジサイズ : M2X5) STEEL (SCREW SIZE : M2X5)

NOTES:

1. 対応ソケット : 55445-1019  
APPLECABLE SOCKET: 55445-1019
2. 対応圧着端子 : 59351-8\*28  
APPLECABLE CRIMP TERMINAL: 59351-8\*28
3. ELV AND RoHS COMPLIANT.

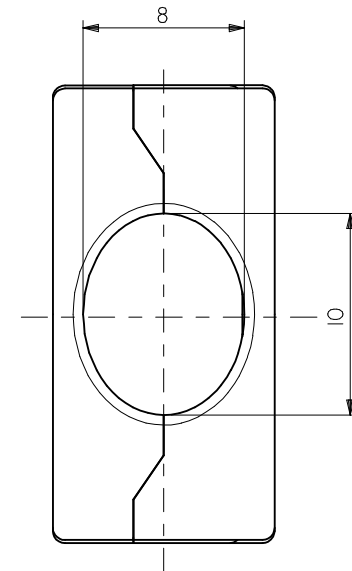
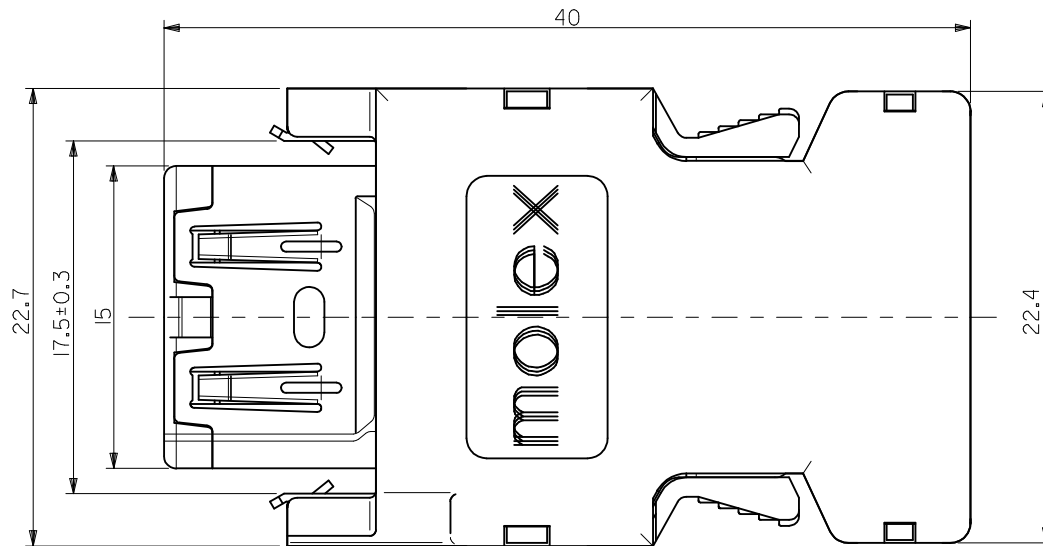
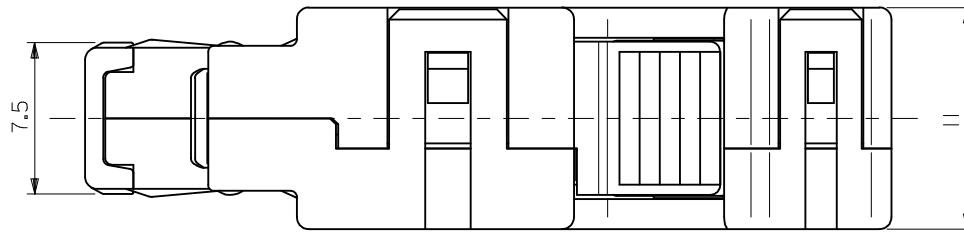


54599-1026  
オーダー番号 ORDER No.

CONNECTOR SERIES No. 54599-102\*

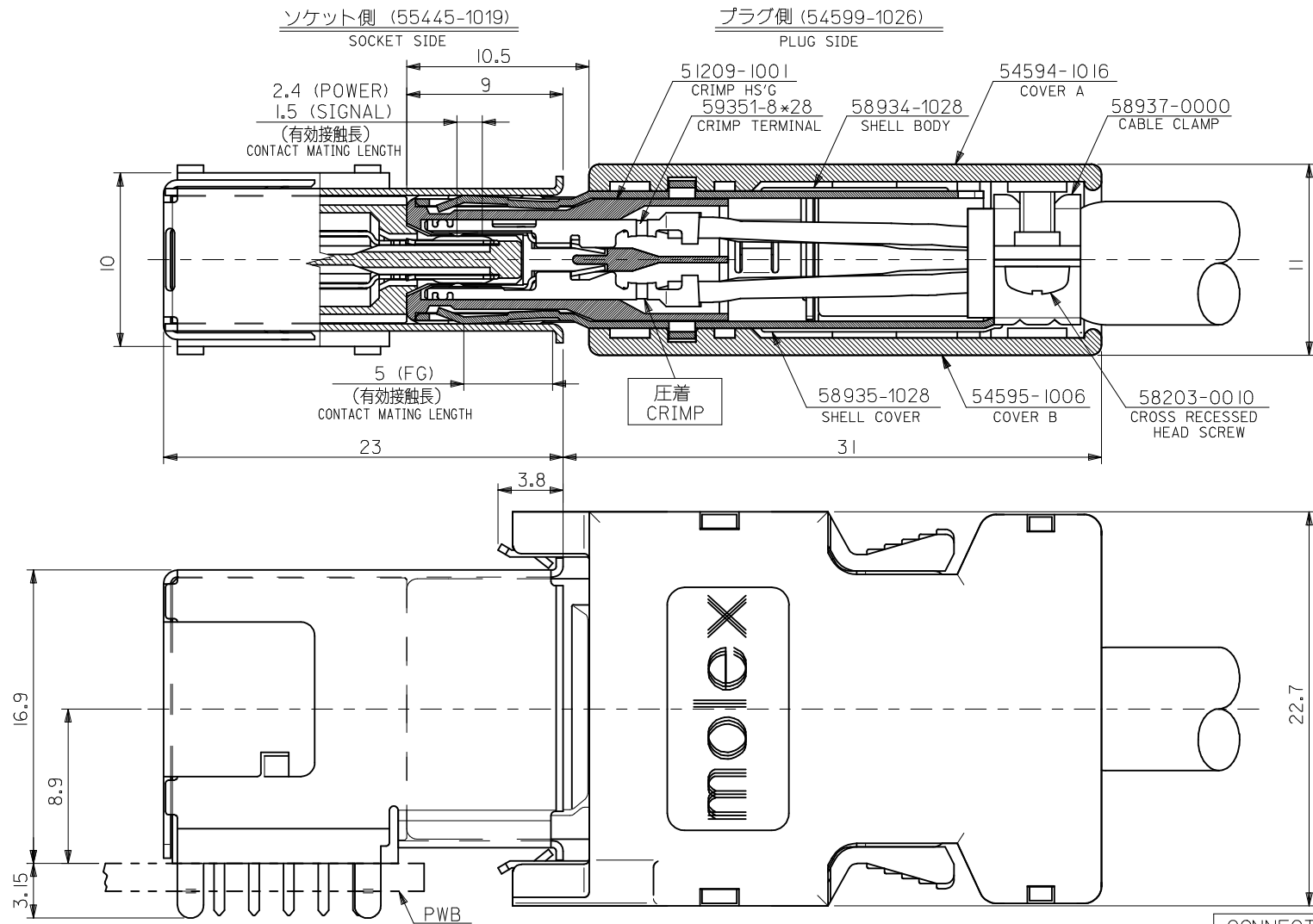
REVISED EC NO.: J2010-0554 DRWN: MHAYASHI 2009/09/18 CHKD: MHAYASHI 2009/09/18 APPR: NUKITA 2009/09/18 REV	GENERAL TOLERANCES (UNLESS SPECIFIED)		DIMENSION STYLE MM ONLY	SCALE ---	DESIGN UNITS METRIC	THIRD ANGLE PROJECTION
	10 UNDER	±0.2	DRAWN BY Y. AOYAGI	DATE 2009/01/30	TITLE 2.0 I/O CONN. HAND/S TYPE PLUG SET BLACK	
	10 OVER 30 UNDER	±0.25	CHECKED BY T. HARUYAMA	DATE 2009/01/30	MOLEX INCORPORATED	
	30 OVER	±0.3	APPROVED BY N. UKITA	DATE 2009/01/30	MATERIAL NO. SEE TABLE	DOCUMENT NO. SD-54599-003
ANGULAR ±3 °		DRAFT WHERE APPLICABLE MUST REMAIN WITHIN DIMENSIONS		THIS DRAWING CONTAINS INFORMATION THAT IS PROPRIETARY TO MOLEX INCORPORATED AND SHOULD NOT BE USED WITHOUT WRITTEN PERMISSION		

10 9 8 7 6 5 4 3 2 1



CONNECTOR SERIES No. 54599-102\*

<b>REVISED</b> EC NO: J2010-0554 DRWN: HAYASHI 2009/09/18 CHKD: HAYASHI 2009/09/18 APPR: NUKITA 2009/09/18	DESCRIPTION REV	GENERAL TOLERANCES (UNLESS SPECIFIED)		DIMENSION STYLE <b>MM ONLY</b>		SCALE ---	DESIGN UNITS METRIC	THIRD ANGLE PROJECTION		
		10 UNDER	±0.2	DRAWN BY Y. AOYAGI	DATE 2009/01/30	TITLE 2.0 I/O CONN. HAND/S TYPE PLUG SET BLACK				
		10 OVER 30 UNDER	±0.25	CHECKED BY T. HARUYAMA	DATE 2009/01/30	MOLEX INCORPORATED				
		30 OVER	±0.3	APPROVED BY N. UKITA	DATE 2009/01/30	MATERIAL NO. SEE SHEET 1	DOCUMENT NO. SD-54599-003	SHEET NO. 2 OF 3		
		ANGULAR ±3 °		THIS DRAWING CONTAINS INFORMATION THAT IS PROPRIETARY TO MOLEX INCORPORATED AND SHOULD NOT BE USED WITHOUT WRITTEN PERMISSION						
		DRAFT WHERE APPLICABLE MUST REMAIN WITHIN DIMENSIONS								



CONNECTOR SERIES No. 54599-102\*

REVISED EC NO: J2010-0554 DRWN:MHAYASHI 2009/09/18 CHKD:MHAYASHI 2009/09/18 APPR:NUKITA 2009/09/18	GENERAL TOLERANCES (UNLESS SPECIFIED)		DIMENSION STYLE MM ONLY		SCALE ---	DESIGN UNITS METRIC	THIRD ANGLE PROJECTION
	10 UNDER	±0.2	DRAWN BY Y. AOYAGI	DATE 2009/01/30	TITLE 2.0 I/O CONN. HAND/S TYPE PLUG SET BLACK		
	10 OVER 30 UNDER	±0.25	CHECKED BY T. HARUYAMA	DATE 2009/01/30	MOLEX INCORPORATED		
	30 OVER	±0.3	APPROVED BY N. UKITA	DATE 2009/01/30	DOCUMENT NO. SD-54599-003	SHEET NO. 3 OF 3	
	ANGULAR ±3 °		MATERIAL NO. SEE SHEET 1		THIS DRAWING CONTAINS INFORMATION THAT IS PROPRIETARY TO MOLEX INCORPORATED AND SHOULD NOT BE USED WITHOUT WRITTEN PERMISSION		
DRAFT WHERE APPLICABLE MUST REMAIN WITHIN DIMENSIONS							