



VAL-U-LOK

TE Internal #: 2-1586000-2

Rectangular Power Connectors, Housing, Plug, Wire-to-Wire, 22

Position, 4.2 mm [.165 in] Centerline, Wire & Cable, UL 94V-2

[View on TE.com >](#)

Connectors > Power Connectors > Rectangular Power > Rectangular Power Connectors



Rectangular Power Connector Type: **Housing**

Connector & Housing Type: **Plug**

Connector System: **Wire-to-Wire**

Number of Positions: **22**

Centerline (Pitch): **4.2 mm [ .165 in ]**

**Features**

**Product Type Features**

Rectangular Power Connector Type	Housing
Connector & Housing Type	Plug
Connector System	Wire-to-Wire
Sealable	No
Connector & Contact Terminates To	Wire & Cable

**Configuration Features**

Insertion Force	15 Newton
Compatible With Wire & Cable Type	Discrete Wire
Number of Positions	22
Number of Rows	2

**Electrical Characteristics**

Operating Voltage	600 VAC
-------------------	---------

**Contact Features**

Contact Layout	Matrix
----------------	--------



Contact Retention Within Housing	Without
----------------------------------	---------

Contact Type	Pin
--------------	-----

### Termination Features

Termination Method to Wire & Cable	Crimp
------------------------------------	-------

### Mechanical Attachment

Connector Mounting Type	Cable Mount (Free-Hanging)
-------------------------	----------------------------

### Housing Features

Centerline (Pitch)	4.2 mm [.165 in]
--------------------	------------------

Housing Color	Natural
---------------	---------

Housing Material	Nylon
------------------	-------

### Dimensions

Connector Height	9.6 mm [.378 in]
------------------	------------------

Product Width	23.8 mm [.937 in]
---------------	-------------------

Product Length	47.4 mm [1.866 in]
----------------	--------------------

Compatible Insulation Diameter Range	1.2 – 3.1 mm [.047 – .122 in]
--------------------------------------	-------------------------------

Row-to-Row Spacing	4.2 mm [.165 in]
--------------------	------------------

### Usage Conditions

Operating Temperature Range	-40 – 105 °C [-40 – 221 °F]
-----------------------------	-----------------------------

### Operation/Application

Circuit Application	Power & Signal
---------------------	----------------

### Identification Marking

Circuit Identification Feature	With
--------------------------------	------

### Industry Standards

CSA Rating	208567
------------	--------

UL Rating	Recognized
-----------	------------

Agency/Standard	CSA, UL
-----------------	---------

Approved Standards	UL E28476
--------------------	-----------

UL Flammability Rating	UL 94V-2
------------------------	----------

Glow Wire Rating	Standard Part - Not Glow Wire
------------------	-------------------------------

### Packaging Features

Packaging Quantity	400
--------------------	-----



Packaging Method

Bag

### Product Compliance

[For compliance documentation, visit the product page on TE.com>](#)

EU RoHS Directive 2011/65/EU	Compliant
EU ELV Directive 2000/53/EC	Compliant
China RoHS 2 Directive MIIT Order No 32, 2016	No Restricted Materials Above Threshold
EU REACH Regulation (EC) No. 1907/2006	Current ECHA Candidate List: JUNE 2023 (235) Candidate List Declared Against: JUNE 2023 (235) Does not contain REACH SVHC
Halogen Content	Low Halogen - Br, Cl, F, I < 900 ppm per homogenous material. Also BFR/CFR/PVC Free
Solder Process Capability	Not applicable for solder process capability

#### Product Compliance Disclaimer

This information is provided based on reasonable inquiry of our suppliers and represents our current actual knowledge based on the information they provided. This information is subject to change. The part numbers that TE has identified as EU RoHS compliant have a maximum concentration of 0.1% by weight in homogenous materials for lead, hexavalent chromium, mercury, PBB, PBDE, DBP, BBP, DEHP, DIBP, and 0.01% for cadmium, or qualify for an exemption to these limits as defined in the Annexes of Directive 2011/65/EU (RoHS2). Finished electrical and electronic equipment products will be CE marked as required by Directive 2011/65/EU. Components may not be CE marked. Additionally, the part numbers that TE has identified as EU ELV compliant have a maximum concentration of 0.1% by weight in homogenous materials for lead, hexavalent chromium, and mercury, and 0.01% for cadmium, or qualify for an exemption to these limits as defined in the Annexes of Directive 2000/53/EC (ELV). Regarding the REACH Regulation, the information TE provides on SVHC in articles for this part number is based on the latest European Chemicals Agency (ECHA) 'Guidance on requirements for substances in articles' posted at this URL: <https://echa.europa.eu/guidance-documents/guidance-on-reach>

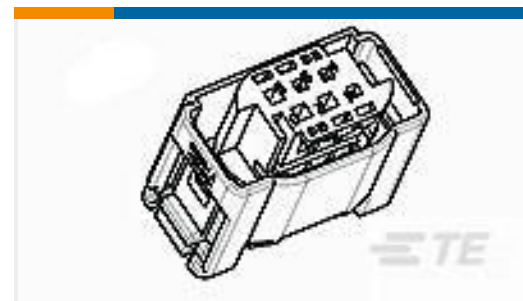
### Compatible Parts



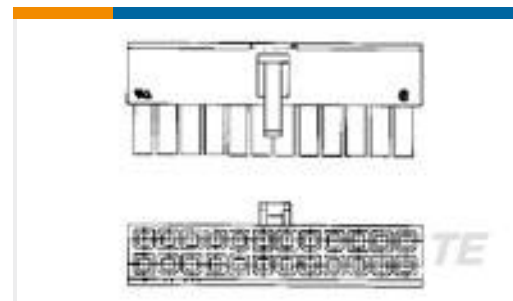
### Customers Also Bought



TE Part #5039324007  
Single Wall DR 25: Heat Shrink Tubing,  
2:1 Shrink Ratio



TE Part #2-967640-1  
4POS MQS REC COD B



TE Part #2-794954-2  
22P RCPT VAL-U-LOK V2



TE Part #7-1879350-8  
RR01 5% 360R AMMO



TE Part #1-2112780-9  
18POS, MIXED, REC HSG, ASSY,  
SEALED



TE Part #1418844-3  
MCON Receptacle and Tab



TE Part #2-1623729-5  
BCHE 17 W 68R 5%



TE Part #282342-1  
SPLASH PROOF CONN. ASS'Y

## Documents

### Product Drawings

#### 22P FH PLUG VAL-U-LOK V2

English

### CAD Files

#### 3D PDF

3D

#### Customer View Model

[ENG\\_CVM\\_CVM\\_2-1586000-2\\_D.2d\\_dxf.zip](#)

English

#### Customer View Model

[ENG\\_CVM\\_CVM\\_2-1586000-2\\_D.3d\\_igs.zip](#)

English

#### Customer View Model

[ENG\\_CVM\\_CVM\\_2-1586000-2\\_D.3d\\_stp.zip](#)

English

#### Customer View Model

[ENG\\_CVM\\_2-1586000-2\\_C.3d\\_stp.zip](#)

English

#### Customer View Model

[ENG\\_CVM\\_2-1586000-2\\_C.2d\\_dxf.zip](#)

English

#### 3D PDF

English

#### Customer View Model

[ENG\\_CVM\\_2-1586000-2\\_C.3d\\_igs.zip](#)

English



By downloading the CAD file I accept and agree to the [Terms and Conditions](#) of use.

---

### Datasheets & Catalog Pages

[SOFT\\_SHELL\\_PIN\\_AND\\_SOCKET\\_CONNECTORS\\_CATALOG](#)

English

---

### Product Specifications

[Application Specification](#)

English

---

### Agency Approvals

[UL Report](#)

English