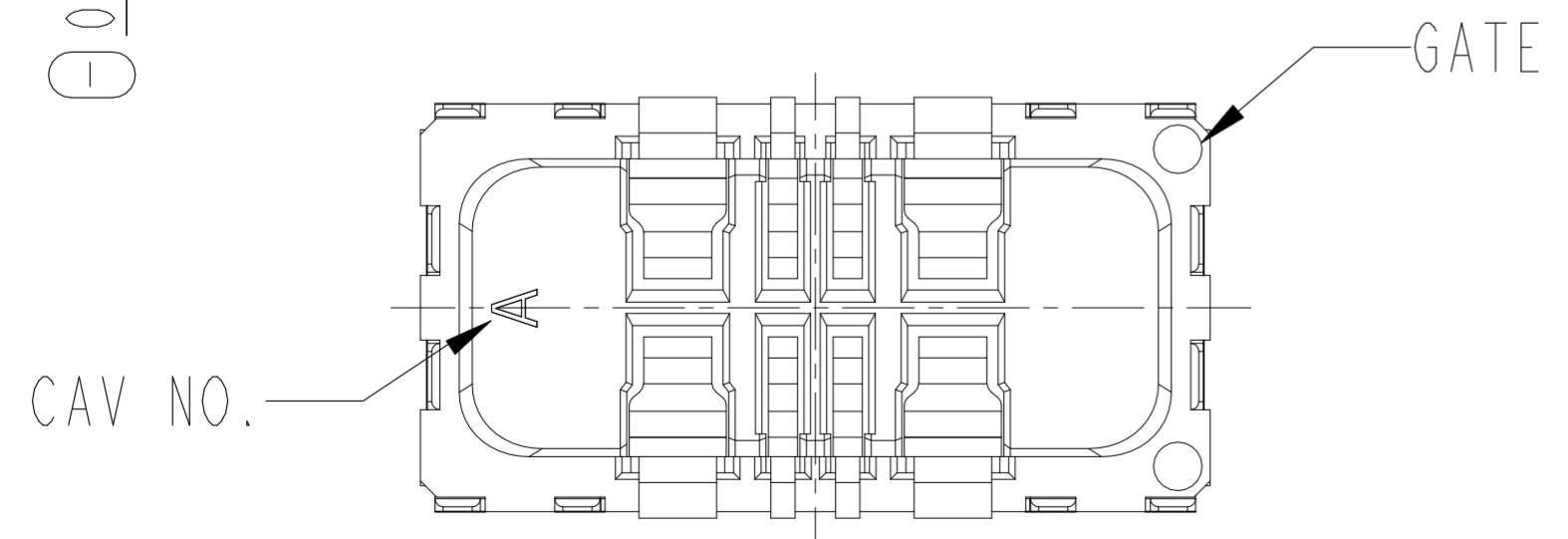
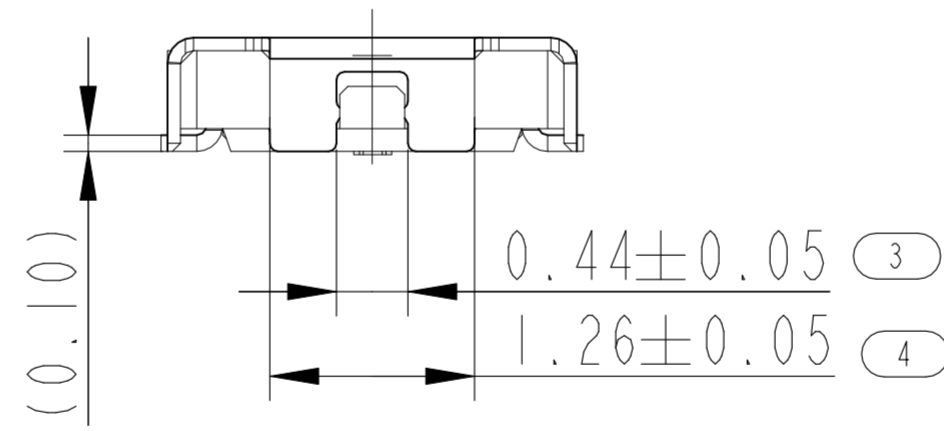
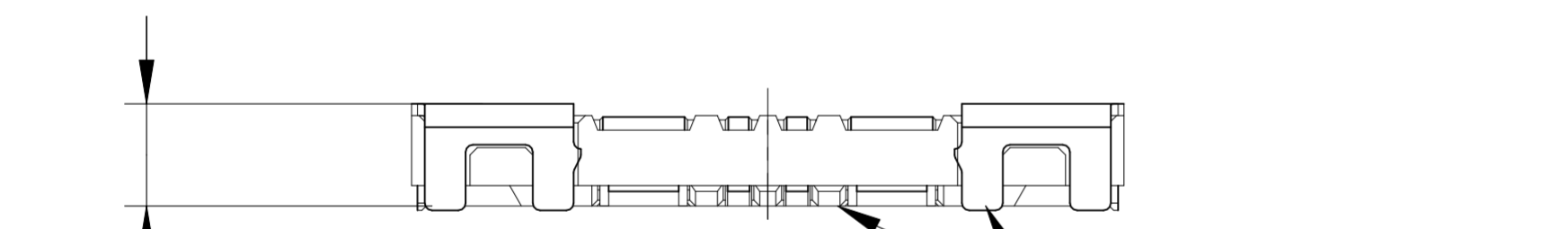
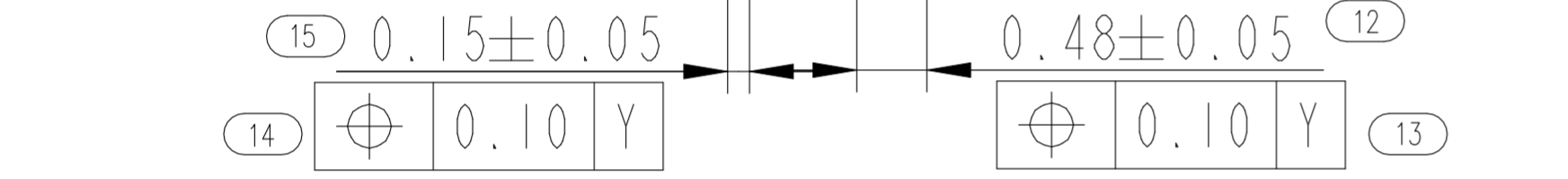
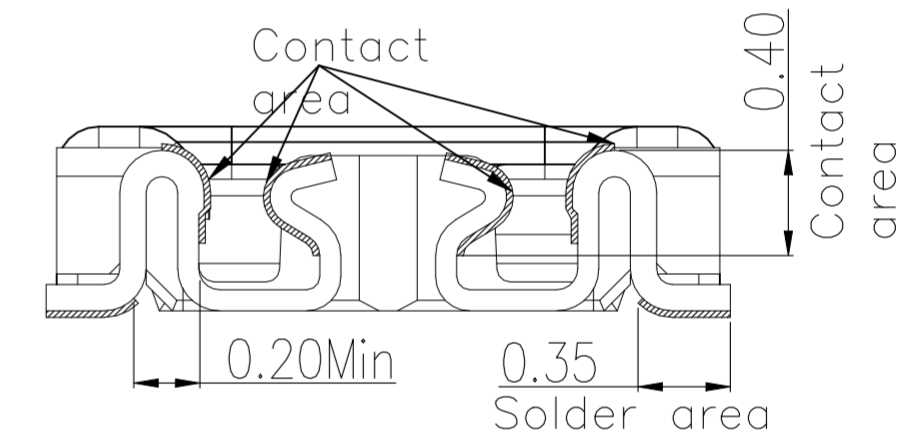
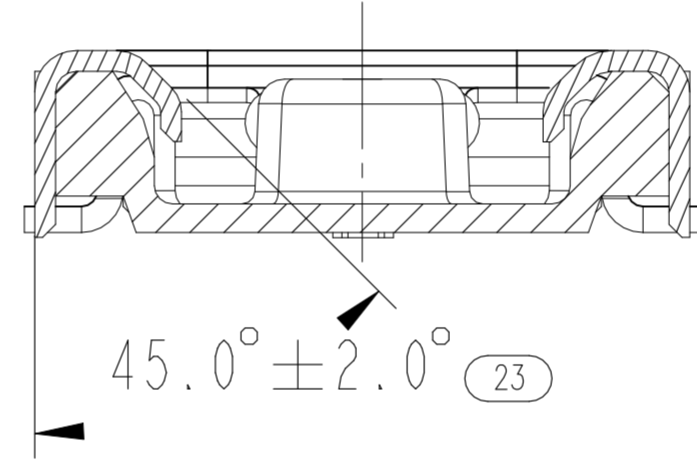
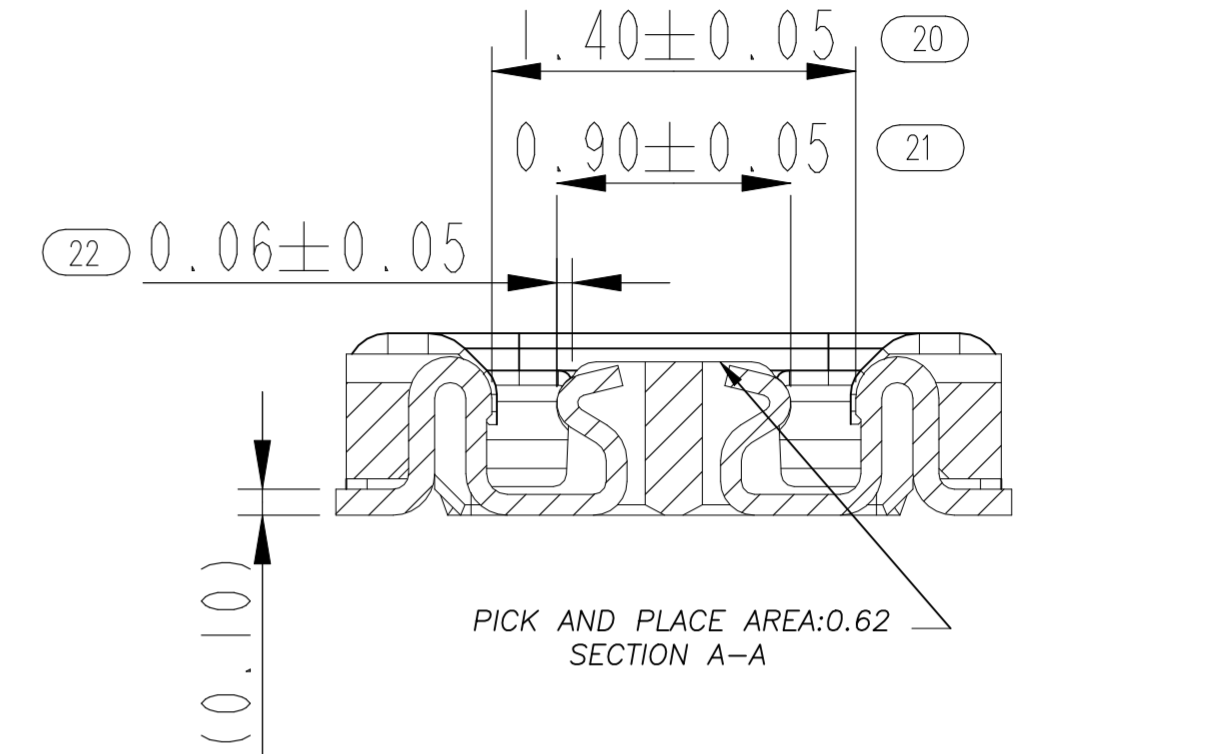
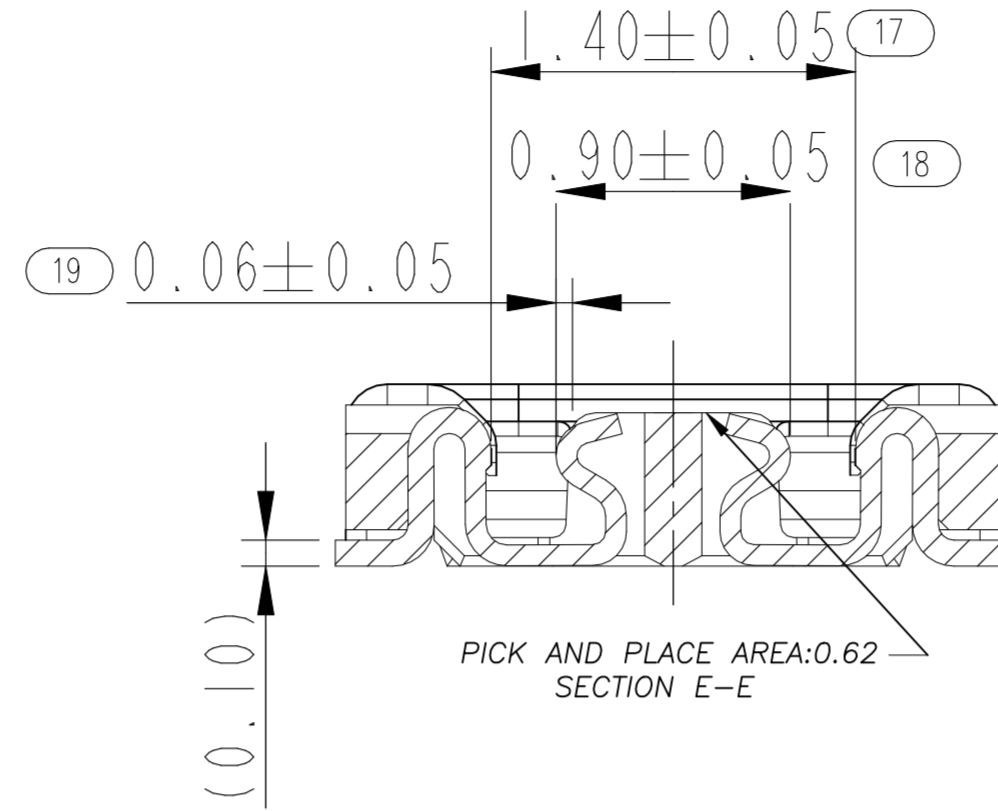
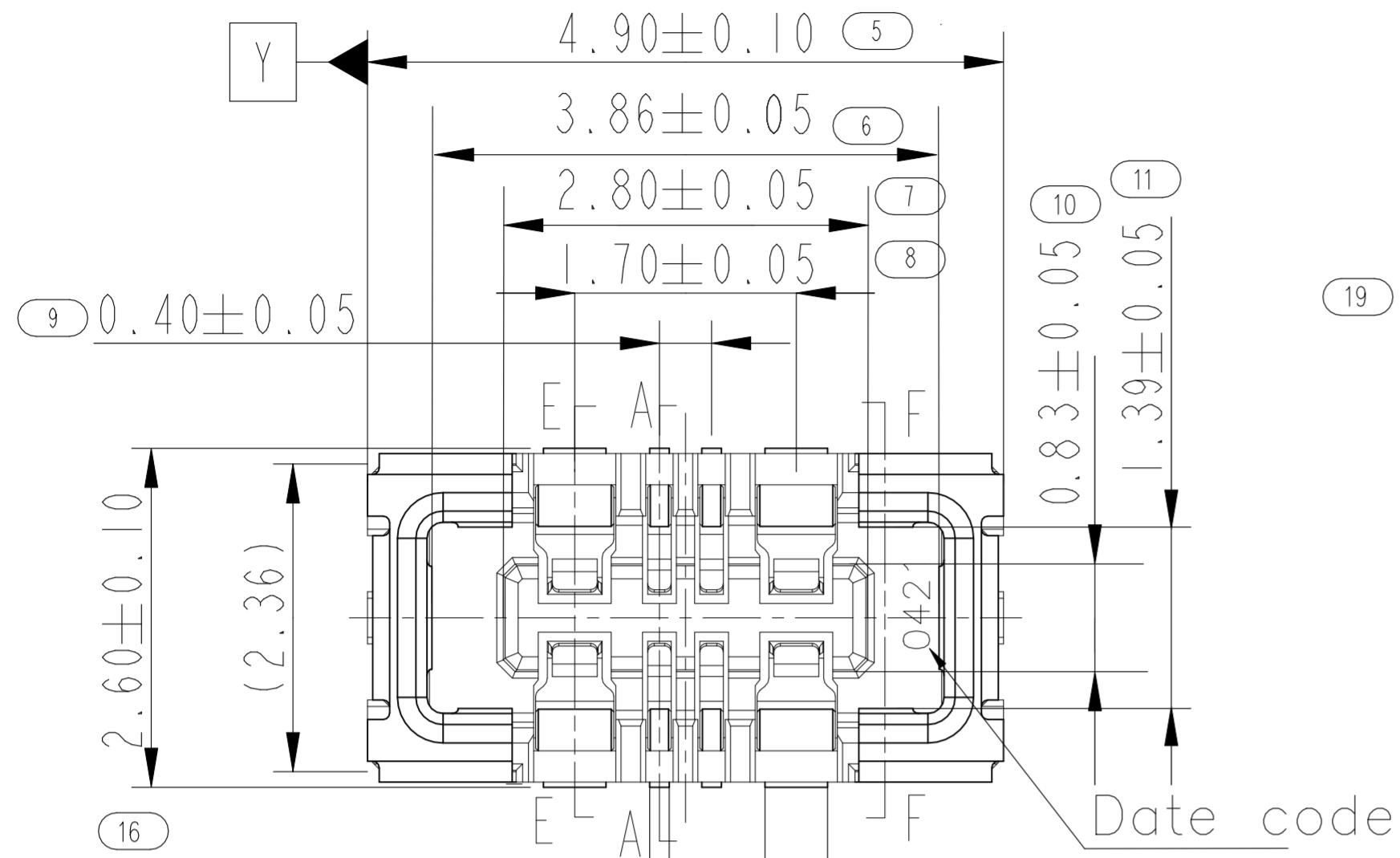


REVISIONS					
P	LTR	DESCRIPTION	DATE	DWN	APVD
A		FIRST RELEASED	13JUL2021	J.J	N.S

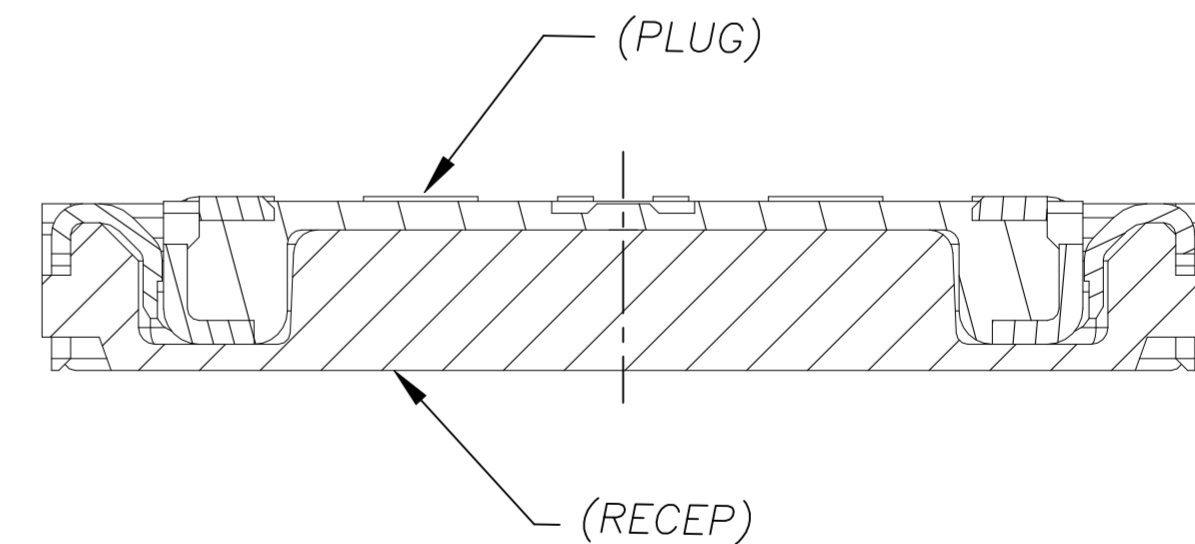
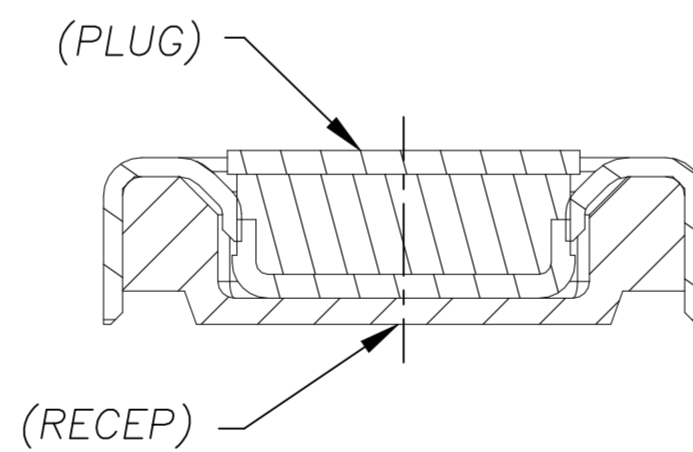
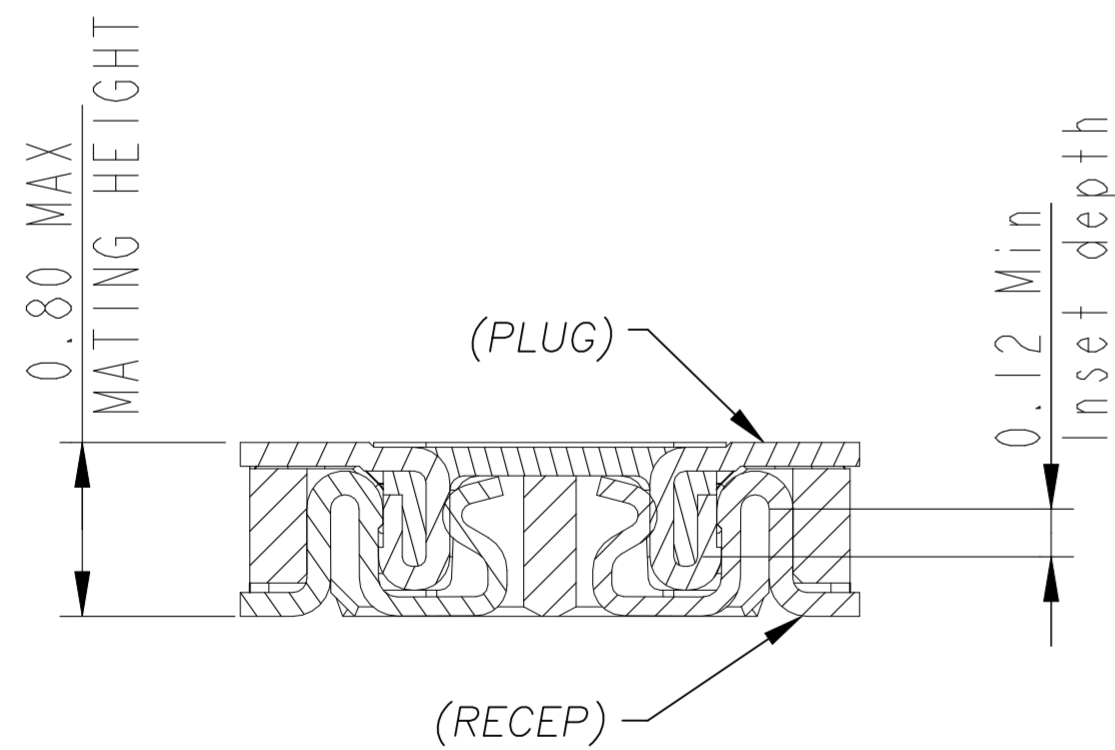
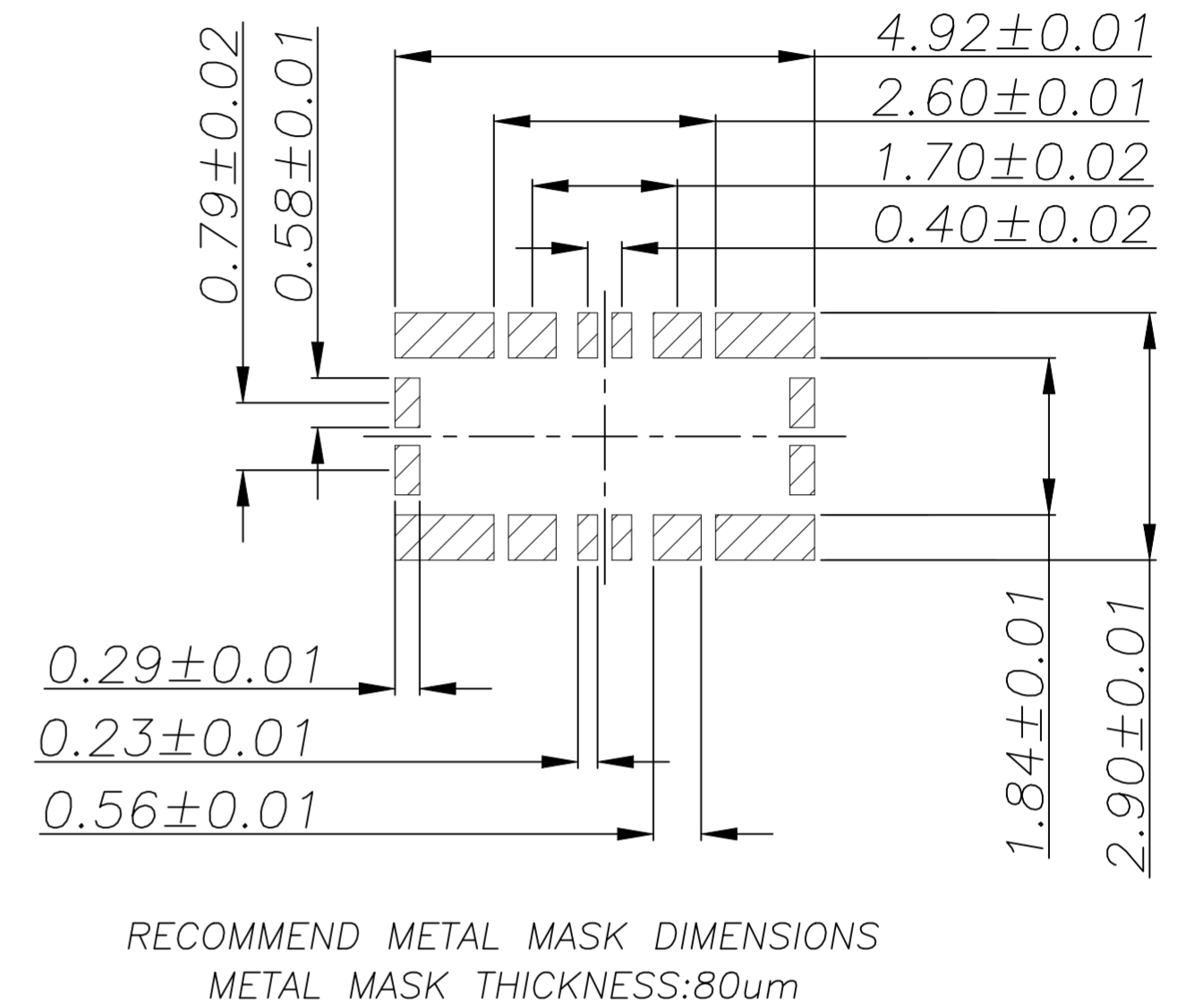
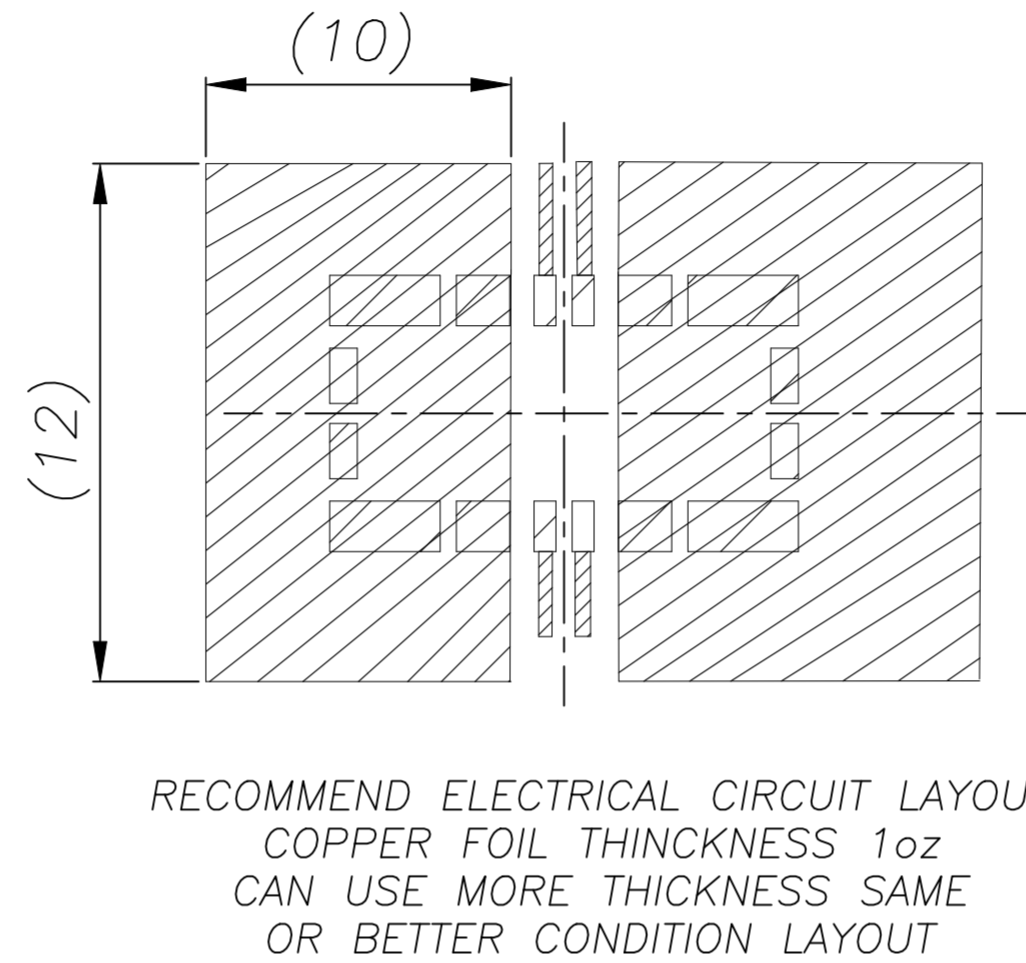
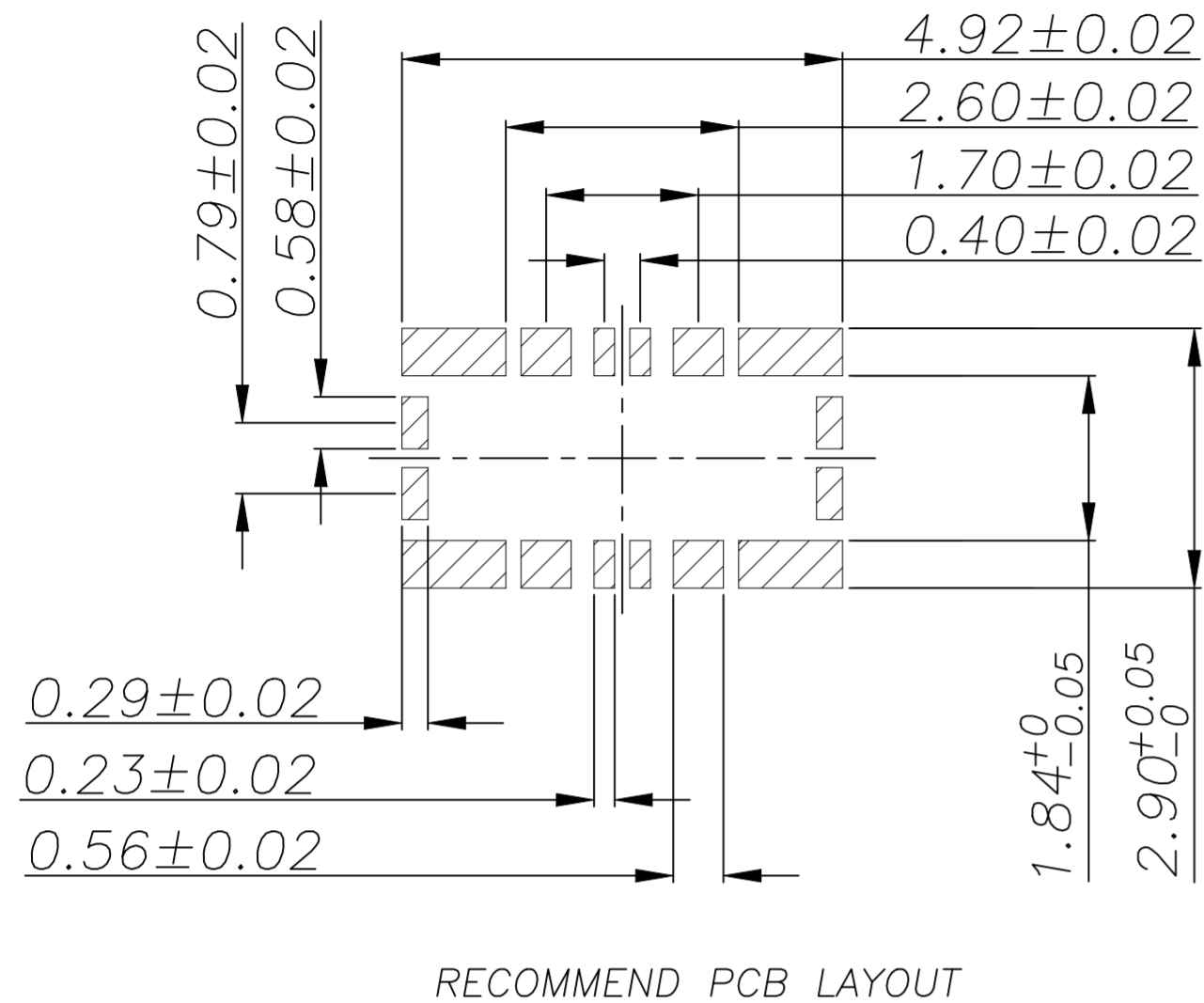


NOTE:  
 1.MATERIAL SPECIFICATION:  
 1-1.HOUSING :LCP, UL94V-0, BLACK.  
 1-2.CONTACTS: COPPER ALLOY.  
 1-3.SHELL: COPPER ALLOY.  
 2.PLATING SPECIFICATION:  
 2-1.CONTACTS:  
 Ni 80~150u". UNDER PLATED OVER ALL.  
 Au4u"MIN PLATED ON THE FUNCTIONAL AREA OF CONTACT.  
 Au3~8u" PLATED ON SOLDER AREA.  
 2-2.SHELL:  
 Ni 80~150u". UNDER PLATED OVER ALL.  
 Au3~8u" PLATED ON SOLDER AREA.

2386586-1

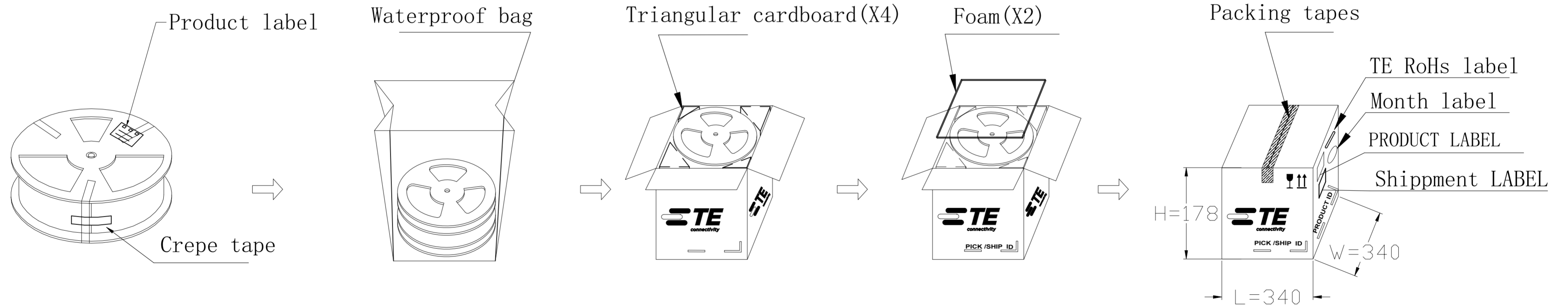
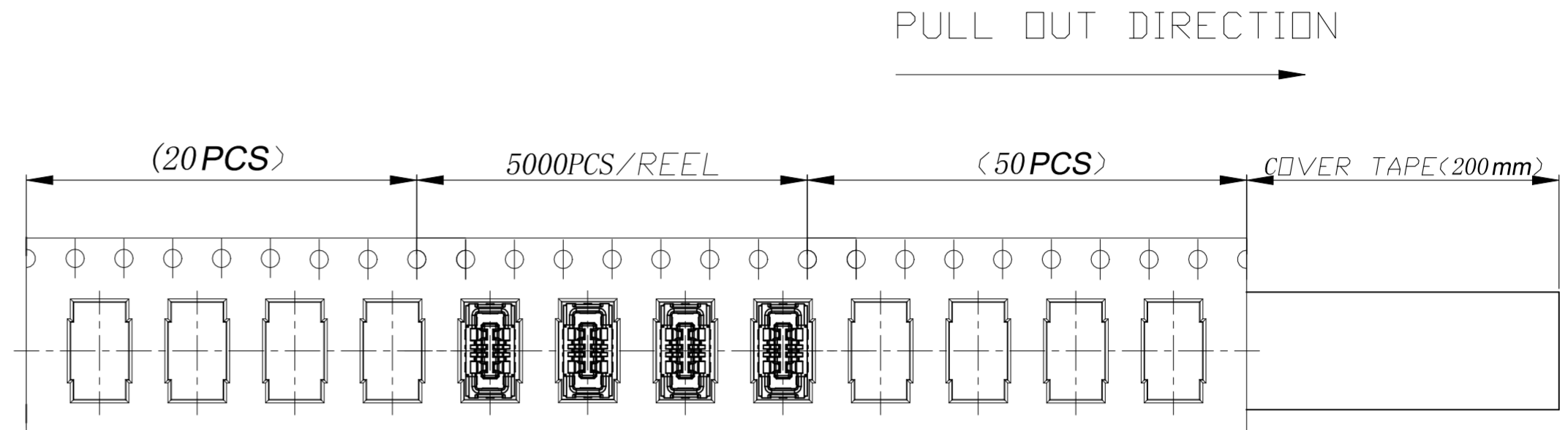
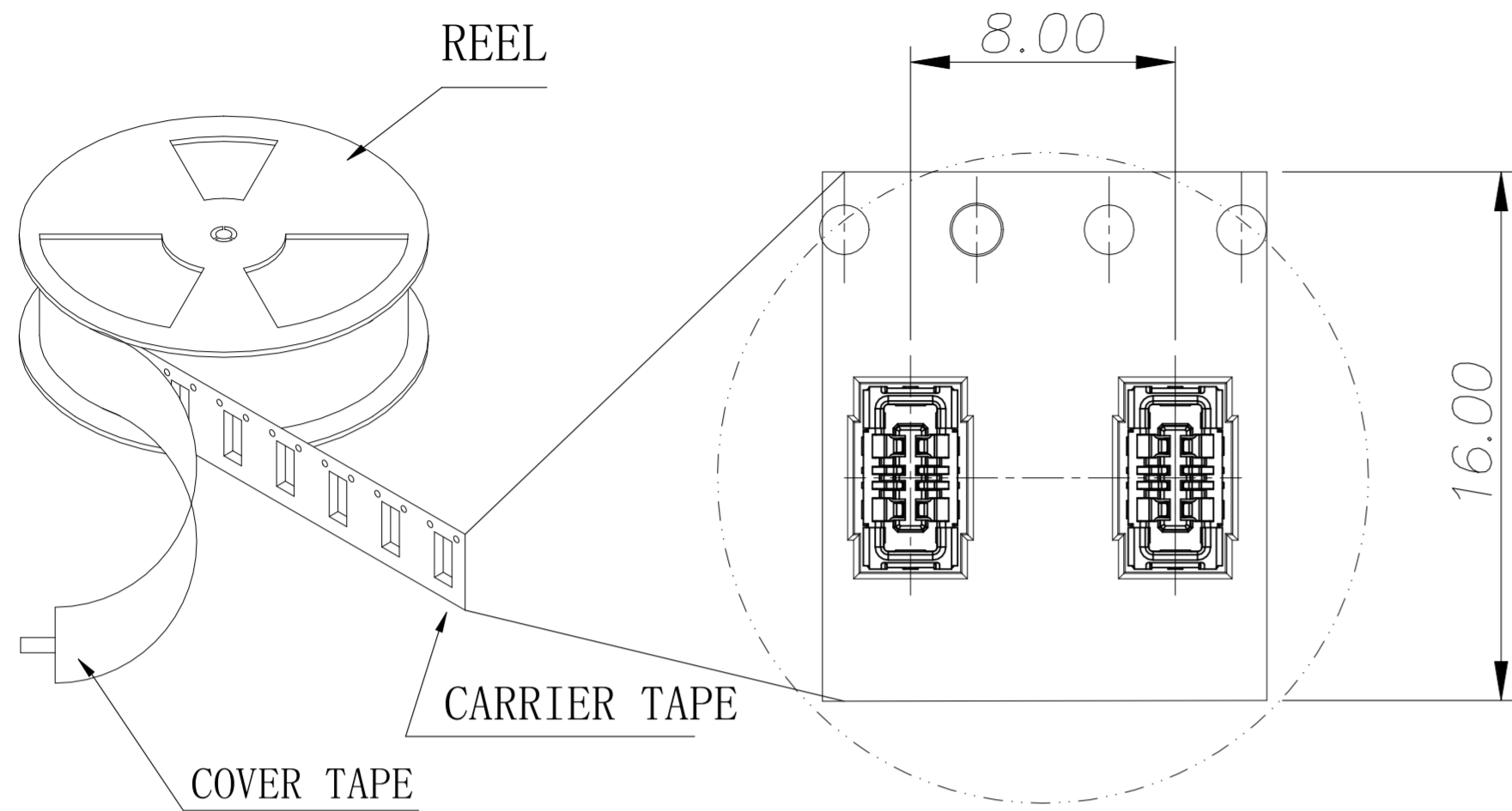
THIS DRAWING IS A CONTROLLED DOCUMENT.		DWN	Jone_Ji	05FEB2021	TE Connectivity Ltd.
DIMENSIONS: mm		CHK	Niki_S	05FEB2021	
TOLERANCES UNLESS OTHERWISE SPECIFIED:		APVD	Niki_S	05FEB2021	
0 PLC ± 0.4 1 PLC ± 0.25 2 PLC ± 0.15 3 PLC ± 0.1 4 PLC ± - ANGLES ± 3		PRODUCT SPEC	NAME		
MATERIAL		APPLICATION SPEC	FINE PITCH BTB 8 POS REC		RESTRICTED TO
FINISH		WEIGHT	A2 00779 C=2386586		SCALE 8:1 SHEET 1 OF 3 REV A
-		CUSTOMER DRAWING			

P	LTR	DESCRIPTION	DATE	DWN	APVD
-	-	SEE SHEET 1	-	-	-



THIS DRAWING IS A CONTROLLED DOCUMENT.		DWN	05FEB2021		<b>TE</b> TE Connectivity Ltd.
DIMENSIONS: mm		CHK	-		
TOLERANCES UNLESS OTHERWISE SPECIFIED:		APVD	-		NAME
0 PLC ± 0.4		PRODUCT SPEC	-		FINE PITCH BTB 8 POS REC
1 PLC ± 0.25		APPLICATION SPEC	-		SIZE
2 PLC ± 0.15		WEIGHT	-		A2
3 PLC ± 0.1		CUSTOMER DRAWING	CAGE CODE	00779	DRAWING NO
4 PLC ± -		SCALE	8:1		RESTRICTED TO
ANGLES ± 3		SHEET	2 of 3		REV
MATERIAL	FINISH	SCALE		8:1	A
-	-	SHEET		2 of 3	REV
C=2386586		SCALE		8:1	A

REVISIONS					
P	LTR	DESCRIPTION	DATE	DWN	APVD
-	-	SEE SHEET 1	-	-	-



5000	7	35000
PCS/REEL	REEL/BOX	PCS/BOX
(PACKING CAPACITY)		

THIS DRAWING IS A CONTROLLED DOCUMENT.		DWN	05FEB2021	
DIMENSIONS: mm		CHK	-	
TOLERANCES UNLESS OTHERWISE SPECIFIED:		APVD	-	
0 PLC ± 0.4		PRODUCT SPEC	-	
1 PLC ± 0.25		APPLICATION SPEC	-	
2 PLC ± 0.15		WEIGHT	-	
3 PLC ± 0.1		CUSTOMER DRAWING	-	
4 PLC ±		SCALE	8:1	
ANGLES ± 3		SHEET	3 of 3	
FINISH		REV	A	

<b>STE</b> TE Connectivity Ltd.	
NAME: FINE PITCH BTB 8 POS REC	
SIZE: A2	CAGE CODE: 00779
DRAWING NO: C=2386586	RESTRICTED TO: -