

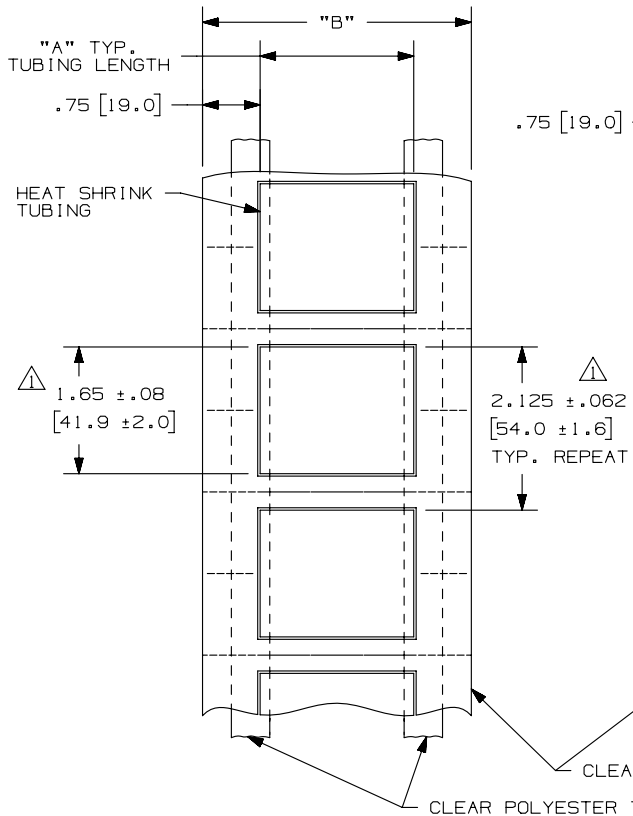
2

1

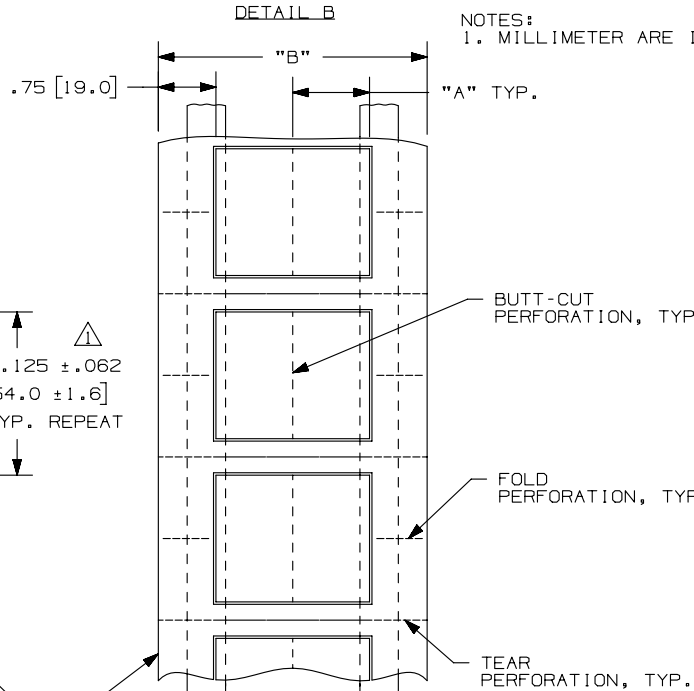
THIS COPY IS PROVIDED ON A RESTRICTED BASIS AND IS NOT TO BE USED IN ANY WAY DETRIMENTAL TO THE INTERESTS OF PANDUIT CORP.

PART NUMBER	SEE DETAIL	MATERIAL	"A" +/- .062	"B" +/- .062	INSIDE NOMINAL DIA.	MARKER ACROSS	TUBING COLOR	PKG. QTY.	SEE STYLE
H100X165H1T-2	B	GMUHS	1.00 [ 25.4 ]	3.50 [ 88.9 ]	1 in. [ 25.4 mm ]	2	WHITE	1000	A
H200X165H1T-2	A	GMUHS	2.00 [ 50.8 ]	3.50 [ 88.9 ]	1 in. [ 25.4 mm ]	1	WHITE	500	A
H100X165H2T-2	B	GMUHS	1.00 [ 25.4 ]	3.50 [ 88.9 ]	1 in. [ 25.4 mm ]	2	YELLOW	1000	A
H200X165H2T-2	A	GMUHS	2.00 [ 50.8 ]	3.50 [ 88.9 ]	1 in. [ 25.4 mm ]	1	YELLOW	500	A

DETAIL A

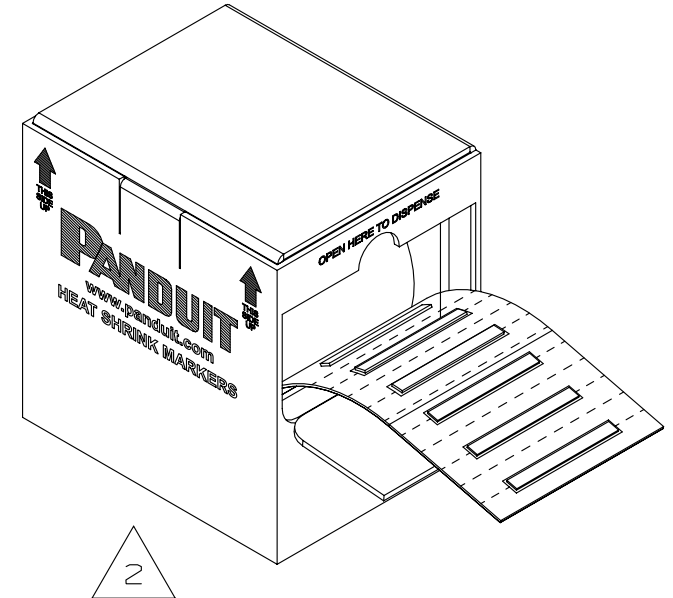


DETAIL B



NOTES:  
1. MILLIMETER ARE IN ( ).

STYLE A



2

REV	DATE	BY	CHK	APR	DESCRIPTION	ECN
2	1/22/14	RVU	SEWH	MSAD	UPDATE THE CURRENT PANDUIT LOGO.	GAECN01409
1	5/21/09	RVU		SCWE	"B", +/- .062 WAS +/- .030. 2.125 +/- .050.	5700
0	9/09/08	RVU		SCWE	DRAWING RELEASE.	5540

TITLE	
<b>H***X165H*T-2</b> <b>TWO-SIDED HEAT SHRINK LABEL</b> CUSTOMER DRAWING	
ITEM REVISION NAME	100472PK/05
DATASET FILE NAME	100472PK_DC_C10641/05C
UNLESS OTHERWISE SPECIFIED, DIMENSIONAL TOLERANCES ARE: IN [ mm ]	
.x ± .12 [ 3.05 ]	.xxx ± .020 [ 5.08 ]
.xx ± .062 [ 1.57 ]	ANGLES ±
THIRD ANGLE PROJECTION	
MATERIAL: <b>HEAT SHRINK TUBING,                      GMUHS31</b>	
DRAWING NUMBER: <b>C10641</b>	
DRAWN BY	DATE
RVU	9/09/08
CHK	SCALE
SCWE	NTS
SHT 1 OF 1	
SIZE A	

2

1

D10100DA/16