

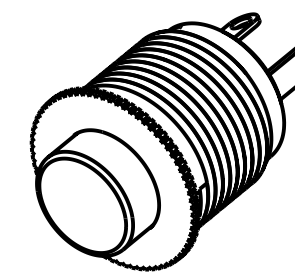
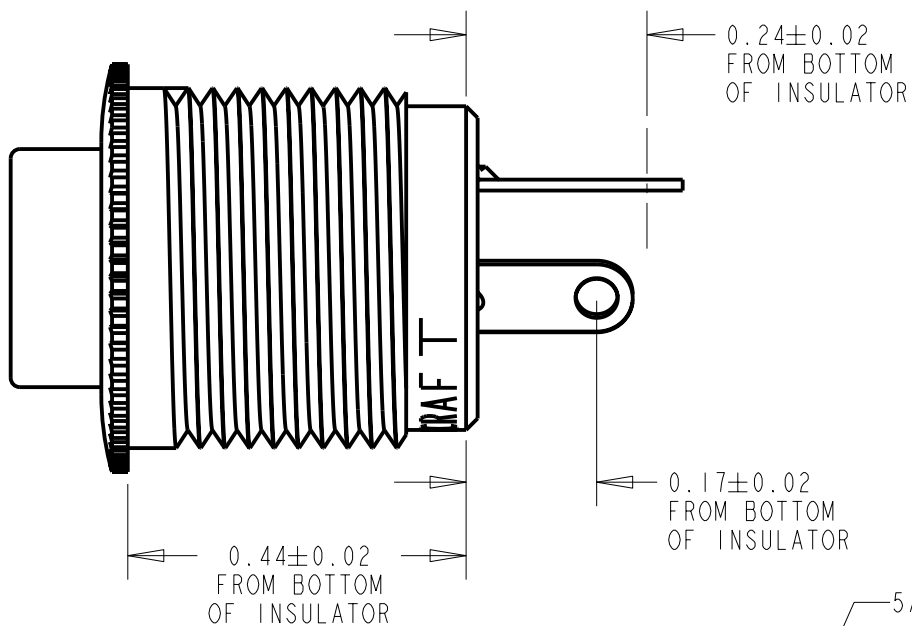
PART NUMBER	PART REV.	BUTTON COLOR	SCHEMATIC
903X	A	RED	I-C
903DX	A	RED	I-D
913X	A	BLACK	I-C
913DX	A	BLACK	I-D

**NOTES:**

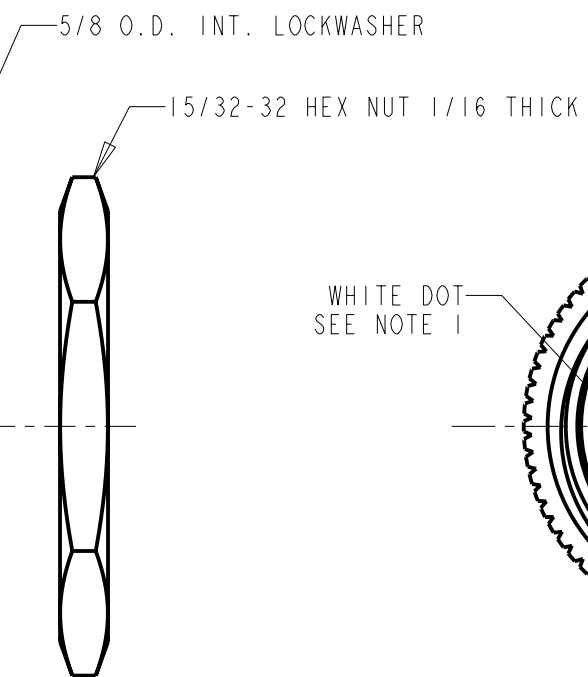
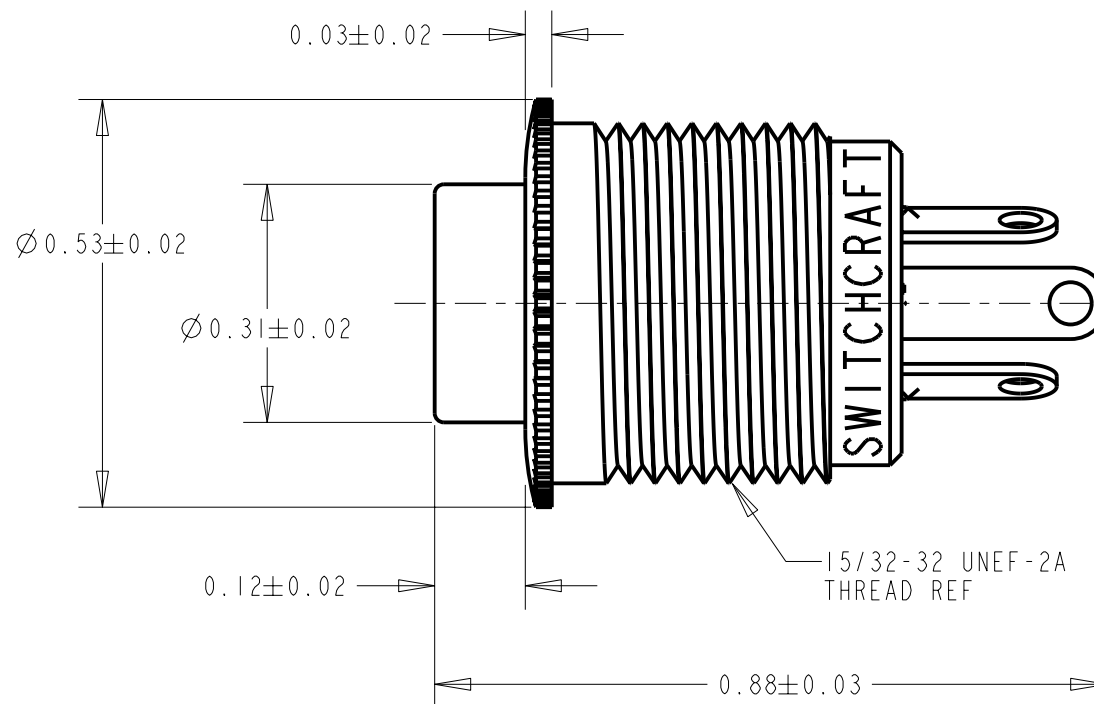
1. WHITE DOT DESIGNATES "I-D SCHEMATIC".
2. HEX NUT AND LOCKWASHER ARE SHIPPED UNASSEMBLED.
3. ALL DIMENSIONS ARE REFERENCE.
4. THESE PRODUCTS ARE RoHS COMPLIANT.

**SPECIFICATIONS:**

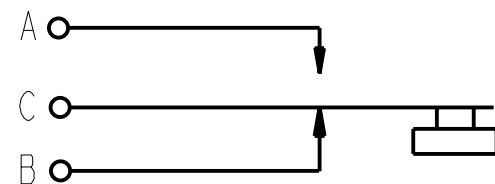
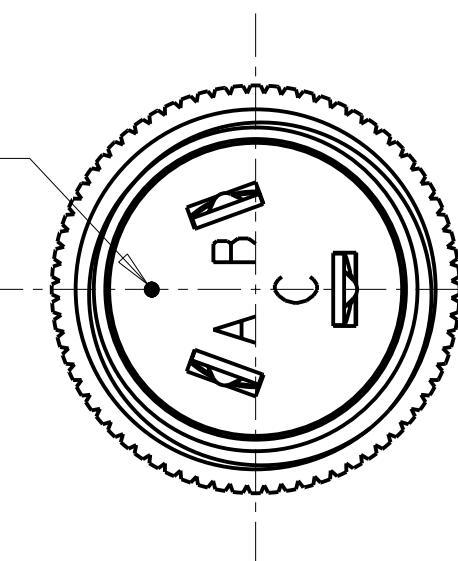
1. PUSHBUTTON - PLASTIC, SEE TABLE FOR COLOR
2. HOUSING - BRASS, NICKEL PLATED
3. TERMINALS - BRASS, SILVER PLATED
4. CONTACTORS - BRASS, SILVER PLATED
5. INSULATORS - PHENOLIC
6. SPRING - SILVER PLATED
7. HEX NUT - BRASS, NICKEL PLATED
8. WASHER - STEEL, NICKEL PLATED



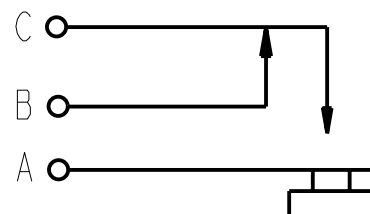
SCALE 2:1



WHITE DOT SEE NOTE 1



903X & 913X  
SCHEMATIC  
I-C



903DX & 913DX  
SCHEMATIC  
I-D

CUSTOMER DRAWING

REV	ECO NUMBER	DATE	BY	APVD
A	ECO #25286	1-18-07	TJK	TJK
REVISIONS				

★ STAR SYMBOL DENOTES CRITICAL DIMENSION

UNLESS OTHERWISE SPECIFIED

1. ALL DIMENSIONS IN INCHES  
- TWO PLACE DECIMALS ±0.01  
- THREE PLACE DECIMALS ±0.005  
- ANGLES ±1°  
- ALL DIA. CONCENTRIC WITHIN 0.005 T.I.R.
2. FEATURES ON THE SAME CENTERLINE MUST BE ALIGNED WITHIN ±0.002
3. REMOVE ALL BURRS

DO NOT SCALE DRAWING

THIS DRAWING DESCRIBES A DESIGN CONSIDERED PROPRIETARY IN NATURE, DEVELOPED AND MANUFACTURED BY SWITCHCRAFT INC. AND IS RELEASED ON A CONFIDENTIAL BASIS FOR IDENTIFICATION PURPOSES ONLY.												
SIZE		WIDTH		MULT		LBS/M		TEMPER				
FINISH						MATERIAL						
SPEC No.						SPEC No.						
FIRST USED ON				SCALE				<b>Switchcraft</b> <sup>®</sup>				
				4:1								
DATE DRAWN	BY	CHKD	APVD									
18-Jan-07	TJK	TJK	TJK									
		1-18-07	1-18-07									
NAME										PART No.		REV
BUTTON SWITCH, RoHS										903X & 913X 903DX & 913DX		A