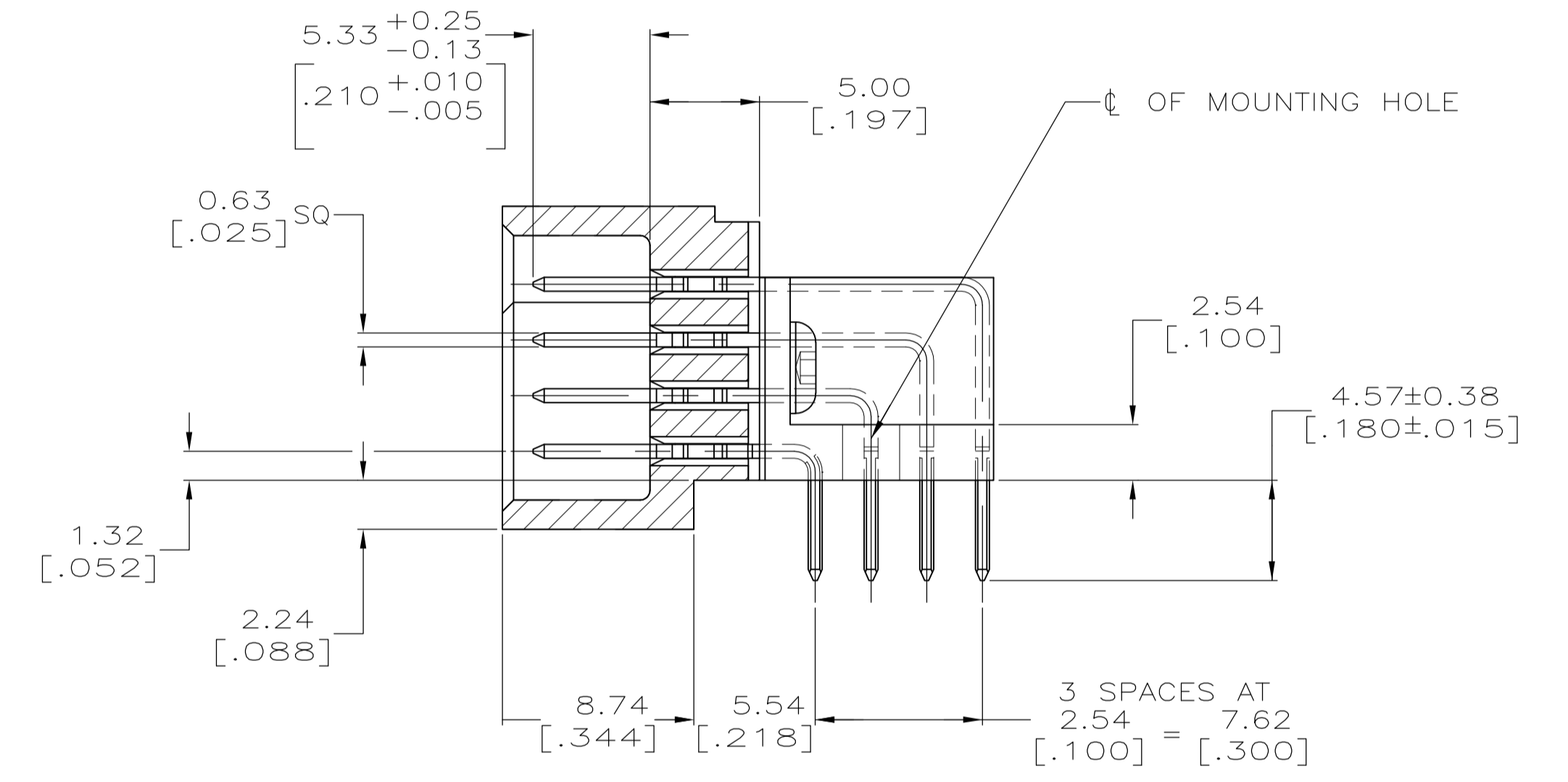
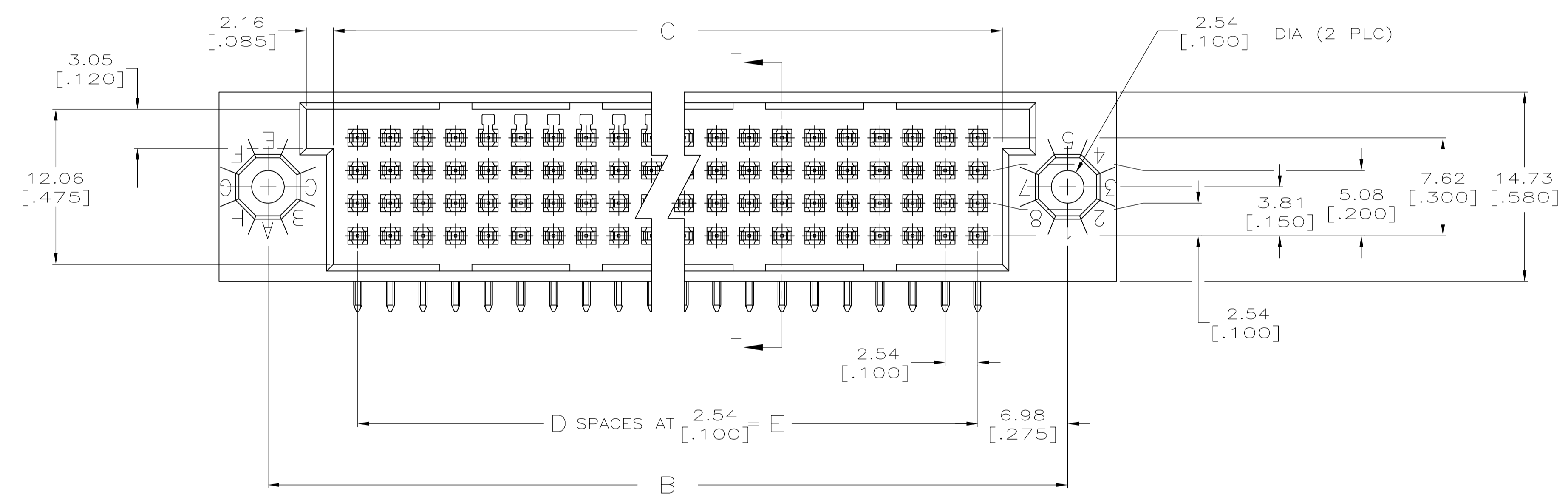
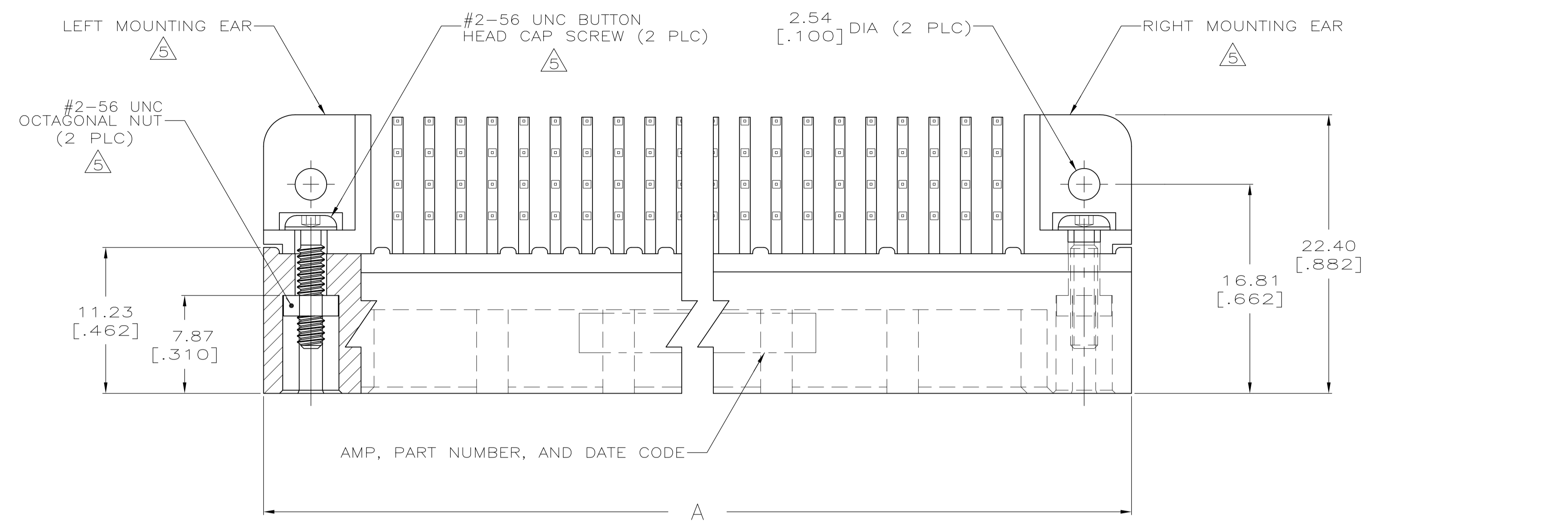
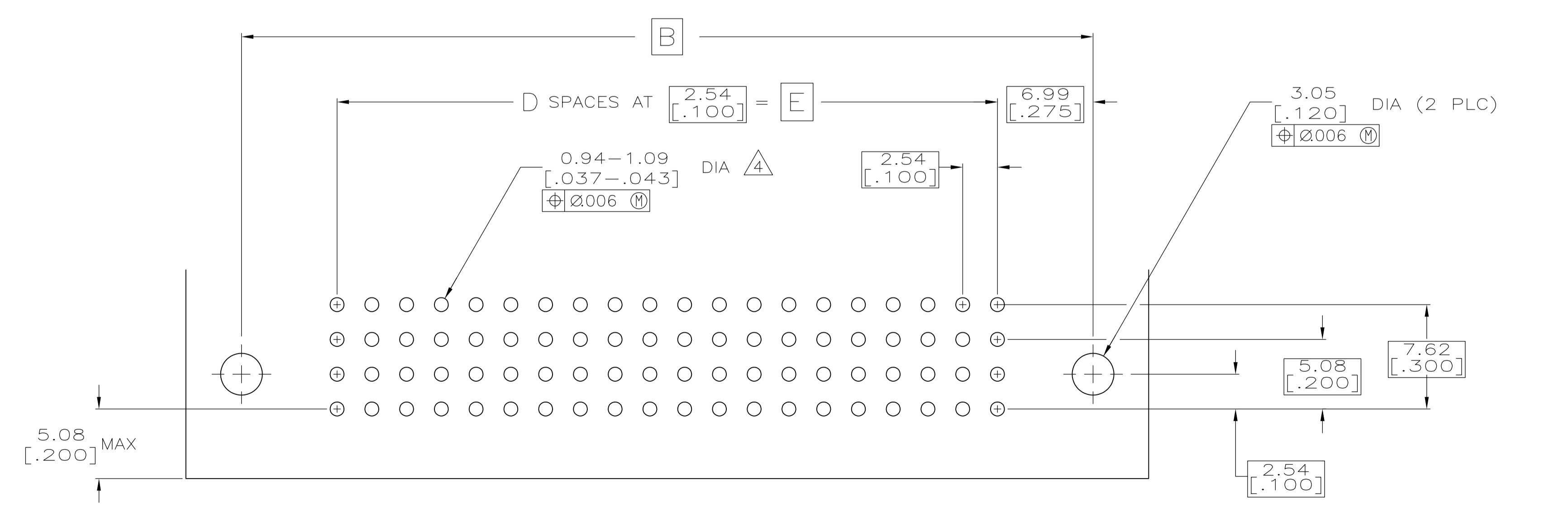


| REVISIONS | | | | | |
|-----------|-----|---------------------------|---------|-----|------|
| P | LTR | DESCRIPTION | DATE | OWN | APVD |
| U | | REVISED PER ECO-15-015252 | 13NOV15 | BJ | FY |



SECTION T-T



RECOMMENDED P.C. BOARD LAYOUT

| | | | |
|---|--------|----------------------------|--|
| THIS DRAWING IS A CONTROLLED DOCUMENT. | | DIN R.K. SEIFRIED 05/16/90 | TE Connectivity |
| DIMENSIONS: mm [INCHES] | | CHK J.D.WEARY 02/11/92 | |
| TOLERANCES UNLESS OTHERWISE SPECIFIED: | | APVD J.D.WEARY 02/11/92 | NAME |
| 0 PLC ± - 1 PLC ± - 2 PLC ± - 3 PLC ± 0.13 [.005] 4 PLC ± - ANGLES ± - | | APPLICATION SPEC | ASSY, HDI, 4 ROW, RIGHT ANGLE PIN 4.57 [.180] LONG SOLDER TAILS |
| MATERIAL | FINISH | SIZE | CAGE CODE |
| | | WEIGHT | DRAWING NO. |
| | | A1 | 00779 |
| | | C=533444 | RESTRICTED TO |
| | | CUSTOMER DRAWING | SCALE 4:1 SHEET 1 OF 2 REV U |

| REVISIONS | | | | |
|-----------|-----|-------------|------|------|
| P | LTR | DESCRIPTION | DATE | APPV |
| - | | SEE SHEET 1 | - | - |

- ① HOUSING MATERIAL: THERMOPLASTIC, COLOR--BLACK.
- ② CONTACT MATERIAL: PHOSPHOR BRONZE.
- ③ FINISH:
MATING AREA: MEETS THE PERFORMANCE REQUIREMENTS OF PRODUCT SPECIFICATION 108-9063; BASED ON TELCORDIA DR-1217-CORE APPLICATIONS IN UNCONTROLLED ENVIRONMENTS.
SOLDER TAILS AREA: TIN-LEAD PLATED.
- ④ RIGHT ANGLE PIN RECOMMENDED P.C. BOARD HOLE SIZES ARE 0.94-1.09 [.037-.043]; RECOMMENDED PAD DIA IS 1.52 [.060].
- ⑤ MOUNTING EARS AND HARDWARE PURCHASED SEPARATELY, KIT PART NUMBER 533050-1.
- 6. DIMENSIONS IN BRACKETS ARE IN INCHES.
- ⑦ HOUSINGS WITH CENTER MOUNTING IS RECOMMENDED FOR ASSEMBLIES HAVING 75 CONTACTS PER ROW OR MORE.
- ⑧ PART NUMBER IS OBSOLETE.
- ⑨ OBSOLETE PARTS: OBSOLETE CIS STREAMLINING PER D.RENAUD/D.SINISI

| | | | | | | | |
|---|-------------------|------|--------------------|--------------------|--------------------|-------------------|----------------------------|
| ⑧ | 160.02 [6.300] | -63- | 163.83 [6.450] | 173.99 [6.850] | 181.61 [7.150] | 256- | 2-533444-1 |
| ⑧ | 251.46 [9.900] | -99- | 255.27 [10.050] | 265.43 [10.450] | 273.05 [10.750] | 400- | 2-533444-0 |
| ⑧ | 167.64 [6.600] | -66- | 171.45 [6.750] | 181.61 [7.150] | 189.23 [7.450] | 268- | 1-533444-9 |
| ⑧ | 144.78 [5.700] | -57- | 148.59 [5.850] | 158.75 [6.250] | 166.37 [6.550] | 232- | 1-533444-8 |
| ⑧ | 134.62 [5.300] | -53- | 138.43 [5.450] | 148.59 [5.850] | 156.21 [6.150] | 216- | 1-533444-7 |
| ⑧ | 81.28 [3.200] | -32- | 85.09 [3.350] | 95.25 [3.750] | 102.87 [4.050] | 132- | 1-533444-6 |
| ⑧ | 66.04 [2.600] | -26- | 69.85 [2.750] | 80.01 [3.150] | 87.63 [3.450] | 108- | 1-533444-5 |
| ⑧ | 55.88 [2.200] | -22- | 59.69 [2.350] | 69.85 [2.750] | 77.47 [3.050] | 92- | 1-533444-4 |
| | - | - | - | - | - | - | 1-533444-3 |
| ⑨ | OBSOLETE | | 187.96 [7.400] | 191.77 [7.550] | 201.93 [7.950] | 209.55 [8.250] | 300- 1-533444-2 |
| ⑧ | 175.26 [6.900] | -69- | 179.07 [7.050] | 189.23 [7.450] | 196.85 [7.750] | 280- | 1-533444-1 |
| ⑧ | 162.56 [6.400] | -64- | 166.37 [6.550] | 176.53 [6.950] | 184.15 [7.250] | 260- | 1-533444-0 |
| | 149.86 [5.900] | 59 | 153.67 [6.050] | 163.83 [6.450] | 171.45 [6.750] | 240 | 533444-9 |
| ⑧ | 137.16 [5.400] | -54- | 140.97 [5.550] | 151.13 [5.950] | 158.75 [6.250] | 220- | 533444-8 |
| ⑧ | 124.46 [4.900] | -49- | 128.27 [5.050] | 138.43 [5.450] | 146.05 [5.750] | 200- | 533444-7 |
| ⑧ | 111.76 [4.400] | -44- | 115.57 [4.550] | 125.73 [4.950] | 133.35 [5.250] | 180- | 533444-6 |
| ⑧ | 99.06 [3.900] | -39- | 102.87 [4.050] | 113.03 [4.450] | 120.65 [4.750] | 160- | 533444-5 |
| ⑨ | OBSOLETE | | 86.36 [3.400] | 90.17 [3.550] | 100.33 [3.950] | 107.95 [4.250] | 140- 533444-4 |
| | 78.74 [3.100] | 31 | 82.55 [3.250] | 92.71 [3.650] | 100.33 [3.950] | 128 | 533444-3 |
| ⑧ | 73.66 [2.900] | -29- | 77.47 [3.050] | 87.63 [3.450] | 95.25 [3.750] | 120- | 533444-2 |
| ⑧ | 60.96 [2.400] | -24- | 64.77 [2.550] | 74.93 [2.950] | 82.55 [3.250] | 100- | 533444-1 |
| | E | D | C | B | A | POSN | PART NO. |

| | | | | | |
|---|--|--|--|--|--|
| THIS DRAWING IS A CONTROLLED DOCUMENT. | | DIN R.K. SEIFRIED 05/16/90 | | TE Connectivity | |
| DIMENSIONS: mm [INCHES] | | TOLERANCES UNLESS OTHERWISE SPECIFIED: | | | |
| 0 PLC ± - 1 PLC ± - 2 PLC ± - 3 PLC ± 0.13 [.005] 4 PLC ± - ANGLES ± - | | JOHN WEARY 02-11-92 JOHN WEARY 02-11-92 PRODUCT SPEC | | NAME ASSY,HDI, 4 ROW, RIGHT ANGLE PIN 4.57 [.180] LONG SOLDER TAILS | |
| MATERIAL | | FINISH | | APPLICATION SPEC SIZE CAGE CODE DRAWING NO. | |
| ① ② | | ③ | | WEIGHT A1 00779 533444 RESTRICTED TO | |
| CUSTOMER DRAWING | | | | SCALE 4:1 SHEET 2 OF 2 REV U | |