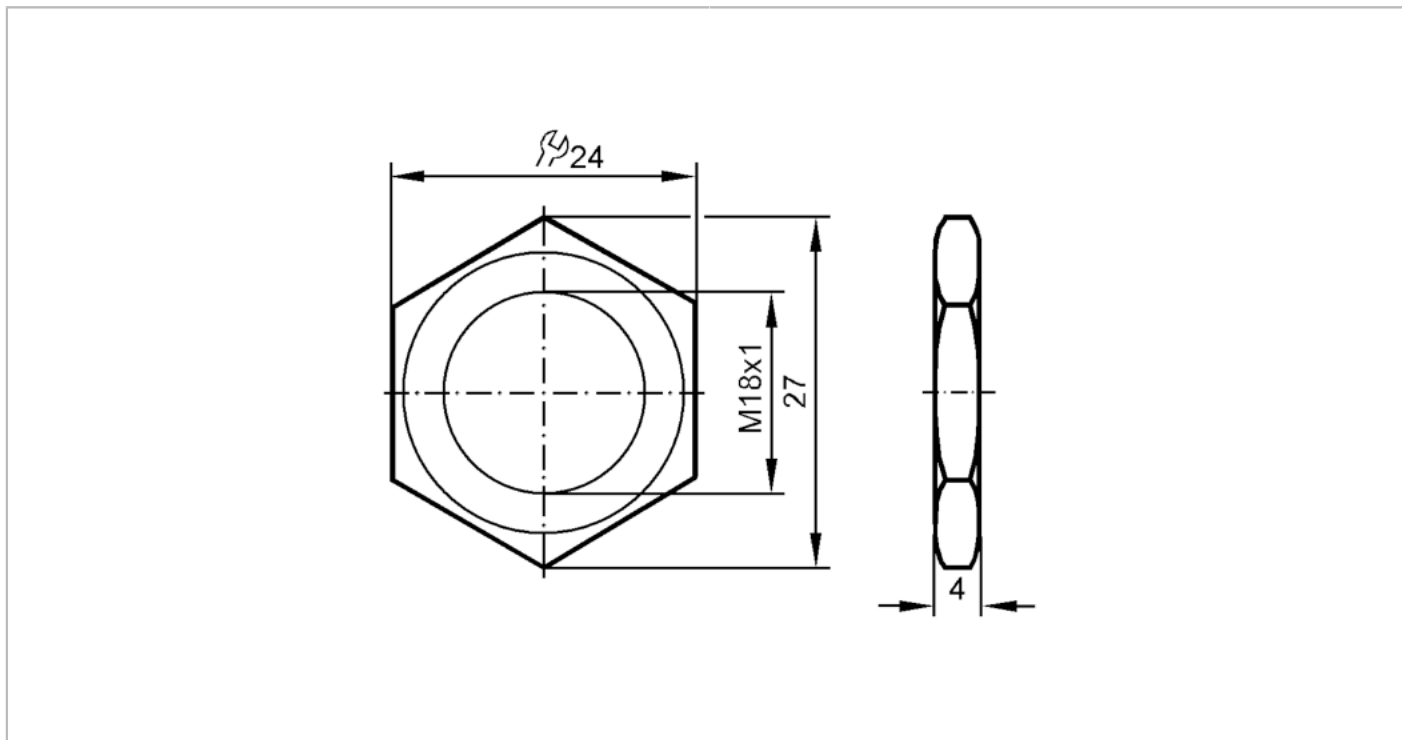


E10028



Hexagon nut

NUT M18X1 V4A 2 PIECES



Mechanical data

| | | |
|--------------------|------|--------------------------------|
| Weight | [g] | 16.9 |
| Dimensions | [mm] | M18 x 1 |
| Thread designation | | M18 x 1 |
| Materials | | stainless steel (1.4571/316Ti) |

Remarks

| | | |
|---------------|--|--------|
| Pack quantity | | 2 pcs. |
|---------------|--|--------|