

Customer Information Sheet

DRAWING No.: S4011-46

SHEET 2 OF 2

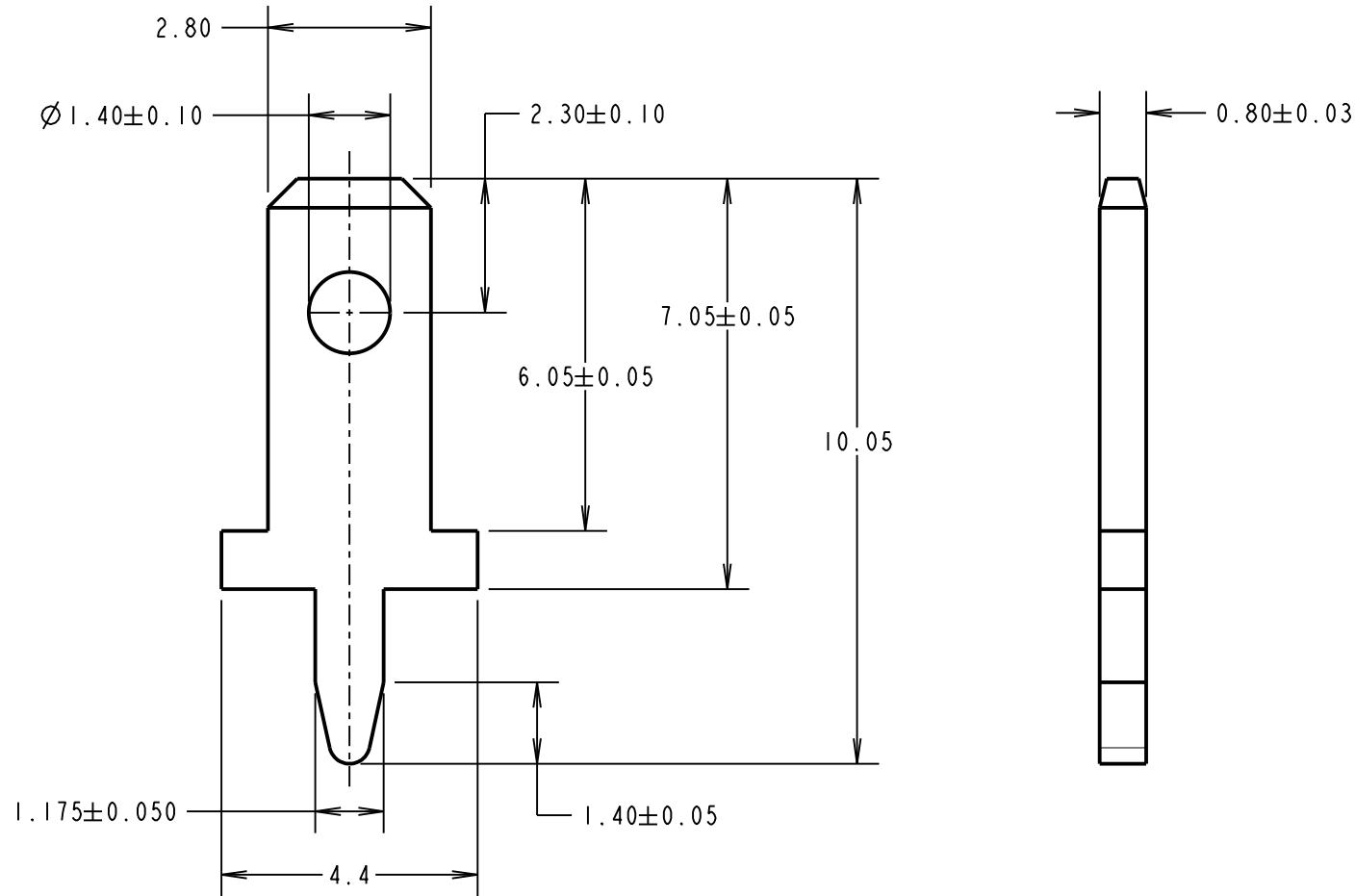
IF IN DOUBT - ASK

©

NOT TO SCALE

THIRD ANGLE PROJECTION

ALL DIMENSIONS IN mm



ORDER CODE:
S4011-46
FINISH: _____
46 = 4µm 100% TIN

NOTES:

1. RECOMMENDED MOUNTING HOLE SIZE = $\varnothing 1.25 \pm 0.06$ mm.
2. RECOMMENDED PCB THICKNESS = 1.60mm.

FM	14	19.03.18	21179
NAME	ISS.	DATE	C/NOTE
APPROVED: F. MCGOWAN			
CHECKED: M. PLESTED			
DRAWN: W. BOURNE			
CUSTOMER REF.:			
ASSEMBLY DRG:			

HARWIN

www.harwin.com
technical@harwin.com

THIS DRAWING AND ANY INFORMATION OR DESCRIPTIVE MATTER SET OUT HEREON ARE CONFIDENTIAL AND COPYRIGHT PROPERTY OF THE HARWIN GROUP AND MUST NOT BE DISCLOSED, LOANED, COPIED OR USED FOR MANUFACTURING, TENDERING OR FOR ANY OTHER PURPOSE WITHOUT THEIR WRITTEN PERMISSION.

TOLERANCES

X. = ±1mm
X.X = ±0.50mm
X.XX = ±0.10mm
X.XXX = ±0.01mm
ANGLES = ±5°
UNLESS STATED

MATERIAL:

BRASS CW508L TO BS EN 1652 (CuZn37)

FINISH: SEE ABOVE

S/AREA: mm²

TITLE:

2.8mm BLADE VERTICAL TAB TERMINAL (LOOSE)

DRAWING NUMBER:

S4011-46

SHT
2 OF 2