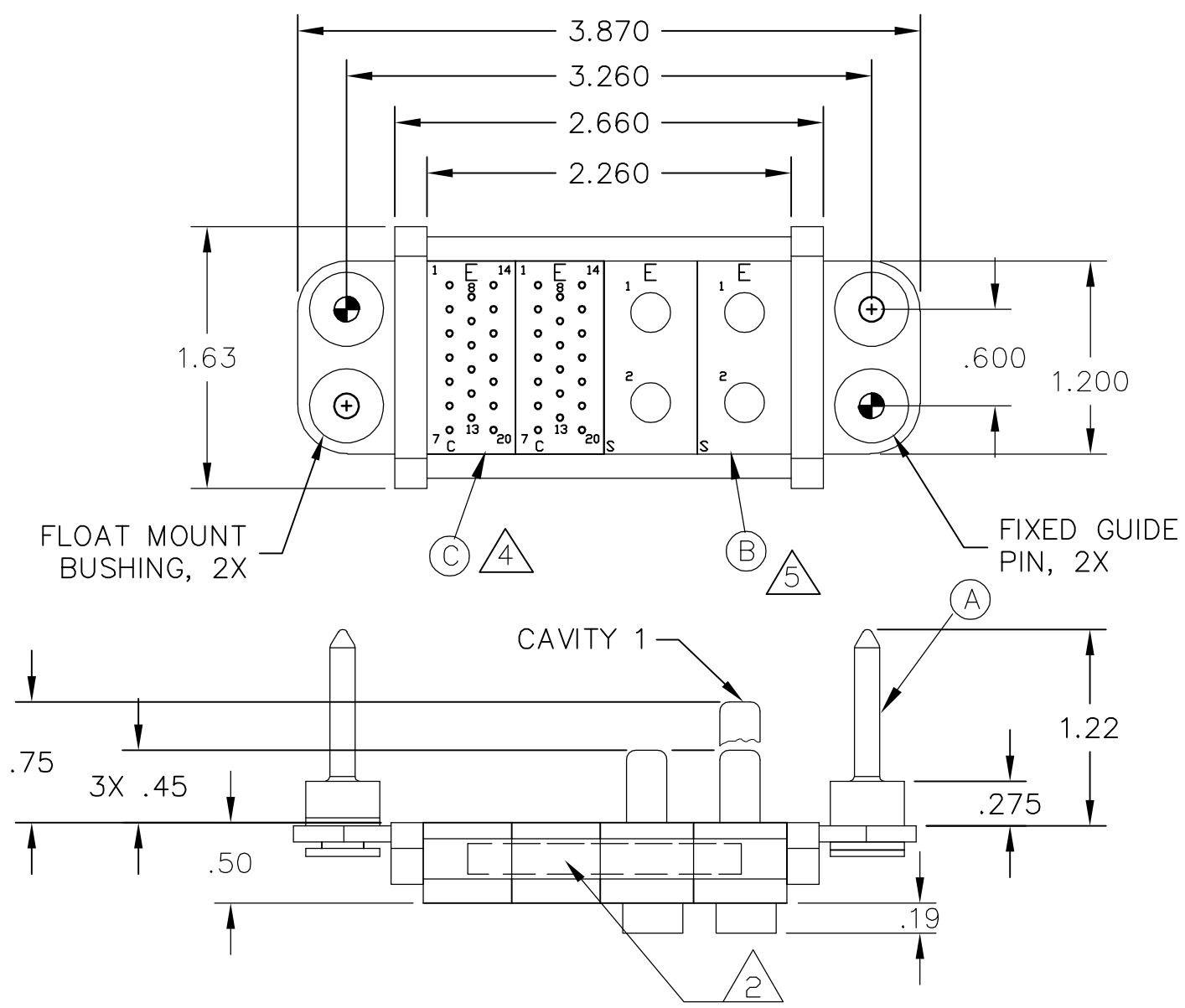


THIS DRAWING IS UNPUBLISHED. RELEASED FOR PUBLICATION
 © COPYRIGHT BY TYCO ELECTRONICS CORPORATION. ALL RIGHTS RESERVED.

LOC	DIST	REVISIONS					
GP	00	P	LTR	DESCRIPTION	DATE	DWN	APVD
			A	NEW RELEASE	13APR07	RG	DO



1. PART NUMBER CHANGES AND/OR DESIGN CHANGES AFFECTING ITEM INTERCHANGEABILITY REQUIRE PRIOR TYCO APPROVAL AND AUTHORIZATION BY REVISION TO THIS DRAWING.

2. ITEMS PROVIDED TO THIS SPECIFICATION TO BE PERMANENTLY IDENTIFIED PER THE FOLLOWING IDENTIFIER:

YEAR | WEEK
 TYCO PART NUMBER | DATE CODE (e.g. 0212)
 XXXXXXXX-X | XXXX

3. MOUNTING FLANGE BUSHINGS ACCEPT 6/32 SCREW (.156 DIA. CLEARANCE HOLE, FLOAT MOUNT) OR 8/32 SCREW (.173 DIA. CLEARANCE HOLE, FLOAT MOUNT), USER SUPPLIED.

4. PIN CONTACTS REQUIRED TO COMPLETE THE ASSEMBLY WILL BE PURCHASED SEPARATELY.

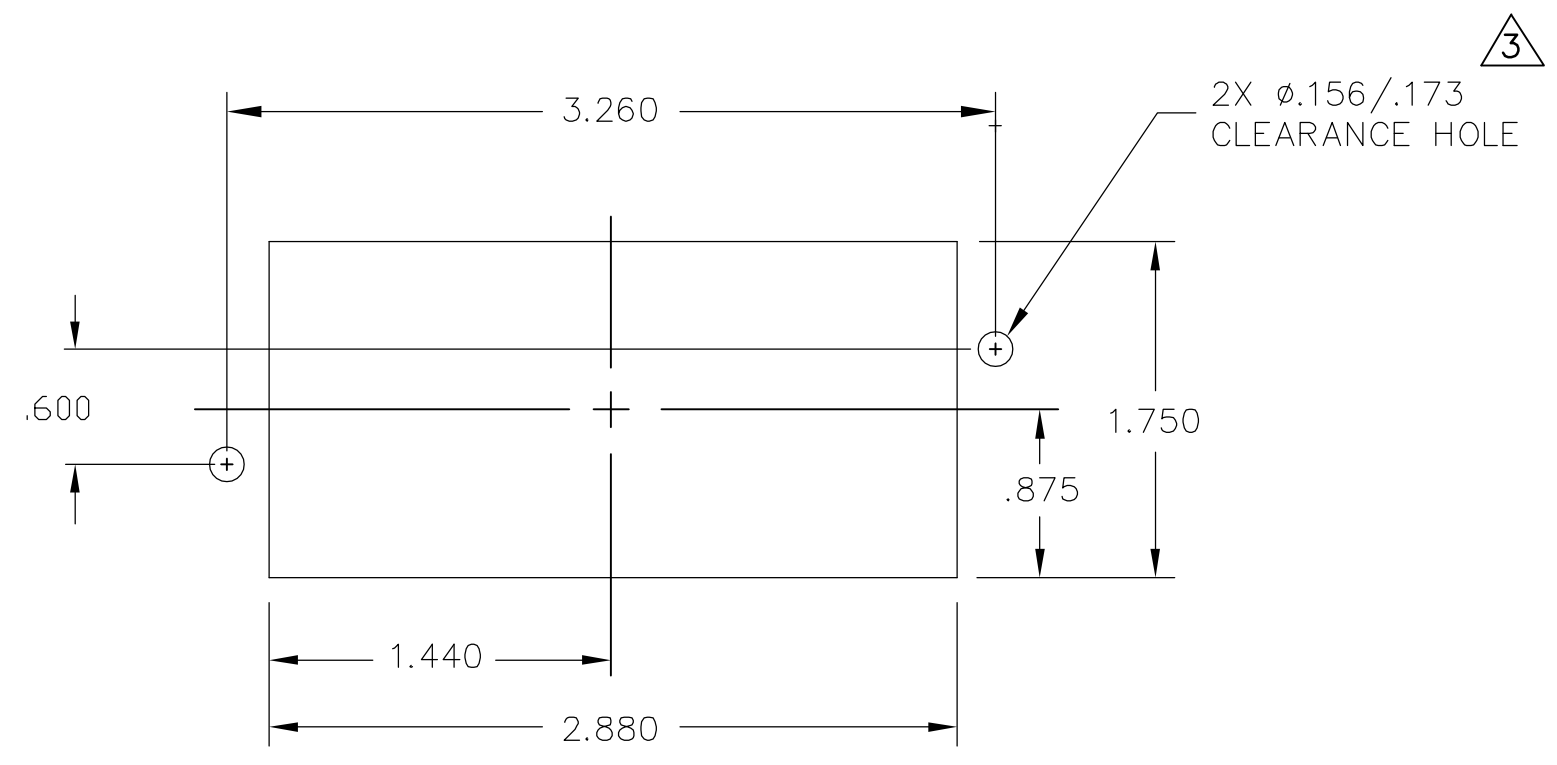
5. MODULES NOTED ARE CRIMP, REMOVABLE STYLE. REMOVABLE CONTACTS ITEMS D & E WILL BE PACKAGED AND SHIPPED LOOSE WITH THE CONNECTOR.

1	1766253-1	PIN CONTACT, PREMATE, CRIMP, #4 AWG	E
3	1766232-1	PIN CONTACT, STD., CRIMP, #4 AWG	D
2	1648463-1	MODULE C	C
2	1648514-1	MODULE S	B
2	6648251-1	END CAP, GUIDE PIN, FLOAT	A
-1	PART NUMBER	DESCRIPTION	ITEM

THIS DRAWING IS A CONTROLLED DOCUMENT.		DWN R.GRZYBOWSKI 13APR2007	Tyco Electronics Corporation Harrisburg, PA 17105-3608	
DIMENSIONS: INCHES		CHK D.ORRIS 13APR07	NAME S.FLICKINGER 13APR07	
TOLERANCES UNLESS OTHERWISE SPECIFIED:		PRODUCT SPEC -		
MATERIAL		APPLICATION SPEC -		
FINISH		WEIGHT -		
0 PLC ± -		SIZE A3		
1 PLC ± -		CAGE CODE 00779		
2 PLC ± .02		DRAWING NO C-6646113		
3 PLC ± .010		RESTRICTED TO -		
4 PLC ± -		SCALE 1:1		
ANGLES ± -		SHEET 1 OF 2		
-		REV A		
CUSTOMER DRAWING				

THIS DRAWING IS UNPUBLISHED. RELEASED FOR PUBLICATION
 © COPYRIGHT BY TYCO ELECTRONICS CORPORATION. ALL RIGHTS RESERVED.

LOC		DIST		REVISIONS			
GP	00	P	LTR	DESCRIPTION	DATE	DWN	APVD
		-		SEE SHEET 1	-	-	-



PIN PANEL MOUNT CUTOUT
 SCALE: NONE

THIS DRAWING IS A CONTROLLED DOCUMENT.		DWN R.GRZYBOWSKI 13APR2007	Tyco Electronics Corporation Harrisburg, PA 17105-3608	
DIMENSIONS: INCHES		CHK D.ORRIS 13APR07	NAME	
		APVD S.FLICKINGER 13APR07	PIN CONNECTOR DOMINO W/ PANEL CUT-OUT	
TOLERANCES UNLESS OTHERWISE SPECIFIED:		PRODUCT SPEC	SIZE	CAGE CODE
0 PLC	± -	APPLICATION SPEC	A3	00779
1 PLC	± -	WEIGHT	DRAWING NO	
2 PLC	± .02		C-6646113	
3 PLC	± .010		RESTRICTED TO	
4 PLC	± -			
ANGLES	± -			
MATERIAL	FINISH		SCALE	SHEET
-	-		1:1	2 OF 2
CUSTOMER DRAWING			REV	A