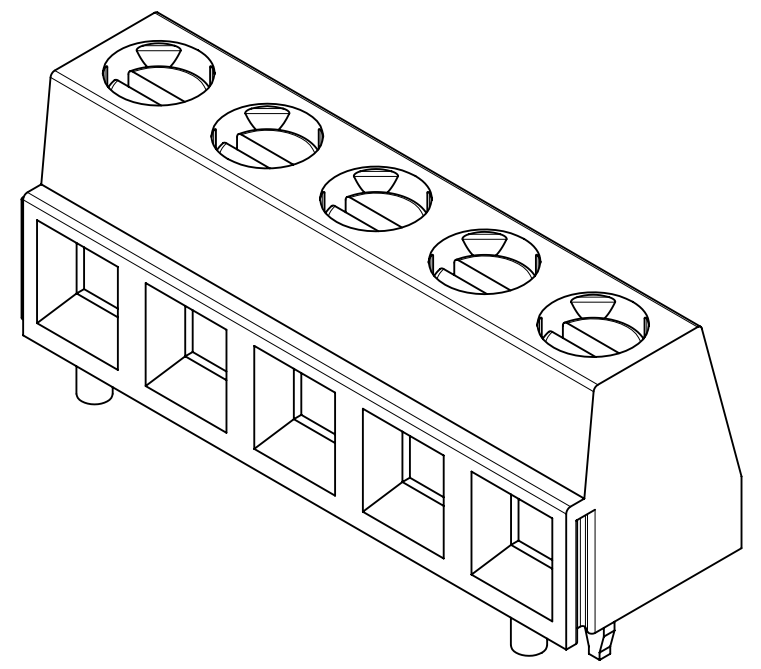
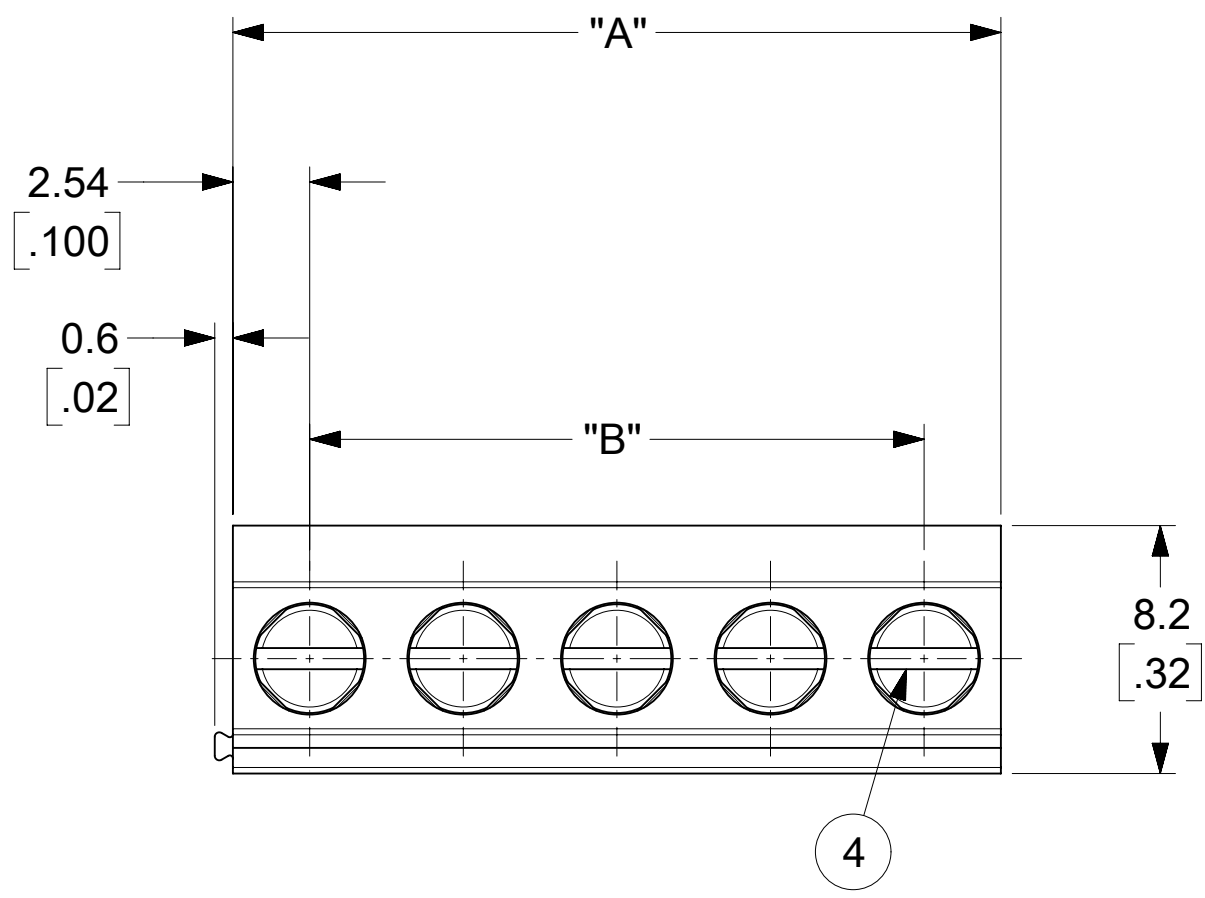
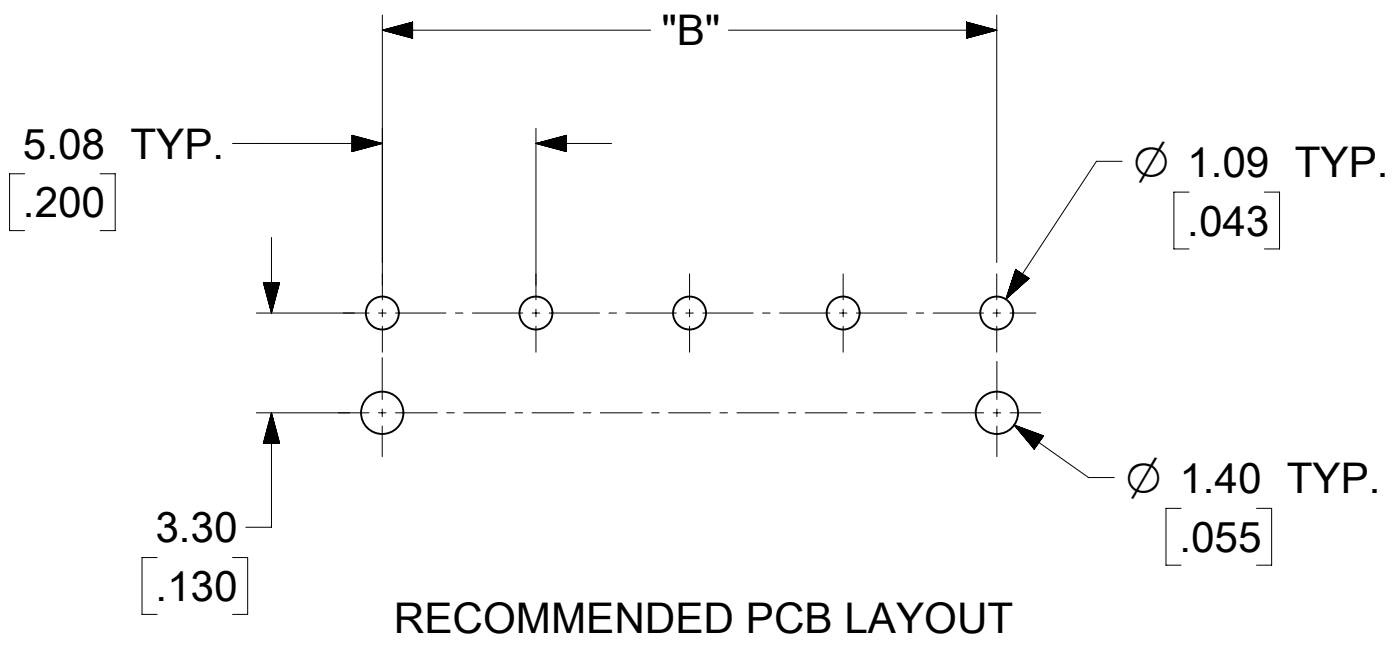
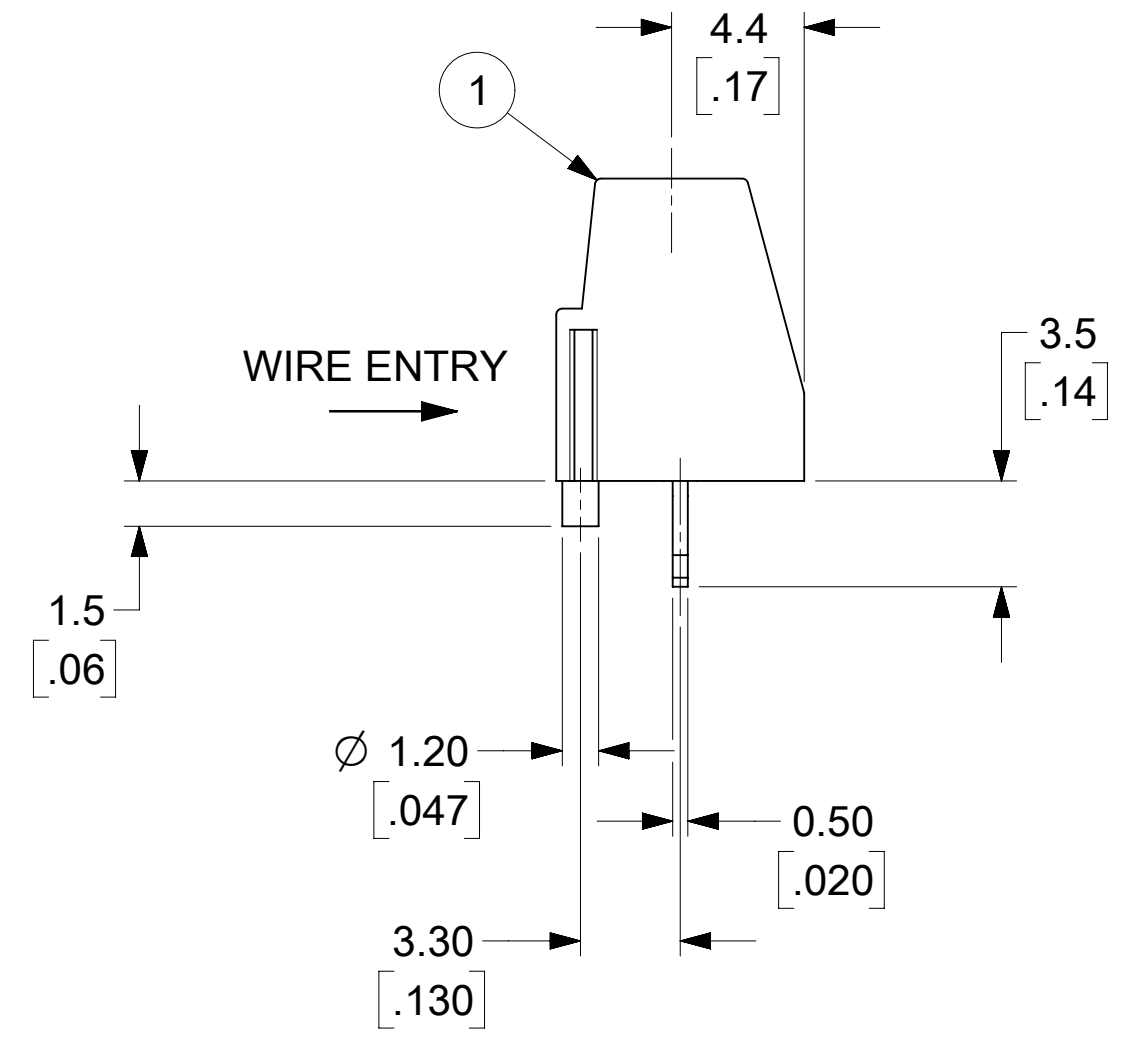
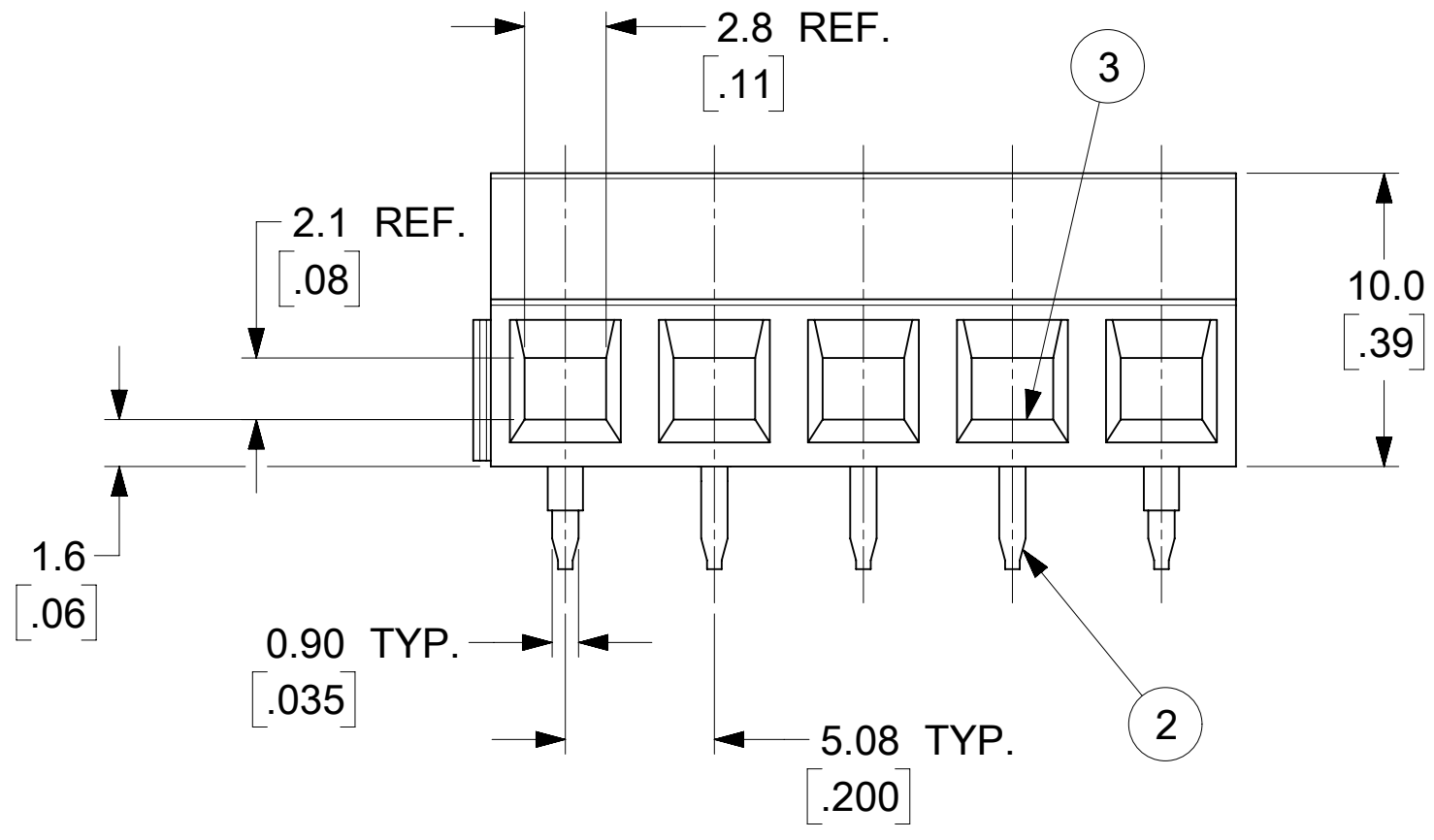


NO. OF CIRC. "XX"	DIM. "A"		DIM. "B"		MATERIAL NUMBER
	mm	IN	mm	IN	
02	10.2	.40	5.08	.200	398890042
03	15.2	.60	10.16	.400	
04	20.3	.80	15.24	.600	
05	25.4	1.00	20.32	.800	398890043
06	30.5	1.20	25.40	1.000	398890044



AUX. VIEWS
(5 CIRCUIT SHOWN)

- NOTES:
1. MATERIAL: SEE TABLE
 2. FINISHES: SEE TABLE
 3. "XX" REFERS TO QUANTITY OF CIRCUITS.
 4. WIRE RANGE: 16-30 AWG (A1)
 5. RATED VOLTAGE: 300V PER UL (A1)
 6. RATED CURRENT: 13.5A PER UL (A1)
 7. RECOMMENDED TIGHTENING TORQUE: 6.0 LB. IN. (A1)
 8. WIRE STRIP LENGTH: 6mm(.24in)
 9. OPERATING TEMPERATURE: -40°C TO +105°C
 10. POLARIZING PEGS ARE ONLY ON END CIRCUITS.



ITEM	QTY.	DESCRIPTION	MATERIAL	FINISH
4	XX	SCREW, M3	COPPER ALLOY	NICKEL PLATED
3	XX	CLAMP, RISING	COPPER ALLOY	NICKEL PLATED
2	XX	TERMINAL	COPPER ALLOY	TIN PLATED
1	1	HOUSING, UL94 V-0	PA66	BLACK

FUNCTIONAL SYMBOLS		THIS DRAWING CONTAINS INFORMATION THAT IS PROPRIETARY TO MOLEX ELECTRONIC TECHNOLOGIES, LLC AND SHOULD NOT BE USED WITHOUT WRITTEN PERMISSION		CURRENT REV DESC: MODIFIED NOTES #4 TO #7	
$F_A = 0$	DIMENSION UNITS	SCALE	GENERAL TOLERANCES (UNLESS SPECIFIED)		
$F_C = 0$	MM/INCH	4:1	4 PLACES ± --- ± ---		
$F_P = 0$	DIVISIONAL SYMBOLS		3 PLACES ± --- ± .005		
			2 PLACES ± 0.13 ± .01		
			1 PLACE ± 0.25 ± ---		
			0 PLACES ± --- ± ---		
			ANGULAR TOL ± 2°		
			DRAFT WHERE APPLICABLE MUST REMAIN WITHIN DIMENSIONS		
		THIRD ANGLE PROJECTION	DRAWING	SERIES	DOCUMENT NUMBER
			C-SIZE	39889	SD-39889-003
					CUSTOMER
					GENERAL MARKET
					SHEET NUMBER
					1 OF 1



5.08MM [.200] FIXED, EUROSTYLE, W/POLARIZING PEGS

PRODUCT CUSTOMER DRAWING

DOCUMENT NUMBER SD-39889-003 DOC TYPE PSD DOC PART 001 REVISION A1

MATERIAL NUMBER SEE CHART CUSTOMER GENERAL MARKET SHEET NUMBER 1 OF 1