



SMT

KEY LOCATIONS



NOTES:

1. MATERIAL:
CONNECTOR:
HOUSING - HIGH TEMPERATURE THERMOPLASTIC GLASS FILLED, UL 94V-0, BLACK
TERMINALS - COPPER ALLOY
SHELL
NICKEL SILVER, C770, THICKNESS: 0.250/0.254
2. FINISH:
CONNECTOR
OPTION 1
CONTACT AREA - 0.38µm MIN GOLD OVER 2.54 µm NICKEL
SOLDER FOOT AREA - 2.54-5.09µm TIN OVER 1.27 µm NICKEL
OPTION 2
CONTACT AREA - 0.76µm MIN GOLD OVER 2.54 µm NICKEL
SOLDER FOOT AREA - 2.54-5.09µm TIN OVER 1.27 µm NICKEL
3. TERMINAL SOLDER FEET TO BE COPLANAR WITHIN 0.10 MEASURED FROM DATUM E
4. DATE CODE: 4 DIGIT (3 DIGIT DAY, 1 DIGIT YEAR) ON CONNECTOR ONLY
5. CIRCUIT IDENTIFIER: SEE APPROPRIATE INDUSTRY SPECIFICATION FOR LOCATION OF PIN 1
6. TO BE USED WITH THE FOLLOWING CABLE SERIES:
79575/74563/79576/74573/79536/74562/74569/74586
7. PACKAGED PER PACKAGING SPECIFICATION: PK-75783-001
8. CONFORMS TO PRODUCT SPECIFICATION: PS-75783-001
9. PROCESS PER APPLICATION SPECIFICATION: AS-75783-001
10. THIS PART CONFORMS TO CLASS C REQUIREMENTS OF COSMETIC SPEC PS-45499-002



36 CIRCUIT
RETENTION FIT
SHELL OPTION SHOWN



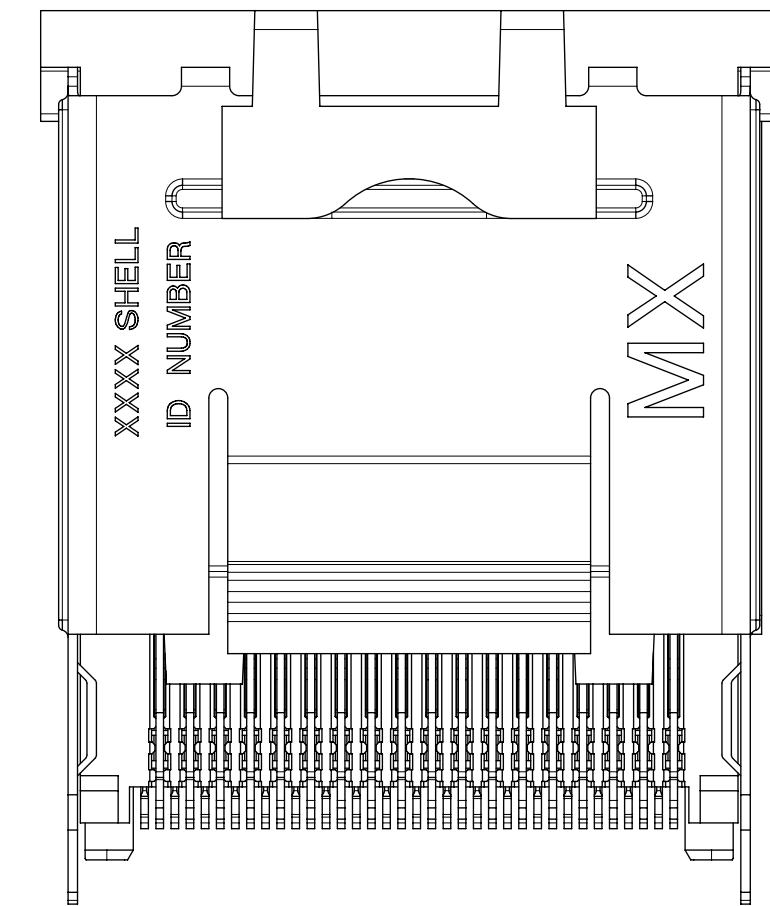
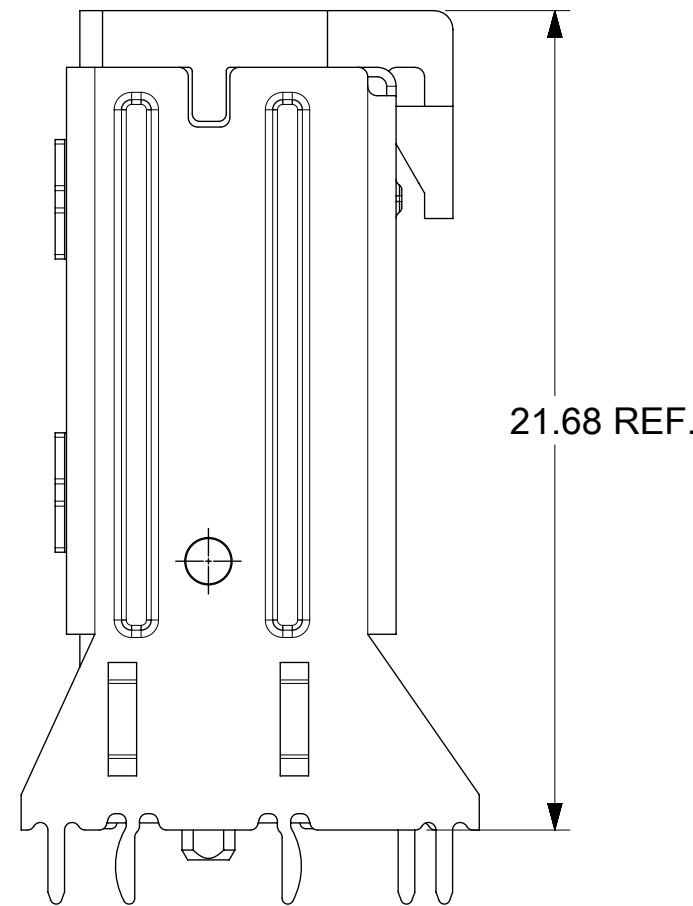
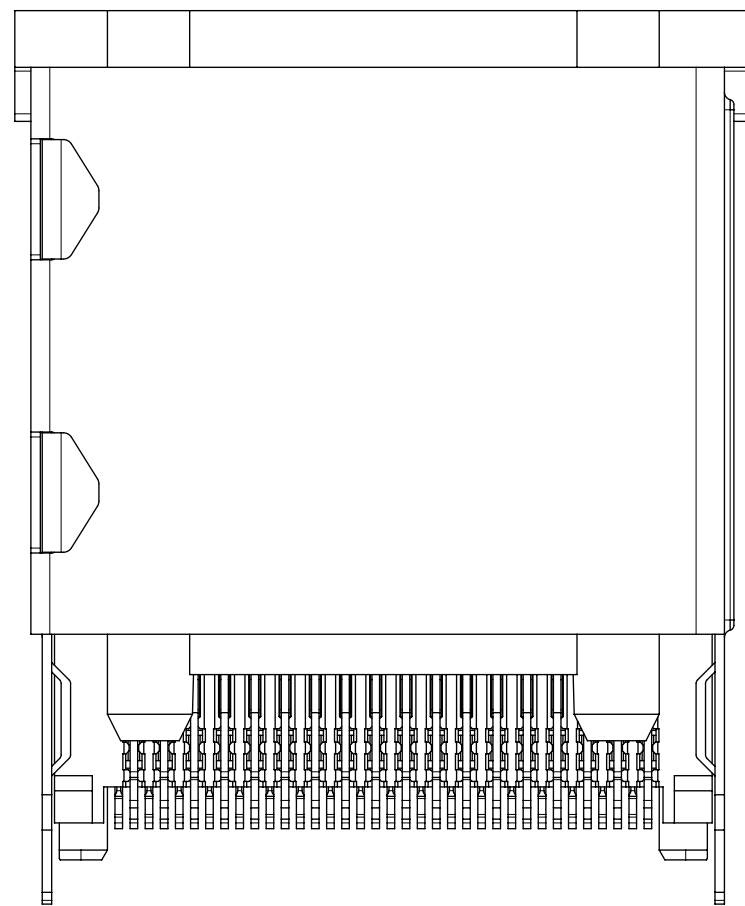
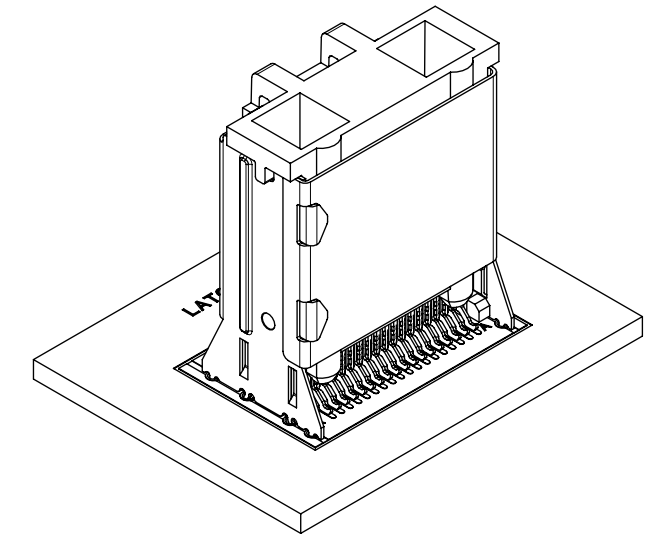
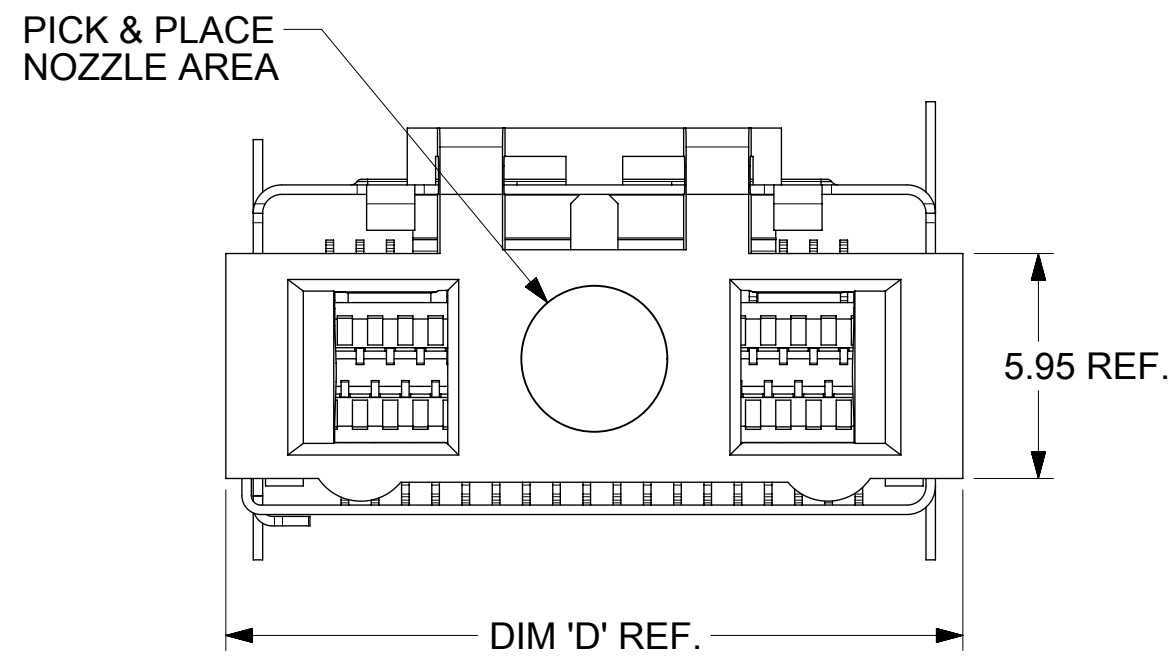
iPass™ IS A TRADEMARK OF MOLEX

CIRCUIT SIZE	DIM 'A'	DIM 'B'	DIM 'C'
26	12.00	13.80	11.80
36	16.00	17.80	15.80
50	21.60	23.40	21.40
68	28.80	30.60	28.60

THIS DRAWING CONTAINS INFORMATION THAT IS PROPRIETARY TO MOLEX ELECTRONIC TECHNOLOGIES, LLC AND SHOULD NOT BE USED WITHOUT WRITTEN PERMISSION													
DIMENSION UNITS mm		SCALE 5:1		CURRENT REV DESC: OBSOLETE PART NUMBER AS PER PCN#510579						molex			
GENERAL TOLERANCES (UNLESS SPECIFIED)				EC NO: 675088									
ANGULAR TOL ± 0.5°				4 PLACES ±		DRWN: SUGEEB		2021/08/03		PRODUCT CUSTOMER DRAWING			
				3 PLACES ±		CHK'D: GGA		2021/09/08					
				2 PLACES ± 0.13		APPR: GGA		2021/09/08		DOCUMENT NUMBER SD-75784-001			
				1 PLACE ± 0.25		INITIAL REVISION:		2005/04/15				DOC TYPE PSD	DOC PART 001
				0 PLACES ±		APPR: RNELSON		2005/04/18		MATERIAL NUMBER SEE TABLE	CUSTOMER GENERAL MARKET		SHEET NUMBER 1 OF 13
DRAFT WHERE APPLICABLE MUST REMAIN WITHIN DIMENSIONS				THIRD ANGLE PROJECTION		DRAWING C-SIZE		SERIES 75784					

DOCUMENT STATUS	P1	RELEASE DATE	2021/09/08	12:08:25
-----------------	----	--------------	------------	----------

ASSEMBLY WITH PRE-POSITIONING DEVICE



36 CIRCUIT RETENTION FIT SHOWN

NOTES:

1. PICK AND PLACE LOCATION DEFINED ON APPLICATION SPECIFICATION AS-75783-001
2. PACKAGING CONSISTS OF CONNECTOR AND SHELL WITH A PRE-POSITIONING PICK AND PLACE DEVICE THAT ARE PACKAGED IN "TAPE AND REEL" FOR ROBOTIC PICK AND PLACE.

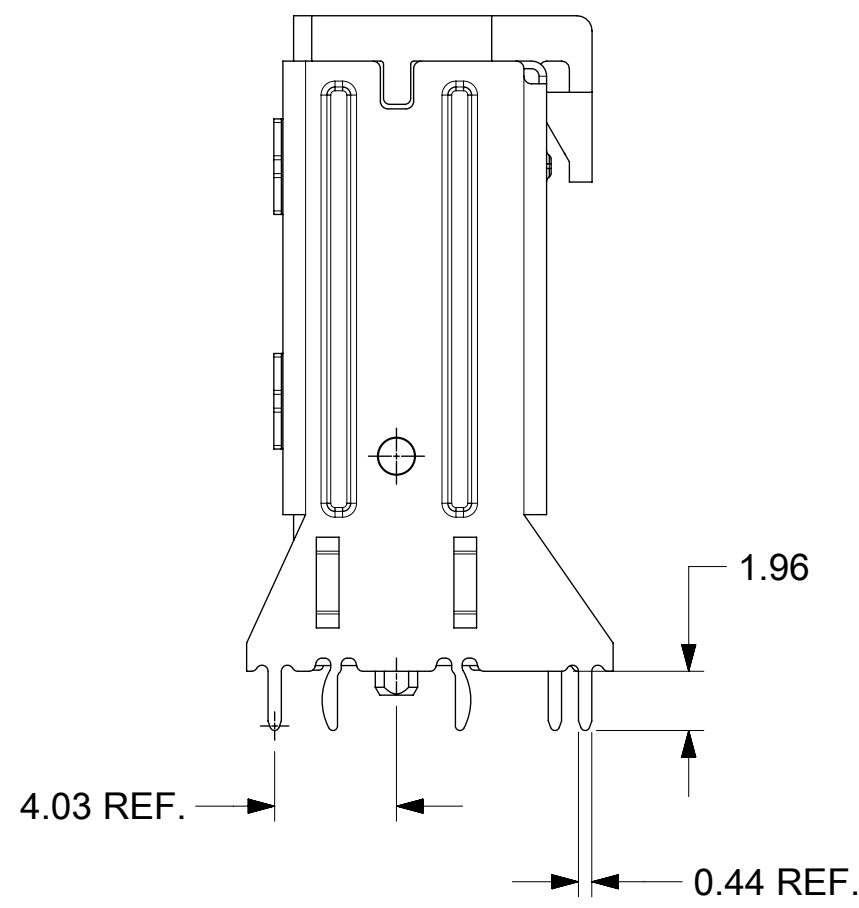
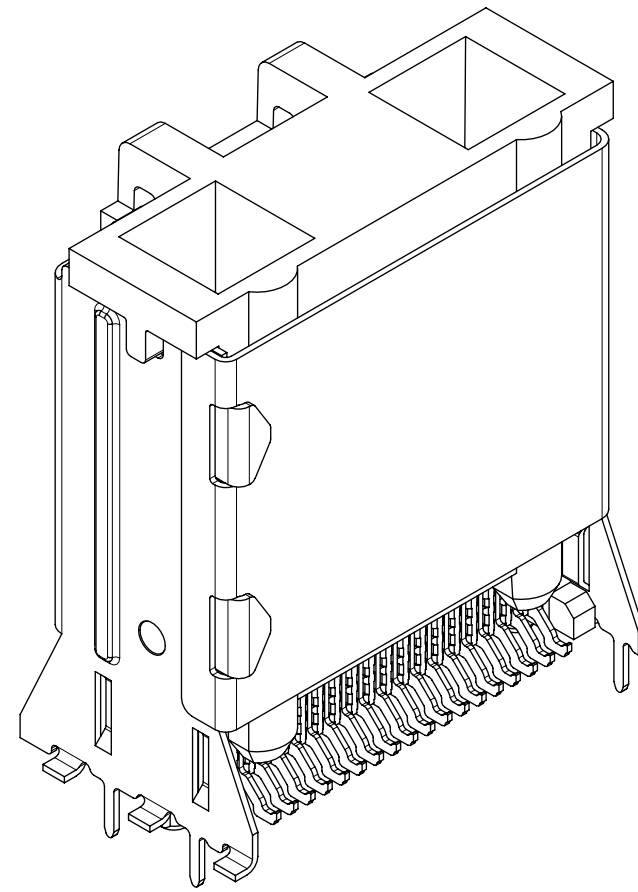
iPass™ IS A TRADEMARK OF MOLEX

CIRCUIT SIZE	DIM 'D'
26	15.50
36	19.50
50	25.10
68	32.30

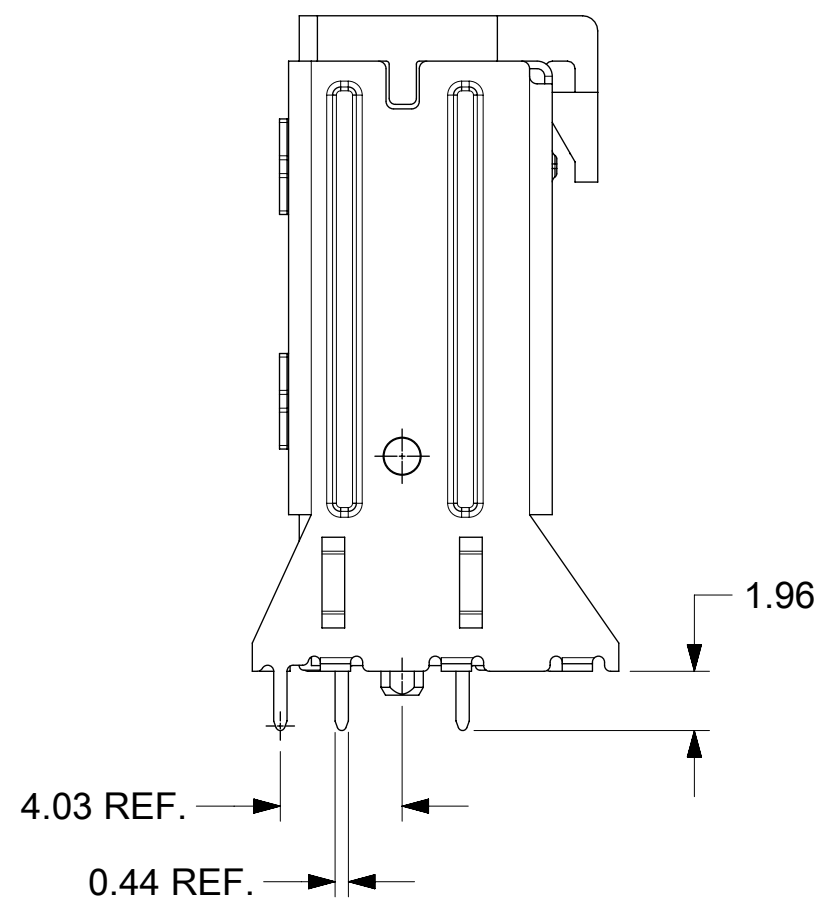
THIS DRAWING CONTAINS INFORMATION THAT IS PROPRIETARY TO MOLEX ELECTRONIC TECHNOLOGIES, LLC AND SHOULD NOT BE USED WITHOUT WRITTEN PERMISSION											
DIMENSION UNITS		SCALE		CURRENT REV DESC: OBSOLETE PART NUMBER AS PER PCN#510579							
mm		5:1									
GENERAL TOLERANCES (UNLESS SPECIFIED)				EC NO: 675088							
ANGULAR TOL ± 0.5°				4 PLACES ±		DRWN: SUGEEB		2021/08/03		PRODUCT CUSTOMER DRAWING	
				3 PLACES ±		CHK'D: GGA		2021/09/08			
				2 PLACES ± 0.13		APPR: GGA		2021/09/08		DOCUMENT NUMBER	
				1 PLACE ± 0.25		INITIAL REVISION:		2005/04/15			
				0 PLACES ±		DRWN: KLANG		2005/04/18		DOC TYPE	
DRAFT WHERE APPLICABLE MUST REMAIN WITHIN DIMENSIONS				THIRD ANGLE PROJECTION		DRAWING		SERIES			
				C-SIZE		75784		REVISION		D6	
MATERIAL NUMBER		CUSTOMER		SHEET NUMBER							
SEE TABLE		GENERAL MARKET		2 OF 13							

DOCUMENT STATUS	P1	RELEASE DATE	2021/09/08	12:08:25
-----------------	----	--------------	------------	----------

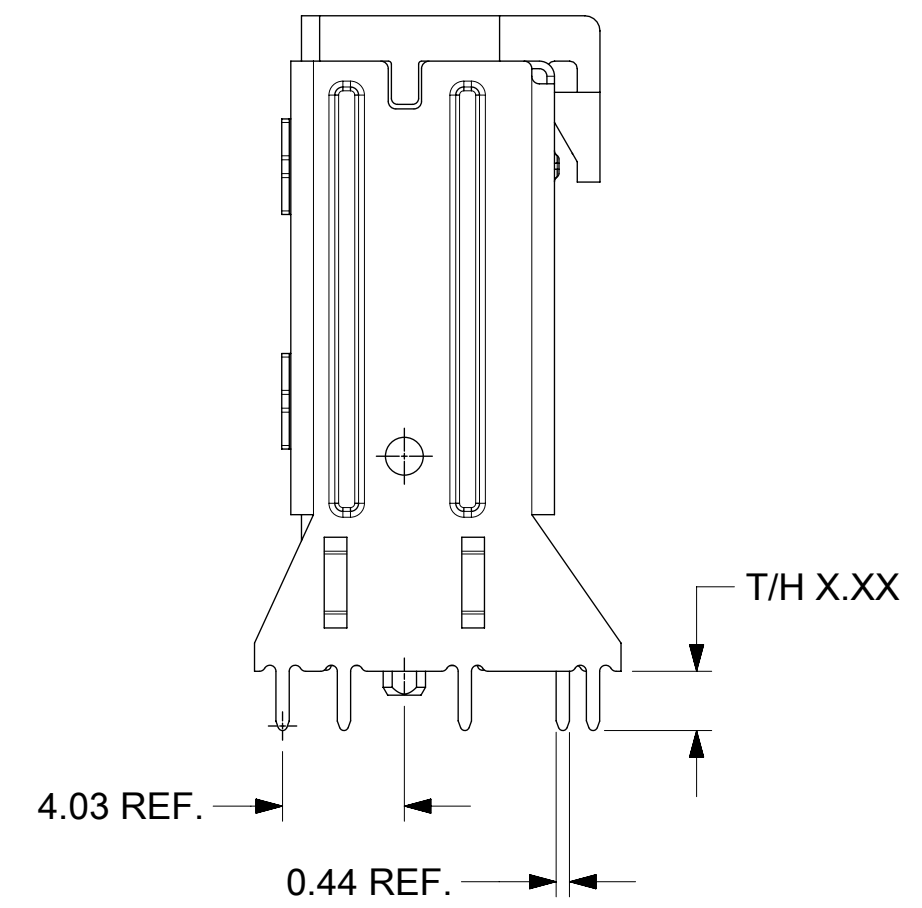
SHELL PCB INTERFACE



**RETENTION-FIT
SHELL OPTION**



SMT SHELL OPTION



**THRU-HOLE SHELL OPTION
SEE TABLE FOR LENGTH
(X.XX DENOTES LENGTH)**

**RECOMMENDED PCB THICKNESS
FOR SPECIFIED TAIL LENGTH**

TAIL LENGTH	PCB THICKNESS
1.96	1.57 (.062)
2.79	2.36 (.093)
3.18	2.79 (.110)
3.56	3.18 (.125)

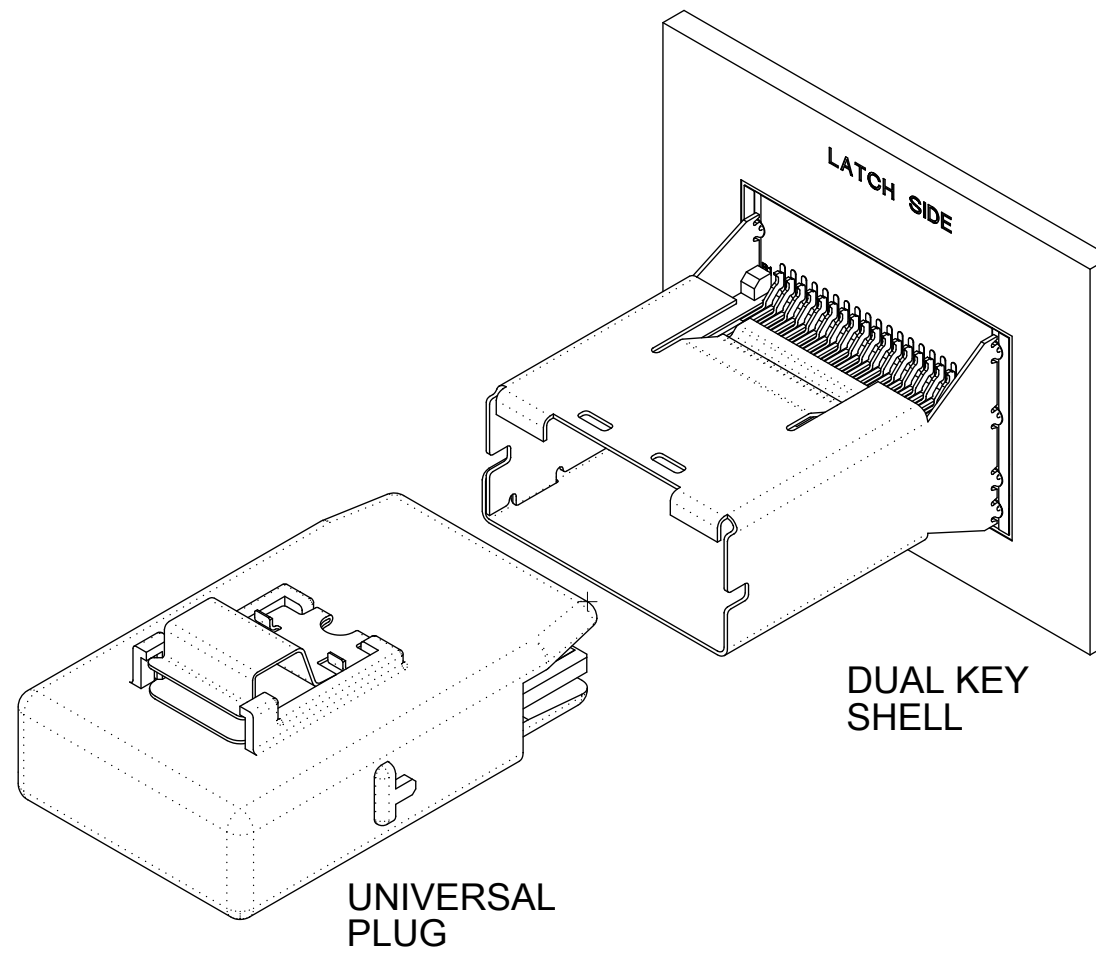
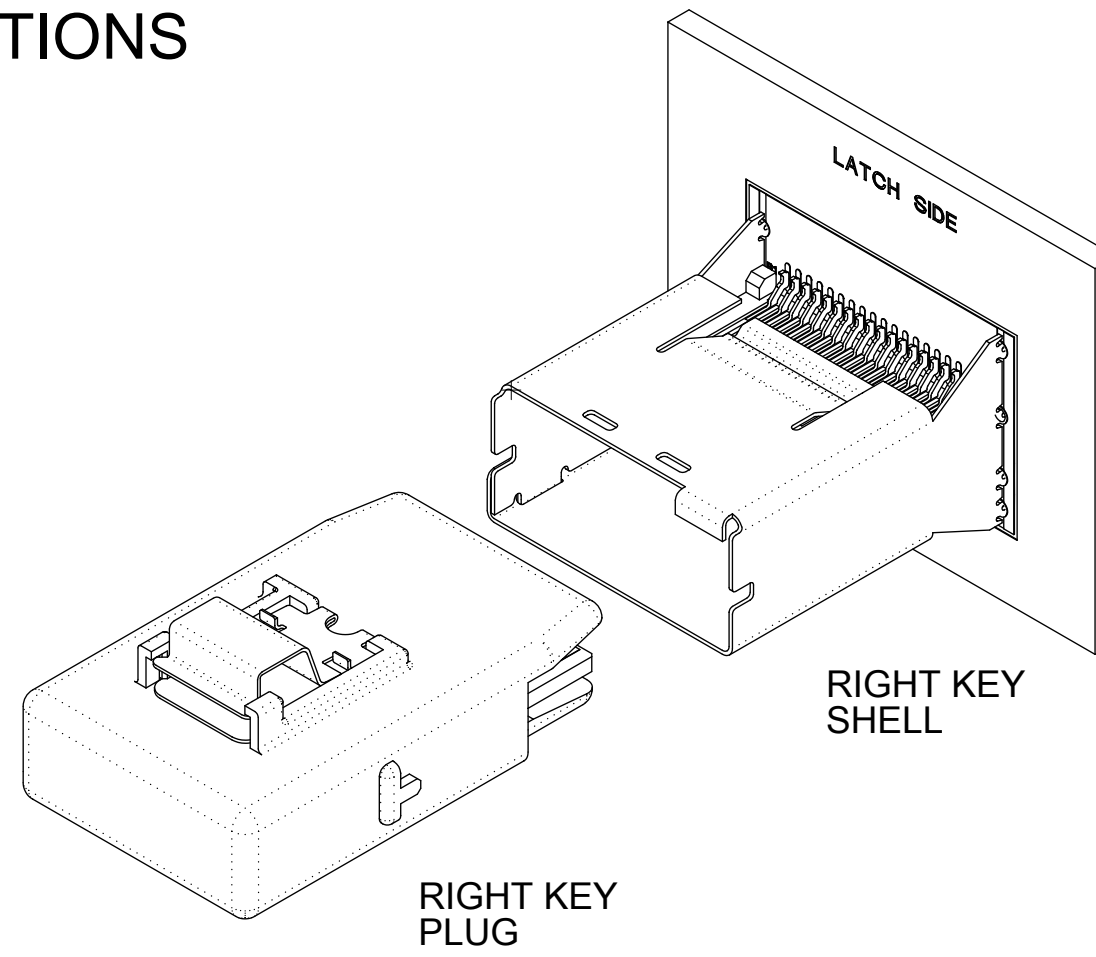
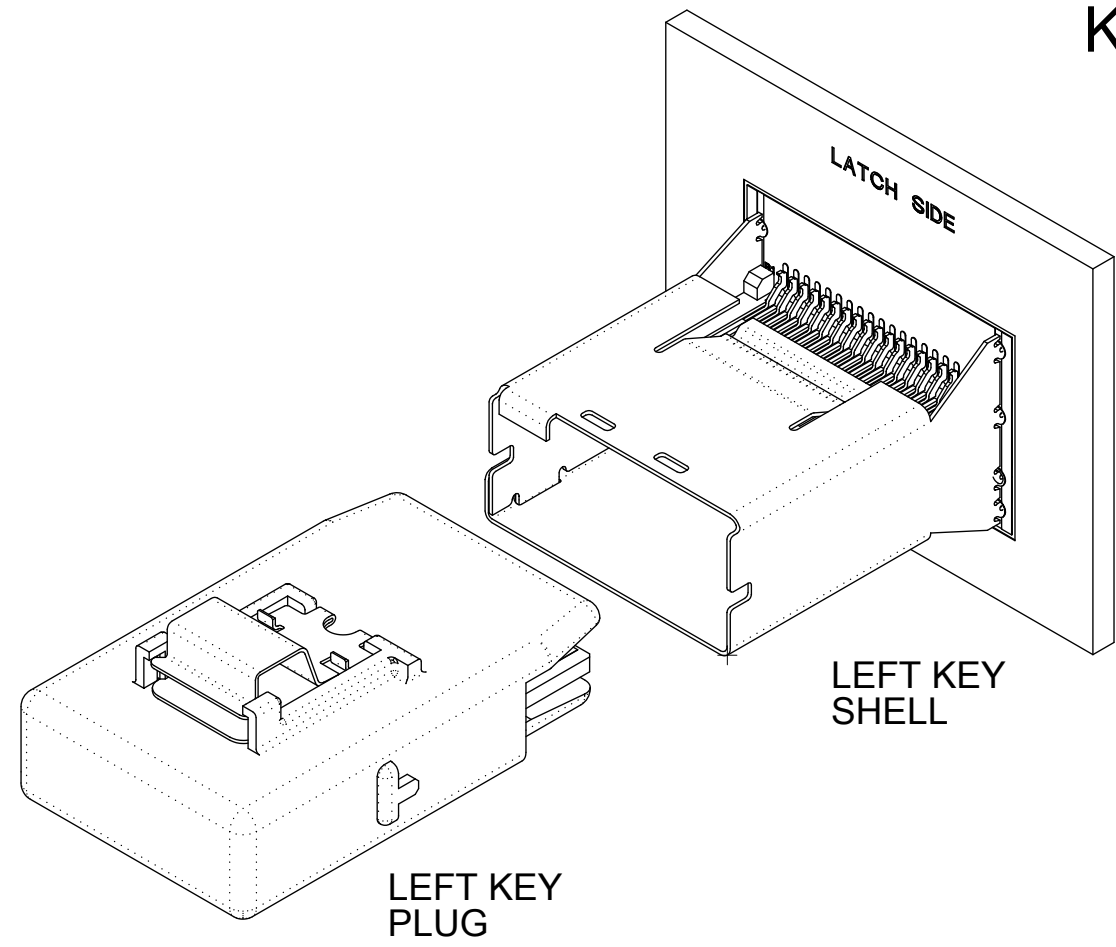
NOTE:
 RETENTION FIT DENOTES TAILS THAT OFFER RETENTION TO PCB DURING REFLOW PROCESS
 SMT DENOTES SURFACE MOUNT TERMINATION
 T/H X.XX DENOTES THRU-HOLE TAIL OF LENGTH X.XX

iPass™ IS A TRADEMARK OF MOLEX

THIS DRAWING CONTAINS INFORMATION THAT IS PROPRIETARY TO MOLEX ELECTRONIC TECHNOLOGIES, LLC AND SHOULD NOT BE USED WITHOUT WRITTEN PERMISSION		CURRENT REV DESC: OBSOLETE PART NUMBER AS PER PCN#510579			
DIMENSION UNITS	SCALE	EC NO: 675088			
mm	4:1	DRWN: SUGEEB 2021/08/03		I-PASS VERT CONNECTOR INTERNAL ASSY W/SHELL 0.8MM PITCH I/O	
GENERAL TOLERANCES (UNLESS SPECIFIED)		CHK'D: GGA 2021/09/08			
ANGULAR TOL	± 0.5°	APPR: GGA 2021/09/08		PRODUCT CUSTOMER DRAWING	
4 PLACES	±	INITIAL REVISION:		DOCUMENT NUMBER	
3 PLACES	±	DRWN: KLANG 2005/04/15		SD-75784-001	
2 PLACES	± 0.13	APPR: RNELSON 2005/04/18		DOC TYPE	DOC PART
1 PLACE	± 0.25	THIRD ANGLE PROJECTION		PSD	001
0 PLACES	±	DRAWING		D6	
DRAFT WHERE APPLICABLE MUST REMAIN WITHIN DIMENSIONS		C-SIZE	SERIES	MATERIAL NUMBER	CUSTOMER
			75784	SEE TABLE	GENERAL MARKET
				SHEET NUMBER	
				3 OF 13	


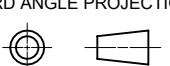
DOCUMENT STATUS	P1	RELEASE DATE	2021/09/08	12:08:25
-----------------	----	--------------	------------	----------

KEYING OPTIONS



	UNIVERSAL SHELL	LEFT KEY SHELL	RIGHT KEY SHELL	DUAL KEY SHELL
NO KEY PLUG	YES	NO	NO	NO
LEFT KEY PLUG	YES	YES	NO	NO
RIGHT KEY PLUG	YES	NO	YES	NO
UNIVERSAL PLUG	YES	YES	YES	YES

iPass™ IS A TRADEMARK OF MOLEX

THIS DRAWING CONTAINS INFORMATION THAT IS PROPRIETARY TO MOLEX ELECTRONIC TECHNOLOGIES, LLC AND SHOULD NOT BE USED WITHOUT WRITTEN PERMISSION										
DIMENSION UNITS	SCALE	CURRENT REV DESC: OBSOLETE PART NUMBER AS PER PCN#510579								
mm	2:1	 <p>I-PASS VERT CONNECTOR INTERNAL ASSY W/SHELL 0.8MM PITCH I/O</p>								
GENERAL TOLERANCES (UNLESS SPECIFIED)										
ANGULAR TOL	± 0.5°	EC NO: 675088 DRWN: SUGEEB 2021/08/03 CHK'D: GGA 2021/09/08 APPR: GGA 2021/09/08								
4 PLACES	±	INITIAL REVISION: DRWN: KLANG 2005/04/15 APPR: RNELSON 2005/04/18								
3 PLACES	±									
2 PLACES	± 0.13	PRODUCT CUSTOMER DRAWING								
1 PLACE	± 0.25	DOCUMENT NUMBER				DOC TYPE	DOC PART	REVISION		
0 PLACES	±	SD-75784-001				PSD	001	D6		
DRAFT WHERE APPLICABLE MUST REMAIN WITHIN DIMENSIONS		THIRD ANGLE PROJECTION	DRAWING	SERIES	MATERIAL NUMBER	CUSTOMER	SHEET NUMBER			
			C-SIZE	75784	SEE TABLE	GENERAL MARKET	4 OF 13			

26 CIRCUIT ITEM NUMBERS

CIRCUIT SIZE	ITEM NUMBER	PLATING OPTION	SHELL PCB OPTION	SHELL KEY OPTION
26	75784-0007	OPTION 1	RETENTION	LEFT
26	75784-0012	OPTION 1	SMT	DUAL
26	75784-0025	OPTION 1	RETENTION	UNIVERSAL
26	75784-0026	OPTION 1	SMT	UNIVERSAL
26	75784-0028	OPTION 2	SMT	UNIVERSAL
26	75784-0032	OPTION 1	T/H 1.96	UNIVERSAL

CIRCUIT SIZE	ITEM NUMBER	PLATING OPTION	SHELL PCB OPTION	SHELL KEY OPTION
26	75784-0037	OPTION 1	T/H 2.79	LEFT
26	75784-0038	OPTION 1	T/H 2.79	RIGHT
26	75784-0039	OPTION 1	T/H 2.79	DUAL
26	75784-0040	OPTION 1	T/H 2.79	UNIVERSAL
26	75784-0041	OPTION 2	T/H 2.79	LEFT
26	75784-0042	OPTION 2	T/H 2.79	RIGHT
26	75784-0043	OPTION 2	T/H 2.79	DUAL
26	75784-0045	OPTION 1	T/H 3.18	LEFT
26	75784-0046	OPTION 1	T/H 3.18	RIGHT
26	75784-0047	OPTION 1	T/H 3.18	DUAL
26	75784-0048	OPTION 1	T/H 3.18	UNIVERSAL
26	75784-0049	OPTION 2	T/H 3.18	LEFT
26	75784-0050	OPTION 2	T/H 3.18	RIGHT
26	75784-0051	OPTION 2	T/H 3.18	DUAL
26	75784-0052	OPTION 2	T/H 3.18	UNIVERSAL

iPass™ IS A TRADEMARK OF MOLEX

THIS DRAWING CONTAINS INFORMATION THAT IS PROPRIETARY TO MOLEX ELECTRONIC TECHNOLOGIES, LLC AND SHOULD NOT BE USED WITHOUT WRITTEN PERMISSION										
DIMENSION UNITS	SCALE	CURRENT REV DESC: OBSOLETE PART NUMBER AS PER PCN#510579				molex				
mm	1:1	EC NO: 675088 DRWN: SUGEEB 2021/08/03 CHK'D: GGA 2021/09/08 APPR: GGA 2021/09/08 INITIAL REVISION: DRWN: KLANG 2005/04/15 APPR: RNELSON 2005/04/18				I-PASS VERT CONNECTOR INTERNAL ASSY W/SHELL 0.8MM PITCH I/O				
GENERAL TOLERANCES (UNLESS SPECIFIED)						PRODUCT CUSTOMER DRAWING				
ANGULAR TOL ± 0.5°						DOCUMENT NUMBER				
4 PLACES ±						SD-75784-001		DOC TYPE	DOC PART	REVISION
3 PLACES ±						PSD	001	D6		
2 PLACES ± 0.13		MATERIAL NUMBER								
1 PLACE ± 0.25		SEE TABLE		CUSTOMER		SHEET NUMBER				
0 PLACES ±		GENERAL MARKET		5 OF 13						
DRAFT WHERE APPLICABLE MUST REMAIN WITHIN DIMENSIONS		THIRD ANGLE PROJECTION	DRAWING	SERIES	MATERIAL NUMBER		CUSTOMER		SHEET NUMBER	
			C-SIZE	75784	SEE TABLE		GENERAL MARKET		5 OF 13	

DOCUMENT STATUS	P1	RELEASE DATE	2021/09/08	12:08:25
-----------------	----	--------------	------------	----------

36 CIRCUIT ITEM NUMBERS

CIRCUIT SIZE	ITEM NUMBER	PLATING OPTION	SHELL PCB OPTION	SHELL KEY OPTION
36	75784-0109	OPTION 1	RETENTION	DUAL
36	75784-0110	OPTION 1	SMT	LEFT
36	75784-0111	OPTION 1	SMT	RIGHT
36	75784-0112	OPTION 1	SMT	DUAL
36	75784-0119	OPTION 2	RETENTION	LEFT
36	75784-0120	OPTION 2	RETENTION	RIGHT
36	75784-0121	OPTION 2	RETENTION	DUAL
36	75784-0125	OPTION 1	RETENTION	UNIVERSAL
36	75784-0126	OPTION 1	SMT	UNIVERSAL
36	75784-0127	OPTION 2	RETENTION	UNIVERSAL
36	75784-0131	OPTION 1	T/H 1.96	DUAL
36	75784-0132	OPTION 1	T/H 1.96	UNIVERSAL
36	75784-0136	OPTION 2	T/H 1.96	UNIVERSAL

CIRCUIT SIZE	ITEM NUMBER	PLATING OPTION	SHELL PCB OPTION	SHELL KEY OPTION
36	75784-0137	OPTION 1	T/H 2.79	LEFT
36	75784-0138	OPTION 1	T/H 2.79	RIGHT
36	75784-0139	OPTION 1	T/H 2.79	DUAL
36	75784-0140	OPTION 1	T/H 2.79	UNIVERSAL
36	75784-0141	OPTION 2	T/H 2.79	LEFT
36	75784-0142	OPTION 2	T/H 2.79	RIGHT
36	75784-0143	OPTION 2	T/H 2.79	DUAL
36	75784-0144	OPTION 2	T/H 2.79	UNIVERSAL
36	75784-0147	OPTION 1	T/H 3.18	DUAL
36	75784-0148	OPTION 1	T/H 3.18	UNIVERSAL
36	75784-0150	OPTION 2	T/H 3.18	RIGHT
36	75784-0151	OPTION 2	T/H 3.18	DUAL
36	75784-0152	OPTION 2	T/H 3.18	UNIVERSAL
36	75784-0156	OPTION 1	T/H 3.56	UNIVERSAL
36	75784-0159	OPTION 2	T/H 3.56	DUAL
36	75784-0160	OPTION 2	T/H 3.56	UNIVERSAL

iPass™ IS A TRADEMARK OF MOLEX

THIS DRAWING CONTAINS INFORMATION THAT IS PROPRIETARY TO MOLEX ELECTRONIC TECHNOLOGIES, LLC AND SHOULD NOT BE USED WITHOUT WRITTEN PERMISSION										
DIMENSION UNITS	SCALE	CURRENT REV DESC: OBSOLETE PART NUMBER AS PER PCN#510579			molex					
mm	1:1	EC NO: 675088 DRWN: SUGEEB 2021/08/03 CHK'D: GGA 2021/09/08 APPR: GGA 2021/09/08 INITIAL REVISION: DRWN: KLANG 2005/04/15 APPR: RNELSON 2005/04/18			I-PASS VERT CONNECTOR INTERNAL ASSY W/SHELL 0.8MM PITCH I/O					
GENERAL TOLERANCES (UNLESS SPECIFIED)					PRODUCT CUSTOMER DRAWING					
ANGULAR TOL ± 0.5°					DOCUMENT NUMBER					
4 PLACES ±	±				SD-75784-001			DOC TYPE	DOC PART	REVISION
3 PLACES ±	±				PSD	001	D6			
2 PLACES ± 0.13	±	MATERIAL NUMBER			CUSTOMER		SHEET NUMBER			
1 PLACE ± 0.25	±	SEE TABLE			GENERAL MARKET		6 OF 13			
0 PLACES ±	±	DRAFT WHERE APPLICABLE MUST REMAIN WITHIN DIMENSIONS		THIRD ANGLE PROJECTION	DRAWING	SERIES				
				C-SIZE	75784					

DOCUMENT STATUS	P1	RELEASE DATE	2021/09/08	12:08:25
-----------------	----	--------------	------------	----------

50 CIRCUIT ITEM NUMBERS

CIRCUIT SIZE	ITEM NUMBER	PLATING OPTION	SHELL PCB OPTION	SHELL KEY OPTION
50	75784-0232	OPTION 1	T/H 1.96	UNIVERSAL

CIRCUIT SIZE	ITEM NUMBER	PLATING OPTION	SHELL PCB OPTION	SHELL KEY OPTION
50	75784-0240	OPTION 1	T/H 2.79	UNIVERSAL
50	75784-0244	OPTION 2	T/H 2.79	UNIVERSAL
50	75784-0252	OPTION 2	T/H 3.18	UNIVERSAL

iPass™ IS A TRADEMARK OF MOLEX

THIS DRAWING CONTAINS INFORMATION THAT IS PROPRIETARY TO MOLEX ELECTRONIC TECHNOLOGIES, LLC AND SHOULD NOT BE USED WITHOUT WRITTEN PERMISSION											
DIMENSION UNITS	SCALE	CURRENT REV DESC: OBSOLETE PART NUMBER AS PER PCN#510579				molex					
mm	1:1	EC NO: 675088 DRWN: SUGEEB 2021/08/03 CHK'D: GGA 2021/09/08 APPR: GGA 2021/09/08 INITIAL REVISION: DRWN: KLANG 2005/04/15 APPR: RNELSON 2005/04/18				I-PASS VERT CONNECTOR INTERNAL ASSY W/SHELL 0.8MM PITCH I/O					
GENERAL TOLERANCES (UNLESS SPECIFIED)						PRODUCT CUSTOMER DRAWING					
ANGULAR TOL ± 0.5°						DOCUMENT NUMBER					
4 PLACES ±						SD-75784-001			DOC TYPE	DOC PART	REVISION
3 PLACES ±						SEE TABLE			PSD	001	D6
2 PLACES ± 0.13		GENERAL MARKET			SHEET NUMBER						
1 PLACE ± 0.25		C-SIZE			7 OF 13						
0 PLACES ±		75784									
DRAFT WHERE APPLICABLE MUST REMAIN WITHIN DIMENSIONS		THIRD ANGLE PROJECTION	DRAWING	SERIES	MATERIAL NUMBER	CUSTOMER	SHEET NUMBER				

DOCUMENT STATUS	P1	RELEASE DATE	2021/09/08	12:08:25
-----------------	----	--------------	------------	----------

68 CIRCUIT ITEM NUMBERS

CIRCUIT SIZE	ITEM NUMBER	PLATING OPTION	SHELL PCB OPTION	SHELL KEY OPTION
68	75784-0332	OPTION 1	T/H 1.96	UNIVERSAL
68	75784-0336	OPTION 2	T/H 1.96	UNIVERSAL

CIRCUIT SIZE	ITEM NUMBER	PLATING OPTION	SHELL PCB OPTION	SHELL KEY OPTION
68	75784-0338	OPTION 1	T/H 2.79	RIGHT
68	75784-0340	OPTION 1	T/H 2.79	UNIVERSAL
68	75784-0344	OPTION 2	T/H 2.79	UNIVERSAL
68	75784-0348	OPTION 1	T/H 3.18	UNIVERSAL
68	75784-0352	OPTION 2	T/H 3.18	UNIVERSAL

iPass™ IS A TRADEMARK OF MOLEX

THIS DRAWING CONTAINS INFORMATION THAT IS PROPRIETARY TO MOLEX ELECTRONIC TECHNOLOGIES, LLC AND SHOULD NOT BE USED WITHOUT WRITTEN PERMISSION											
DIMENSION UNITS	SCALE	CURRENT REV DESC: OBSOLETE PART NUMBER AS PER PCN#510579				molex					
mm	1:1	EC NO: 675088 DRWN: SUGEEB 2021/08/03 CHK'D: GGA 2021/09/08 APPR: GGA 2021/09/08 INITIAL REVISION: DRWN: KLANG 2005/04/15 APPR: RNELSON 2005/04/18				I-PASS VERT CONNECTOR INTERNAL ASSY W/SHELL 0.8MM PITCH I/O					
GENERAL TOLERANCES (UNLESS SPECIFIED)						PRODUCT CUSTOMER DRAWING					
ANGULAR TOL ± 0.5°						DOCUMENT NUMBER					
4 PLACES ±						SD-75784-001			DOC TYPE	DOC PART	REVISION
3 PLACES ±						SEE TABLE			PSD	001	D6
2 PLACES ± 0.13		MATERIAL NUMBER			CUSTOMER		SHEET NUMBER				
1 PLACE ± 0.25		C-SIZE			GENERAL MARKET		8 OF 13				
0 PLACES ±		DRAWING		SERIES		THIRD ANGLE PROJECTION					
DRAFT WHERE APPLICABLE MUST REMAIN WITHIN DIMENSIONS				C-SIZE		75784					

DOCUMENT STATUS	P1	RELEASE DATE	2021/09/08	12:08:25
-----------------	----	--------------	------------	----------

VERTICAL CONNECTOR WITH RETENTION FIT & THRU-HOLE SHELL PCB FOOT PRINT

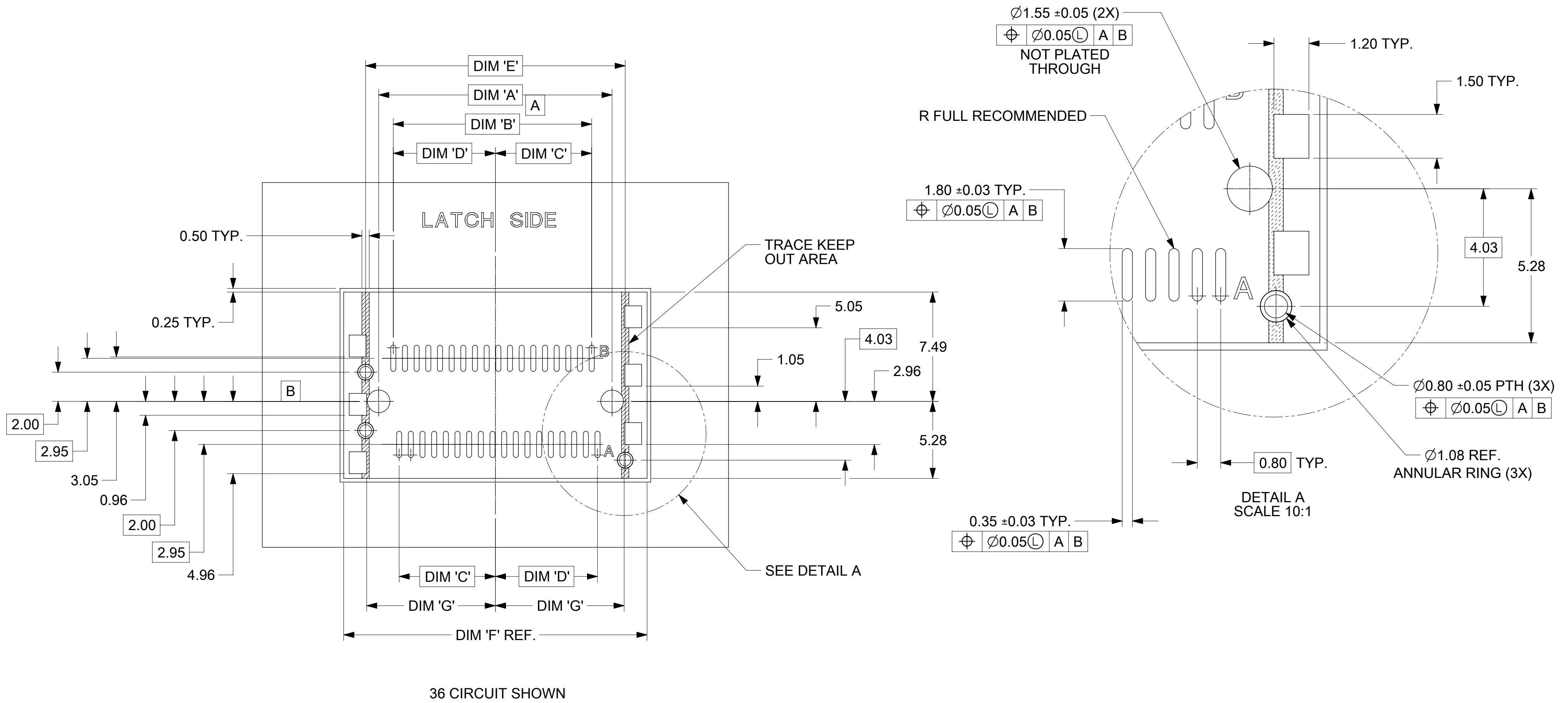


CIRCUIT SIZE	PEG TO PEG	FIRST TO LAST PAD	CENTERLINE TO PAD	CENTERLINE TO PAD	SHELL PEG TO PEG	SHELL FOOTPRINT WIDTH
	DIM 'A'	DIM 'B'	DIM 'C'	DIM 'D'	DIM 'E'	DIM 'F'
26	12.00	9.60	4.60	5.00	13.80	15.80
36	16.00	13.60	6.60	7.00	17.80	19.80
50	21.60	19.20	9.40	9.80	23.40	25.40
68	28.80	26.40	13.00	13.40	30.60	32.60

iPass™ IS A TRADEMARK OF MOLEX

THIS DRAWING CONTAINS INFORMATION THAT IS PROPRIETARY TO MOLEX ELECTRONIC TECHNOLOGIES, LLC AND SHOULD NOT BE USED WITHOUT WRITTEN PERMISSION										
DIMENSION UNITS mm	SCALE 5:1	CURRENT REV DESC: OBSOLETE PART NUMBER AS PER PCN#510579								
GENERAL TOLERANCES (UNLESS SPECIFIED)		<p>I-PASS VERT CONNECTOR INTERNAL ASSY W/SHELL 0.8MM PITCH I/O</p> <p>PRODUCT CUSTOMER DRAWING</p>								
ANGULAR TOL	$\pm 0.5^\circ$									
4 PLACES	\pm									
3 PLACES	\pm									
2 PLACES	± 0.13									
1 PLACE	± 0.25	EC NO: 675088	DRWN: SUGEEB	2021/08/03	CHK'D: GGA	2021/09/08	APPR: GGA	2021/09/08		
0 PLACES	\pm	INITIAL REVISION:			DOCUMENT NUMBER			DOC TYPE	DOC PART	REVISION
DRAFT WHERE APPLICABLE MUST REMAIN WITHIN DIMENSIONS		THIRD ANGLE PROJECTION	DRAWING	SERIES	MATERIAL NUMBER	CUSTOMER	SHEET NUMBER			
			C-SIZE	75784	SEE TABLE	GENERAL MARKET	9 OF 13			

VERTICAL CONNECTOR WITH SMT SHELL PCB FOOT PRINT



	PEG TO PEG	FIRST TO LAST PAD	CENTERLINE TO PAD	CENTERLINE TO PAD	SHELL PEG TO PEG	SHELL FOOTPRINT WIDTH	CENTERLINE TO PAD EDGE
CIRCUIT SIZE	DIM 'A'	DIM 'B'	DIM 'C'	DIM 'D'	DIM 'E'	DIM 'F'	DIM 'G'
26	12.00	9.60	4.60	5.00	13.80	16.80	6.825
36	16.00	13.60	6.60	7.00	17.80	20.80	8.825
50	21.60	19.20	9.40	9.80	23.40	26.40	11.625
68	28.80	26.40	13.00	13.40	30.60	33.60	15.225

iPass™ IS A TRADEMARK OF MOLEX

THIS DRAWING CONTAINS INFORMATION THAT IS PROPRIETARY TO MOLEX ELECTRONIC TECHNOLOGIES, LLC AND SHOULD NOT BE USED WITHOUT WRITTEN PERMISSION

DIMENSION UNITS mm	SCALE 5:1	CURRENT REV DESC: OBSOLETE PART NUMBER AS PER PCN#510579	molex		
GENERAL TOLERANCES (UNLESS SPECIFIED)		EC NO: 675088	I-PASS VERT CONNECTOR INTERNAL ASSY W/SHELL 0.8MM PITCH I/O		
ANGULAR TOL	± 0.5°	DRWN: SUGEEB	PRODUCT CUSTOMER DRAWING		
4 PLACES	±	CHK'D: GGA	2021/08/03		
3 PLACES	±	APPR: GGA	2021/09/08		
2 PLACES	± 0.13	INITIAL REVISION:			
1 PLACE	± 0.25	DRWN: KLANG	2005/04/15	DOCUMENT NUMBER	DOC TYPE DOC PART REVISION
0 PLACES	±	APPR: RNELSON	2005/04/18	SD-75784-001	PSD 001 D6
DRAFT WHERE APPLICABLE MUST REMAIN WITHIN DIMENSIONS		THIRD ANGLE PROJECTION	DRAWING	SERIES	MATERIAL NUMBER CUSTOMER SHEET NUMBER
			C-SIZE	75784	SEE TABLE GENERAL MARKET 10 OF 13

VERTICAL CONNECTOR WITH SHELL PCB FOOT PRINT DESCRIPTIONS

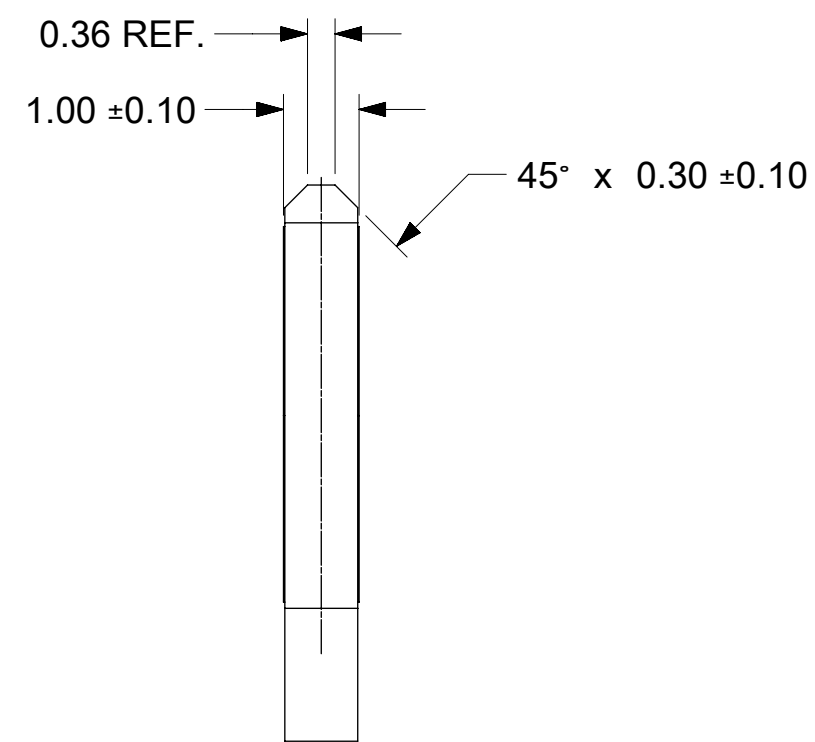


iPass™ IS A TRADEMARK OF MOLEX

THIS DRAWING CONTAINS INFORMATION THAT IS PROPRIETARY TO MOLEX ELECTRONIC TECHNOLOGIES, LLC AND SHOULD NOT BE USED WITHOUT WRITTEN PERMISSION										
DIMENSION UNITS	SCALE	CURRENT REV DESC: OBSOLETE PART NUMBER AS PER PCN#510579				molex				
mm	5:1					I-PASS VERT CONNECTOR INTERNAL ASSY W/SHELL 0.8MM PITCH I/O				
GENERAL TOLERANCES (UNLESS SPECIFIED)						PRODUCT CUSTOMER DRAWING				
ANGULAR TOL ± 0.5°		EC NO: 675088								
4 PLACES ±		DRWN: SUGEEB		2021/08/03						
3 PLACES ±		CHK'D: GGA		2021/09/08						
2 PLACES ± 0.13		APPR: GGA		2021/09/08						
1 PLACE ± 0.25		INITIAL REVISION:				DOCUMENT NUMBER				
0 PLACES ±		DRWN: KLANG		2005/04/15		SD-75784-001		DOC TYPE	DOC PART	REVISION
DRAFT WHERE APPLICABLE MUST REMAIN WITHIN DIMENSIONS		THIRD ANGLE PROJECTION		DRAWING	SERIES	MATERIAL NUMBER		CUSTOMER		SHEET NUMBER
				C-SIZE	75784	SEE TABLE		GENERAL MARKET		11 OF 13

DOCUMENT STATUS	P1	RELEASE DATE	2021/09/08	12:08:25
-----------------	----	--------------	------------	----------


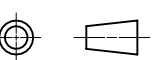
MATING INTERFACE (FOR REFERENCE ONLY)



- NOTES:
- PAD CONFIGURATION FOR FIRST MATE.
 - PAD CONFIGURATION FOR SECOND MATE.
 - PAD CONFIGURATION FOR THIRD MATE. (HIGH SPEED SIGNALS)
 - FOR PIN ASSIGNMENTS AND MATING SEQUENCE (1ST, 2ND, 3RD), SEE APPLICABLE SPECIFICATION.
 - MINIMUM STEP REQUIRED IF PCB MADE WIDER THAN TONGUE.

iPass™ IS A TRADEMARK OF MOLEX

CIRCUIT SIZE	TERM/SIDE 'N'	DIM 'B'	DIM 'C'	DIM 'D'	DIM 'E'
26	13	9.60	4.60	5.00	11.60
36	18	13.60	6.60	7.00	15.60
50	25	19.20	9.40	9.80	21.20
68	34	26.40	13.00	13.40	28.40

THIS DRAWING CONTAINS INFORMATION THAT IS PROPRIETARY TO MOLEX ELECTRONIC TECHNOLOGIES, LLC AND SHOULD NOT BE USED WITHOUT WRITTEN PERMISSION											
DIMENSION UNITS mm		SCALE 1:1		CURRENT REV DESC: OBSOLETE PART NUMBER AS PER PCN#510579				 I-PASS VERT CONNECTOR INTERNAL ASSY W/SHELL 0.8MM PITCH I/O			
GENERAL TOLERANCES (UNLESS SPECIFIED)				EC NO: 675088							
ANGULAR TOL ± 0.5°				DRWN: SUGEEB 2021/08/03				PRODUCT CUSTOMER DRAWING			
4 PLACES ±				CHK'D: GGA 2021/09/08				DOCUMENT NUMBER			
3 PLACES ±				APPR: GGA 2021/09/08				SD-75784-001			
2 PLACES ± 0.13				INITIAL REVISION:				DOC TYPE DOC PART REVISION			
1 PLACE ± 0.25				DRWN: KLANG 2005/04/15				PSD 001 D6			
0 PLACES ±				APPR: RNELSON 2005/04/18				MATERIAL NUMBER CUSTOMER			
DRAFT WHERE APPLICABLE MUST REMAIN WITHIN DIMENSIONS		THIRD ANGLE PROJECTION		DRAWING		SERIES		SEE TABLE		GENERAL MARKET	
				C-SIZE		75784		SHEET NUMBER		12 OF 13	

DOCUMENT STATUS	P1	RELEASE DATE	2021/09/08 12:08:25
-----------------	----	--------------	---------------------

REVISION DESCRIPTION

REV	DATE	DESCRIPTION
D5	2019/4/17	DRAWING MIGRATION TO ECTR
D6	2021/08/03	OBSOLETE PART NUMBERS: 757840008,757840019,757840020,757840021,757840022,757840023,757840024,757840029,757840030,757840031,757840033, 757840034,757840035,757840107,757840108,757840130,757840135,757840145,757840146,757840149,757840153,757840154, 757840155,757840157,757840158,757840207,757840209,757840210,757840211,757840219,757840220,757840221,757840222, 757840223,757840224,757840227,757840228,757840229,757840230,757840231,757840233,757840234,757840235,757840236, 757840237,757840238,757840239,757840241,757840242,757840243,757840246,757840247,757840248,757840249,757840250, 757840251,757840309,757840310,757840311,757840312,757840319,757840321,757840322,757840323,757840325,757840331, 757840335,757840339,757840341,757840342,757840343,757840345,757840346,757840347,757840349,757840350

THIS DRAWING CONTAINS INFORMATION THAT IS PROPRIETARY TO MOLEX ELECTRONIC TECHNOLOGIES, LLC AND SHOULD NOT BE USED WITHOUT WRITTEN PERMISSION									
DIMENSION UNITS	SCALE	CURRENT REV DESC: OBSOLETE PART NUMBER AS PER PCN#510579			molex				
mm	1:1								
GENERAL TOLERANCES (UNLESS SPECIFIED)					I-PASS VERT CONNECTOR INTERNAL ASSY W/SHELL 0.8MM PITCH I/O				
ANGULAR TOL	± 0.5°	EC NO: 675088			PRODUCT CUSTOMER DRAWING				
4 PLACES	±	DRWN: SUGEEB 2021/08/03			DOCUMENT NUMBER: SD-75784-001 DOC TYPE: PSD DOC PART: 001 REVISION: D6				
3 PLACES	±	CHK'D: GGA 2021/09/08							
2 PLACES	± 0.13	APPR: GGA 2021/09/08			MATERIAL NUMBER: SEE TABLE CUSTOMER: GENERAL MARKET SHEET NUMBER: 13 OF 13				
1 PLACE	± 0.25	INITIAL REVISION:							
0 PLACES	±	DRWN: KLANG 2005/04/15							
DRAFT WHERE APPLICABLE MUST REMAIN WITHIN DIMENSIONS		THIRD ANGLE PROJECTION		DRAWING	SERIES				
				C-SIZE	75784				

DOCUMENT STATUS	P1	RELEASE DATE	2021/09/08	12:08:25
-----------------	----	--------------	------------	----------