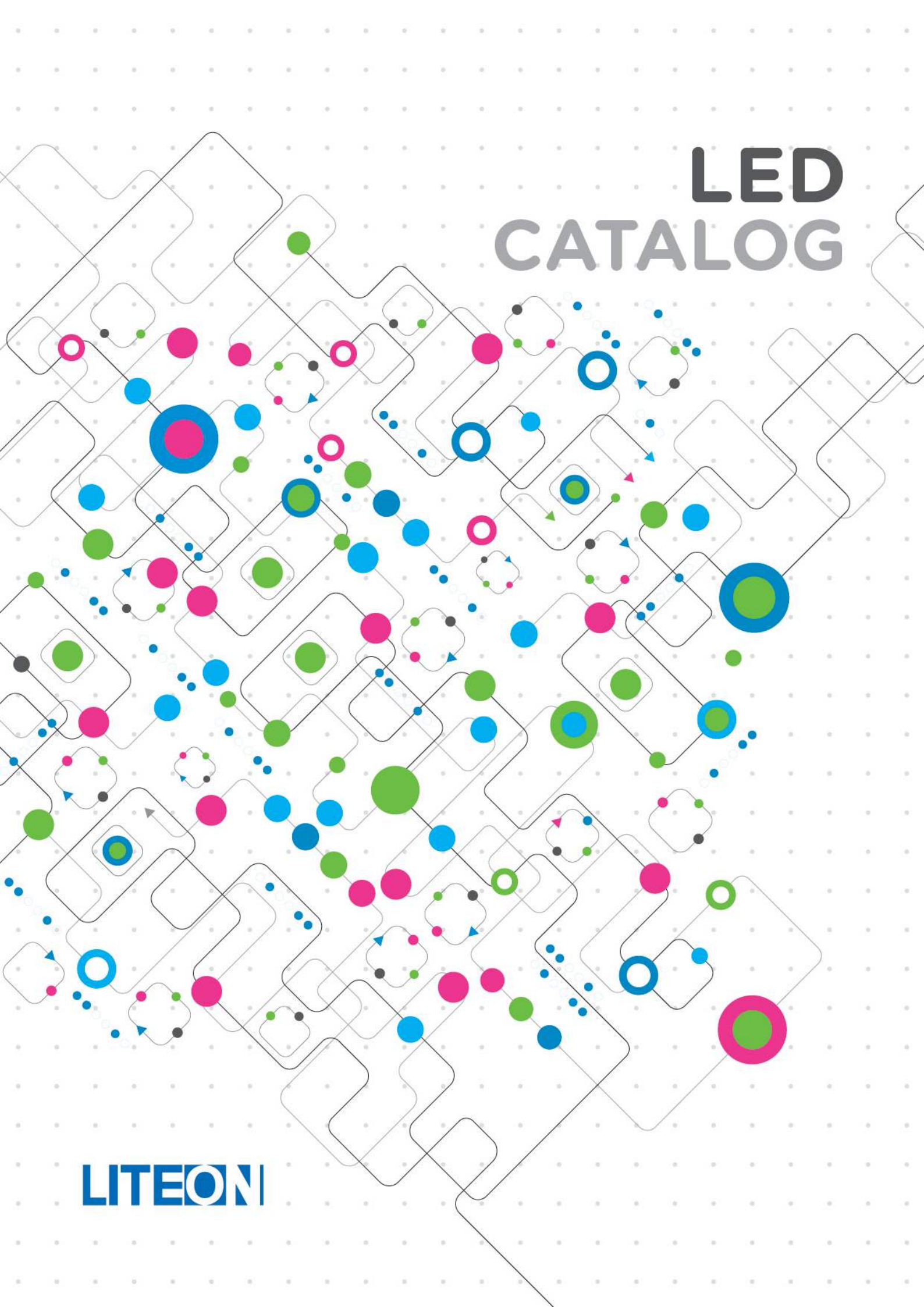


LED CATALOG

LITEON





Creating infinite possibilities for a bright future

Lite-On is the leading global provider of optoelectronic components, with a comprehensive portfolio ranging from Visible LEDs, LED Numeric Displays, and Invisible Infrared Emitting and Detecting Components, Optical Sensors, Photocouplers and UV LEDs.

Offering one of the industry's broadest product portfolios, Lite-ON's optoelectronic based product solutions are used in a wide variety of applications covering various segments of the computer, communications, consumer, and industrial.

With a clear vision to be "Best Partner in Optoelectronic, Eco-Friendly and Intelligent Technologies", we are driven to create extraordinary value and competitive advantage for our customers through innovative technology, superior flexibility manufacturing capabilities and professional services.

Together, we work to enrich lives and shape the future!

For more information, please visit us online at www.liteon.com/opto

Table of Contents

Table of Contents	01
Alphanumeric Index	03
Products & Solutions	19

Flash LED 31

Flash LED_2016 Package	32
Flash LED_1610 Package	33
Flash LED_Module Type	33
Flash LED_CSP Type	35

SMD LED 37

Chip LED_Top View	40
Chip LED_Top View_Reverse Mount	46
Chip LED_Top View_Dome Lens	47
Chip LED_Top View_Inner Lens	49
Chip LED_Top View_Dual Color	50
Chip LED_Top View_Reverse Mount Dual Color	53
Chip LED_Top View_Multi Color	54
Chip LED_Side View	58
Chip LED_Side View with Reflector	60
Chip LED_Side View_Dual Color	61
Chip LED_Side View_Multi Color	62
PLCC_Top View	65
PLCC_Top View_Dual Color	71
PLCC_Top View_Multi Color	72
PLCC_Side View	76
PLCC_Side View_Dual Color	79
PLCC_Side View_Multi Color	80

Through Hole Lamp 82

3mm	83
3mm_Dual Color	85
4mm	87
5mm	87
5mm_Dual Color	88
5mm_0.5W	88
RGB Lamp	89
Circuit Board Indicator (CBI)_Single Level	89
Circuit Board Indicator (CBI)_Bi-Level	92
Circuit Board Indicator (CBI)_Tri-Level	94
Circuit Board Indicator (CBI)_Quad-Level	94
Circuit Board Indicator (CBI)_Quin-Level	95
Circuit Board Indicator (CBI)_PIP	95
Circuit Board Indicators (CBI) with SMD LED	97

LED Display 99

Numeric Display_Single Digit	101
Numeric Display_Dual Digits	110
Numeric Display_Triple Digits	117
Numeric Display_Quadruple Digits	120
Numeric Display_Quintuple Digits	128
Numeric Display_SMD Type	129
Alphanumeric Display	139
Alphanumeric Display_SMD Type	143
Dot Matrix_5X7 Single Color	144
Dot Matrix_5X8 Single Color	147
Dot Matrix_8X8 Single Color	149
Dot Matrix_8X8 Multi Color	151
Dot Matrix_16X16 Single Color	152
Light Bar Array	154
LED Display Module	157

Automotive LED 160

Interior_Chip LED, PLCC.....	161
Interior_Side LED.....	163
Interior_Multi Color 3-in-1 LED.....	164
Interior/Exterior_PLCC4/6 LED.....	165
Exterior_Through Hole Lamp.....	166
Exterior_High Power LED.....	168
Exterior_High Intensity Chip Array.....	170

Signage LED 171

Chip LED Single Color.....	172
Chip LED Multi Color.....	173
Chip LED Multi Color (IC Embedded).....	174
PLCC Single Color.....	175
PLCC Multi Color.....	176
Through Hole Lamp_3mm.....	178
Through Hole Lamp_4mm.....	179
Through Hole Lamp_5mm.....	181
Through Hole Lamp_5mm_Dual Color.....	183

Lighting LED 184

Middle Power.....	185
High Power.....	189
Ceramic COB.....	191
MCPCB COB.....	195

Infrared Emitter and Detector 197

IR Emitter_3mm Through Hole Type.....	198
IR Emitter_5mm Through Hole Type.....	201
IR Emitter_Side Look.....	202
IR Emitter_SMD Side View.....	203
IR Emitter_SMD Type.....	204
IR Emitter_SMD Bowl Type.....	208
IR Emitter_High Power SMD.....	209
IR Emitter_SMD Type.....	209
Photodiode_5mm Through Hole Type.....	210
Photodiode_Side Look.....	210
Photodiode_SMD Side Look.....	212
Photodiode_SMD Type.....	213
Phototransistors_3mm Through Hole Type.....	215
Phototransistors_Side Look.....	217
Phototransistors_SMD Type.....	219
Photolink_Transmitter.....	222
Infrared Transceiver.....	224

Optical Sensors 225

Ambient Light Sensor.....	226
RGB Color Sensor.....	227
UV Sensor.....	228
Proximity Sensor.....	228
2-in-1 Integrated Sensor.....	229
3-in-1 Integrated Sensor.....	230
4-in-1 Integrated Sensor.....	232
Gesture Integrated Sensor.....	233
Heart Rate Monitoring Sensor.....	234
Reflective Sensor.....	236
Transmissive Sensor_Slotted Type.....	238
Transmissive Sensor_Actuator Type.....	245

Photocoupler 246

General Purpose Phototransistor Photocoupler.....	249
Darlington Transistor Output Photocoupler.....	252
Triac Output Photocoupler.....	254
1MBd Transistor Output photocoupler.....	255
10MBd Logic Gate/ 15MBd CMOS Photocoupler.....	256
100kBd Darlington Output Photocoupler.....	257
Integrated Gate Drive Photocoupler.....	258
Schmitt Trigger.....	260
Intelligent Power Module Interface Photocoupler.....	261

UV LED 263

UV LED.....	264
-------------	-----

Worldwide Contacts 266

REPRESENTATIVES AND DISTRIBUTORS

ASIA / PACIFIC.....	267
EMEA.....	270
Americas.....	277

Branch Offices.....	296
---------------------	-----



Alphanumeric Index

Alphanumeric Index

4N25.....	251	LTC-46F6CKS-P.....	138	LTC-2721KF.....	117
4N26.....	251	LTC-46F6TB-P.....	138	LTC-2721KS.....	117
4N27.....	251			LTC-2721TB.....	117
4N28.....	251	LTC-57C7KD.....	125	LTC-2723JD.....	121
4N35.....	251	LTC-57C7KF.....	125	LTC-2723JF.....	121
4N37.....	251	LTC-57C7KG.....	125	LTC-2723JG.....	121
		LTC-57C7KR.....	125	LTC-2723JR.....	121
6N135-H.....	255	LTC-57C7KS.....	125	LTC-2723JS.....	121
6N135-L.....	255			LTC-2723TB.....	121
6N136-H.....	255	LTC-561JD.....	119	LTC-2750JG.....	122
6N136-L.....	255	LTC-561JG.....	119	LTC-2750KD.....	122
6N137-L.....	256	LTC-561KF.....	119	LTC-2750KF.....	122
6N138-L.....	257	LTC-561KR.....	119	LTC-2750KR.....	122
6N139-L.....	257	LTC-561KS.....	119	LTC-2750KS.....	122
		LTC-561TB.....	119	LTC-2750TBE.....	122
CNY17-1.....	251				
CNY17-2.....	251	LTC-571JD.....	119	LTC-3710KD.....	123
CNY17-3.....	251	LTC-571JG.....	119	LTC-3710KG.....	123
CNY17-4.....	251	LTC-571KF.....	119	LTC-3718KD.....	123
CNY17F-1.....	251	LTC-571KR.....	119	LTC-3718KG.....	123
CNY17F-2.....	251	LTC-571KS.....	119		
CNY17F-3.....	251	LTC-571TB.....	119	LTC-4624JD.....	118
CNY17F-4.....	251			LTC-4624JG.....	118
		LTC-2621JD.....	117	LTC-4624JR.....	118
H11L1-L.....	260	LTC-2621JG.....	117	LTC-4624KF.....	118
H11L2-L.....	260	LTC-2621JR.....	117	LTC-4624KS.....	118
H11L3-L.....	260	LTC-2621KF.....	117	LTC-4624TB.....	118
		LTC-2621KS.....	117	LTC-4627JD.....	124
HSDL-3201-008.....	224			LTC-4627JF.....	124
HSDL-3201-021.....	224	LTC-2621TB.....	117	LTC-4627JG.....	124
HSDL-3208-025.....	224	LTC-2623JD.....	121	LTC-4627JR.....	124
HSDL-3208-S25.....	224	LTC-2623JF.....	121	LTC-4627JS.....	124
		LTC-2623JG.....	121	LTC-4627TB.....	124
LTA-1000KD.....	154	LTC-2623JR.....	121		
LTA-1000KF.....	154	LTC-2623JS.....	121	LTC-4724JD.....	118
LTA-1000KG.....	154	LTC-2623TB.....	121	LTC-4724JG.....	118
LTA-1000KR.....	154	LTC-2650JG.....	122	LTC-4724JR.....	118
LTA-1000KS.....	154	LTC-2650KD.....	122	LTC-4724KF.....	118
		LTC-2650KF.....	122	LTC-4724KS.....	118
LTC-26C7KD-02.....	120	LTC-2650KR.....	122	LTC-4724TB.....	118
		LTC-2650KS.....	122	LTC-4727JD.....	124
LTC-46D2SW.....	125	LTC-2650TBE.....	122	LTC-4727JF.....	124
LTC-46F6CKD-P.....	138			LTC-4727JG.....	124
LTC-46F6CKF-P.....	138	LTC-2721JD.....	117	LTC-4727JR.....	124
LTC-46F6CKG-P.....	138	LTC-2721JG.....	117	LTC-4727JS.....	124
LTC-46F6CKR-P.....	138	LTC-2721JR.....	117	LTC-4727TB.....	124

Alphanumeric Index

LTC-5623JD	126	LTD-2404CKD-P	135	LTD-5250JD.....	113
LTC-5623JG	126	LTD-2404CKF-P	135	LTD-5250KF.....	113
LTC-5623KF	126	LTD-2404CKG-P	135	LTD-5250KG.....	113
LTC-5623KR.....	126	LTD-2404CKR-P	135	LTD-5250KR	113
LTC-5623KS	126	LTD-2404CKS-P	135	LTD-5250KS.....	113
LTC-5623TB	126	LTD-2404SW-P	135	LTD-5250TB.....	113
LTC-5653KD-01	127	LTD-2601JD.....	110	LTD-5260KD.....	113
LTC-5653KF-01	127	LTD-2601JG.....	110	LTD-5260KF.....	113
LTC-5653KG-01	127	LTD-2601KF.....	110	LTD-5260KG.....	113
LTC-5653KR-01.....	127	LTD-2601KR	110	LTD-5260KR	113
LTC-5653KS-01	127	LTD-2601KS.....	110	LTD-5260KS.....	113
LTC-5653TB-01	127	LTD-2601TB.....	110	LTD-5260TB.....	113
LTC-5723JD	126	LTD-2701JD.....	110	LTD-5435CKD-P	137
LTC-5723JG	126	LTD-2701JG.....	110	LTD-5435CKF-P.....	137
LTC-5723KF	126	LTD-2701KF.....	110	LTD-5435CKG-P	137
LTC-5723KR.....	126	LTD-2701KR	110	LTD-5435CKR-P	137
LTC-5723KS	126	LTD-2701KS.....	110	LTD-5435CKS-P.....	137
LTC-5723TB	126	LTD-2701TB.....	110	LTD-5435TBE-P	137
LTC-5753KD-01	127	LTD-4516CKD-PM.....	136	LTD-5521AJR.....	114
LTC-5753KF-01	127	LTD-4516CKF-PM.....	136	LTD-5523AJR.....	114
LTC-5753KG-01	127	LTD-4516CKG-PM.....	136	LTD-5621AJG.....	114
LTC-5753KR-01.....	127	LTD-4516CKR-PM.....	136	LTD-5623AJG.....	114
LTC-5753KS-01.....	127	LTD-4516CKS-PM.....	136	LTD-5721AJS	114
LTC-5753TB-01	127	LTD-4516CKS-PM.....	136	LTD-5721AKF.....	114
LTC-7500KD	120	LTD-4516TBE-PM	136	LTD-5723AJS	114
LTC-7500KF	120	LTD-4608JD.....	112	LTD-5723AKF.....	114
LTC-7500KG.....	120	LTD-4608JG.....	112	LTD-6410KD.....	115
LTC-7500KR.....	120	LTD-4608JS	112	LTD-6410KF.....	115
LTC-7500KS	120	LTD-4608KF.....	112	LTD-6410KG.....	115
LTD-322JD	111	LTD-4608KR	112	LTD-6410KR	115
LTD-322JG	111	LTD-4608TB.....	112	LTD-6410KS.....	115
LTD-322KF	111	LTD-4708JD.....	112	LTD-6410TB.....	115
LTD-322KR.....	111	LTD-4708JG.....	112	LTD-6610KD.....	115
LTD-322KS.....	111	LTD-4708JS	112	LTD-6610KF.....	115
LTD-322TB.....	111	LTD-4708KF.....	112	LTD-6610KG.....	115
LTD-323JD	111	LTD-4708KR	112	LTD-6610KR	115
LTD-323JG.....	111	LTD-4708TB.....	112	LTD-6610KS.....	115
LTD-323KF	111	LTD-5021AJD.....	114	LTD-6610TB.....	115
LTD-323KR.....	111	LTD-5021TB.....	114	LTD-8302KD.....	116
LTD-323KS.....	111	LTD-5023AJD.....	114	LTD-8302KF.....	116
LTD-323TB.....	111	LTD-5023TB.....	114	LTD-8302KG.....	116
				LTD-8302KR	116

LTD-8302KS.....	116	LTE-3271B.....	201	LTE-R38386-SE8.....	209
LTD-8302TB.....	116	LTE-3271BL.....	201	LTE-R38386S-S.....	209
LTD-8802KD.....	116	LTE-3273DL.....	201	LTE-R38386S-ZF.....	209
LTD-8802KF.....	116	LTE-3273L.....	201	LTE-R38386-ZF.....	209
LTD-8802KG.....	116	LTE-3276.....	201	LTE-R38386-ZFE8.....	209
LTD-8802KR.....	116	LTE-3279K.....	201	LTE-R38389S-S.....	209
LTD-8802KS.....	116			LTE-R38831S-S.....	209
LTD-8802TB.....	116	LTE-3370L.....	201		
		LTE-3371T.....	201	LTE-S3201.....	208
LTDL-RA16A.....	223	LTE-3372.....	201	LTE-S3206.....	208
LTDL-RA25A.....	223	LTE-3376.....	201	LTE-S9511-E.....	207
				LTE-S9511TS.....	207
LTDL-TA16A.....	222	LTE-3677.....	201	LTE-S9711-J.....	207
LTDL-TA25A.....	222				
LTDL-TA25B.....	223	LTE-4206.....	198	LTF-2505KD.....	128
		LTE-4206C.....	198	LTF-2505KF.....	128
LTE-7F70L.....	201	LTE-4208.....	201	LTF-2505KG.....	128
		LTE-4209.....	198	LTF-2505KR.....	128
LTE-14H0B.....	199	LTE-4238R.....	201	LTF-2505KS.....	128
LTE-16H0B.....	200	LTE-5228A.....	201	LTF-2606KD.....	128
LTE-16K3L.....	198			LTF-2606KF.....	128
		LTE-7377L.....	203	LTF-2606KG.....	128
LTE-18G3N.....	198			LTF-2606KR.....	128
LTE-18H0B.....	200	LTE-C195IRG.....	209	LTF-2606KS.....	128
LTE-32B0L.....	201	LTE-C211-X.....	205	LTH-209-01.....	237
LTE-32B3L.....	201	LTE-C216-P.....	205		
LTE-32F0L.....	201	LTE-C216R-14.....	205	LTH-301-05.....	238
		LTE-C249.....	208	LTH-301-07.....	238
LTE-209.....	199	LTE-C269.....	208	LTH-301-19.....	239
				LTH-301-23.....	239
LTE-302.....	202	LTE-C1501.....	204	LTH-301-27P1.....	240
LTE-304.....	203	LTE-C1506.....	204	LTH-301-32.....	240
LTE-306.....	203	LTE-C1901-ZF.....	204	LTH-301-45W2.....	245
LTE-309.....	202	LTE-C1906R-14.....	204	LTH-301A.....	241
LTE-1650.....	198	LTE-C9301.....	205	LTH-306-01.....	241
		LTE-C9306.....	205	LTH-306-02.....	242
LTE-2872U.....	202	LTE-C9306R-14.....	205	LTH-306-04.....	242
		LTE-C9501-E-T.....	206	LTH-306-06W1.....	245
LTE-3070L.....	201	LTE-C9506B.....	206	LTH-306-09P1.....	245
		LTE-C9901.....	206	LTH-306-11.....	243
LTE-3220L.....	201			LTH-306-41P1.....	243
LTE-3223L.....	201	LTE-R38381-S.....	209	LTH-306-53P1.....	244
LTE-3226.....	201	LTE-R38386-S.....	209	LTH-306-64.....	244

Alphanumeric Index

LTH-1550-01236	LTL2R3TCY3JS 181	LTL17KTBS3KS 178
LTH-1550-06237	LTL2R3TGY3KS 181	LTL17KTGX3KS.....84
	LTL2R3YW3KS 181	LTL17KTGX3KS..... 178
LTH-1650-01237		
LTL1BEKVJNN86	LTL2T3TBK587	LTL30EGCBKJ.....88
	LTL2T3TGK687	LTL30EJ9NN.....88
LTL1BESTBKJH185P91	LTL2V3EUJS..... 181	LTL30EKDFGJ.....88
	LTL2V3EY3KS..... 181	LTL30SETG3J..... 183
LTL1BETBEK5H14992		
LTL1BETBEK5-HF86	LTL3H3EPADS..... 179	LTL-42M3NHKP.....94
LTL1BETBYJR586	LTL3H3TBNADS 179	LTL-42M4NH106.....93
	LTL3H3TGTADS 179	
LTL1CHKEKNN.....83	LTL4HMEPADS 179	LTL-42NEW8DHBP-190
LTL1CHKFKNN.....83	LTL4HMWSDS-A..... 179	LTL-42NGY8D2H214.....93
LTL1CHKGKNN83	LTL4HMYSADS 179	LTL42NKFKN85
LTL1CHKSKNN.....83		LTL42NKGKNN85
LTL1CHTBK583	LTL4VMYS5D 180	LTL42NKRKNN.....85
LTL1CHTGK683		LTL42NKSNN85
LTL1NHEG6D83	LTL5H3TBDS 182	LTL42TB6N85
LTL1NHGB4D83	LTL5H3TGDS 182	LTL42TG6N85
LTL1NHSJ4D83	LTL5H3TRDS 182	LTL42TG6NH18490
LTL1NHTBH4J.....83	LTL5L3ES7D 182	
LTL1NHTGT4TZ.....83	LTL5L3TGV7D 182	LTL67HGEJ85
	LTL5L3YU7DS 182	
LTL1SHER3D 178		LTL750RGBHBJ.....89
LTL1SHEW3KS 178	LTL-14CDJNH79.....94	
LTL1SHTBN3DP 178	LTL-14CM1H18392	LTL-2300HR..... 155
LTL1SHTGV3DP..... 178	LTL-14CM01H232.....95	LTL-2400Y 155
LTL1SHYW3KS..... 178		LTL-2500G..... 155
	LTL17HGL4T.....87	LTL-2620M..... 157
LTL2H3E11K..... 181		LTL-2655HR..... 156
LTL2H3TC21K 181	LTL17KCBH5D84	LTL-2655JD..... 156
LTL2H3Y11K..... 181	LTL17KCGP4J.....84	LTL-2720Y 157
		LTL-2755Y 156
LTL2P3EX2K 181	LTL17KET3KS84	
LTL2P3TCY2K..... 181	LTL17KET3KS 178	LTL-2800G..... 155
LTL2P3YX2K..... 181		LTL-2820G..... 157
	LTL17KFL5D84	LTL-2855G..... 156
LTL2R3FU3JSR..... 181		LTL-4201M 156
	LTL17KGH5D.....84	
LTL2R3KFK.....87	LTL17KRH5D.....84	LTLA2H3VYY1K..... 166
LTL2R3KG87	LTL17KRL6D84	LTLA2R3EW3K..... 166
LTL2R3KRK.....87	LTL17KSL5D84	LTLA2R3YW3K..... 166
LTL2R3KSK.....87	LTL17KTBS3KS84	

LTLA916VAJ2K	167	LTP-757KS	144	LTP-3784JG-01	142
LTLA916VYJ2K	167			LTP-3784KD-01	142
LTLA918VEJ3K	167	LTP-1457KD	145	LTP-3784KF-01	142
LTLA918VYJ3K	167	LTP-1457KF	145	LTP-3784KR-01	142
		LTP-1457KG	145	LTP-3784KS-01	142
LTL-M12RG1H300Q	97	LTP-1457KR	145		
LTL-M12YG1H300Q	98	LTP-1457KS	145	LTP-3786JG-01	142
				LTP-3786KD-01	142
LTL-R42M12NH51	96	LTP-1557KD	145	LTP-3786KF-01	142
LTL-R42NGYAD2H106	95	LTP-1557KF	145	LTP-3786KR-01	142
LTL-R42NGYADH229	96	LTP-1557KG	145	LTP-3786KS-01	142
		LTP-1557KR	145		
LTM-0735G	157	LTP-1557KS	145	LTP-3862JD	140
LTM-0735SW	157	LTP-1557TBE	145	LTP-3862JF	140
				LTP-3862JG	140
LTM-1008M	158	LTP-2057AKA	146	LTP-3862JR	140
LTM-1302SM	159	LTP-2057AKR	146	LTP-3862JS	140
LTM-1524KS	158	LTP-2057AKY	146		
LTP-158FFKF	152			LTP-4323JD	141
LTP-159FFKF	152	LTP-2058AKD	148	LTP-4323JG	141
LTP-185FFMKD-J	153	LTP-2058AKF	148	LTP-4323KF	141
		LTP-2058AKG	148	LTP-4323KR	141
LTP-229FFKF	153	LTP-2058AKR	148	LTP-4323KS	141
		LTP-2058AKS	148		
LTP-537KD	139			LTP-4823JD	141
LTP-537KF	139	LTP-2157AKA	146	LTP-4823JG	141
LTP-537KG	139	LTP-2157AKR	146	LTP-4823KF	141
LTP-537KR	139	LTP-2157AKY	146	LTP-4823KR	141
LTP-537KS	139			LTP-4823KS	141
		LTP-2158AKD	148		
LTP-587KD	139	LTP-2158AKF	148	LTP-4824CKD-P	143
LTP-587KF	139	LTP-2158AKG	148	LTP-4824CKF-P	143
LTP-587KG	139	LTP-2158AKR	148	LTP-4824CKG-P	143
LTP-587KR	139	LTP-2158AKS	148	LTP-4824CKR-P	143
LTP-587KS	139			LTP-4824CKS-P	143
		LTP-3362JD	140		
LTP-747KD	144	LTP-3362JF	140	LTP-7188KD	149
LTP-747KF	144	LTP-3362JG	140	LTP-7188KF	149
LTP-747KG	144	LTP-3362JR	140	LTP-7188KG	149
LTP-747KR	144	LTP-3362JS	140	LTP-7188KR	149
LTP-747KS	144			LTP-7188KS	149
LTP-757KD	144	LTP-3363CKD-P	143		
		LTP-3363CKF-P	143	LTP-7488SF	151
LTP-757KF	144	LTP-3363CKG-P	143	LTP-7588SF	151
LTP-757KG	144	LTP-3363CKR-P	143		
LTP-757KR	144	LTP-3363CKS-P	143	LTP-12788KD	149

Alphanumeric Index

LTP-12788KF.....	149	LTPA-P3030CNPTG.....	168	LTPL-C034UVH365.....	264
LTP-12788KG.....	149	LTPA-P3030CWP57.....	168	LTPL-C034UVH375.....	264
LTP-12788KR.....	149			LTPL-C034UVH385.....	264
LTP-12788KS.....	149	LTPA-P3535CBPPA.....	168	LTPL-C034UVH395.....	264
		LTPA-P3535CWP.....	168	LTPL-C034UVH405.....	264
				LTPL-C034UVH430.....	264
LTP-14058AKD.....	147				
LTP-14058AKF.....	147	LTPA-S38FUMBPPA.....	169		
LTP-14058AKG.....	147	LTPA-S38FUMWE.....	169	LTPL-C035BH450.....	189
LTP-14058AKR.....	147			LTPL-C035BH470.....	189
LTP-14058AKS.....	147	LTPL-A133DWARB.....	35	LTPL-C035GH500.....	189
LTP-14158AKD.....	147	LTPL-A136DWAYB.....	35	LTPL-C035GH530.....	189
LTP-14158AKF.....	147	LTPL-A155DWFWB.....	36	LTPL-C035RH630.....	189
LTP-14158AKG.....	147	LTPL-A157DWFYB.....	36	LTPL-C035RH660.....	189
LTP-14158AKR.....	147			LTPL-C035RH730.....	189
LTP-14158AKS.....	147	LTPL-C08EAS.....	190	LTPL-C035RN615.....	189
		LTPL-C08ECT.....	190		
		LTPL-C08ERS.....	190		
LTP-18088KD.....	150			LTPL-C095WPGE.....	33
LTP-18088KF.....	150			LTPL-C095WPRB.....	33
LTP-18088KG.....	150	LTPL-C08UVH365.....	264	LTPL-C095WPYB.....	33
LTP-18088KR.....	150	LTPL-C08UVH375.....	264		
LTP-18088KS.....	150	LTPL-C08UVH385.....	264	LTPL-C0673WPYB.....	32
		LTPL-C08UVH395.....	264	LTPL-C0675WPGB.....	32
		LTPL-C08UVH405.....	264	LTPL-C0675WPRB.....	32
LTPA-C35NUAWP.....	169			LTPL-C0675WPYB.....	32
LTPA-C35NUBBPPA.....	169	LTPL-C16FBD470.....	189	LTPL-C0677WPGB.....	32
		LTPL-C16FGH530.....	189	LTPL-C0677WPHB.....	32
LTPA-C1915.....	170	LTPL-C16FRD630.....	189	LTPL-C0677WPRB.....	32
		LTPL-C16FRD660.....	189	LTPL-C0677WPYB.....	32
LTPA-C3535ANPTB.....	169	LTPL-C16FRM780.....	189	LTPL-C0678WPYB.....	32
LTPA-C3535AWP.....	169				
LTPA-C3535BBPPA.....	169	LTPL-C16FUVH400.....	265	LTPL-C0685WCGB.....	33
LTPA-C3535BWP57.....	169	LTPL-C16FUVH365.....	265		
LTPA-C3535CNPKE.....	169	LTPL-C16FUVH375.....	265	LTPL-C0695DAYD.....	34
LTPA-C3535CNPTG.....	169	LTPL-C16FUVH385.....	265		
		LTPL-C16FUVH395.....	265	LTPL-M03614ZS27-T0.....	192
LTPA-H2S3138.....	170	LTPL-C16FUVH405.....	265	LTPL-M03614ZS30-T0.....	192
LTPA-H3S4238.....	170			LTPL-M03614ZS40-T0.....	192
LTPA-H4S5338.....	170	LTPL-C034AH610.....	190	LTPL-M03622ZS30-T0.....	192
LTPA-H5S6438.....	170	LTPL-C034DH.....	190	LTPL-M03622ZS30-T0.....	192
		LTPL-C034OH590.....	190	LTPL-M03622ZS30-T0.....	192
LTPA-P35PUCBPPA.....	168			LTPL-M04520QS30-T0.....	196
LTPA-P35PUCWP.....	168	LTPL-C034UVD365.....	264	LTPL-M04520ZS27-T0.....	196
LTPA-P35PUDNPKE.....	168	LTPL-C034UVD375.....	264	LTPL-M04520ZS30-T0.....	196
		LTPL-C034UVD385.....	264	LTPL-M04520ZS40-T0.....	196
LTPA-P3030ANPTB.....	168	LTPL-C034UVD395.....	264		
LTPA-P3030CBPPA.....	168	LTPL-C034UVD405.....	264		
LTPA-P3030CNPKE.....	168				

LTPL-M04530ZS27-T0.....	196	LTPL-P033BS30	188	LTR-820HR.....	236
LTPL-M04530ZS30-T0.....	196	LTPL-P033BS40	188	LTR-1650D.....	215
LTPL-M04530ZS40-T0.....	196	LTPL-P033BS50	188	LTR-3208	216
		LTPL-P033RGB.....	75	LTR-3208E.....	216
LTPL-M07452ZS30-T0.....	194	LTR-209.....	216	LTR-4206	215
LTPL-M07452ZS57-T0.....	194	LTR-209H.....	216	LTR-4206E.....	215
LTPL-M07452ZS65-T0.....	194	LTR-301	217	LTR-5576D	219
LTPL-M07480ZS30-T0.....	194	LTR-303ALS	226	LTR-5579DP1	218
LTPL-M07480ZS57-T0.....	194	LTR-306.....	217	LTR-5888DH.....	218
LTPL-M07480ZS65-T0.....	194	LTR-308ALS	227	LTR-5986H	218
		LTR-309.....	217	LTR-91400.....	233
LTPL-M08206QS30-T0.....	195	LTR-323DB.....	210	LTR-C155-DB.....	213
LTPL-M08206ZS27-T0.....	195	LTR-329ALS	226	LTR-C155-DC	213
LTPL-M08206ZS30-T0.....	195	LTR-380RGB	227	LTR-C950-DB.....	214
LTPL-M08206ZS40-T0.....	195	LTR-390UV	228	LTR-C950-TB-T	220
LTPL-M08210QS30-T0.....	195	LTR-507ALS	229	LTR-C1503	219
LTPL-M08210ZS27-T0.....	195	LTR-516AB	211	LTR-C1903	219
LTPL-M08210ZS30-T0.....	195	LTR-516AD.....	211	LTR-C5510-DC.....	213
LTPL-M08210ZS40-T0.....	195	LTR-526AD.....	210	LTR-C5511-DB	213
LTPL-M08218QS30-T0.....	195	LTR-536AD.....	211	LTR-C9303B.....	220
LTPL-M08218ZS27-T0.....	195	LTR-546AB	212	LTR-S320-DB-L	214
LTPL-M08218ZS30-T0.....	195	LTR-546AD.....	212	LTR-S320-TB.....	222
LTPL-M08218ZS40-T0.....	195	LTR-559ALS	230	LTR-S951-TB.....	221
		LTR-578ALS	230	LTR-S971-TB.....	221
LTPL-M09825QS30-T0.....	193	LTR-579ALS	231	LTS-360KD	104
LTPL-M09825ZS30-T0.....	193	LTR-580RGB	232	LTS-360KF	104
LTPL-M09825ZS40-T0.....	193	LTR-588RGB	232	LTS-360KG	104
LTPL-M09825ZS50-F1.....	193	LTR-590UV	233	LTS-360KR.....	104
LTPL-M09830QS30-T0.....	193	LTR-659PS.....	228	LTS-360KS.....	104
LTPL-M09830ZS30-T0.....	193	LTR-676PS.....	229	LTS-367KD	104
LTPL-M09830ZS40-T0.....	193	LTR-733DBM1-TA	212	LTS-367KF	104
LTPL-M09830ZS50-F1.....	193	LTR-778ALS	231	LTS-367KG	104
		LTR-800HR.....	234	LTS-367KR.....	104
LTPL-M13706ZS27-T0.....	191	LTR-801HR.....	234	LTS-367KS.....	104
LTPL-M13706ZS30-T0.....	191	LTR-806HR.....	235		
LTPL-M13706ZS40-T0.....	191	LTR-810HR.....	235		
LTPL-M13706ZS50-F1.....	191				
LTPL-M13710ZS27-T0.....	191				
LTPL-M13710ZS30-T0.....	191				
LTPL-M13710ZS40-T0.....	191				
LTPL-M13710ZS50-F1.....	191				
LTPL-M13712ZS27-T0.....	191				
LTPL-M13712ZS30-T0.....	191				
LTPL-M13712ZS40-T0.....	191				
LTPL-M13712ZS50-F1.....	191				

Alphanumeric Index

LTS-546AJD.....	106	LTS-2806TBE-P.....	130	LTS-3886CKG-P.....	131
LTS-546AJG.....	106	LTS-2807CKD-P.....	129	LTS-3886CKR-P.....	131
LTS-546AKF.....	106	LTS-2807CKF-P.....	129	LTS-3886CKS-P.....	131
LTS-546AKR.....	106	LTS-2807CKG-P.....	129	LTS-3886CTB-P.....	131
LTS-546AKS.....	106	LTS-2807CKR-P.....	129	LTS-4301JD.....	105
LTS-546TB.....	106	LTS-2807CKS-P.....	129	LTS-4301JF.....	105
LTS-547AJD.....	106	LTS-2807TBE-P.....	129	LTS-4301JG.....	105
LTS-547AJG.....	106	LTS-3361JD.....	102	LTS-4301JR.....	105
LTS-547AJR.....	106	LTS-3361JF.....	102	LTS-4301JS.....	105
LTS-547AKF.....	106	LTS-3361JG.....	102	LTS-4301TB.....	105
LTS-547AKS.....	106	LTS-3361JR.....	102	LTS-4312CKD-PM.....	132
LTS-547TB.....	106	LTS-3361JS.....	102	LTS-4312CKF-PM.....	132
LTS-2301AJD.....	101	LTS-3361TB.....	102	LTS-4312CKG-PM.....	132
LTS-2301AJR.....	101	LTS-3385KD.....	103	LTS-4312CKR-PM.....	132
LTS-2301AKF.....	101	LTS-3385KF.....	103	LTS-4312CKS-PM.....	132
LTS-2301AKG.....	101	LTS-3385KG.....	103	LTS-4312TBE-PM.....	132
LTS-2301AKS.....	101	LTS-3385KR.....	103	LTS-4317CKD-P.....	133
LTS-2301ATB.....	101	LTS-3385KS.....	103	LTS-4317CKF-P.....	133
LTS-2306CKD-P.....	130	LTS-3385TBE.....	103	LTS-4317CKG-P.....	133
LTS-2306CKF-P.....	130	LTS-3386CKD-P.....	131	LTS-4317CKR-P.....	133
LTS-2306CKG-P.....	130	LTS-3386CKF-P.....	131	LTS-4317CKS-P.....	133
LTS-2306CKR-P.....	130	LTS-3386CKG-P.....	131	LTS-4317TBE-P.....	133
LTS-2306CKS-P.....	130	LTS-3386CKR-P.....	131	LTS-4801JD.....	105
LTS-2306TBE-P.....	130	LTS-3386CKS-P.....	131	LTS-4801JF.....	105
LTS-2307CKD-P.....	129	LTS-3386CTB-P.....	131	LTS-4801JG.....	105
LTS-2307CKF-P.....	129	LTS-3861JD.....	102	LTS-4801JR.....	105
LTS-2307CKG-P.....	129	LTS-3861JF.....	102	LTS-4801JS.....	105
LTS-2307CKR-P.....	129	LTS-3861JG.....	102	LTS-4801TB.....	105
LTS-2307CKS-P.....	129	LTS-3861JR.....	102	LTS-4812CKD-PM.....	132
LTS-2307TBE-P.....	129	LTS-3861JS.....	102	LTS-4812CKF-PM.....	132
LTS-2801AJD.....	101	LTS-3861TB.....	102	LTS-4812CKG-PM.....	132
LTS-2801AJR.....	101	LTS-3885KD.....	103	LTS-4812CKR-PM.....	132
LTS-2801AKF.....	101	LTS-3885KF.....	103	LTS-4812CKS-PM.....	132
LTS-2801AKG.....	101	LTS-3885KG.....	103	LTS-4812TBE-PM.....	132
LTS-2801AKS.....	101	LTS-3885KR.....	103	LTS-4817CKD-P.....	133
LTS-2801ATB.....	101	LTS-3885KS.....	103	LTS-4817CKF-P.....	133
LTS-2806CKD-P.....	130	LTS-3885TBE.....	103	LTS-4817CKG-P.....	133
LTS-2806CKF-P.....	130	LTS-3886CKD-P.....	131	LTS-4817CKR-P.....	133
LTS-2806CKG-P.....	130	LTS-3886CKF-P.....	131	LTS-4817CKS-P.....	133
LTS-2806CKR-P.....	130	LTS-3886CKG-P.....	131	LTS-4817TBE-P.....	133
LTS-2806CKS-P.....	130	LTS-3886CKR-P.....	131		

LTS-5001AJD	107	LTS-23805JG	109	L TSA-S089ZWET	163
LTS-5001AJR	107	LTS-23805KD	109	L TSA-T680KEWT	163
LTS-5003AJD	107	LTS-23805KF	109	L TSA-T680KSWT	163
LTS-5003AJR	107	LTS-23805KR	109	L TSA-T680VEWT	163
LTS-5325CKD-P	134	LTS-23805KS	109	L TSA-T680VSWT	163
LTS-5325CKF-P	134	L TSA-C150KEKT	162	L TSA-T680ZBWT-3	163
LTS-5325CKG-P	134	L TSA-C150KSKT	162	L TSA-T680ZGWT-3	163
LTS-5325CKR-P	134	L TSA-C150TBK5	162	L TSA-T680ZHET	163
LTS-5325CKS-P	134	L TSA-C150TBV5	162	L TSA-T680ZWET	163
LTS-5325TBE-P	134	L TSA-C150TBW5	162	L TSA-W150TBA5	162
LTS-5325TKG5	162	L TSA-C150TKG5	162	L TSA-W170DBC5	161
LTS-5501ATB	107	L TSA-C170KEKT	161	L TSA-W170ZTBAT-WT	161
LTS-5503ATB	107	L TSA-C170KSKT	161	L TSA-W191DBS5	161
LTS-5601AJG	107	L TSA-C170TBKT	161	L TSN-B32JEGBB6	173
LTS-5603AJG	107	L TSA-C170TGKT	161	L TSN-B68JEGBB6	173
LTS-5701AJS	107	L TSA-C191KEKT	161	L TSN-C170DS	172
LTS-5701AKF	107	L TSA-C191KSKT	161	L TSN-C170KSWT	172
LTS-5703AJS	107	L TSA-C191TBK5	161	L TSN-C191DS	172
LTS-5703AKF	107	L TSA-C191TKG5	161	L TSN-C191KSKT	172
LTS-5825CKD-P	134	L TSA-E67RVAWT	165	L TSN-D353EGBW	177
LTS-5825CKF-P	134	L TSA-E67RVEWT	165	L TSN-E263HEGBK	174
LTS-5825CKG-P	134	L TSA-E67RVS WT	165	L TSN-E363CEGBW	174
LTS-5825CKR-P	134	L TSA-E67RZHET	165	L TSN-H213EGBW	176
LTS-5825CKS-P	134	L TSA-E67RZWET	165	L TSN-N211QSWT	175
LTS-5825TBE-P	134	L TSA-G6SPVAKT	166	L TSN-N211UWET	175
LTS-10304KD	108	L TSA-G6SPVEKT	166	L TSN-N211VSWT	175
LTS-10304KF	108	L TSA-G6SPVSKT	166	L TSN-N213EGBW	176
LTS-10304KG	108	L TSA-G6SVUAET	166	L TST-006BGEW	80
LTS-10304KR	108	L TSA-G6SVUWET	166	L TST-006GEBW	80
LTS-10304KS	108	L TSA-G683ZBEGWU	164	L TST-008BGEW	81
LTS-10304TBE	108	L TSA-M67KKEWT	162	L TST-008EGSW	81
LTS-10804KD	108	L TSA-M67KKS WT	162	L TST-008GEBW	81
LTS-10804KF	108	L TSA-M67KTBWT	162	L TST-008TGKEWT	79
LTS-10804KG	108	L TSA-M67KTGWT	162	L TST-010KFKT	77
LTS-10804KR	108	L TSA-M67KTHET	162	L TST-010KGKT	77
LTS-10804KS	108	L TSA-M67KTWET	162		
LTS-10804TBE	108	L TSA-S008RGBWA	165		
LTS-23305JG	109	L TSA-S33GBEGK5	164		
LTS-23305KD	109	L TSA-S089ZHET	163		
LTS-23305KF	109				
LTS-23305KR	109				
LTS-23305KS	109				

Alphanumeric Index

LTST-010KRKT77	LTST-C19JZEGB1W-5A56	LTST-C191KRKT.....43
LTST-010KSKT77	LTST-C19KBEGK-5A55	LTST-C191KSKT43
LTST-010TBKT77	LTST-C19MGEBK-5A56	LTST-C191TBKT43
LTST-010TGKT77		LTST-C191TGKT43
	LTST-C21KFKT49	
LTST-020KFKT78	LTST-C21KGKT49	LTST-C193KFKT-5A42
LTST-020KGKT78	LTST-C21KRKT49	LTST-C193KGKT-5A42
LTST-020KRKT78	LTST-C21KSKT49	LTST-C193KRKT-5A42
LTST-020KSKT78	LTST-C21TBKT49	LTST-C193KSKT-5A42
LTST-020TBKT78	LTST-C21TGKT49	LTST-C193TBKT-5A42
LTST-020TGKT78		LTST-C193TGKT-5A42
	LTST-C28NBEGK-2A54	
LTST-108KFKT79		LTST-C194KFKT42
LTST-108KGKT79	LTST-C150KFKT45	LTST-C194KGKT42
LTST-108KRKT79	LTST-C150KGKT45	LTST-C194KRKT42
LTST-108KSKT79	LTST-C150KRKT45	LTST-C194KSKT42
LTST-108TBKT79	LTST-C150KSKT45	LTST-C194TBKT42
LTST-108TGKT79	LTST-C150TBKT45	LTST-C194TGKT42
	LTST-C150TGKT45	
		LTST-C195KGJRKT51
LTST-5630UBWT70	LTST-C155KGJRKT52	LTST-C195KGKFKT51
LTST-5630UGWT70	LTST-C155KGKFKT52	LTST-C195TBJRKT51
LTST-5630ULWT70	LTST-C155TBJRKT52	
LTST-5630VDWT70		LTST-C197KGKEKT52
LTST-5630VEWT70	LTST-C170KFKT45	LTST-C197KGKSKT52
LTST-5630VSWT70	LTST-C170KGKT45	LTST-C197TGKEKT52
	LTST-C170KRKT45	
LTST-A683BEGW75	LTST-C170KSKT45	LTST-C198KFKT41
LTST-A683GEBW75	LTST-C170TBKT45	LTST-C198KGKT41
	LTST-C170TGKT45	LTST-C198KRKT41
LTST-B28JEGBB-5A54		LTST-C198KSKT41
	LTST-C171KFKT44	LTST-C198TBKT41
LTST-B680UGKT175	LTST-C171KGKT44	LTST-C198TGKT41
LTST-B680UWET175	LTST-C171KRKT44	
LTST-B680VEKT175	LTST-C171KSKT44	LTST-C216KFKT49
LTST-B680VSKT175	LTST-C171TBKT44	LTST-C216KGKT49
	LTST-C171TGKT44	LTST-C216KRKT49
LTST-C19DKFKT44		LTST-C216KSKT49
LTST-C19DKRKT44	LTST-C190KFKT43	LTST-C216TBKT49
LTST-C19DKSKT44	LTST-C190KGKT43	LTST-C216TGKT49
LTST-C19DTGKT44	LTST-C190KRKT43	
	LTST-C190KSKT43	LTST-C230KFKT47
LTST-C19FD1WT57	LTST-C190TBKT43	LTST-C230KGKT47
LTST-C19GD2WT57	LTST-C190TGKT43	LTST-C230KRKT47
	LTST-C191KFKT43	LTST-C230KSKT47
LTST-C19HE1WT55	LTST-C191KGKT43	LTST-C230TBKT47
LTST-C19HRGYW55		

LTST-C230TGKT	47	LTST-C371KGKT	40	LTST-E683EGBW	73
LTST-C231KFKT	46	LTST-C371KRKT	40	LTST-E683EGSW	73
LTST-C231KGKT	46	LTST-C371KSKT	40	LTST-E683FGBW	73
LTST-C231KRKT	46	LTST-C395KGKFKT	51	LTST-E683RGBW	73
LTST-C231KSKT	46	LTST-C395KGKRKT	51	LTST-F680UBET	71
LTST-C231TBKT	46	LTST-C395TBKFKT	51	LTST-F680UBWT	71
LTST-C231TGKT	46	LTST-C0610UBWT	65	LTST-F680UGWT	71
LTST-C235KGKRKT	53	LTST-C0610UGWT	65	LTST-F680VEWT	71
LTST-C235KGKSKT	53	LTST-C0610VEWT	65	LTST-F680VSWT	71
LTST-C235TBJRKT	53	LTST-C0610VSWT	65	LTST-G563BBBE	74
LTST-C250KFKT	46	LTST-C0610ZWET	65	LTST-G563DDDDW	74
LTST-C250KGKT	46	LTST-C930KFKT	48	LTST-G563EEEW	74
LTST-C250KRKT	46	LTST-C930KGKT	48	LTST-G563SSSW	74
LTST-C250KSKT	46	LTST-C930KRKT	48	LTST-G563ZBBBW	74
LTST-C250TBKT	46	LTST-C930KSKT	48	LTST-G563ZEGBW	74
LTST-C250TGKT	46	LTST-C930TBKT	48	LTST-G563ZGGGW	74
LTST-C255TBKFWT-5A	53	LTST-C930TGKT	48	LTST-G683ESBW	72
LTST-C281KFKT-5A	41	LTST-C950KFKT	48	LTST-G683GEBW	72
LTST-C281KGKT-5A	41	LTST-C950KGKT	48	LTST-G683RGBW	72
LTST-C281KRKT-5A	41	LTST-C950KRKT	48	LTST-M140KFKT	67
LTST-C281KSKT-5A	41	LTST-C950KSKT	48	LTST-M140KGKT	67
LTST-C281TBKT-5A	41	LTST-C950TBKT	48	LTST-M140KRKT	67
LTST-C281TGKT-5A	41	LTST-C950TGKT	48	LTST-M140KSKT	67
LTST-C283KFKT-5A	40	LTST-C990KFKT	47	LTST-M140QEKT	67
LTST-C283KGKT-5A	40	LTST-C990KGKT	47	LTST-M140QSKT	67
LTST-C283KRKT-5A	40	LTST-C990KRKT	47	LTST-M140TBKT	67
LTST-C283KSKT-5A	40	LTST-C990KSKT	47	LTST-M140TGKT	67
LTST-C283TBKT-5A	40	LTST-C990TBKT	47	LTST-M230UBWT	65
LTST-C283TGKT-5A	40	LTST-C990TGKT	47	LTST-M230UGWT	65
LTST-C285KGKFWT-5A	50	LTST-E680UBWT	70	LTST-M230VEWT	65
LTST-C285TBKEWT-5A	50	LTST-E680UGWT	70	LTST-M230VSWT	65
LTST-C285TGKFWT-5A	50	LTST-E680VEWT	70	LTST-M230ZWET	65
LTST-C295KGKFKT	50	LTST-E680VSWT	70	LTST-M670KFKT	68
LTST-C295KGKRKT	50	LTST-E682KETBWT	71	LTST-M670KGKT	68
LTST-C295TBKFKT	50	LTST-E682KGKFWT	71	LTST-M670KRKT	68
LTST-C371JBKT	40	LTST-E682KGKSWT	71	LTST-M670KSKT	68
LTST-C371JGKT	40	LTST-E682KRKGWT	71	LTST-M670TBKT	68
LTST-C371KFKT	40	LTST-E682TGKRWT	71	LTST-M670TGKT	68
				LTST-S32F1KT	64

Alphanumeric Index

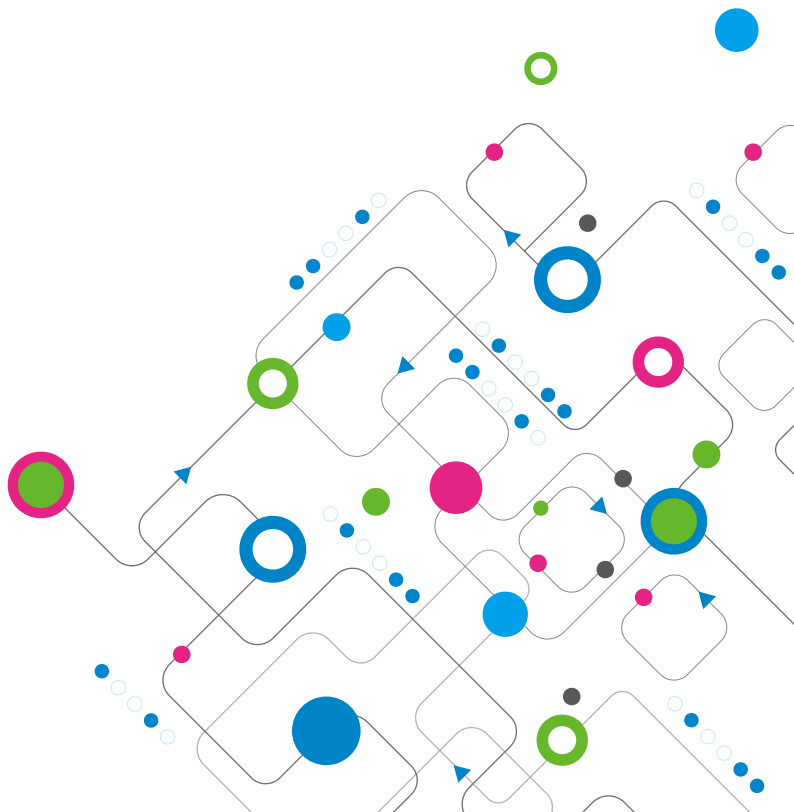
LTST-S33FBEGW-5A.....	62	LTST-S482KFKT-5A.....	58	LTV-215.....	252
LTST-S33GBEGK.....	63	LTST-S482KGKT-5A.....	58	LTV-217.....	250
		LTST-S482KRKT-5A.....	58	LTV-224.....	249
LTST-S43FBEGW.....	63	LTST-S482KSKT-5A.....	58	LTV-227.....	250
		LTST-S482TBKT-5A.....	58	LTV-244.....	249
LTST-S110KFKT.....	59	LTST-S482TGKT-5A.....	58	LTV-245.....	252
LTST-S110KGKT.....	59			LTV-247.....	250
LTST-S110KRKT.....	59	LTST-T680KFWT.....	69		
LTST-S110KSKT.....	59	LTST-T680KGWT.....	69	LTV-0314.....	259
LTST-S110TBKT.....	59	LTST-T680KRWT.....	69		
LTST-S110TGKT.....	59	LTST-T680KSWT.....	69	LTV-314P.....	259
		LTST-T680QEW.....	69	LTV-314W.....	259
LTST-S115KGJRKT.....	61	LTST-T680QSWT.....	69	LTV-340P.....	259
LTST-S115KGKFKT.....	61	LTST-T680TGWT.....	69	LTV-340W.....	259
LTST-S115TGKFKT.....	61	LTST-T680UBWT.....	69	LTV-341P.....	259
		LTST-T680UGWT.....	69	LTV-341W.....	259
LTST-S220KFKT.....	59	LTST-T680UWET.....	69		
LTST-S220KGKT.....	59	LTST-T680VEWT.....	69	LTV-352T.....	253
LTST-S220KRKT.....	59	LTST-T680VSWT.....	69	LTV-354T.....	250
LTST-S220KSKT.....	59			LTV-355T.....	252
LTST-S220TBKT.....	59	LTV-50LP.....	255	LTV-356T.....	250
LTST-S220TGKT.....	59	LTV-50LW.....	255	LTV-357T.....	250
				LTV-358T.....	250
LTST-S270KFKT.....	58	LTV-053L.....	255		
LTST-S270KGKT.....	58			LTV-0456.....	262
LTST-S270KRKT.....	58	LTV-60LP.....	256		
LTST-S270KSKT.....	58	LTV-60LW.....	256	LTV-456P.....	262
LTST-S270TBKT.....	58			LTV-456W.....	262
LTST-S270TGKT.....	58	LTV-063L.....	256		
				LTV-0480.....	261
LTST-S310F3WT.....	64	LTV-70LP.....	256		
		LTV-70LW.....	256	LTV-480P.....	261
LTST-S320KFKT.....	60			LTV-480W.....	261
LTST-S320KGKT.....	60	LTV-071L.....	256		
LTST-S320KRKT.....	60	LTV-073L.....	257	LTV-0481.....	261
LTST-S320KSKT.....	60	LTV-074L.....	256		
LTST-S320TBKT.....	60			LTV-481P.....	261
LTST-S320TGKT.....	60	LTV-152.....	258	LTV-481W.....	261
		LTV-155E.....	258		
LTST-S326KGJRKT.....	61			LTV-0501.....	255
LTST-S326KGKFKT.....	61	LTV-200.....	250	LTV-0601.....	256
LTST-S326TBKSKT.....	61	LTV-205.....	250	LTV-0701.....	257
		LTV-206.....	250		
LTST-S327KGJRKT.....	62	LTV-207.....	250	LTV-702F.....	251
LTST-S327KGJSKT.....	62	LTV-208.....	250	LTV-702V.....	251
LTST-S327TBKFKT.....	62	LTV-214.....	249	LTV-715F.....	253

LTV-725F.....	253	LTV-3052.....	254	LTW4HMDVAJS.....	179
LTV-725V.....	253	LTV-3063.....	254	LTW4VMDV5JS.....	180
LTV-733.....	249	LTV-3083.....	254		
				LTW5H3DVAJS.....	182
LTV-814.....	249	LTV-3120.....	258	LTW5L3DW7JS.....	182
LTV-815.....	252	LTV-3150.....	258		
LTV-816.....	251	LTV-3150-L.....	258	LTW-006DCG-E2.....	78
LTV-817.....	251	LTV-3180.....	258	LTW-008RGB2-PH1.....	81
LTV-824.....	249			LTW-008ZDCG.....	79
LTV-825.....	252	LTV-4506.....	262	LTW-010DCG.....	77
LTV-826.....	251	LTV-4800.....	262	LTW-010DCG-TR.....	77
LTV-827.....	251	LTV-4800-7.....	262	LTW-010SCB.....	77
LTV-844.....	249	LTV-4801.....	262	LTW-010SCG.....	77
LTV-845.....	252			LTW-010SCR.....	77
LTV-846.....	251	LTV-8141.....	253	LTW-010SCSK.....	77
LTV-847.....	251	LTV-8241.....	253	LTW-010SCVL.....	77
LTV-851.....	251	LTV-8441.....	253		
LTV-852.....	253			LTW-17HDU6J.....	87
		LTV-M456.....	262	LTW-17HDW5J.....	87
LTV-1000.....	250	LTV-M480.....	261	LTW-17HDY4.....	87
LTV-1001.....	250	LTV-M481.....	261	LTW-17KDU4Z.....	84
LTV-1002.....	250	LTV-M501.....	255		
LTV-1003.....	250	LTV-M601.....	256	LTW-020ZDCG.....	78
LTV-1004.....	250	LTV-M701.....	257		
LTV-1005.....	250			LTW-21TS5.....	49
LTV-1006.....	250	LTV-T350.....	258		
LTV-1007.....	250			LTW-42NDH8JH227.....	91
LTV-1008.....	250	LTW-1BEEDNJZ.....	86	LTW-42NDH8JH229.....	93
LTV-1009.....	250	LTW-1BETBKJLC.....	86	LTW-42NDP4.....	85
LTV-1010.....	250			LTW-42NDP4H218.....	90
LTV-1014.....	250	LTW-1CHDS4.....	83		
LTV-1018.....	250	LTW-1GHCV4.....	83	LTW-87HD4BSZ.....	83
LTV-1019.....	250				
		LTW-1NHDR5JH231.....	91	LTW-108SEG-W.....	79
LTV-1100.....	251	LTW-1NHDR7JW.....	83	LTW-110TS5.....	59
LTV-1101.....	251	LTW-1NHDY2.....	83	LTW-150ZDS5.....	45
LTV-1102.....	251			LTW-170ZDC.....	45
LTV-1103.....	251	LTW-2H3D51K.....	88	LTW-198ZDS5.....	41
LTV-1104.....	251	LTW-2L3DV5.....	87		
LTV-1105.....	251	LTW-2P3D52K.....	88	LTW-206DCG-TM.....	78
LTV-1106.....	251	LTW-2R3D43K.....	88	LTW-206DCG-TMS.....	78
LTV-1107.....	251	LTW-2S3D8.....	87	LTW-206KRKT.....	78
LTV-1108.....	251	LTW-2S3D8-CY.....	181	LTW-206VFKT-PX.....	78
LTV-1109.....	251	LTW-2V3D13JS.....	181		
		LTW-2V3DS3.....	87	LTW-216TS5.....	49
LTV-3023.....	254	LTW-2W3DRA.....	87		

Alphanumeric Index

LTW-270TLA58	LTW-5630AQL27 187	LTW-C9301DS5.....48
LTW-295DSKS-5A.....50	LTW-5630AQL30 187	LTW-C9501DS5.....48
	LTW-5630AQL40 187	
LTW-303DCG-KB76	LTW-5630AQL50 187	LTW-K140BS47066
LTW-326DSKF-5A.....61	LTW-5630AQL57 187	LTW-K140GS525.....66
LTW-327DSKF-5A.....62	LTW-5630AQL65 187	LTW-K140OS60766
		LTW-K140RS62566
LTW-670BS470.....69	LTW-5630AZL27-EUH..... 187	LTW-K140SCGD66
LTW-670DS-EL69	LTW-5630AZL30-EUH..... 187	LTW-K140SCIB.....66
LTW-670GS52569	LTW-5630AZL40-EUH..... 187	LTW-K140SCSK66
LTW-670OS60769	LTW-5630AZL50-EUH..... 187	LTW-K140SCTF66
LTW-670RS62569	LTW-5630AZL57-EUH..... 187	LTW-K140SCVL66
LTW-670YS58769	LTW-5630AZL65-EUH..... 187	
		LTW-K140SXR85..... 185
LTW-2835AZH27 186	LTW-5630SD458..... 187	LTW-K140SZR27-EU 185
LTW-2835AZH30 186	LTW-5630SD470..... 187	LTW-K140SZR30-EU 185
LTW-2835AZH40 186	LTW-5630SD530..... 187	LTW-K140SZR40-EU 185
LTW-2835AZH50 186	LTW-5630SD590..... 187	LTW-K140SZR50-EU 185
LTW-2835AZH57 186	LTW-5630SD630..... 187	LTW-K140SZR57-EU 185
LTW-2835AZH65 186	LTW-5630SP660 187	LTW-K140SZR65-EU 185
LTW-2835AZI27 186	LTW-5630SP730 187	
LTW-2835AZI30 186	LTW-5630SP750 187	LTW-K140YS58766
LTW-2835AZI40 186		
LTW-2835AZI50 186	LTW-9301ZDS548	LTW-M140ZVS67
LTW-2835AZI57 186	LTW-9501ZDS548	LTW-M670ZVS-M5.....68
LTW-2835AZI65 186		
LTW-2835AZL27 186	LTW-C19DZDS5.....44	LTW-Q35ZRGB74
LTW-2835AZL30 186	LTW-C190DA5.....43	LTW-R4MLDGDJH23489
LTW-2835AZL40 186	LTW-C191TS543	
LTW-2835AZL50 186	LTW-C193TS542	LTW-S115KFDS-5A61
LTW-2835AZL57 186	LTW-C194TS542	LTW-S221DS59
LTW-2835AZL65 186	LTW-C195DSKS-5A.....51	LTW-S321ZDS560
		LTW-S482DS558
		LTW-S850DC560
LTW-2835SZK27 186	LTW-C230DS.....47	
LTW-2835SZK30 186	LTW-C231DS.....46	MOC3023..... 254
LTW-2835SZK40 186	LTW-C235DSKF-5A.....53	MOC3052-H..... 254
LTW-2835SZK50 186		MOC3052-L..... 254
LTW-2835SZK57 186	LTW-C250DC5.....46	MOC3063..... 254
LTW-2835SZK65 186	LTW-C255DCKF-5A53	MOC3083..... 254
LTW-2835TZN27 186	LTW-C281DS541	
LTW-2835TZN30 186	LTW-C283DS540	
LTW-2835TZN40 186	LTW-C285DSKG-5A50	
LTW-2835TZN50 186		
LTW-2835TZN57 186	LTW-C371US540	
LTW-2835TZN65 186		

Products & Solutions





Products & Solutions in Mobile & Wearable Devices

Environmental Monitoring

UV Detector

Health Care

Heart Rate Monitor / Pulse oximetry

Status Display

Indicator



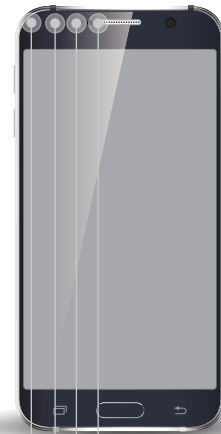
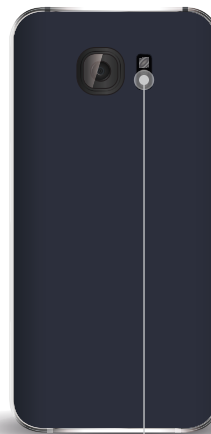
UV sensor



Health Sensor



SMD LED



Camera Flash

Illumination

Entertainment

Remote Control

Smart Adjusting

Detect Object Presence Turn On/Off Screen
Screen Brightness/Color Temperature Adjusting



Flash LED



Infrared LED



Proximity Sensor



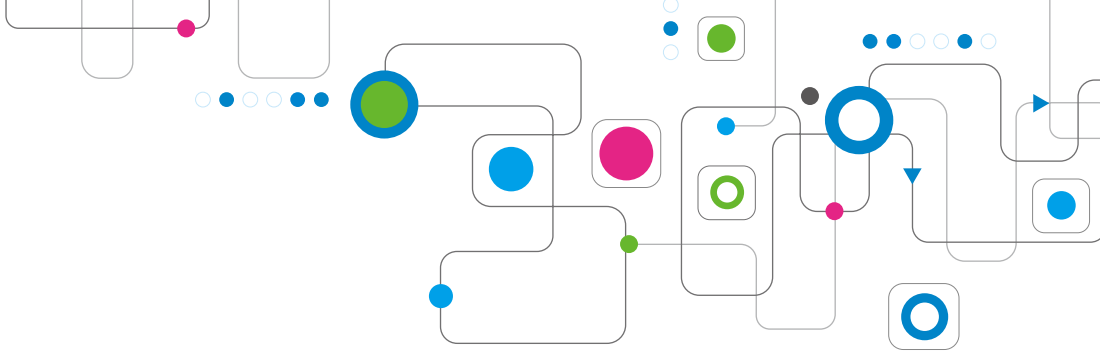
Ambient Light Sensor



RGB Sensor



Integrated Sensor (PS+ALS+IR)



Positioning

Position Tracking & Mapping

-  Infrared LED
-  Photodiode
-  SMD LED



Convenient
Gesture Recognition

Security
Iris Recognition

-  Gesture Sensor

Infrared LED





Products & Solutions in Smart Home & Appliances

Isolation

Power Supply

Power Management

Power Source

Isolation

Communication Isolation



Photocoupler



Photocoupler



Photocoupler



Obstacle Avoidance

Object Detecting



Smart Switch

Touchless Light Switch



Program Selecting

Detect Color (of Clothes)



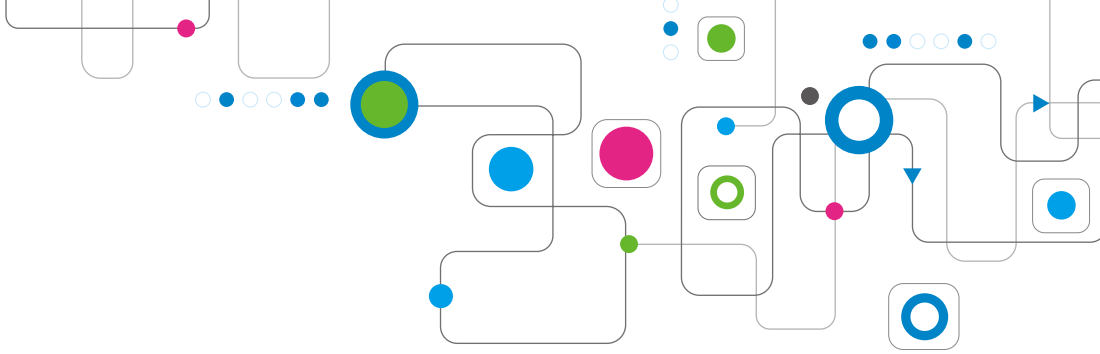
Infrared Emitter & Detector



Proximity Sensor



RGB Sensor



Status Display

Indicator



SMD LED



LED Display



LAMP



Isolation

Inverter / Motor Control

Convenient

Remote Control



Photocoupler



Infrared Emitter



Products & Solutions in Automotive

CHMSL



Piranha



PLCC Top View LED

Side Turn Indicator



PLCC 4/6 Top View LED



RCL (Rear Combination Light)



PLCC 4/6 Top View LED

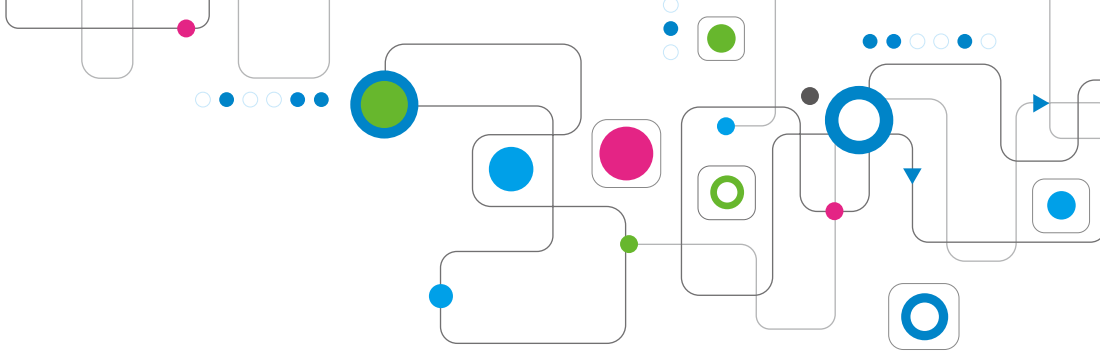


High Power LED

Light Sensing



Ambient Light Sensor



**Headlight
(High/Low Beam)**

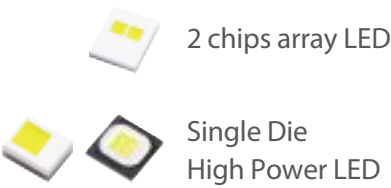
**Daytime Running
Light / Front Position**



Decorative/ Ambient Light
Dashboard Lights
Interior Lighting/ Reading Light

Front Fog Light

Interior Lighting





Products & Solutions in Industrial

Protection

Isolation



Photocoupler



Status Display

Status Display



SMD LED



High Power LED

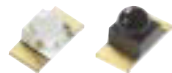


LED Display

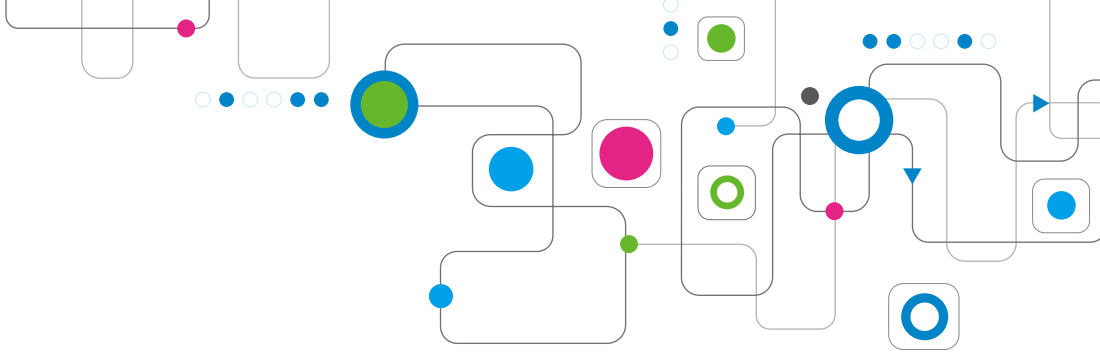


Safety Guards

Object Detecting



Infrared Emitter and Detector



Isolation

Signal Isolation



Photocoupler



Isolation

Inverter / Motor Control



Transmission

Data Communication



Photocoupler



Infrared Emitter and Detector



Products & Solutions in Surveillance & Security

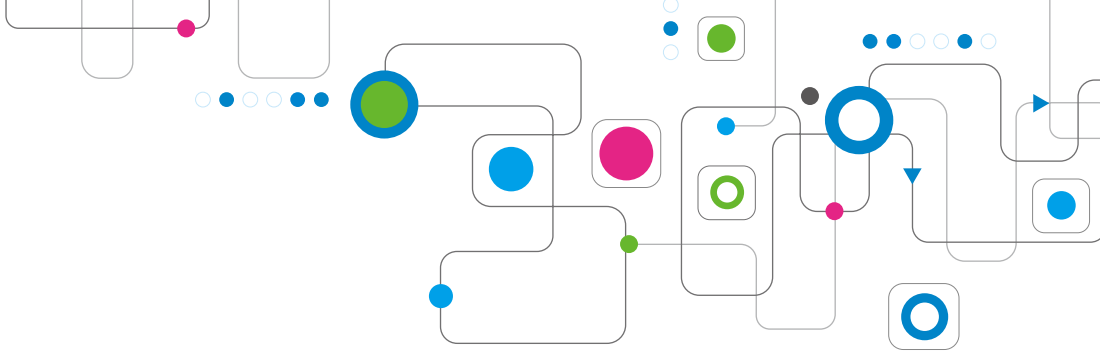


Night Vision Assistance

Illumination



Infrared LED

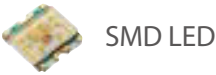


Status Display

Indicator

Smart Switch

Touchless Light Switch



SMD LED



Proximity Sensor



Detection

Detecting Particles

Security

Facial & Iris Recognition



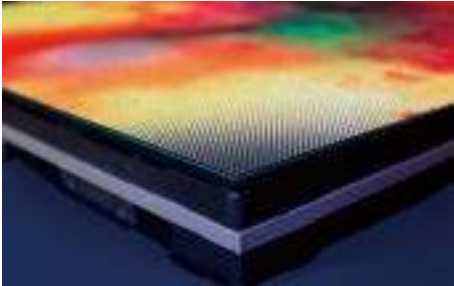
IR Emitter & Detector

Infrared LED





Products & Solutions in Signage & Street Lighting



Indoor

P2.5

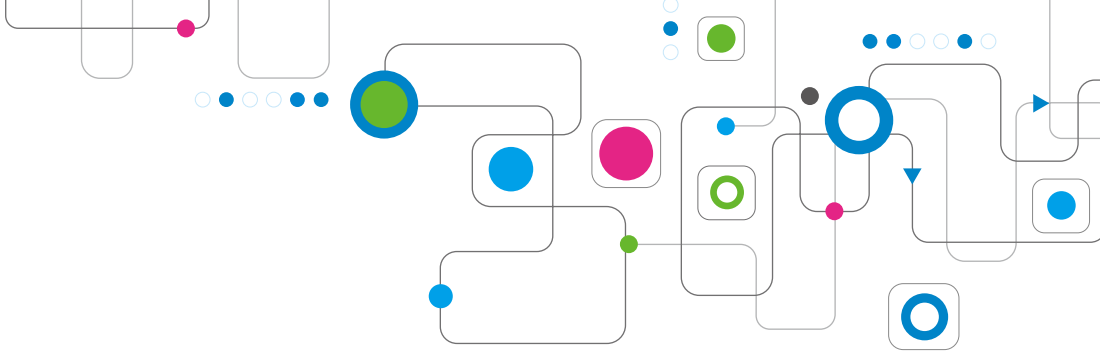
Fine Pitch

SMD Chip LED



SMD LED PLCC 2/4/6





Outdoor



P12

Pure outdoor

Through Hole Lamp



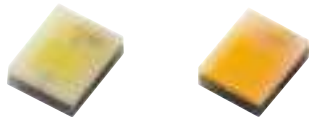
High Power White LED



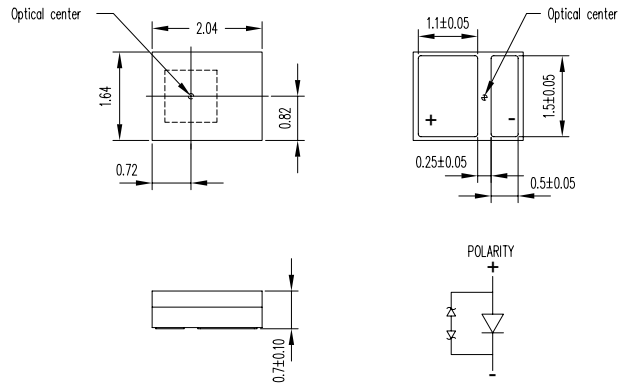


| Flash LED

Flash LED_2016 Package



2.0 x 1.6 x 0.7 mm

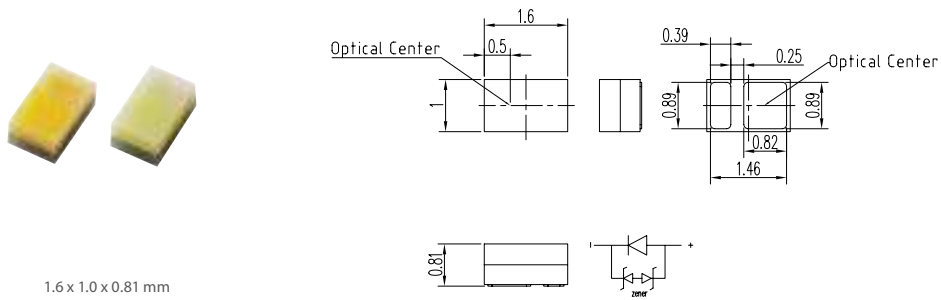


Part No.	Correlated color temperature (K)	CRI	Typ. Luminous Flux Φ_v (lm)	View Angle $2\theta_{1/2}$	Typ. Forward Voltage V_f (V)	Forward Current I_f^* (mA)	Thermal Resistance $R_{th(j-s)}$ (°C/W)	Peak Pulsed Forward Current I_f^{**} (mA)	Max. Junction Temperature T_j (°C)	Operating Temperature Range (°C)
LTPL-C0678WPYB	5000~6000K	NCRI	320	120	3.4	1000	3	1500	125	-40~85
LTPL-C0677WPYB	5000~6000K	NCRI	300	120	3.4	1000	4	1500	125	-40~85
LTPL-C0675WPYB	5000~6000K	NCRI	260	120	3.4	1000	7	1500	125	-40~85
LTPL-C0673WPYB	5000~6000K	NCRI	240	120	3.4	1000	8	1500	125	-40~85
LTPL-C0677WPRB	2000~2500K	NCRI	230	120	3.4	1000	5	1500	125	-40~85
LTPL-C0675WPRB	2000~2500K	NCRI	200	120	3.4	1000	8	1500	125	-40~85
LTPL-C0677WPGb	5000~6000K	80	270	120	3.4	1000	4	1500	125	-40~85
LTPL-C0675WPGb	5000~6000K	80	220	120	3.4	1000	7	1500	125	-40~85
LTPL-C0677WPHb	5000~6000K	90	240	120	3.4	1000	3	1500	125	-40~85

* Electro-optical testing conducted in single pulse mode, $T_{ON}=300ms$, $I_f=1000mA$

** Peak pulsed forward current applies to 50ms:on, 950ms: Off, D: 0.05

Flash LED_1610 Package



1.6 x 1.0 x 0.81 mm

Part No.	Correlated color temperature (K)	Typ. Luminous Flux Φ_v (lm)	View Angle $2\theta_{1/2}$	Typ. Forward Voltage V_f (V)	Forward Current I_f^* (mA)	Thermal Resistance $R_{th(j-s)}$ ($^{\circ}C/W$)	Peak Pulsed Forward Current I_f^{**} (mA)	Max. Junction Temperature T_j ($^{\circ}C$)	Operating Temperature Range ($^{\circ}C$)
LTPL-C095WPGE	4500~5500	80	120	3.1	350	10	1000	125	-40~85
LTPL-C095WPYB	5000~6000	220	120	3.4	1000	10	1000	125	-40~85
LTPL-C095WPRB	2000~2500	180	120	3.4	1000	10	1000	125	-40~85

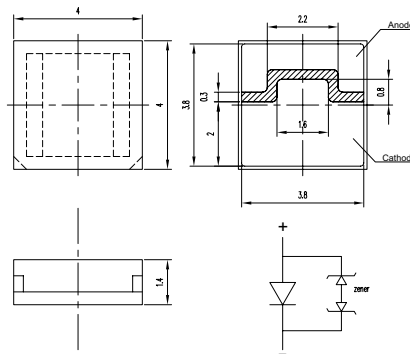
* Electro-optical testing conducted in single pulse mode, $T_{ON}=300ms$, $I_f=1000mA$

** Peak pulsed forward current applies to 400ms:on, 3600ms: Off, D: 0.1

Flash LED_Module Type



4.0 x 4.0 x 1.4 mm

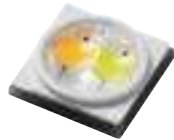


Part No.	Correlated color temperature (K)	Typ. Luminous Flux Φ_v (lm)	View Angle $2\theta_{1/2}$	Typ. Forward Voltage V_f (V)	Forward Current I_f^* (mA)	Thermal Resistance $R_{th(j-s)}$ ($^{\circ}C/W$)	Peak Pulsed Forward Current I_f^{**} (mA)	Max. Junction Temperature T_j ($^{\circ}C$)	Operating Temperature Range ($^{\circ}C$)
LTPL-C0685WCGB	4500~6000K	200	75/55	3.5	1000	15	1500	140	-40~85

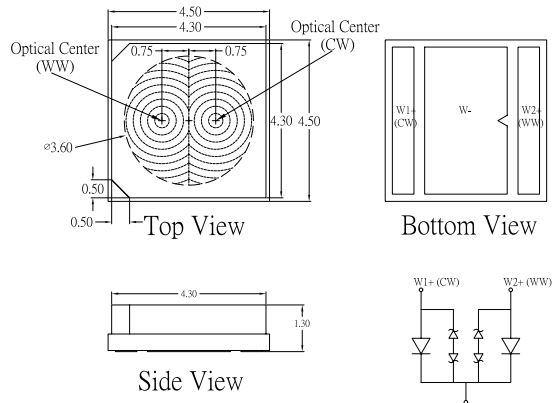
* Electro-optical testing conducted in single pulse mode, $T_{ON}=300ms$, $I_f=1000mA$

** Peak pulsed forward current applies to 50ms:on, 950ms: Off, D: 0.05

Flash LED_Module Type



4.5 x 4.5 x 1.3 mm

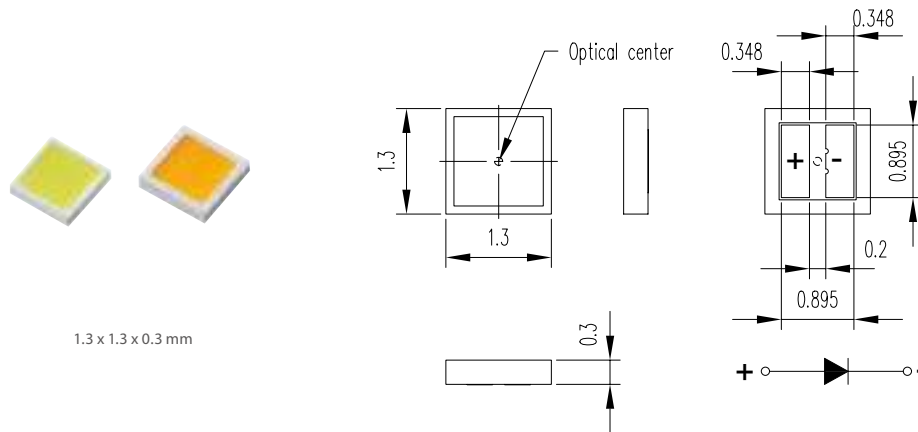


Part No.	Correlated color temperature (K)	Typ. Luminous Flux Φ_v (lm)	View Angle $2\theta_{1/2}$	Typ. Forward Voltage V_F (V)	Forward Current I_F^* (mA)	Thermal Resistance $R_{th(j-s)}$ ($^{\circ}C/W$)	Peak Pulsed Forward Current I_F^{**} (mA)	Max. Junction Temperature T_j ($^{\circ}C$)	Operating Temperature Range ($^{\circ}C$)
LTPL-C0695DAYD	5000~6000K	210	83	3.4	1000	10	1500	140	-40~85
	2000~2500K	160							

* Electro-optical testing conducted in single pulse mode, $T_{ON}=300ms$, $I_F=1000mA$

** Peak pulsed forward current applies to 50ms: on, 950ms: Off, D: 0.05

Flash LED_CSP Type

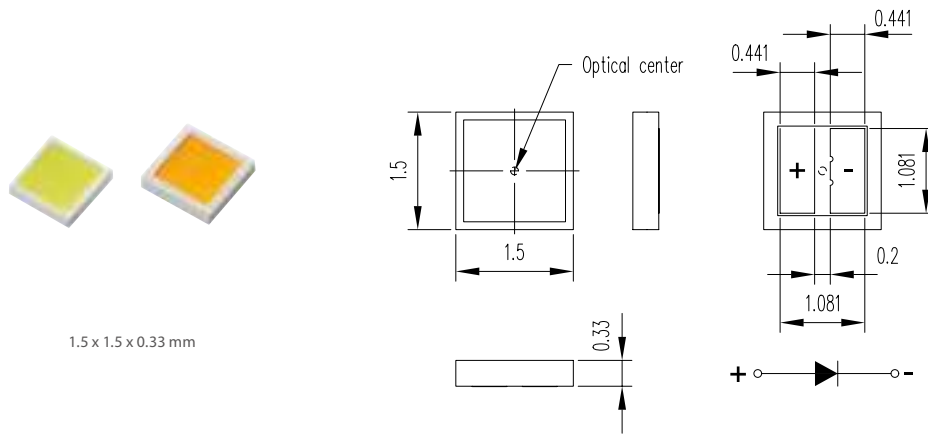


Part No.	Correlated color temperature (K)	Typ. Luminous Flux Φ_v (lm)	View Angle $2\theta_{1/2}$	Typ. Forward Voltage V_F (V)	Forward Current I_F^* (mA)	Thermal Resistance $R_{th(j-s)}$ ($^{\circ}\text{C}/\text{W}$)	Peak Pulsed Forward Current I_F^{**} (mA)	Max. Junction Temperature T_J ($^{\circ}\text{C}$)	Operating Temperature Range ($^{\circ}\text{C}$)
LTPL-A136DWAYB	5000~6000K	270	120	3.4	1000	2.4	1500	125	-40~85
LTPL-A133DWARB	2000~2500K	190	120	3.4	1000	2.4	1500	125	-40~85

* Electro-optical testing conducted in single pulse mode, $T_{ON}=300\text{ms}$, $I_F=1000\text{mA}$

** Peak pulsed forward current applies to 400ms:on, 3600ms: Off, D: 0.1

Flash LED_CSP Type



Part No.	Correlated color temperature (K)	Typ. Luminous Flux Φ_v (lm)	View Angle $2\theta_{1/2}$	Typ. Forward Voltage V_F (V)	Forward Current I_F^* (mA)	Thermal Resistance $R_{th(j-s)}$ ($^{\circ}C/W$)	Peak Pulsed Forward Current I_F^{**} (mA)	Max. Junction Temperature T_J ($^{\circ}C$)	Operating Temperature Range ($^{\circ}C$)
LTPL-A157DWFYB	5000~6000K	300	120	3.4	1000	2	1500	125	'-40~85
LTPL-A155DWFWB	2000~2500K	240	120	3.4	1000	2	1500	125	'-40~85

* Electro-optical testing conducted in single pulse mode, $T_{ON}=300ms$, $I_F=1000mA$

** Peak pulsed forward current applies to 400ms: on, 3600ms: Off, D: 0.1

Flash LED

SMD LED

Through Hole Lamp

LED Display

Automotive LED

Signage LED

Lighting LED

Infrared Emitter and Detector

Optical Sensors

Photocoupler

UV LED

SMD LED

SMD Product Quick View Table

Chip LED_Top view

Color	Single color								
Product Type	General						Reverse Mount		
Dimension (mm)	0.6x0.3	1.0x0.8	1.6x0.8	1.6x0.9	2.0x1.25	2.0x1.25	3.2x0.8	3.2x1.2	3.2x1.6
2.4t									
1.85t									
1.1t					C170	C150			C230
0.98t									
0.85t									
0.8t			C190		C171			C250	
0.75t				C19D					
0.7t							C231		
0.65t									
0.6t									
0.55t			C191						
0.5t									
0.4t									
0.35t	C371	C281	C193						
0.3t			C194						
0.2t		C283	C198						

I= individual Circuit A=Common Anode C=Common Cathode * Please refer to Signage LED

Color	Single color				Dual Color						Multi Color				
	Product Type	Dome Lens		Inner Lens	General				Reverse Mount	General					
Dimension (mm)	1.6x0.8	3.2x1.6	3.2x2.4	3.2x1.6	1.0x0.5	1.6x0.8	1.6x1.25	1.6x1.5	3.2x2.7	3.2x1.2	3.2x1.6	0.8x0.8	1.0x1.0	1.6x1.6	1.6x2.1
2.4t				C930											
1.85t				C950											
1.1t									C155		C235				
0.98t	C990														
0.85t															
0.8t										C255					
0.75t															
0.7t									C197						
0.65t												*B68J (A)	*B32J (A)		
0.6t				C216											
0.55t						C295	C395	C195							C19F (A)
0.5t													B28J (A)	C19J C19M (I)	
0.4t															C19G (A)
0.35t						C285									C19H (A) C19K (I)
0.3t															
0.2t															C28N

I= individual Circuit A=Common Anode C=Common Cathode * Please refer to Signage LED

SMD Product Quick View Table

Chip LED_Side View

Color	Single Color					Dual Color			Multi Color		
Product Type	General					Reflector	General		General		
Dimension (mm)	1.6x1.15	1.8x1.0	2.1x1.0	3.2x1.5	3.2x2.0	1.4x0.8	3.2x1.5	3.2x2.0	3.0x1.0	3.2x1.5	3.2x2.0
1.0t				S110	S320		S115(A)	S326(A) S327(C)		S310(A) S311(C)	S32F(A)
0.6t	S270		S220						S33G(A)		
0.5t											
0.4t						S850			S33F(A) S43F(C)		
0.3t		S482									

A=Common Anode C=Common Cathode

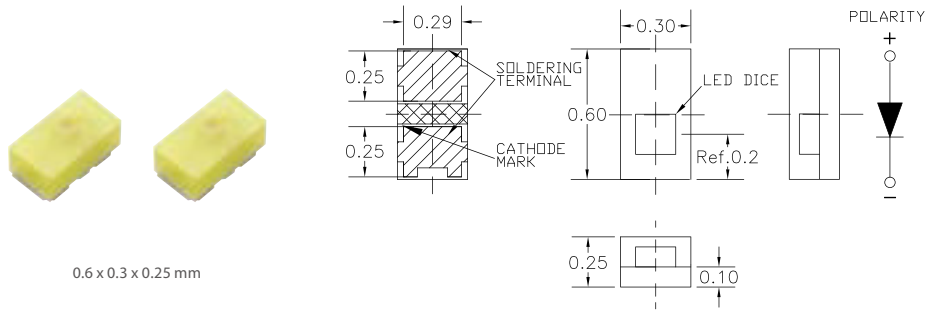
PLCC_Top View

Color	Single Color							Dual Color		Multi Color				
Dimension (mm)	2.0x1.6	2.3x1.4	2.7x1.4	3.0x1.4	3.0x2.0	3.5x2.8	5.6x3.0	6.2x2.8	3.5x2.8	3.5x2.8	3.5x3.2	5.4x5.0	6.2x2.8	7.4x5.0
1.9t						T680/670 (PLCC2) E680 (PLCC4)	F680	E682					A683	
1.6t												G563		
1.3t		M230			M670					G683				P033
1.2t				M140										
0.9t							5630							
0.8t			K140											
0.65t											Q35			
0.55t	C0610													
0.3t														

PLCC_Side View

Color	Single Color				Dual Color		Multi Color	
Dimension (mm)	2.8x1.2	3.0x0.85	3.8x1.0	3.8x1.2	4.5x1.25	4.5x1.0	4.5x1.25	
0.8t	108 008					008	008	
0.6t			206	020 006			006	
0.4t			010					
0.35t		303						

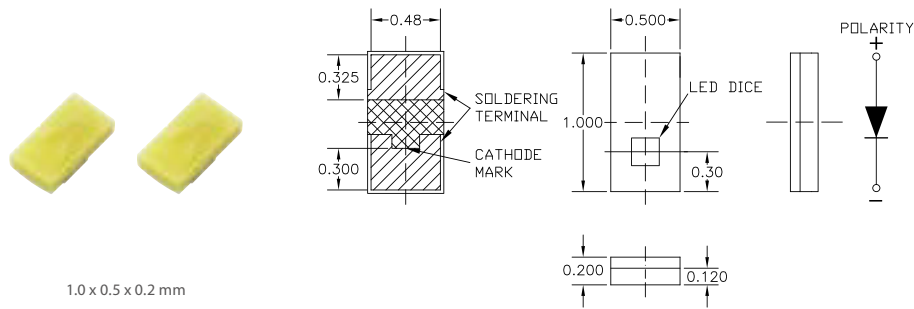
Chip LED_Top View



0.6 x 0.3 x 0.25 mm

Part No.	Color	λ_d (nm)/CIE(x,y)	Typ. Luminous Intensity I_v (mcd)	View Angle $2\theta_{1/2}$	Typ. Forward Voltage V_f (V)	Forward Current I_f (mA)
LTST-C371KRKT	■ Red	631	60	130	2.0	20
LTST-C371KFKT	■ Orange	605	90	130	2.0	20
LTST-C371KSKT	■ Yellow	589	50	130	2.0	20
LTST-C371KGKT	■ Yellow Green	571	35	130	2.0	20
LTST-C371JGKT	■ True Green	525	150	130	3.3	20
LTST-C371JBKT	■ Blue	470	50	130	3.3	20
LTW-C371USS	■ White	(0.304, 0.301)	112	130	2.9	5

Chip LED_Top View



1.0 x 0.5 x 0.2 mm

Part No.	Color	λ_d (nm)/CIE(x,y)	Typ. Luminous Intensity I_v (mcd)	View Angle $2\theta_{1/2}$	Typ. Forward Voltage V_f (V)	Forward Current I_f (mA)
LTST-C283KRKT-5A	■ Red	631	60	130	2.0	5
LTST-C283KFKT-5A	■ Orange	605	90	130	2.0	5
LTST-C283KSKT-5A	■ Yellow	589	50	130	2.0	5
LTST-C283KGKT-5A	■ Yellow Green	571	35	130	2.0	5
LTST-C283TGKT-5A	■ True Green	525	150	130	2.9	5
LTST-C283TBKT-5A	■ Blue	470	50	130	2.9	5
LTW-C283DS5	■ White	(0.304, 0.301)	112	130	2.9	5

Flash LED

SMD LED

Through Hole Lamp

LED Display

Automotive LED

Signage LED

Lighting LED

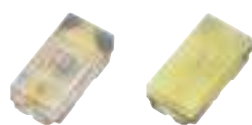
Infrared Emitter and Detector

Optical Sensors

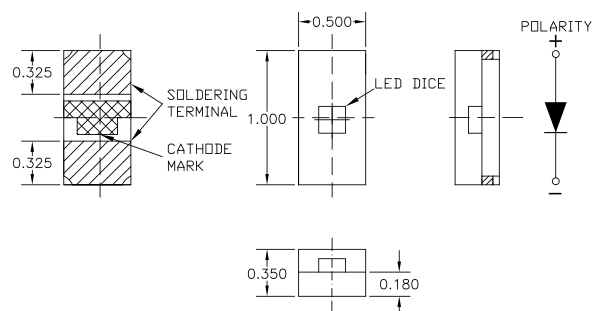
Photocoupler

UV LED

Chip LED_Top View

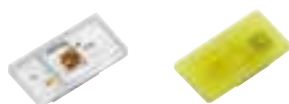


1.0 x 0.8 x 0.35 mm

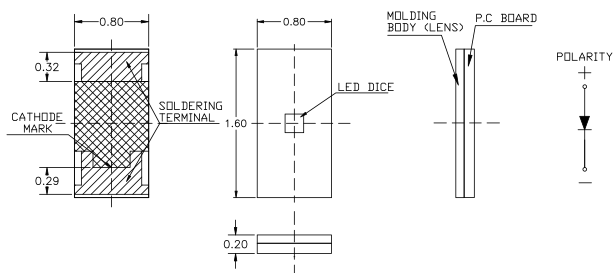


Part No.	Color	λ_d (nm)/CIE(x,y)	Typ. Luminous Intensity I_v (mcd)	View Angle $2\theta_{1/2}$	Typ. Forward Voltage V_f (V)	Forward Current I_f (mA)
LTST-C281KRKT-5A	■ Red	631	11.2	130	1.9	5
LTST-C281KFKT-5A	■ Orange	605	28	130	1.9	5
LTST-C281KSKT-5A	■ Yellow	589	18	130	1.9	5
LTST-C281KGKT-5A	■ Yellow Green	571	7.1	130	1.9	5
LTST-C281TGKT-5A	■ True Green	525	71	130	2.9	5
LTST-C281TBKT-5A	■ Blue	470	28	130	2.9	5
LTW-C281DS5	■ White	(0.304, 0.301)	112	130	2.9	5

Chip LED_Top View

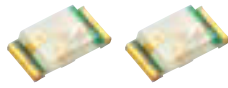


1.6 x 0.8 x 0.2 mm

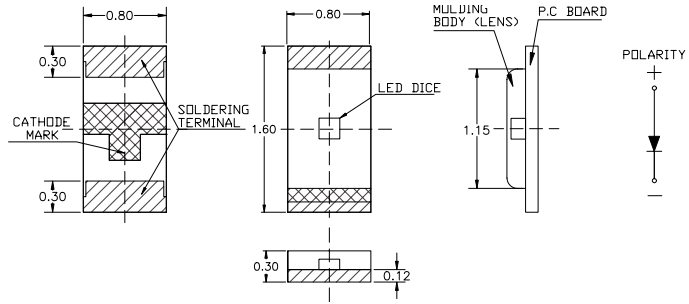


Part No.	Color	λ_d (nm)/CIE(x,y)	Typ. Luminous Intensity I_v (mcd)	View Angle $2\theta_{1/2}$	Typ. Forward Voltage V_f (V)	Forward Current I_f (mA)
LTST-C198KRKT	■ Red	631	60	130	2.0	20
LTST-C198KFKT	■ Orange	605	90	130	2.0	20
LTST-C198KSKT	■ Yellow	589	50	130	2.0	20
LTST-C198KGKT	■ Yellow Green	571	35	130	2.0	20
LTST-C198TGKT	■ True Green	525	150	130	3.3	20
LTST-C198TBKT	■ Blue	470	50	130	3.3	20
LTW-198ZDS5	■ White	(0.31, 0.33)	180	130	2.9	5

Chip LED_Top View

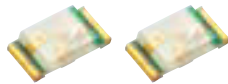


1.6 x 0.8 x 0.3 mm

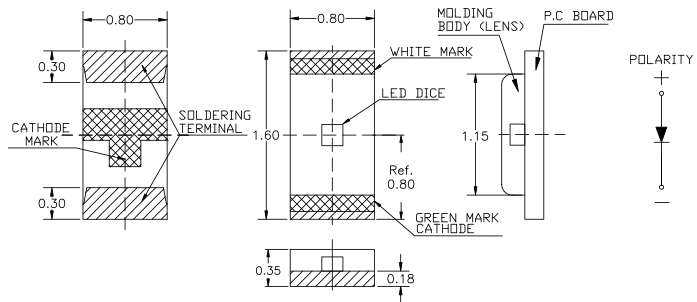


Part No.	Color	$\lambda_d(\text{nm})/\text{CIE}(x,y)$	Typ. Luminous Intensity $I_v(\text{mcd})$	View Angle $2\theta_{1/2}$	Typ. Forward Voltage $V_f(\text{V})$	Forward Current $I_f(\text{mA})$
LTST-C194KRKT	■ Red	631	60	130	2.0	20
LTST-C194KFKT	■ Orange	605	90	130	2.0	20
LTST-C194KSKT	■ Yellow	589	50	130	2.0	20
LTST-C194KGKT	■ Yellow Green	571	35	130	2.0	20
LTST-C194TGKT	■ True Green	525	150	130	3.3	20
LTST-C194TBKT	■ Blue	470	50	130	3.3	20
LTW-C194TS5	■ White	(0.294, 0.286)	100	130	2.9	5

Chip LED_Top View



1.6 x 0.8 x 0.35 mm



Part No.	Color	$\lambda_d(\text{nm})/\text{CIE}(x,y)$	Typ. Luminous Intensity $I_v(\text{mcd})$	View Angle $2\theta_{1/2}$	Typ. Forward Voltage $V_f(\text{V})$	Forward Current $I_f(\text{mA})$
LTST-C193KRKT-5A	■ Red	631	11.2	130	1.9	5
LTST-C193KFKT-5A	■ Orange	605	28	130	1.9	5
LTST-C193KSKT-5A	■ Yellow	589	18	130	1.9	5
LTST-C193KGKT-5A	■ Yellow Green	571	7.1	130	1.9	5
LTST-C193TGKT-5A	■ True Green	525	71	130	2.9	5
LTST-C193TBKT-5A	■ Blue	470	15	130	2.9	5
LTW-C193TS5	■ White	(0.294, 0.286)	112	130	2.9	5

Flash LED

SMD LED

Through Hole Lamp

LED Display

Automotive LED

Signage LED

Lighting LED

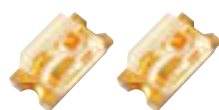
Infrared Emitter and Detector

Optical Sensors

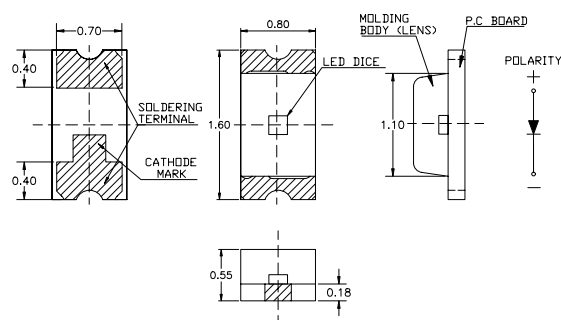
Photocoupler

UV LED

Chip LED_Top View

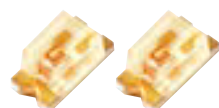


1.6 x 0.8 x 0.55 mm

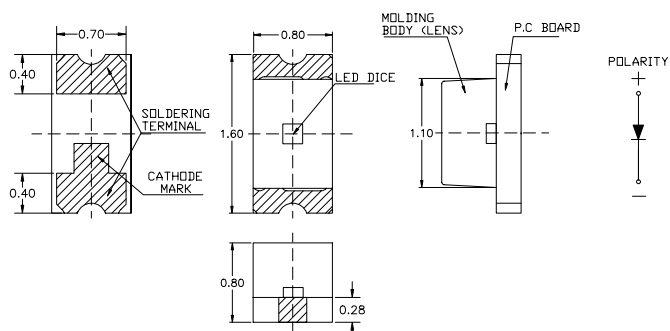


Part No.	Color	λ_d (nm)/CIE(x,y)	Typ. Luminous Intensity I_v (mcd)	View Angle $2\theta_{1/2}$	Typ. Forward Voltage V_f (V)	Forward Current I_f (mA)
LTST-C191KRKT	■ Red	631	60	130	2.0	20
LTST-C191KFKT	■ Orange	605	90	130	2.0	20
LTST-C191KSKT	■ Yellow	589	50	130	2.0	20
LTST-C191KGKT	■ Yellow Green	571	35	130	2.0	20
LTST-C191TGKT	■ True Green	525	150	130	3.3	20
LTST-C191TBKT	■ Blue	470	50	130	3.3	20
LTW-C191TSS	■ White	(0.294, 0.286)	112	130	2.9	5

Chip LED_Top View

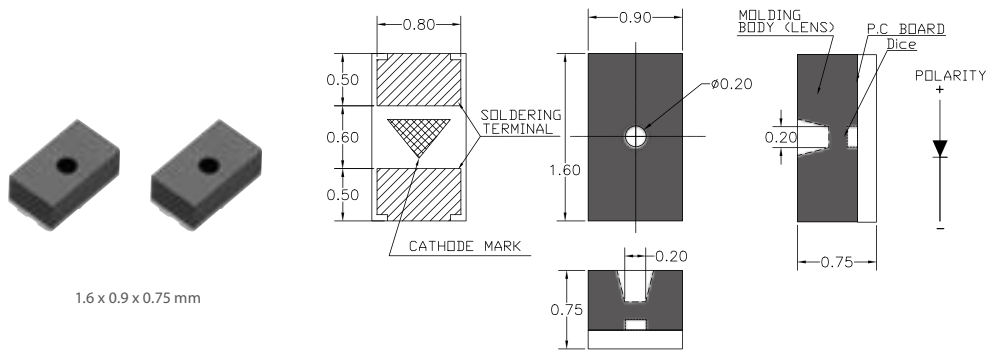


1.6 x 0.8 x 0.8 mm



Part No.	Color	λ_d (nm)/CIE(x,y)	Typ. Luminous Intensity I_v (mcd)	View Angle $2\theta_{1/2}$	Typ. Forward Voltage V_f (V)	Forward Current I_f (mA)
LTST-C190KRKT	■ Red	631	60	130	2.0	20
LTST-C190KFKT	■ Orange	605	90	130	2.0	20
LTST-C190KSKT	■ Yellow	589	50	130	2.0	20
LTST-C190KGKT	■ Yellow Green	571	35	130	2.0	20
LTST-C190TGKT	■ True Green	525	150	130	3.3	20
LTST-C190TBKT	■ Blue	470	50	130	3.3	20
LTW-C190DA5	■ White	(0.203, 0.319)	112	130	2.9	5

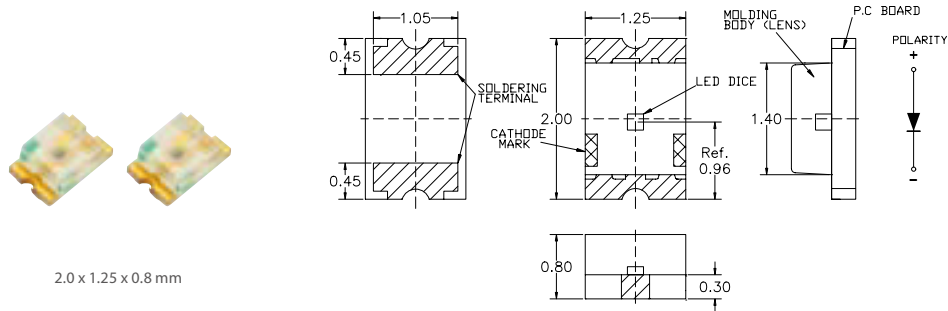
Chip LED_Top View



1.6 x 0.9 x 0.75 mm

Part No.	Color	λ_d (nm)/CIE(x,y)	Typ. Luminous Intensity I_v (mcd)	View Angle $2\theta_{1/2}$	Typ. Forward Voltage V_f (V)	Forward Current I_f (mA)
LTST-C19DKRKT	■ Red	631	18	50	2.0	20
LTST-C19DKFKT	■ Orange	605	16	50	2.0	20
LTST-C19DKSKT	■ Yellow	589	18	50	2.0	20
LTST-C19DTGKT	■ True Green	525	100	50	2.8	20
LTW-C19DZDS5	■ White	(0.27, 0.26)	30	50	2.8	5

Chip LED_Top View



2.0 x 1.25 x 0.8 mm

Part No.	Color	λ_d (nm)/CIE(x,y)	Typ. Luminous Intensity I_v (mcd)	View Angle $2\theta_{1/2}$	Typ. Forward Voltage V_f (V)	Forward Current I_f (mA)
LTST-C171KRKT	■ Red	631	60	130	2.0	20
LTST-C171KFKT	■ Orange	605	90	130	2.0	20
LTST-C171KSKT	■ Yellow	589	50	130	2.0	20
LTST-C171KKGKT	■ Yellow Green	571	35	130	2.0	20
LTST-C171TGKT	■ True Green	525	180	130	3.3	20
LTST-C171TBKT	■ Blue	470	50	130	3.3	20

Flash LED

SMD LED

Through Hole Lamp

LED Display

Automotive LED

Signage LED

Lighting LED

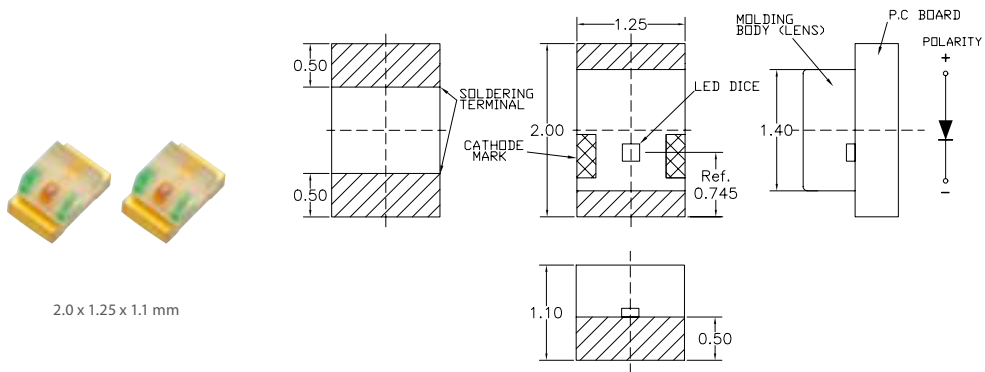
Infrared Emitter and Detector

Optical Sensors

Photocoupler

UV LED

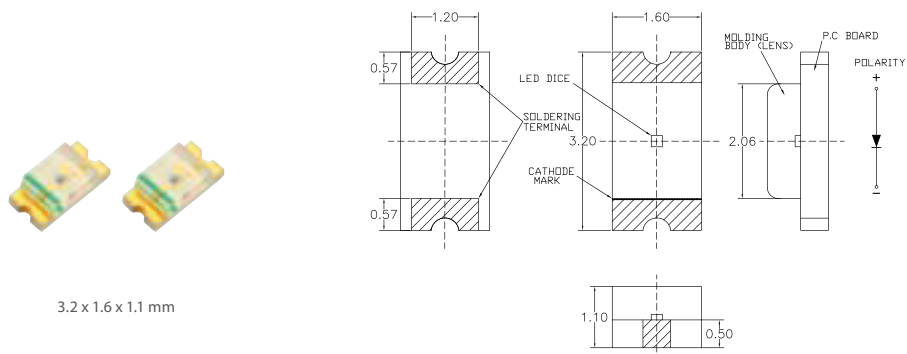
Chip LED_Top View



2.0 x 1.25 x 1.1 mm

Part No.	Color	$\lambda_d(\text{nm})/\text{CIE}(x,y)$	Typ. Luminous Intensity $I_v(\text{mcd})$	View Angle $2\theta_{1/2}$	Typ. Forward Voltage $V_f(\text{V})$	Forward Current $I_f(\text{mA})$
LTST-C170KRKT	■ Red	631	60	130	2.0	20
LTST-C170KFKT	■ Orange	605	90	130	2.0	20
LTST-C170KSKT	■ Yellow	589	50	130	2.0	20
LTST-C170KGKT	■ Yellow Green	571	35	130	2.0	20
LTST-C170TGKT	■ True Green	525	180	130	3.3	20
LTST-C170TBKT	■ Blue	470	50	130	3.3	20
LTW-170ZDC	■ White	(0.30, 0.30)	280	130	3.3	20

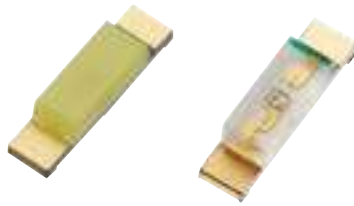
Chip LED_Top View



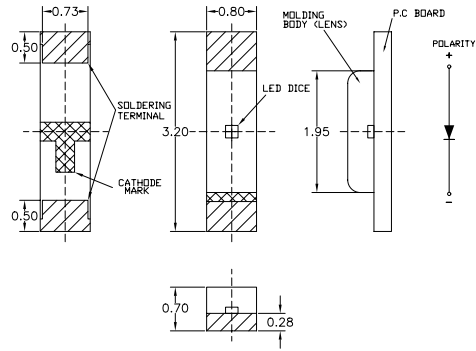
3.2 x 1.6 x 1.1 mm

Part No.	Color	$\lambda_d(\text{nm})/\text{CIE}(x,y)$	Typ. Luminous Intensity $I_v(\text{mcd})$	View Angle $2\theta_{1/2}$	Typ. Forward Voltage $V_f(\text{V})$	Forward Current $I_f(\text{mA})$
LTST-C150KRKT	■ Red	631	60	130	2.0	20
LTST-C150KFKT	■ Orange	605	90	130	2.0	20
LTST-C150KSKT	■ Yellow	589	50	130	2.0	20
LTST-C150KGKT	■ Yellow Green	571	35	130	2.0	20
LTST-C150TGKT	■ True Green	525	150	130	3.3	20
LTST-C150TBKT	■ Blue	470	50	130	3.3	20
LTW-150ZDS5	■ White	(0.31, 0.32)	112	130	2.9	5

Chip LED_Top View_Reverse Mount



3.2 x 0.8 x 0.7 mm

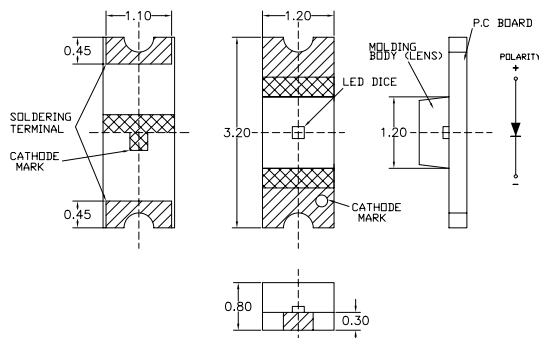


Part No.	Color	λ_d (nm)/CIE(x,y)	Typ. Luminous Intensity I_v (mcd)	View Angle $2\theta_{1/2}$	Typ. Forward Voltage V_f (V)	Forward Current I_f (mA)
LTST-C231KRKT	■ Red	631	60	130	2.0	20
LTST-C231KFKT	■ Orange	605	90	130	2.0	20
LTST-C231KSKT	■ Yellow	589	50	130	2.0	20
LTST-C231KGKT	■ Yellow Green	571	35	130	2.0	20
LTST-C231TGKT	■ True Green	525	150	130	3.3	20
LTST-C231TBKT	■ Blue	470	50	130	3.3	20
LTW-C231DS	■ White	(0.31, 0.32)	280	130	3.3	20

Chip LED_Top View_Reverse Mount



3.2 x 1.2 x 0.8 mm



Part No.	Color	λ_d (nm)/CIE(x,y)	Typ. Luminous Intensity I_v (mcd)	View Angle $2\theta_{1/2}$	Typ. Forward Voltage V_f (V)	Forward Current I_f (mA)
LTST-C250KRKT	■ Red	631	60	130	2.0	20
LTST-C250KFKT	■ Orange	605	90	130	2.0	20
LTST-C250KSKT	■ Yellow	589	50	130	2.0	20
LTST-C250KGKT	■ Yellow Green	571	35	130	2.0	20
LTST-C250TGKT	■ True Green	525	150	130	3.3	20
LTST-C250TBKT	■ Blue	470	50	130	3.3	20
LTW-C250DC5	■ White	(0.28, 0.27)	112	130	2.9	5

Flash LED

SMD LED

Through Hole Lamp

LED Display

Automotive LED

Signage LED

Lighting LED

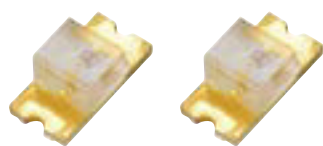
Infrared Emitter and Detector

Optical Sensors

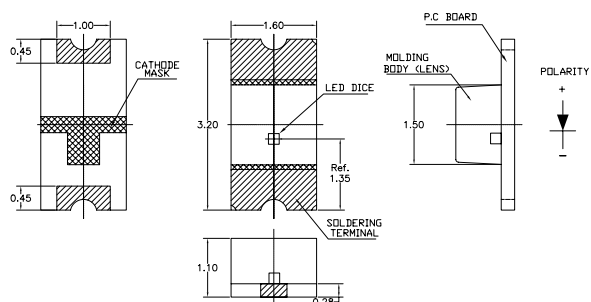
Photocoupler

UV LED

Chip LED_Top View_Reverse Mount



3.2 x 1.6 x 1.1 mm

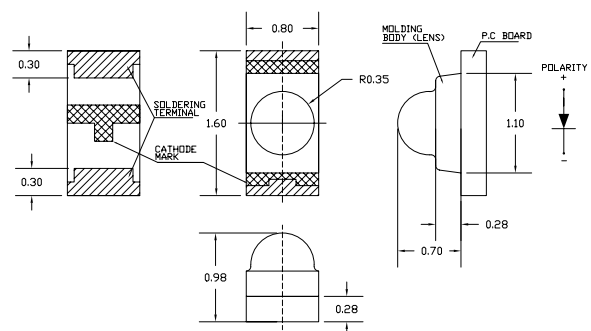


Part No.	Color	λ_d (nm)/CIE(x,y)	Typ. Luminous Intensity Iv(mcd)	View Angle $2\theta_{1/2}$	Typ. Forward Voltage V_f (V)	Forward Current I_f (mA)
LTST-C230KRKT	■ Red	631	60	130	2.0	20
LTST-C230KFKT	■ Orange	605	90	130	2.0	20
LTST-C230KSKT	■ Yellow	589	50	130	2.0	20
LTST-C230KGKT	■ Yellow Green	571	35	130	2.0	20
LTST-C230TGKT	■ True Green	525	150	130	3.3	20
LTST-C230TBKT	■ Blue	470	50	130	3.3	20
LTW-C230DS	■ White	(0.294, 0.286)	280	130	3.3	20

Chip LED_Top View_Dome Lens

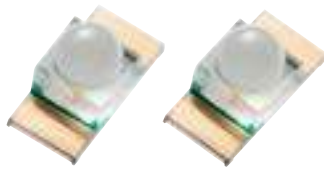


1.6 x 0.8 x 0.98 mm

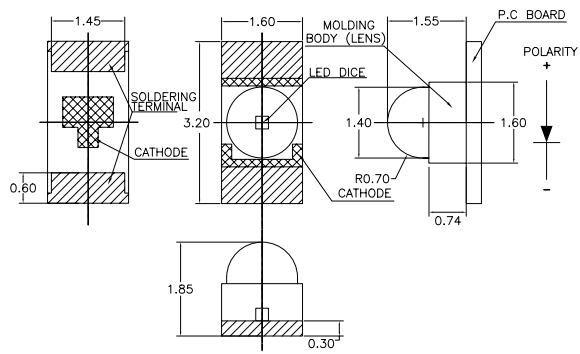


Part No.	Color	λ_d (nm)/CIE(x,y)	Typ. Luminous Intensity Iv(mcd)	View Angle $2\theta_{1/2}$	Typ. Forward Voltage V_f (V)	Forward Current I_f (mA)
LTST-C990KRKT	■ Red	631	450	75	2.0	20
LTST-C990KFKT	■ Orange	605	300	75	2.0	20
LTST-C990KSKT	■ Yellow	589	280	75	2.0	20
LTST-C990KGKT	■ Yellow Green	571	250	75	2.0	20
LTST-C990TGKT	■ True Green	525	1800	75	3.3	20
LTST-C990TBKT	■ Blue	470	700	75	3.3	20

Chip LED _Top View _Dome Lens



3.2 x 1.6 x 1.85 mm

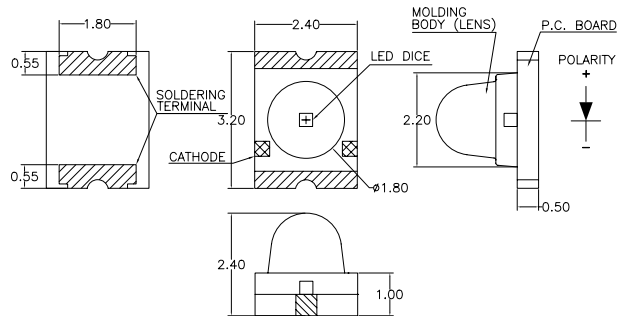


Part No.	Color	λ_d (nm)/CIE(x,y)	Iv Typ. @20mA (mcd)	View Angle $2\theta_{1/2}$	Typ. Forward Voltage V_f (V)	Forward Current I_f (mA)
LTST-C950KRKT	■ Red	631	900	25	2.0	20
LTST-C950KFKT	■ Orange	605	1800	25	2.0	20
LTST-C950KSKT	■ Yellow	589	1800	25	2.0	20
LTST-C950KGKT	■ Yellow Green	571	710	25	2.0	20
LTST-C950TGKT	■ True Green	525	2800	25	3.3	20
LTST-C950TBKT	■ Blue	470	1120	25	3.3	20
LTW-C9501DS5	■ White	(0.294, 0.286)	1000	25	2.8	5
LTW-9501ZDS5	■ White	(0.294, 0.286)	1000	25	2.8	5

Chip LED _Top View _Dome Lens



3.2 x 2.4 x 2.4 mm



Part No.	Color	λ_d (nm)/CIE(x,y)	Typ. Luminous Intensity Iv (mcd)	View Angle $2\theta_{1/2}$	Typ. Forward Voltage V_f (V)	Forward Current I_f (mA)
LTST-C930KRKT	■ Red	631	850	25	2.0	20
LTST-C930KFKT	■ Orange	605	1200	25	2.0	20
LTST-C930KSKT	■ Yellow	589	800	25	2.0	20
LTST-C930KGKT	■ Yellow Green	571	600	25	2.0	20
LTST-C930TGKT	■ True Green	525	2000	25	3.3	20
LTST-C930TBKT	■ Blue	470	450	25	3.3	20
LTW-C9301DS5	■ White	(0.294, 0.286)	1600	25	2.8	5
LTW-9301ZDS5	■ White	(0.294, 0.286)	1600	25	2.8	5

Flash LED

SMD LED

Through Hole Lamp

LED Display

Automotive LED

Signage LED

Lighting LED

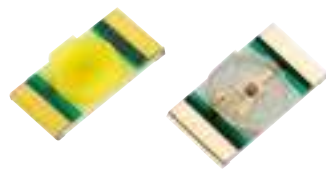
Infrared Emitter and Detector

Optical Sensors

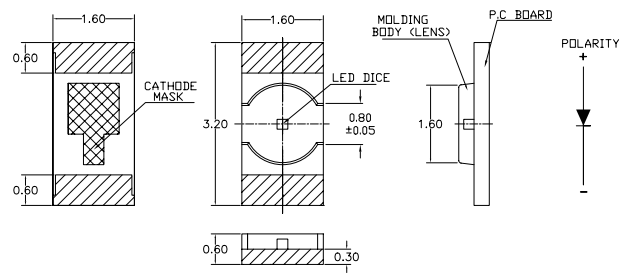
Photocoupler

UV LED

Chip LED _Top View_Inner Lens

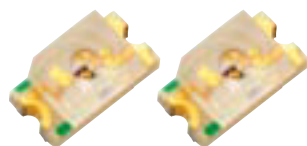


3.2 x 1.6 x 0.6 mm

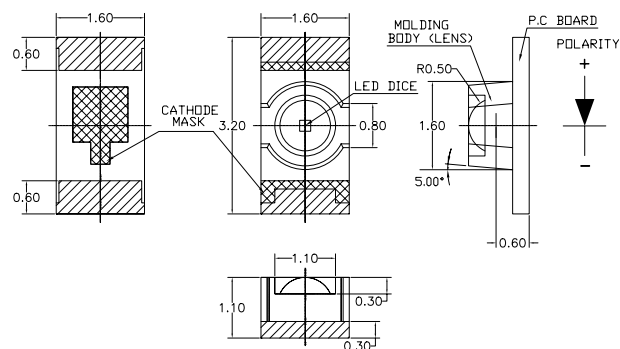


Part No.	Color	λ_d (nm)/CIE(x,y)	Typ. Luminous Intensity I_v (mcd)	View Angle $2\theta_{1/2}$	Typ. Forward Voltage V_f (V)	Forward Current I_f (mA)
LTST-C216KRKT	■ Red	631	60	130	2.0	20
LTST-C216KFKT	■ Orange	605	90	130	2.0	20
LTST-C216KSKT	■ Yellow	589	50	130	2.0	20
LTST-C216KGKT	■ Yellow Green	571	35	130	2.0	20
LTST-C216TGKT	■ True Green	525	150	130	3.3	20
LTST-C216TBKT	■ Blue	470	50	130	3.3	20
LTW-216TS5	■ White	(0.304, 0.301)	112	130	2.9	5

Chip LED _Top View_Inner Lens

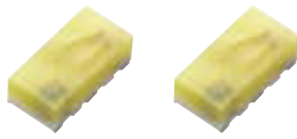


3.2 x 1.6 x 1.1 mm

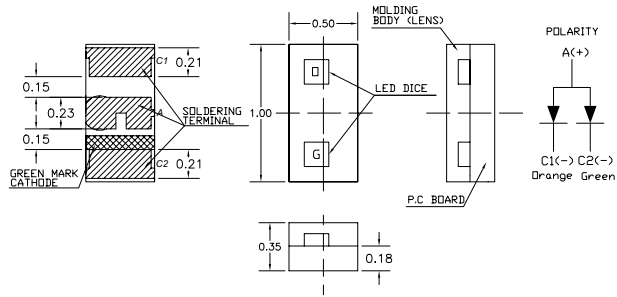


Part No.	Color	λ_d (nm)/CIE(x,y)	Typ. Luminous Intensity I_v (mcd)	View Angle $2\theta_{1/2}$	Typ. Forward Voltage V_f (V)	Forward Current I_f (mA)
LTST-C21KRKT	■ Red	631	100	70	2.0	20
LTST-C21KFKT	■ Orange	605	180	70	2.0	20
LTST-C21KSKT	■ Yellow	589	112	70	2.0	20
LTST-C21KGKT	■ Yellow Green	571	71	70	2.0	20
LTST-C21TGKT	■ True Green	525	450	70	3.3	20
LTST-C21TBKT	■ Blue	470	112	70	3.3	20
LTW-21TS5	■ White	(0.304, 0.301)	71	70	2.9	5

Chip LED_Top View_Dual Color



1.0 x 0.5 x 0.35 mm

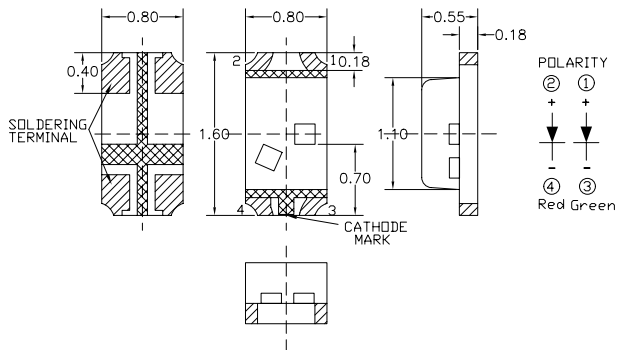


Part No.	Color	λ_d (nm)/CIE(x,y)	Typ. Luminous Intensity I_v (mcd)	View Angle $2\theta_{1/2}$	Typ. Forward Voltage V_f (V)	Forward Current I_f (mA)
LTST-C285TBKEWT-5A	■ Red	621	45	130	2.0	5
	■ Blue	470	28		2.9	5
LTST-C285TGKFWT-5A	■ Orange	605	28	130	2.0	5
	■ True Green	525	18		2.9	5
LTST-C285KGFWT-5A	■ Orange	605	28	130	2.0	5
	■ Yellow Green	571	18		2.0	5
LTW-C285DSKG-5A	■ Yellow Green	571	18	130	2.0	5
	□ White	(0.30, 0.30)	71		2.9	5

Chip LED_Top View_Dual Color



1.6 x 0.8 x 0.55 mm



Part No.	Color	λ_d (nm)/CIE(x,y)	Typ. Luminous Intensity I_v (mcd)	View Angle $2\theta_{1/2}$	Typ. Forward Voltage V_f (V)	Forward Current I_f (mA)
LTST-C295TBKFKT	■ Orange	605	45	130	2.0	20
	■ Blue	470	28		3.3	20
LTST-C295KGFKKT	■ Orange	605	28	130	2.0	20
	■ Yellow Green	571	18		2.0	20
LTST-C295KGRKKT	■ Red	631	28	130	2.0	20
	■ Yellow Green	571	18		2.0	20
LTW-295DSKS-5A	■ Yellow	589	18	130	2.0	5
	□ White	(0.30, 0.30)	71		2.9	5

Flash LED

SMD LED

Through Hole Lamp

LED Display

Automotive LED

Signage LED

Lighting LED

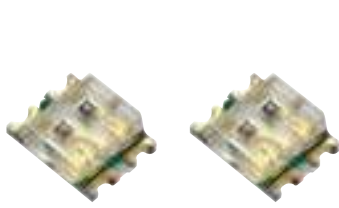
Infrared Emitter and Detector

Optical Sensors

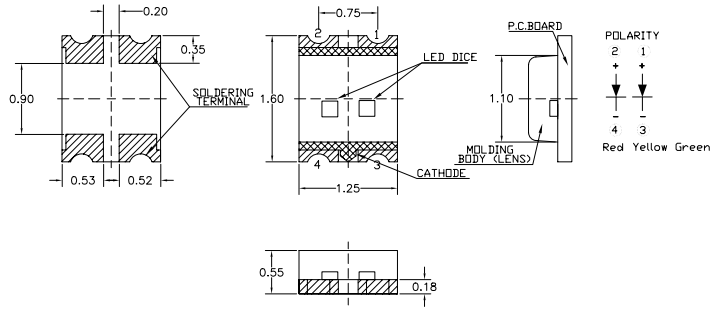
Photocoupler

UV LED

Chip LED_Top View_Dual Color

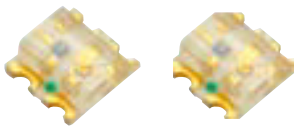


1.6 x 1.25 x 0.55 mm

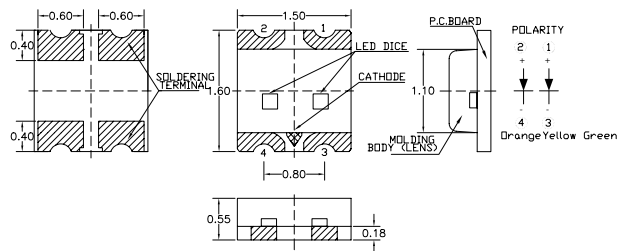


Part No.	Color	λ_d (nm)/CIE(x,y)	Typ. Luminous Intensity I_v (mcd)	View Angle $2\theta_{1/2}$	Typ. Forward Voltage V_f (V)	Forward Current I_f (mA)
LTST-C395TBKFKT	Orange	605	100	130	1.9	20
	Blue	470	80		3.1	
LTST-C395KGKFKT	Orange	605	100	130	1.9	20
	Yellow Green	571	60		1.9	
LTST-C395KGRKKT	Red	631	90	130	1.9	20
	Yellow Green	571	60		1.9	

Chip LED_Top View_Dual Color

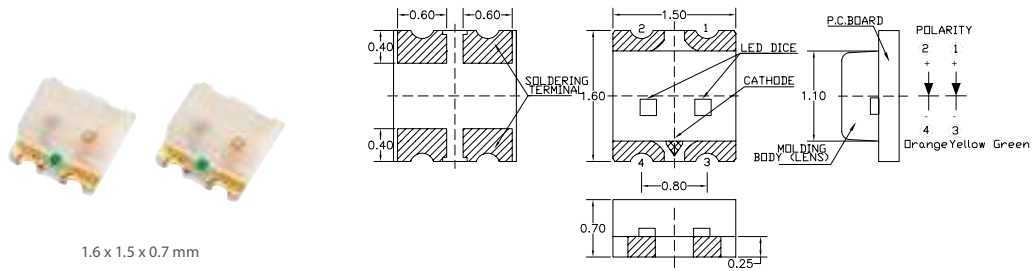


1.6 x 1.5 x 0.55 mm



Part No.	Color	λ_d (nm)/CIE(x,y)	Typ. Luminous Intensity I_v (mcd)	View Angle $2\theta_{1/2}$	Typ. Forward Voltage V_f (V)	Forward Current I_f (mA)
LTST-C195TBJRKT	Red	631	45	130	2.0	20
	Blue	470	28		3.3	
LTST-C195KGKFKT	Orange	605	28	130	2.0	20
	Yellow Green	571	18		2.0	
LTST-C195KGRKKT	Red	631	28	130	2.0	20
	Yellow Green	571	18		2.0	
LTW-C195DSKS-5A	Yellow	589	18	130	2.0	5
	White	(0.30, 0.30)	71		2.75	

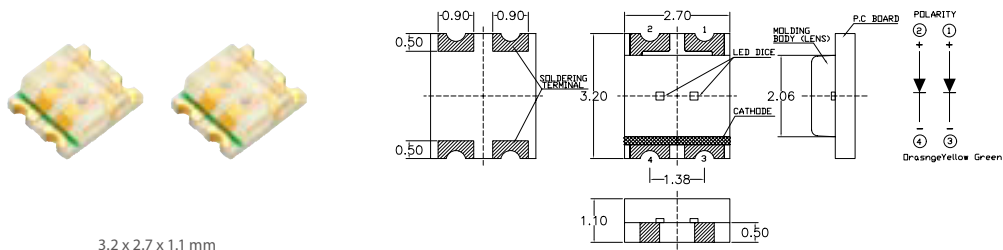
Chip LED_Top View_Dual Color



1.6 x 1.5 x 0.7 mm

Part No.	Color	λ_d (nm)/CIE(x,y)	Typ. Luminous Intensity I_v (mcd)	View Angle $2\theta_{1/2}$	Typ. Forward Voltage V_f (V)	Forward Current I_f (mA)
LTST-C197TGKEKT	Red	621	45	130	2.0	20
	True Green	525	28		3.3	
LTST-C197KGKEKT	Red	621	28	130	2.0	20
	Yellow Green	571	18		2.0	
LTST-C197KGKSKT	Yellow	589	55	130	2.0	20
	Yellow Green	571	55		2.0	

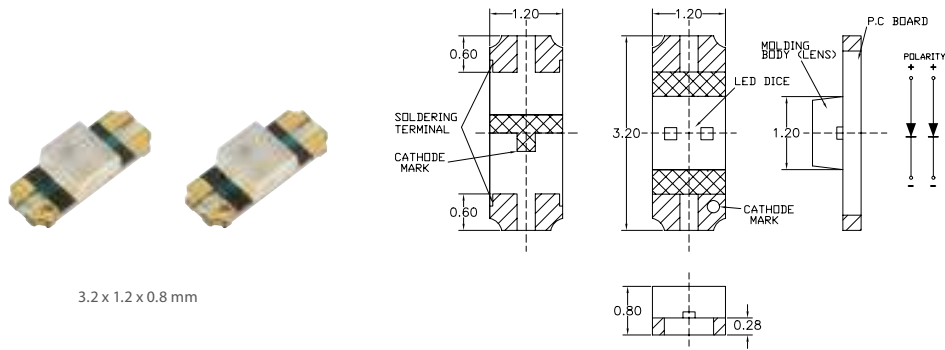
Chip LED_Top View_Dual Color



3.2 x 2.7 x 1.1 mm

Part No.	Color	λ_d (nm)/CIE(x,y)	Typ. Luminous Intensity I_v (mcd)	View Angle $2\theta_{1/2}$	Typ. Forward Voltage V_f (V)	Forward Current I_f (mA)
LTST-C155TBJRKT	Red	631	45	130	2.0	20
	Blue	470	28		3.3	
LTST-C155KGKFKT	Orange	605	28	130	2.0	20
	Yellow Green	571	18		2.0	
LTST-C155KJRKT	Red	631	28	130	2.0	20
	Yellow Green	571	28		2.0	

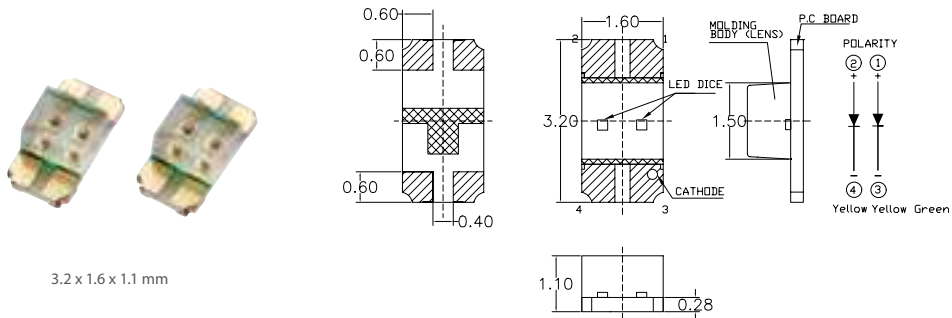
Chip LED_Top View_Reverse Mount Dual Color



3.2 x 1.2 x 0.8 mm

Part No.	Color	λ_d (nm)/CIE(x,y)	Typ. Luminous Intensity I_v (mcd)	View Angle $2\theta_{1/2}$	Typ. Forward Voltage V_f (V)	Forward Current I_f (mA)
LTST-C255TBKFWT-5A	■ Orange	605	28	130	1.9	5
	■ Blue	470	28		2.8	5
LTW-C255DCKF-5A	■ Orange	605	28	130	2.0	5
	■ White	(0.28, 0.27)	71		2.85	5

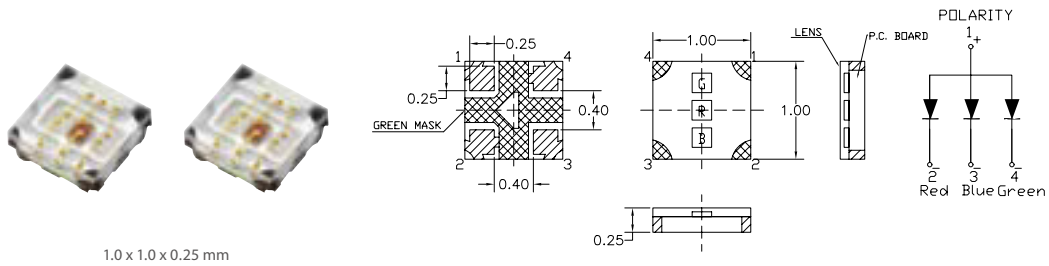
Chip LED_Top View_Reverse Mount Dual Color



3.2 x 1.6 x 1.1 mm

Part No.	Color	λ_d (nm)/CIE(x,y)	Typ. Luminous Intensity I_v (mcd)	View Angle $2\theta_{1/2}$	Typ. Forward Voltage V_f (V)	Forward Current I_f (mA)
LTST-C235TBJRKT	■ Red	631	45	130	2.0	20
	■ Blue	470	28		3.3	20
LTST-C235KGKSKT	■ Yellow	589	28	130	2.0	20
	■ Yellow Green	571	18		2.0	20
LTST-C235KGKRKT	■ Red	631	28	130	2.0	20
	■ Yellow Green	571	18		2.0	20
LTW-C235DSKF-5A	■ Orange	605	28	130	2.0	5
	■ White	(0.30, 0.30)	71		2.9	5

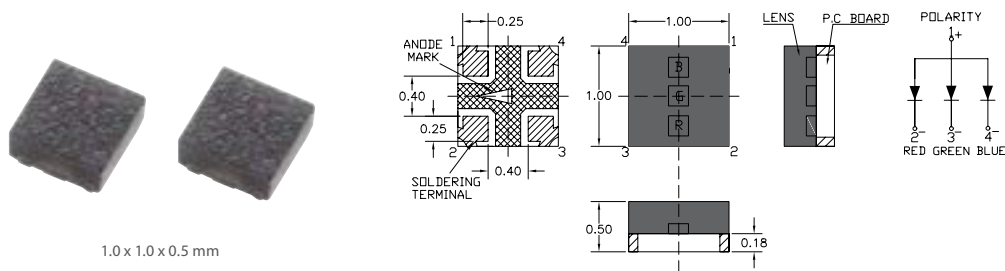
Chip LED_Top View_Multi Color



1.0 x 1.0 x 0.25 mm

Part No.	Color	λ_d (nm)	Typ. Luminous Intensity I_v (mcd)	View Angle $2\theta_{1/2}$	Typ. Forward Voltage V_f (V)	Forward Current I_f (mA)
LTST-C28NBEGK-2A	Red	624	36	120	1.7	2
	True Green	530	195		2.6	2
	Blue	470	31		2.6	2

Chip LED_Top View_Multi Color



1.0 x 1.0 x 0.5 mm

Part No.	Color	λ_d (nm)	Typ. Luminous Intensity I_v (mcd)	View Angle $2\theta_{1/2}$	Typ. Forward Voltage V_f (V)	Forward Current I_f (mA)
LTST-B28JEGBB-5A	Red	624	7.1	130	1.9	5
	True Green	530	18		2.8	5
	Blue	470	7.1		2.8	5

Flash LED

SMD LED

Through Hole Lamp

LED Display

Automotive LED

Signage LED

Lighting LED

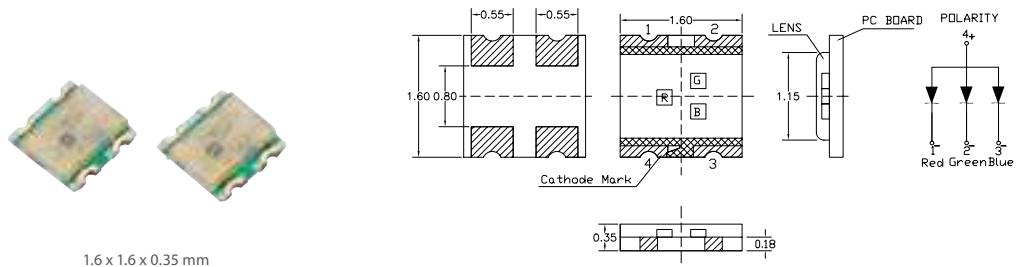
Infrared Emitter and Detector

Optical Sensors

Photocoupler

UV LED

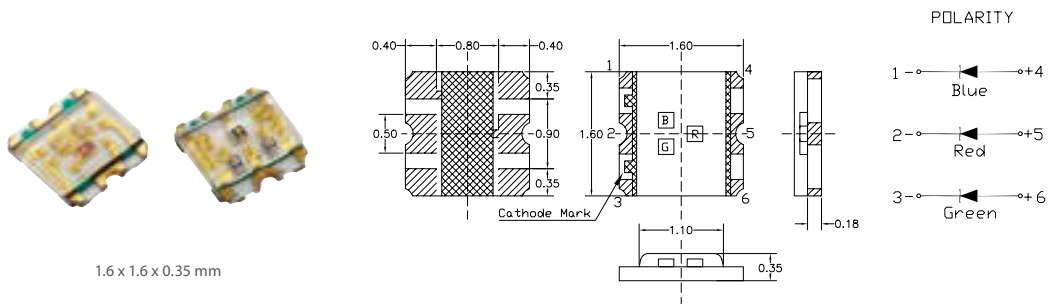
Chip LED_Top View_Multi Color



1.6 x 1.6 x 0.35 mm

Part No.	Color	λ_d (nm)	Typ. Luminous Intensity I_v (mcd)	View Angle $2\theta_{1/2}$	Typ. Forward Voltage V_f (V)	Forward Current I_f (mA)
LTST-C19HE1WT	Red	624	71	130	2.0	20
	True Green	525	180		3.3	20
	Blue	470	71		3.3	20
LTST-C19HRGYW	Red	624	112	130	2.1	20
	Yellow	594	175		2.1	20
	True Green	525	260		3.2	20

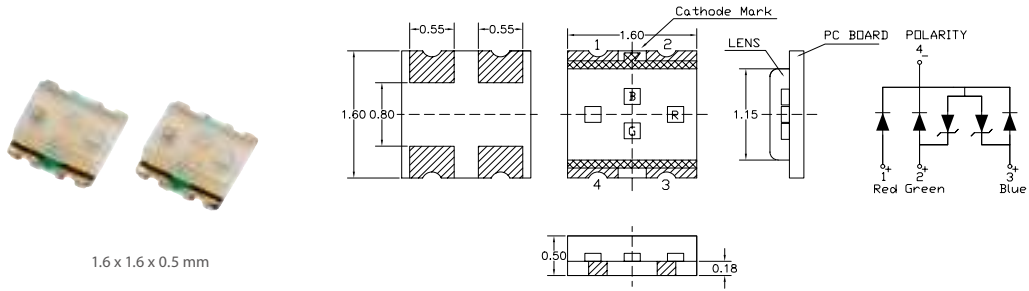
Chip LED_Top View_Multi Color



1.6 x 1.6 x 0.35 mm

Part No.	Color	λ_d (nm)	Typ. Luminous Intensity I_v (mcd)	View Angle $2\theta_{1/2}$	Typ. Forward Voltage V_f (V)	Forward Current I_f (mA)
LTST-C19KBEGK-5A	Red	624	28	130	2	5
	True Green	528	112		2.8	5
	Blue	470	28		2.8	5

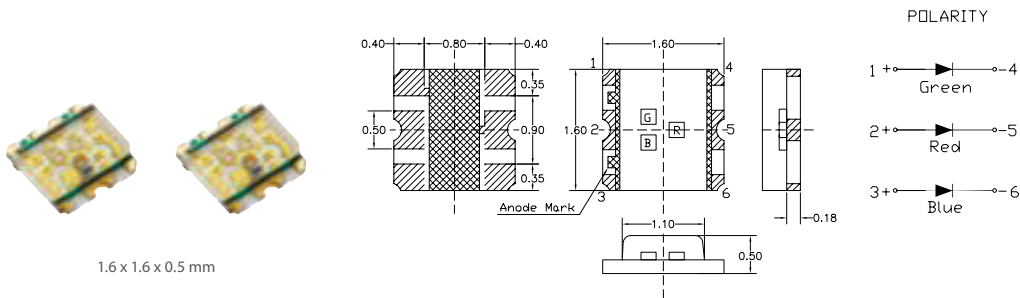
Chip LED_Top View_Multi Color



1.6 x 1.6 x 0.5 mm

Part No.	Color	λ_d (nm)	Typ. Luminous Intensity I_v (mcd)	View Angle $2\theta_{1/2}$	Typ. Forward Voltage V_f (V)	Forward Current I_f (mA)
LTST-C19JZEGB1W-5A	Red	624	28	130	1.9	5
	True Green	530	78		2.8	5
	Blue	470	28		2.8	5

Chip LED_Top View_Multi Color



1.6 x 1.6 x 0.5 mm

Part No.	Color	λ_d (nm)	Typ. Luminous Intensity I_v (mcd)	View Angle $2\theta_{1/2}$	Typ. Forward Voltage V_f (V)	Forward Current I_f (mA)
LTST-C19MGEBK-5A	Red	624	112	130	2	5
	True Green	530	280		2.6	5
	Blue	470	70		2.6	5

Flash LED

SMD LED

Through Hole Lamp

LED Display

Automotive LED

Signage LED

Lighting LED

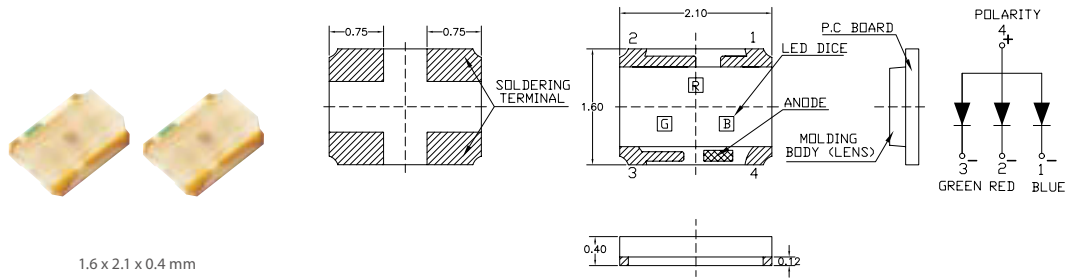
Infrared Emitter and Detector

Optical Sensors

Photocoupler

UV LED

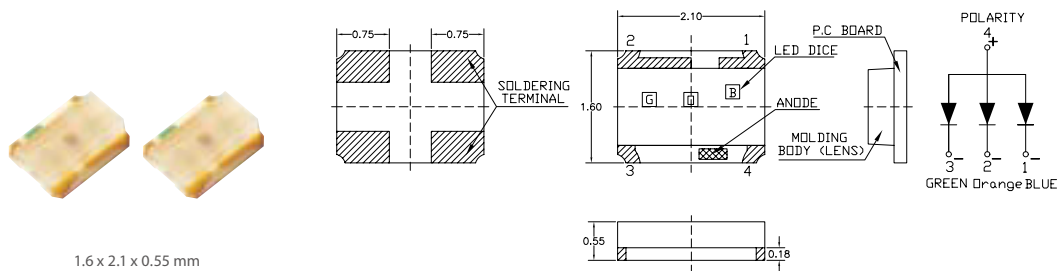
Chip LED_Top View_Multi Color



1.6 x 2.1 x 0.4 mm

Part No.	Color	λ_d (nm)	Typ. Luminous Intensity I_v (mcd)	View Angle $2\theta_{1/2}$	Typ. Forward Voltage V_f (V)	Forward Current I_f (mA)
LTST-C19GD2WT	■ Red	626	100	130	2	20
	■ True Green	525	180		3.3	20
	■ Blue	470	40		3.3	20

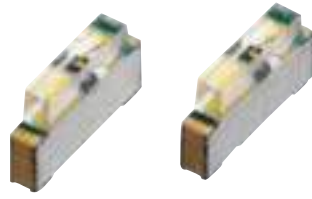
Chip LED_Top View_Multi Color



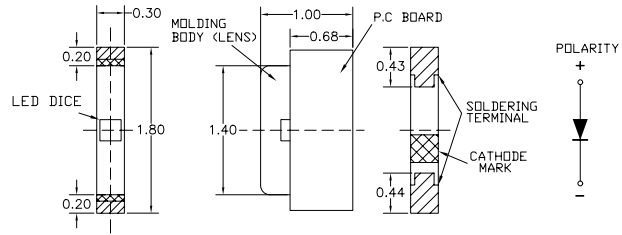
1.6 x 2.1 x 0.55 mm

Part No.	Color	λ_d (nm)	Typ. Luminous Intensity I_v (mcd)	View Angle $2\theta_{1/2}$	Typ. Forward Voltage V_f (V)	Forward Current I_f (mA)
LTST-C19FD1WT	■ Orange	605	71	130	2	20
	■ True Green	525	180		3.3	20
	■ Blue	470	71		3.3	20

Chip LED_Side View

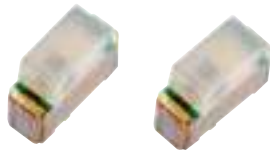


1.8 x 1.0 x 0.3 mm

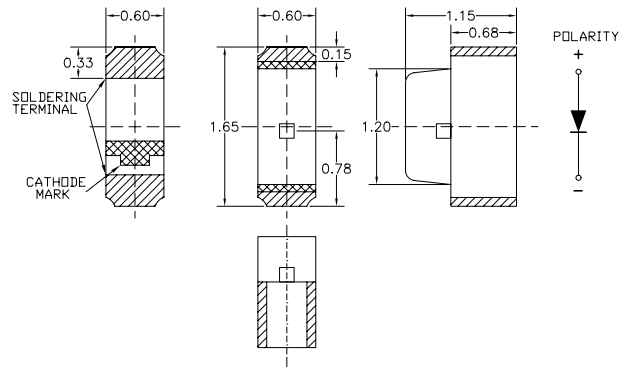


Part No.	Color	λ_d (nm)/CIE(x,y)	Typ. Luminous Intensity I_v (mcd)	View Angle $2\theta_{1/2}$	Typ. Forward Voltage V_f (V)	Forward Current I_f (mA)
LTST-S482KRKT-5A	■ Red	631	30	130	1.9	5
LTST-S482KFKT-5A	■ Orange	605	20	130	1.9	5
LTST-S482KSKT-5A	■ Yellow	587	20	130	1.9	5
LTST-S482KGKT-5A	■ Yellow Green	571	15	130	1.9	5
LTST-S482TGKT-5A	■ True Green	525	70	130	2.9	5
LTST-S482TBKT-5A	■ Blue	470	20	130	2.9	5
LTW-S482DS5	■ White	(0.29, 0.29)	180	130	2.9	5

Chip LED_Side View



1.6 x 1.15 x 0.6 mm



Part No.	Color	λ_d (nm)/CIE(x,y)	Typ. Luminous Intensity I_v (mcd)	View Angle $2\theta_{1/2}$	Typ. Forward Voltage V_f (V)	Forward Current I_f (mA)
LTST-S270KRKT	■ Red	631	60	130	2.0	20
LTST-S270KFKT	■ Orange	605	90	130	2.0	20
LTST-S270KSKT	■ Yellow	589	50	130	2.0	20
LTST-S270KGKT	■ Yellow Green	571	35	130	2.0	20
LTST-S270TGKT	■ True Green	525	150	130	3.3	20
LTST-S270TBKT	■ Blue	470	50	130	3.3	20
LTW-270TLA	■ White	(0.31, 0.32)	113	130	3.1	10

Flash LED

SMD LED

Through Hole Lamp

LED Display

Automotive LED

Signage LED

Lighting LED

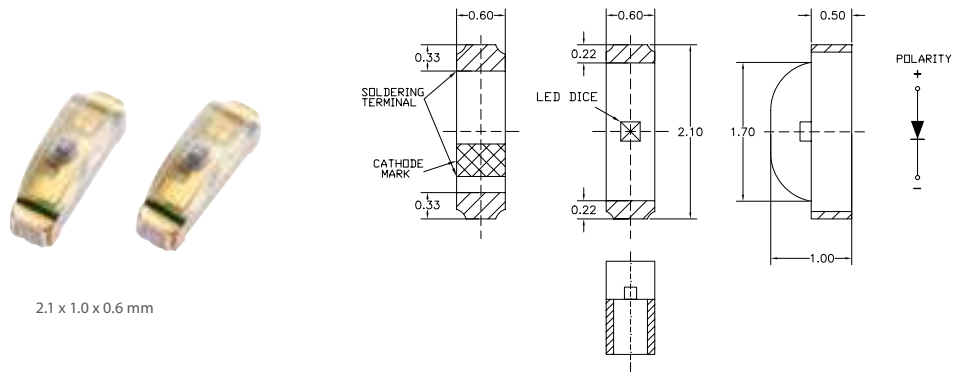
Infrared Emitter and Detector

Optical Sensors

Photocoupler

UV LED

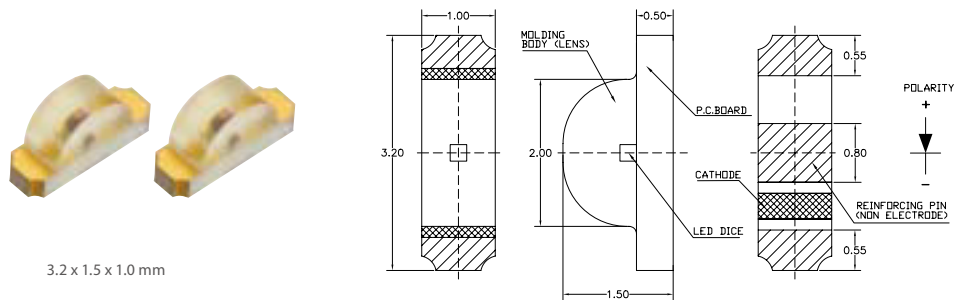
Chip LED_Side View



2.1 x 1.0 x 0.6 mm

Part No.	Color	λ_d (nm)/CIE(x,y)	Typ. Luminous Intensity I_v (mcd)	View Angle $2\theta_{1/2}$	Typ. Forward Voltage V_f (V)	Forward Current I_f (mA)
LTST-S220KRKT	■ Red	631	60	130	2.0	20
LTST-S220KFKT	■ Orange	605	90	130	2.0	20
LTST-S220KSKT	■ Yellow	589	50	130	2.0	20
LTST-S220KGKT	■ Yellow Green	571	35	130	2.0	20
LTST-S220TGKT	■ True Green	525	150	130	3.3	20
LTST-S220TBKT	■ Blue	470	50	130	3.3	20
LTW-S221DS	■ White	(0.3, 0.3)	280	130	3.3	20

Chip LED_Side View



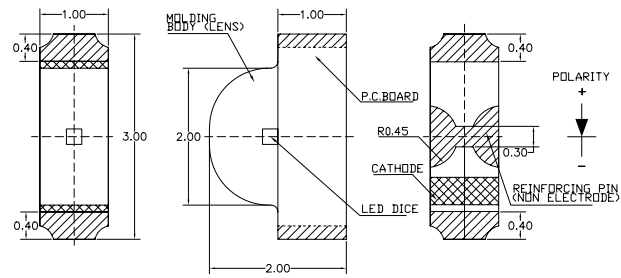
3.2 x 1.5 x 1.0 mm

Part No.	Color	λ_d (nm)/CIE(x,y)	Typ. Luminous Intensity I_v (mcd)	View Angle $2\theta_{1/2}$	Typ. Forward Voltage V_f (V)	Forward Current I_f (mA)
LTST-S110KRKT	■ Red	631	54	130	2.0	20
LTST-S110KFKT	■ Orange	605	90	130	2.0	20
LTST-S110KSKT	■ Yellow	589	80	130	2.0	20
LTST-S110KGKT	■ Yellow Green	571	35	130	2.0	20
LTST-S110TGKT	■ True Green	525	150	130	3.3	20
LTST-S110TBKT	■ Blue	470	70	130	3.3	20
LTW-110TS5	■ White	(0.304, 0.301)	70	130	2.9	5

Chip LED_Side View

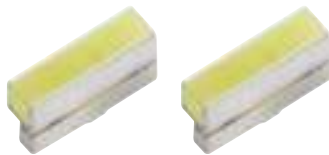


3.0 x 2.0 x 1.0 mm

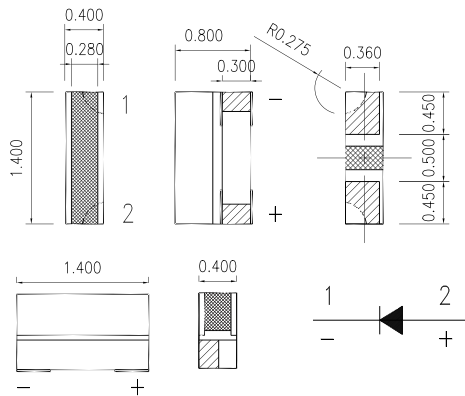


Part No.	Color	λ_d (nm)/CIE(x,y)	Typ. Luminous Intensity I_v (mcd)	View Angle $2\theta_{1/2}$	Typ. Forward Voltage V_f (V)	Forward Current I_f (mA)
LTST-S320KRKT	■ Red	631	54	130	2.0	20
LTST-S320KFKT	■ Orange	605	90	130	2.0	20
LTST-S320KSKT	■ Yellow	589	50	130	2.0	20
LTST-S320KGKT	■ Yellow Green	571	80	130	2.0	20
LTST-S320TGKT	■ True Green	525	150	130	3.3	20
LTST-S320TBKT	■ Blue	470	70	130	3.3	20
LTW-S321ZDS5	■ White	(0.30, 0.29)	90	130	2.9	5

Chip LED_Side View with Reflector



1.4 x 0.8 x 0.4 mm



Part No.	Color	λ_d (nm)/CIE(x,y)	Typ. Luminous Intensity I_v (mcd)	View Angle $2\theta_{1/2}$	Typ. Forward Voltage V_f (V)	Forward Current I_f (mA)
LTW-S850DC5	■ White	(0.2862, 0.2742)	1.2	130	2.8	5

Flash LED

SMD LED

Through Hole Lamp

LED Display

Automotive LED

Signage LED

Lighting LED

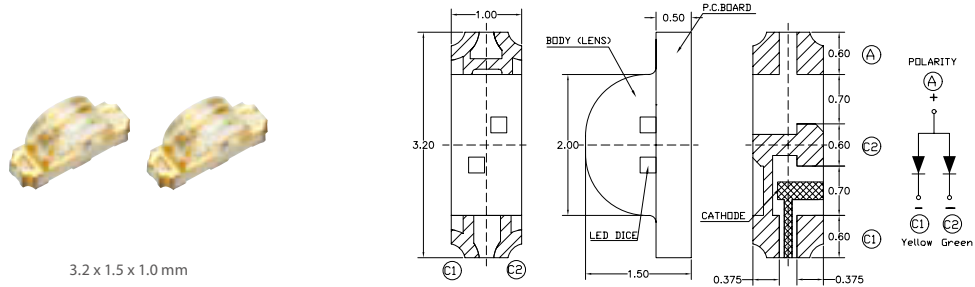
Infrared Emitter and Detector

Optical Sensors

Photocoupler

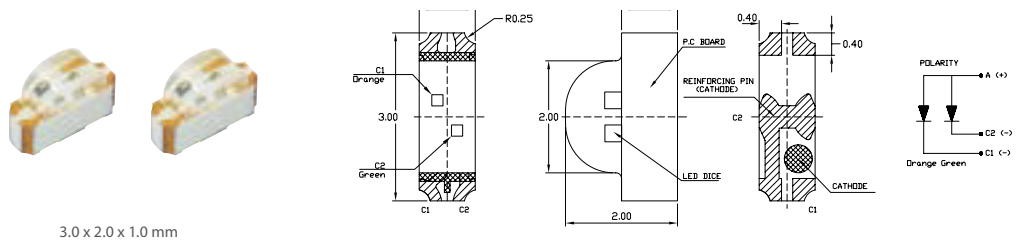
UV LED

Chip LED_Side View_Dual Color



Part No.	Color	λ_d (nm)/CIE(x,y)	Typ. Luminous Intensity I_v (mcd)	View Angle $2\theta_{1/2}$	Typ. Forward Voltage V_f (V)	Forward Current I_f (mA)
LTST-S115TGKFKT	Orange	605	112	130	3.3	20
	True Green	525	112		2.0	
LTST-S115KGKFKT	Orange	605	90	130	2.0	20
	Yellow Green	571	35		2.0	
LTST-S115KJRKT	Red	631	45	130	2.0	20
	Yellow Green	571	35		2.0	
LTW-S115KFDS-5A	Orange	605	40	130	2.9	5
	White	(0.29, 0.282)	70		2.2	

Chip LED_Side View_Dual Color

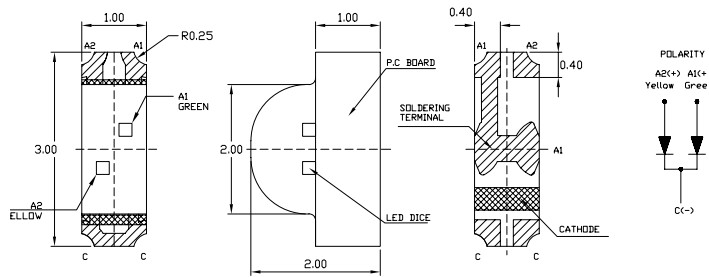


Part No.	Color	λ_d (nm)/CIE(x,y)	Typ. Luminous Intensity I_v (mcd)	View Angle $2\theta_{1/2}$	Typ. Forward Voltage V_f (V)	Forward Current I_f (mA)
LTST-S326TBKSKT	Yellow	589	90	130	2.0	20
	Blue	470	35		3.3	
LTST-S326KGKFKT	Orange	605	90	130	2.0	20
	Yellow Green	571	35		2.0	
LTST-S326KJRKT	Red	631	45	130	2.0	20
	Yellow Green	571	35		2.0	
LTW-326DSKF-5A	Orange	605	40	130	2.9	5
	White	(0.3, 0.3)	70		2.2	

Chip LED_Side View_Dual Color



3.0 x 2.0 x 1.0 mm

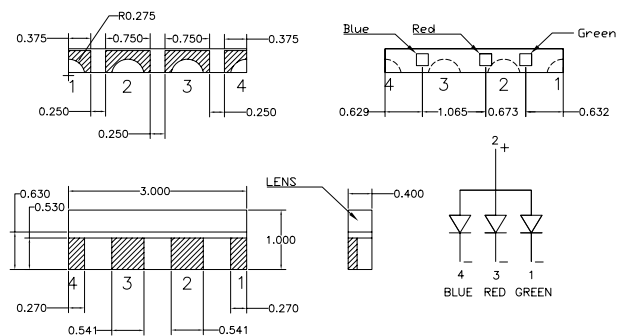


Part No.	Color	λ_d (nm)/CIE(x,y)	Typ. Luminous Intensity I_v (mcd)	View Angle $2\theta_{1/2}$	Typ. Forward Voltage V_f (V)	Forward Current I_f (mA)
LTST-S327TBKFCT	Orange	605	90	130	2.0	20
	Blue	470	45		3.3	
LTST-S327KGJRKT	Red	631	45	130	2.0	20
	Yellow Green	571	35		2.0	
LTST-S327KGJSKT	Yellow	589	75	130	2.0	20
	Yellow Green	571	35		2.0	
LTW-327DSKF-5A	Orange	605	40	130	2.2	5
	White	(0.3, 0.3)	70		2.6	

Chip LED_Side View_Multi Color



3.0 x 1.0 x 0.4 mm



Part No.	Color	λ_d (nm)	Typ. Luminous Intensity I_v (mcd)	View Angle $2\theta_{1/2}$	Typ. Forward Voltage V_f (V)	Forward Current I_f (mA)
LTST-S33FBEGW-5A	Red	624	180	130	1.9	5
	True Green	525	112		2.9	
	Blue	470	71		2.9	

Flash LED

SMD LED

Through Hole Lamp

LED Display

Automotive LED

Signage LED

Lighting LED

Infrared Emitter and Detector

Optical Sensors

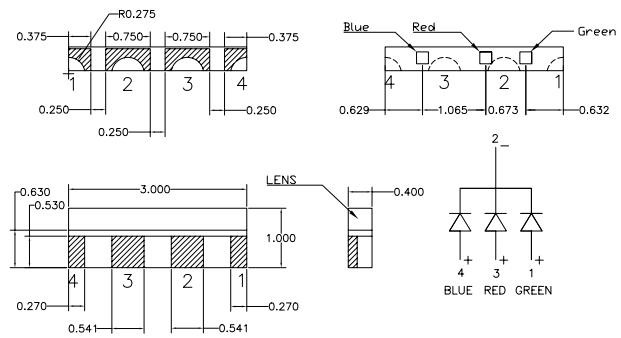
Photocoupler

UV LED

Chip LED_Side View_Multi Color



3.0 x 1.0 x 0.4 mm

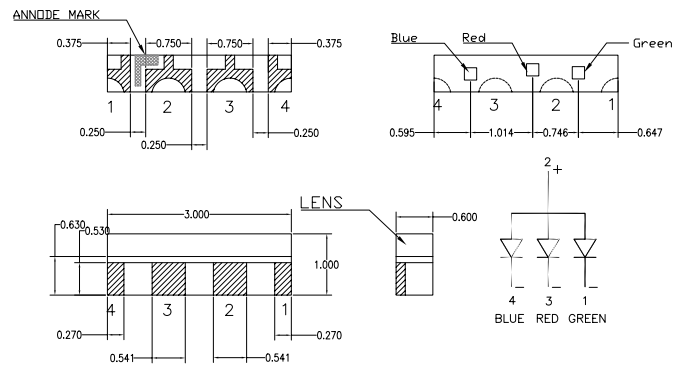


Part No.	Color	λ_d (nm)	Typ. Luminous Intensity I_v (mcd)	View Angle $2\theta_{1/2}$	Typ. Forward Voltage V_f (V)	Forward Current I_f (mA)
LTST-S43FBEGW	Red	624	28	130	2	5
	True Green	525	112		2.85	5
	Blue	470	28		2.85	5

Chip LED_Side View_Multi Color

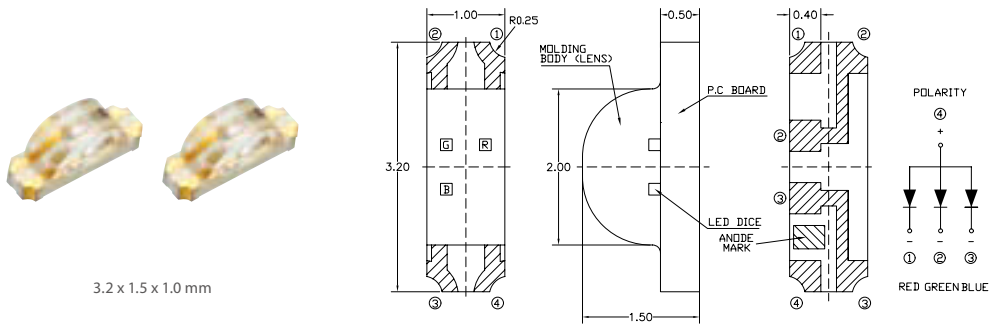


3.0 x 1.0 x 0.6 mm



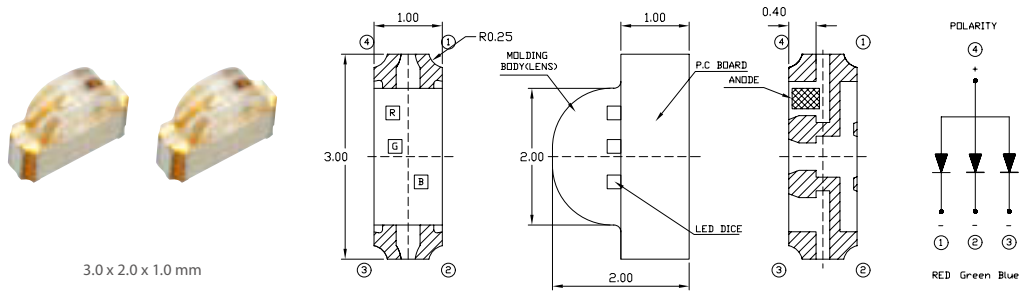
Part No.	Color	λ_d (nm)	Typ. Luminous Intensity I_v (mcd)	View Angle $2\theta_{1/2}$	Typ. Forward Voltage V_f (V)	Forward Current I_f (mA)
LTST-S33GBEGK	Red	624	575	130	2.2	20
	True Green	525	1500		2.9	20
	Blue	470	335		2.9	20

Chip LED_Side View_Multi Color



Part No.	Color	λ_d (nm)	Typ. Luminous Intensity I_v (mcd)	View Angle $2\theta_{1/2}$	Typ. Forward Voltage V_f (V)	Forward Current I_f (mA)
LTST-S310F3WT	Red	624	71	130	2	20
	True Green	525	180		3.3	20
	Blue	470	71		3.3	20

Chip LED_Side View_Multi Color



Part No.	Color	λ_d (nm)	Typ. Luminous Intensity I_v (mcd)	View Angle $2\theta_{1/2}$	Typ. Forward Voltage V_f (V)	Forward Current I_f (mA)
LTST-S32F1KT	Red	624	112	130	2	20
	True Green	525	180		3.3	20
	Blue	470	71		3.3	20

Flash LED

SMD LED

Through Hole Lamp

LED Display

Automotive LED

Signage LED

Lighting LED

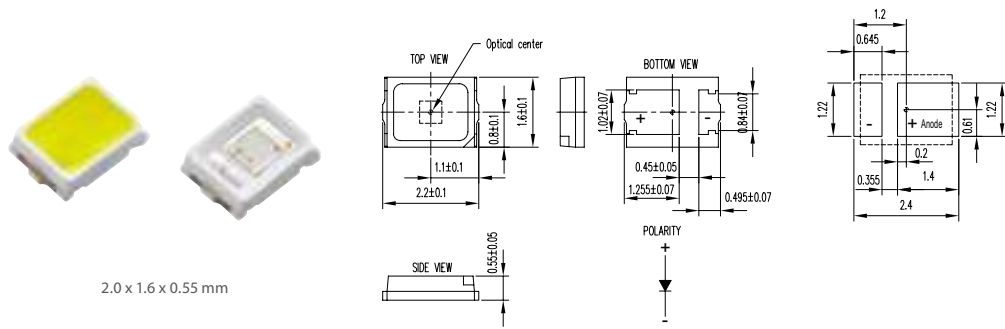
Infrared Emitter and Detector

Optical Sensors

Photocoupler

UV LED

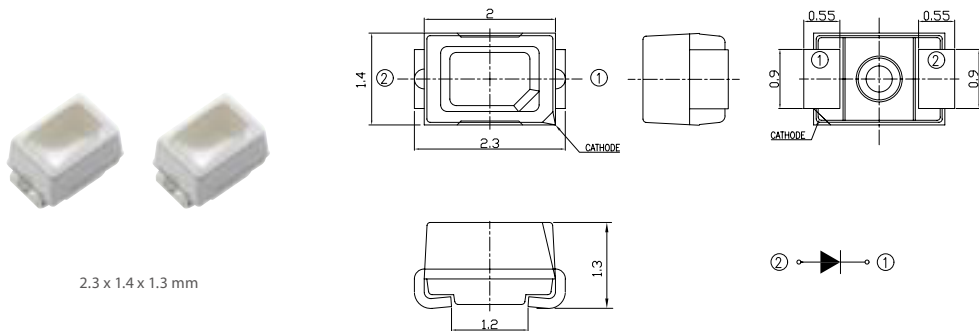
PLCC_Top View



2.0 x 1.6 x 0.55 mm

Part No.	Color	λ_d (nm)/ CIE(x,y)	Typ. Luminous Intensity I_v (mcd)	View Angle $2\theta_{1/2}$	Typ. Forward Voltage V_F (V)	Forward Current I_F (mA)	Max. Forward Current I_F (mA)
LTST-C0610VEWT	Red	624	1120	120	2.00	20	30
LTST-C0610VSWT	Yellow	589	1120	120	2.00	20	30
LTST-C0610UGWT	True Green	525	1800	120	3.20	20	30
LTST-C0610UBWT	Blue	470	355	120	3.20	20	30
LTST-C0610ZWET	White	(0.31, 0.31)	2240	120	3.20	20	30

PLCC_Top View



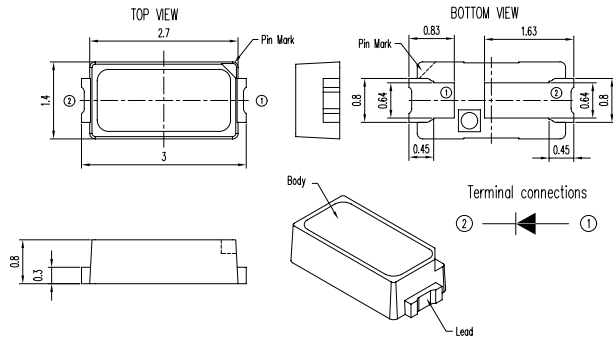
2.3 x 1.4 x 1.3 mm

Part No.	Color	λ_d (nm)/ CIE(x,y)	Typ. Luminous Intensity I_v (mcd)	View Angle $2\theta_{1/2}$	Typ. Forward Voltage V_F (V)	Forward Current I_F (mA)	Max. Forward Current I_F (mA)
LTST-M230VEWT	Red	624	900	120	2.0	20	30
LTST-M230VSWT	Yellow	589	900	120	2.0	20	30
LTST-M230UGWT	True Green	525	1800	120	3.2	20	30
LTST-M230UBWT	Blue	470	355	120	3.2	20	30
LTST-M230ZWET	White	(0.31, 0.31)	2240	120	3.2	20	30

PLCC_Top View



2.7 x 1.4 x 0.8 mm



Part No.	Color	λ_d (nm)/ CIE(x,y)	Typ. Luminous Flux Φ_v (lm)	View Angle $2\theta_{1/2}$	Typ. Forward Voltage V_f (V)	Forward Current I_f (mA)	Max. Forward Current I_f (mA)
LTW-K140RS625	Red	625	3.1	120	2.1	20	30
LTW-K140OS607	Orange	607	2.8	120	2.1	20	30
LTW-K140YS587	Yellow	587	2.5	120	2.1	20	30
LTW-K140GS525	True Green	525	6.8	120	3.2	20	30
LTW-K140BS470	Blue	470	1.4	120	3.2	20	30
LTW-K140SCIB	Ice Blue	(0.24, 0.29)	8	120	2.9	20	30
LTW-K140SCTF	Tiffany Blue	(0.22, 0.33)	7.7	120	2.9	20	30
LTW-K140SCVL	Violet	(0.32, 0.19)	5	120	2.9	20	30
LTW-K140SCSK	Sakura Pink	(0.45, 0.26)	6	120	2.9	20	30
LTW-K140SCGD	Gold	(0.40, 0.46)	9.5	120	2.9	20	30

Flash LED

SMD LED

Through Hole Lamp

LED Display

Automotive LED

Signage LED

Lighting LED

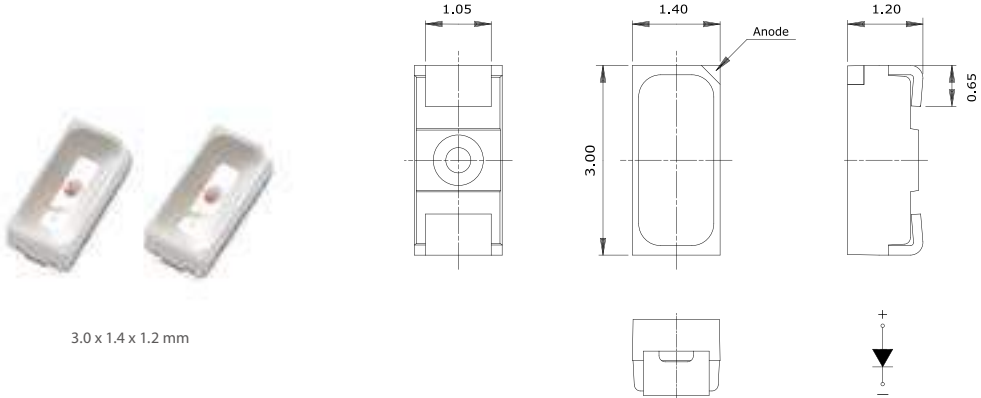
Infrared Emitter and
Detector

Optical Sensors

Photocoupler

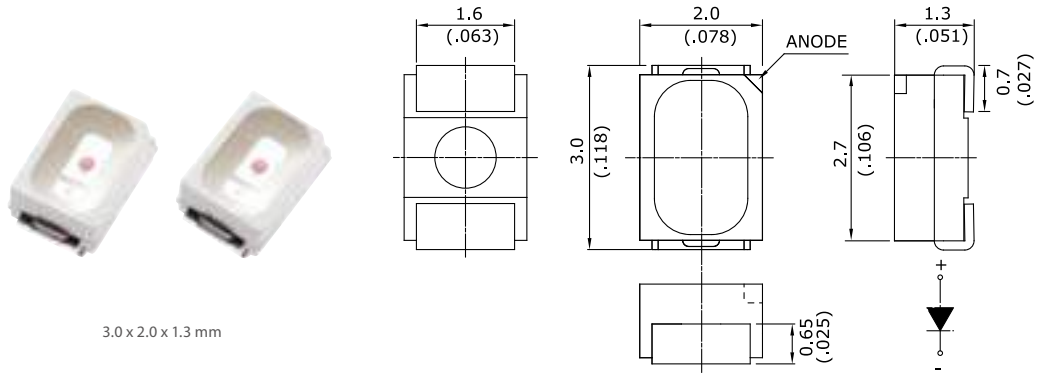
UV LED

PLCC_Top View



Part No.	Color	λ_d (nm)/ CIE(x,y)	Typ. Luminous Intensity I_v (mcd)	Typ. Luminous Flux Φ_v (lm)	View Angle $2\theta_{1/2}$	Typ. Forward Voltage V_f (V)	Forward Current I_f (mA)	Max. Forward Current I_f (mA)
LTST-M140KRKT	■ Red	631	180	-	120	2.0	20	30
LTST-M140QEKT	■ Red Orange	624	355	-	120	2.0	20	30
LTST-M140KFKT	■ Orange	605	355	-	120	2.0	20	30
LTST-M140KSKT	■ Yellow	589	280	-	120	2.0	20	30
LTST-M140QSKT	■ Yellow	589	355	-	120	2.0	20	30
LTST-M140KGKT	■ Yellow Green	571	112	-	120	2.0	20	30
LTST-M140TGKT	■ True Green	525	560	-	120	3.2	20	30
LTST-M140TBKT	■ Blue	470	280	-	120	3.2	20	30
LTW-M140ZVS	■ White	(0.296, 0.285)	-	6.5	120	3.2	20	30

PLCC_Top View



3.0 x 2.0 x 1.3 mm

Part No.	Color	λ_d (nm)/ CIE(x,y)	Typ. Luminous Intensity I_v (mcd)	View Angle $2\theta_{1/2}$	Typ. Forward Voltage V_f (V)	Forward Current I_f (mA)	Max. Forward Current I_f (mA)
LTST-M670KRKT	■ Red	631	180	120	2.0	20	30
LTST-M670KFKT	■ Orange	605	280	120	2.0	20	30
LTST-M670KSST	■ Yellow	589	280	120	2.0	20	30
LTST-M670KGKT	■ Yellow Green	571	112	120	2.0	20	30
LTST-M670TGKT	■ True Green	525	560	120	3.2	20	30
LTST-M670TBKT	■ Blue	470	280	120	3.2	20	30
LTW-M670ZVS-M5	■ White	(0.29, 0.27)	2400	120	3.2	20	30

Flash LED

SMD LED

Through Hole Lamp

LED Display

Automotive LED

Signage LED

Lighting LED

Infrared Emitter and
Detector

Optical Sensors

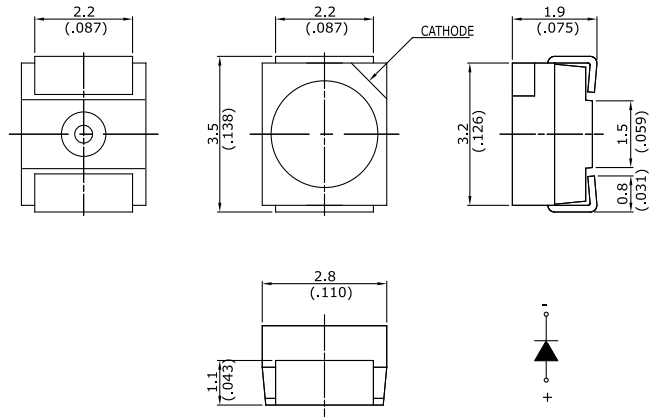
Photocoupler

UV LED

PLCC_Top View



3.5 x 2.8 x 1.9 mm

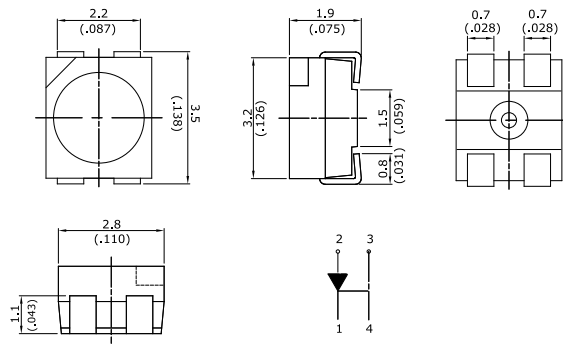


Part No.	Color	λ_d (nm)/ CIE(x,y)	Typ. Luminous Intensity I_v (mcd)	Typ. Luminous Flux Φ_v (lm)	View Angle $2\theta_{1/2}$	Typ. Forward Voltage V_f (V)	Forward Current I_f (mA)	Max. Forward Current I_{fM} (mA)
LTST-T680KRWT	Red	631	140	-	120	2.0	20	30
LTW-670RS625	Red	625	-	3.1	120	2.1	20	30
LTST-T680VEWT	Red	624	1120	-	120	2.0	20	30
LTST-T680QEWT	Red	624	710	-	120	2.0	20	30
LTW-670OS607	Orange	607	-	2.8	120	2.1	20	30
LTST-T680KFWT	Orange	605	224	-	120	2.0	20	30
LTST-T680KSWT	Yellow	589	224	-	120	2.0	20	30
LTST-T680VSWT	Yellow	589	1120	-	120	2.0	20	30
LTST-T680QSWT	Yellow	589	710	-	120	2.0	20	30
LTW-670YS587	Yellow	587	-	2.5	120	2.1	20	30
LTST-T680KGWT	Yellow Green	571	90	-	120	2.0	20	30
LTST-T680TGWT	True Green	525	710	-	120	3.2	20	30
LTST-T680UGWT	True Green	525	1120	-	120	3.2	20	30
LTW-670GS525	True Green	525	-	6.1	120	3.2	20	30
LTST-T680UBWT	Blue	470	355	-	120	3.2	20	30
LTW-670BS470	Blue	470	-	1.4	120	3.2	20	30
LTW-670DS-EL	White	(0.31, 0.30)	2500	-	120	3.2	20	30
LTST-T680UWET	White	(0.31, 0.31)	2240	-	120	3.2	20	30

PLCC_Top View



3.5 x 2.8 x 1.9 mm

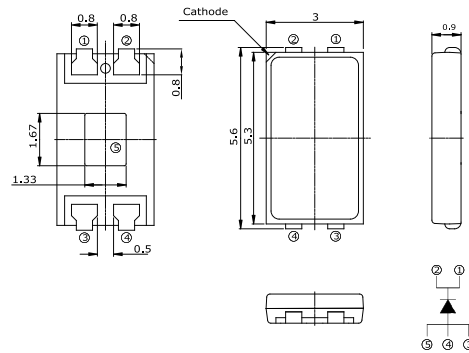


Part No.	Color	λ_d (nm)	Typ. Luminous Intensity I_v (mcd)	View Angle $2\theta_{1/2}$	Typ. Forward Voltage V_f (V)	Forward Current I_f (mA)	Max. Forward Current I_f (mA)
LTST-E680VEWT	Red	631	1500	120	2.2	20	50
LTST-E680VSWT	Yellow	589	1800	120	2.2	20	50
LTST-E680UGWT	True Green	525	1800	120	3.3	20	50
LTST-E680UBWT	Blue	470	710	120	3.3	20	50

PLCC_Top View



5.6 x 3.0 x 0.9 mm



Part No.	Color	λ_d (nm)	Typ. Luminous Flux Φ_v (lm)	View Angle $2\theta_{1/2}$	Typ. Forward Voltage V_f (V)	Forward Current I_f (mA)	Max. Forward Current I_f (mA)
LTST-5630VDWT	Red	639	6.72	130	2.2	20	150
LTST-5630VEWT	Red	624	13.5	130	2.2	20	150
LTST-5630VSWT	Yellow	589	13.5	130	2.2	20	150
LTST-5630UGWT	True Green	530	27	130	3.4	20	150
LTST-5630UBWT	Blue	460	4.2	130	3.4	20	150
LTST-5630ULWT	Blue	450	4.2	130	3.4	20	150

Flash LED

SMD LED

Through Hole Lamp

LED Display

Automotive LED

Signage LED

Lighting LED

Infrared Emitter and Detector

Optical Sensors

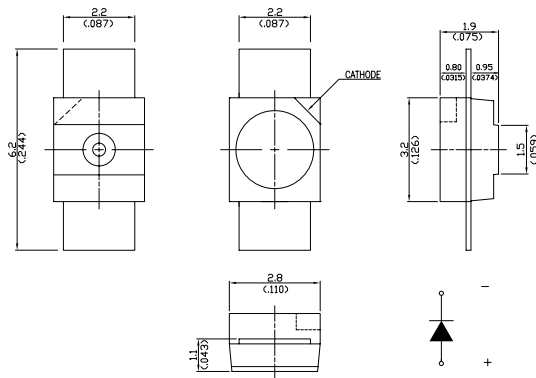
Photocoupler

UV LED

PLCC_Top View



6.2 x 2.8 x 1.9 mm

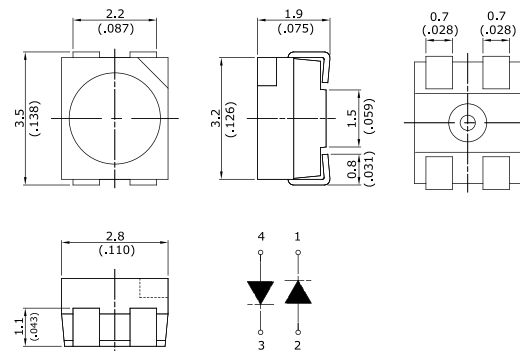


Part No.	Color	λ_d (nm)/ CIE(x,y)	Typ. Luminous Intensity I_v (mcd)	View Angle $2\theta_{1/2}$	Typ. Forward Voltage V_f (V)	Forward Current I_f (mA)	Max. Forward Current I_f (mA)
LTST-F680VEWT	Red	624	900	120	2.0	20	30
LTST-F680VSWT	Yellow	589	900	120	2.0	20	30
LTST-F680UGWT	True Green	525	1800	120	3.2	20	30
LTST-F680UBWT	Blue	470	355	120	3.2	20	30
LTST-F680UBET	White	(0.31, 0.31)	2240	120	3.2	20	30

PLCC_Top View_Dual Color



3.5 x 2.8 x 1.9 mm

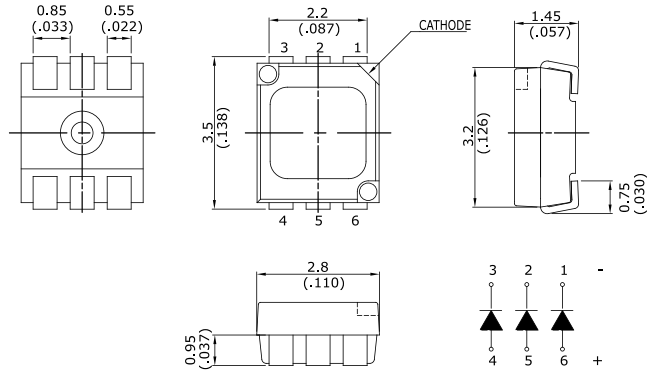


Part No.	Color	λ_d (nm)	Typ. Luminous Intensity I_v (mcd)	View Angle $2\theta_{1/2}$	Typ. Forward Voltage V_f (V)	Forward Current I_f (mA)	Max. Forward Current I_f (mA)
LTST-E682KRKGWT	Red	631	180	120	2.0	20	30
	Yellow Green	571	140	120	2.0	20	30
LTST-E682KGKFWT	Orange	605	224	120	2.0	20	30
	Yellow Green	571	112	120	2.0	20	30
LTST-E682KGKSWT	Yellow	589	355	120	2.0	20	30
	Yellow Green	571	140	120	2.0	20	30
LTST-E682KETBWT	Red	624	280	120	2.0	20	30
	Blue	470	280	120	3.2	20	30
LTST-E682TGKRWT	True Green	525	710	120	3.2	20	30
	Red	631	180	120	2.0	20	30

PLCC_Top View_Multi Color



3.5 x 2.8 x 1.3 mm



Part No.	Color	λ_d (nm)	Typ. Luminous Intensity I_v (mcd)	View Angle $2\theta_{1/2}$	Typ. Forward Voltage V_f (V)	Forward Current I_f (mA)	Max. Forward Current I_f (mA)
LTST-G683GEBW	Red	624	710	120	2.0	20	30
	True Green	525	1400	120	3.2	20	30
	Blue	470	280	120	3.2	20	30
LTST-G683RGBW	Red	624	140	120	2.0	20	30
	True Green	525	450	120	3.2	20	30
	Blue	470	224	120	3.2	20	30
LTST-G683ESBW	Red	624	710	120	2.0	20	30
	Yellow	590	710	120	2.0	20	30
	Blue	470	280	120	3.2	20	30

Flash LED

SMD LED

Through Hole Lamp

LED Display

Automotive LED

Signage LED

Lighting LED

Infrared Emitter and Detector

Optical Sensors

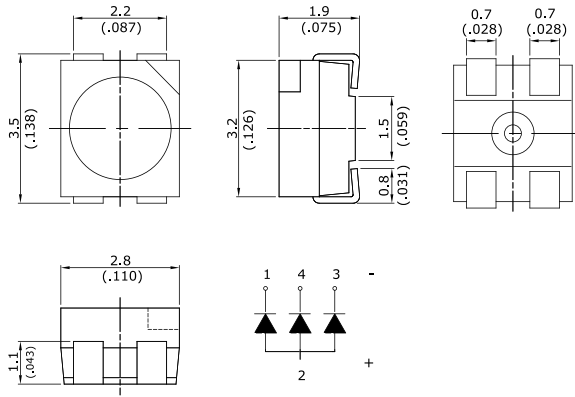
Photocoupler

UV LED

PLCC_Top View_Multi Color



3.5 x 2.8 x 1.9 mm

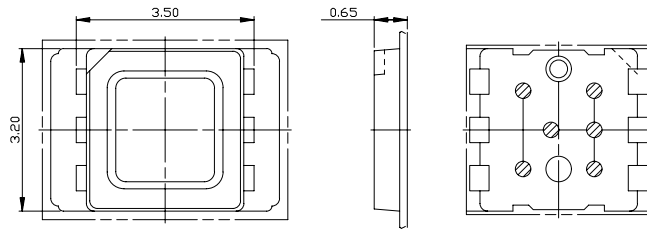


Part No.	Color	λ_d (nm)	Typ. Luminous Intensity I_v (mcd)	View Angle $2\theta_{1/2}$	Typ. Forward Voltage V_f (V)	Forward Current I_f (mA)	Max. Forward Current I_f (mA)
LTST-E683RGBW	■ Red	631	140	120	2.0	20	30
	■ True Green	525	710	120	3.2	20	30
	■ Blue	470	224	120	3.2	20	30
LTST-E683FGBW	■ Orange	605	280	120	2.0	20	30
	■ True Green	525	710	120	3.2	20	30
	■ Blue	470	224	120	3.2	20	30
LTST-E683EGSW	■ Red	631	224	120	2.0	20	30
	■ True Green	525	450	120	3.2	20	30
	■ Yellow	590	224	120	2.0	20	30
LTST-E683EGBW	■ Red	631	71	120	2.0	20	30
	■ True Green	525	450	120	3.2	20	30
	■ Blue	470	140	120	3.2	20	30

PLCC_Top View_Multi Color



3.5 x 3.2 x 0.65 mm



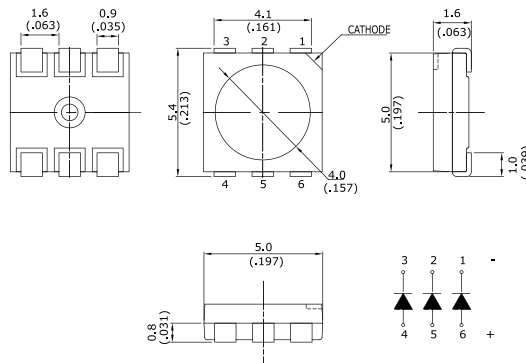
BACK VIEW

Part No.	Color	λ_d (nm)	Typ. Luminous Flux Φ_v (lm)	View Angle $2\theta_{1/2}$	Typ. Forward Voltage V_F (V)	Forward Current I_F (mA)	Max. Forward Current I_F (mA)
LTW-Q35ZRGB	Red	625	2.55	120	2.1	20	30
	True Green	525	7.35	120	2.9	20	30
	Blue	470	0.95	120	3.0	20	30

PLCC_Top View_Multi Color



5.4 x 5.0 x 1.6 mm

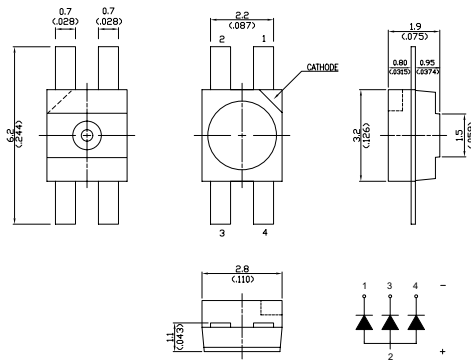


Part No.	Color	λ_d (nm)/ CIE(x,y)	Typ. Luminous Intensity I_v (mcd)	View Angle $2\theta_{1/2}$	Typ. Forward Voltage V_F (V)	Forward Current I_F (mA)	Max. Forward Current I_F (mA)
LTST-G563DDD	Red	640	900	120	2.0	20	30
LTST-G563EEE	Red	624	1800	120	2.0	20	30
LTST-G563SSS	Yellow	589	2240	120	2.0	20	30
LTST-G563ZGG	True Green	525	4500	120	3.2	20	30
LTST-G563ZBB	Blue	470	900	120	3.2	20	30
LTST-G563ZEG	Red	624	710	120	2.0	20	30
	True Green	525	1800	120	3.2	20	30
	Blue	470	450	120	3.2	20	30
LTST-G563BBE	White	(0.31, 0.31)	7500	120	3.2	20	30

PLCC_Top View_Multi Color



6.2 x 2.8 x 1.9 mm

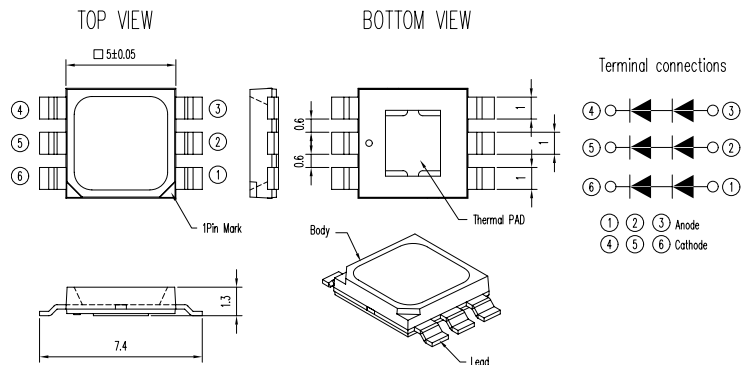


Part No.	Color	λ_d (nm)	Typ. Luminous Intensity I_v (mcd)	View Angle $2\theta_{1/2}$	Typ. Forward Voltage V_F (V)	Forward Current I_F (mA)	Max. Forward Current I_F (mA)
LTST-A683GEBW	Red	624	710	120	2.0	20	30
	True Green	525	1400	120	3.2	20	30
	Blue	470	355	120	3.2	20	30
LTST-A683BEGW	Red	624	710	120	2.0	20	30
	True Green	525	1400	120	3.2	20	30
	Blue	470	355	120	3.2	20	30

PLCC_Top View_Multi Color

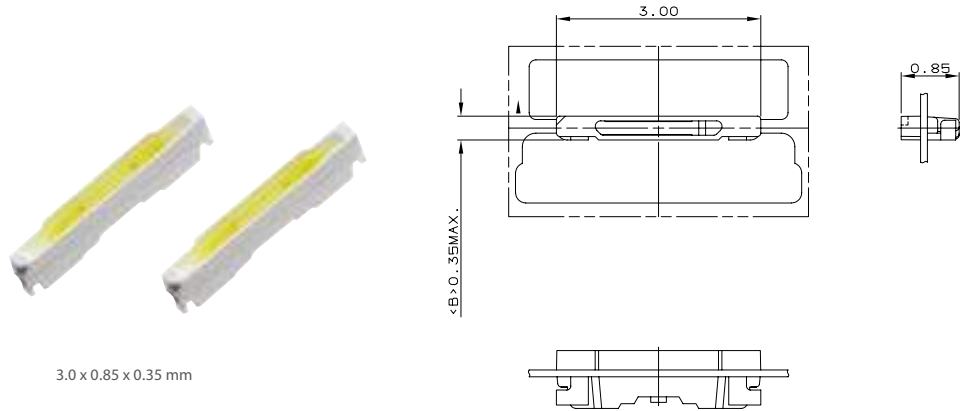


7.4 x 5.0 x 1.3 mm



Part No.	Color	λ_d (nm)	Typ. Luminous Intensity I_v (mcd)	Typ. Luminous Flux Φ_v (lm)	View Angle $2\theta_{1/2}$	Typ. Forward Voltage V_F (V)	Forward Current I_F (mA)	Max. Forward Current I_F (mA)
LTPL-P033RGB	Red	625	6800	21	120	2.2	150	300
	True Green	525	10000	30	120	3.2	150	300
	Blue	460	3000	9	120	3.1	150	300

PLCC_Side View



3.0 x 0.85 x 0.35 mm

Part No.	Color	CIE(x,y)	Typ. Luminous Flux Φ_v (lm)	View Angle $2\theta_{1/2}$	Typ. Forward Voltage V_f (V)	Forward Current I_f (mA)	Max. Forward Current I_f (mA)
LTW-303DCG-KB	White	(0.285, 0.265)	7.2	120	3.0	20	30

Flash LED

SMD LED

Through Hole Lamp

LED Display

Automotive LED

Signage LED

Lighting LED

Infrared Emitter and Detector

Optical Sensors

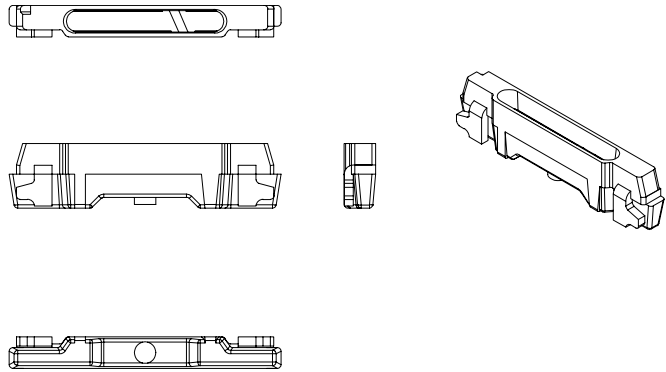
Photocoupler

UV LED

PLCC_Side View

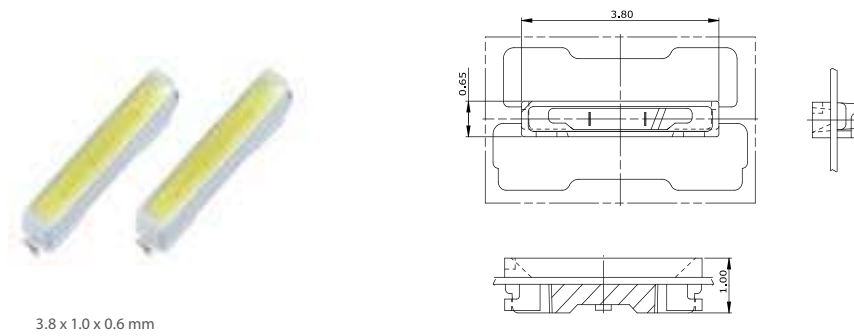


3.8 x 1.0 x 0.4 mm
3.8 x 0.9 x 0.43 mm (LTW-010ZDCG only)



Part No.	Color	λ_d (nm)/ CIE(x,y)	Typ. Luminous Intensity I_v (mcd)	View Angle $2\theta_{1/2}$	Typ. Forward Voltage V_f (V)	Forward Current I_f (mA)	Max. Forward Current I_f (mA)
LTST-010KRKT	Red	631	180	120	2	20	30
LTW-010SCR	Red	620	720	120	2.2	20	30
LTST-010KFKT	Orange	605	180	120	2	20	30
LTST-010KSKT	Yellow	589	280	120	2	20	30
LTST-010KGKT	Yellow Green	571	112	120	2	20	30
LTW-010SCG	True Green	525	2400	120	3.0	20	30
LTST-010TGKT	True Green	525	450	120	3.2	20	30
LTST-010TBKT	Blue	470	140	120	3.2	20	30
LTW-010SCB	Blue	465	500	120	3.0	20	30
LTW-010DCG	White	(0.300, 0.283)	2100	120	3.1	20	30
LTW-010DCG-TR	White	(0.293, 0.283)	2500	120	3.0	20	30
LTW-010SCSK	Sakura Pink	(0.45, 0.26)	1700	120	3.0	20	30
LTW-010SCVL	Violet	(0.32, 0.19)	1700	120	3.0	20	30

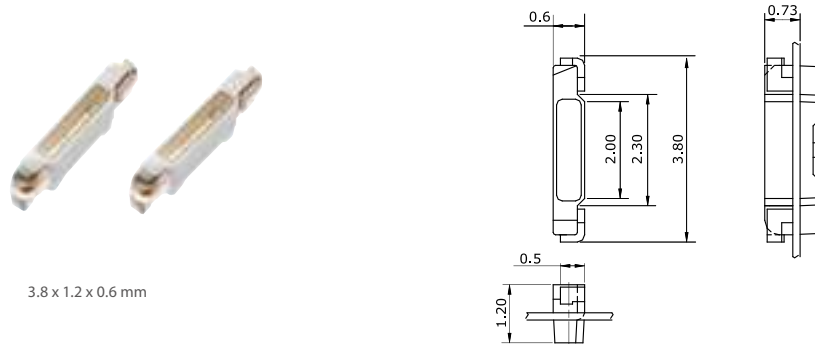
PLCC_Side View



3.8 x 1.0 x 0.6 mm

Part No.	Color	λ_d (nm)/ CIE(x,y)	Typ. Luminous Flux Φ_v (lm)	View Angle $2\theta_{1/2}$	Typ. Forward Voltage V_f (V)	Forward Current I_f (mA)	Max. Forward Current I_f (mA)
LTW-206KRKT	■ Red	620	2.25	120	2.2	20	30
LTW-206VFKT-PX	■ Orange	605	2.38	120	2.2	20	30
LTW-206DCG-TMS	□ White	(0.285, 0.267)	8	120	3.0	20	30
LTW-206DCG-TM	□ White	(0.285, 0.267)	8.5	120	3.1	20	30

PLCC_Side View



3.8 x 1.2 x 0.6 mm

Part No.	Color	λ_d (nm)/ CIE(x,y)	Typ. Luminous Intensity I_v (mcd)	View Angle $2\theta_{1/2}$	Typ. Forward Voltage V_f (V)	Forward Current I_f (mA)	Max. Forward Current I_f (mA)
LTST-020KRKT	■ Red	631	180	120	2	20	30
LTST-020KFKT	■ Orange	605	180	120	2	20	30
LTST-020KSKT	■ Yellow	589	280	120	2	20	30
LTST-020KGKT	■ Yellow Green	571	112	120	2	20	30
LTST-020TGKT	■ True Green	525	450	120	3.2	20	30
LTST-020TBKT	■ Blue	470	140	120	3.2	20	30
LTW-020ZDCG	□ White	(0.297, 0.278)	1300	120	3.1	20	30
LTW-006DCG-E2	□ White	(0.277, 0.257)	2100	120	3.1	20	30

Flash LED

SMD LED

Through Hole Lamp

LED Display

Automotive LED

Signage LED

Lighting LED

Infrared Emitter and
Detector

Optical Sensors

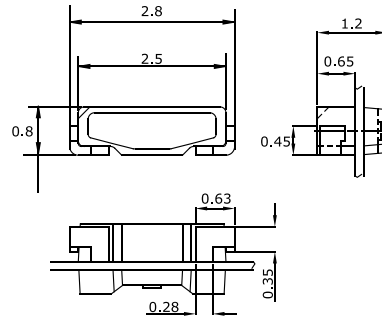
Photocoupler

UV LED

PLCC_Side View

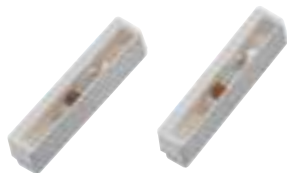


2.8 x 1.2 x 0.8 mm
2.85 x 1.2 x 0.8 mm (LTW-108DCG only)

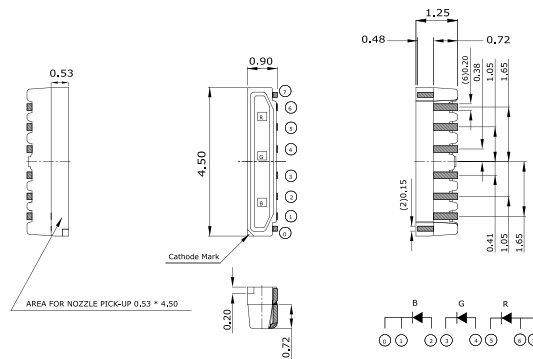


Part No.	Color	λ_d (nm)/ CIE(x,y)	Typ. Luminous Intensity I_v (mcd)	View Angle $2\theta_{1/2}$	Typ. Forward Voltage V_f (V)	Forward Current I_f (mA)	Max. Forward Current I_f (mA)
LTST-108KRKT	Red	631	180	120	2	20	30
LTST-108KFKT	Orange	605	180	120	2	20	30
LTST-108KSKT	Yellow	589	280	120	2	20	30
LTST-108KGKT	Yellow Green	571	140	120	2	20	30
LTST-108TGKT	True Green	525	710	120	3.2	20	30
LTST-108TBKT	Blue	470	180	120	3.2	20	30
LTW-008ZDCG	White	(0.295, 0.273)	1200	120	3.1	20	30
LTW-108SEG-W	White	(0.295, 0.280)	2200	120	3.1	20	30

PLCC_Side View_Dual Color

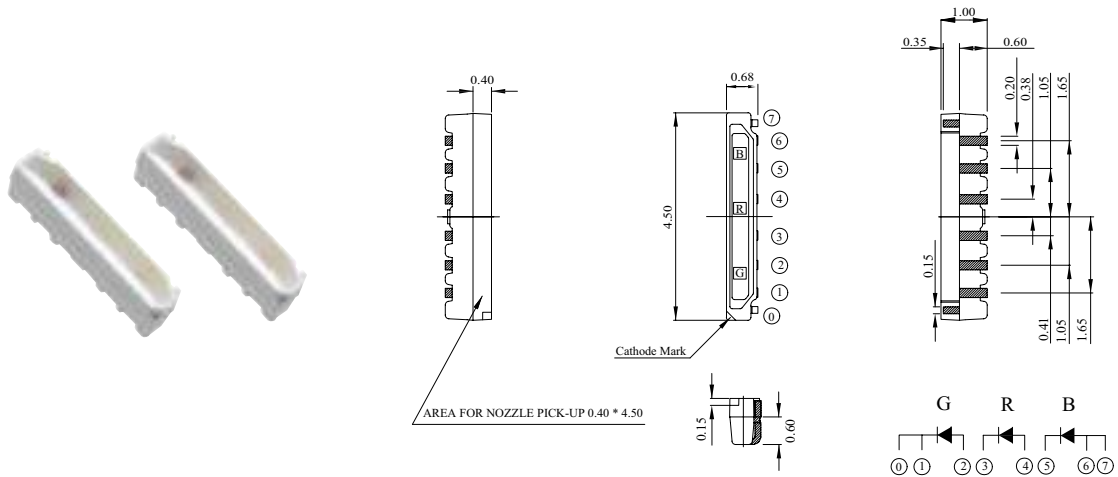


4.5 x 1.25 x 0.8 mm



Part No.	Color	λ_d (nm)	Typ. Luminous Intensity I_v (mcd)	View Angle $2\theta_{1/2}$	Typ. Forward Voltage V_f (V)	Forward Current I_f (mA)	Max. Forward Current I_f (mA)
LTST-008TGKEWT	Red	624	450	120	2	20	30
	True Green	525	710		3.2	20	30

PLCC_Side View_Multi Color



Part No.	Color	λ_c (nm)	Typ. Luminous Intensity I_v (mcd)	View Angle $2\theta_{1/2}$	Typ. Forward Voltage V_f (V)	Forward Current I_f (mA)	Max. Forward Current I_f (mA)
LTST-006BGEW	■ Red	624	450	120	2	20	30
	■ True Green	525	710		3.2	20	30
	■ Blue	470	180		3.2	20	30
LTST-006GEBW	■ True Green	525	1400	120	3.2	20	30
	■ Red	624	710		2	20	30
	■ Blue	470	350		3.2	20	30

Flash LED

SMD LED

Through Hole Lamp

LED Display

Automotive LED

Signage LED

Lighting LED

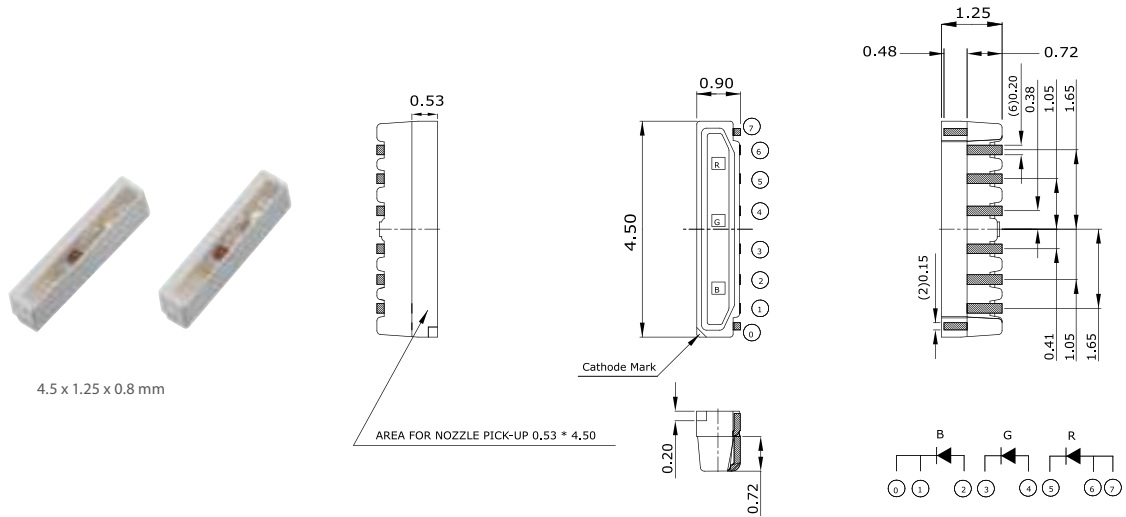
Infrared Emitter and Detector

Optical Sensors

Photocoupler

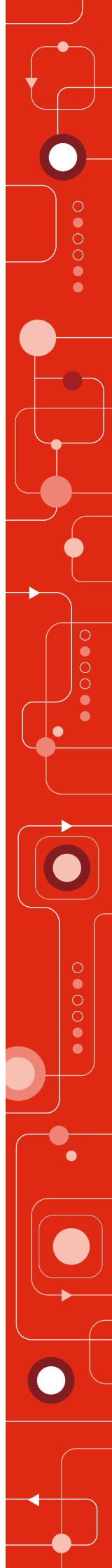
UV LED

PLCC_Side View_Multi Color



Part No.	Color	λ_d (nm)	Typ. Luminous Intensity I_v (mcd)	Typ. Luminous Flux Φ_v (lm)	View Angle $2\theta_{1/2}$	Typ. Forward Voltage V_f (V)	Forward Current I_f (mA)	Max. Forward Current I_{fmax} (mA)
LTST-008BGEW	Red	624	450	-	120	2	20	30
	True Green	525	710	-		3.2	20	30
	Blue	470	180	-		3.2	20	30
LTST-008GEBW	True Green	525	1400	-	120	3.2	20	30
	Red	624	710	-		2	20	30
	Blue	470	350	-		3.2	20	30
LTST-008EGSW	Red	624	710	-	120	2	20	30
	True Green	525	1120	-		3.2	20	30
	Yellow	589	710	-		2	20	30
LTW-008RGB2-PH1	Blue	465	-	9	120	2.1	25	30
	True Green	525	-			3.2	30	30
	Red	620	-			3.1	15	30

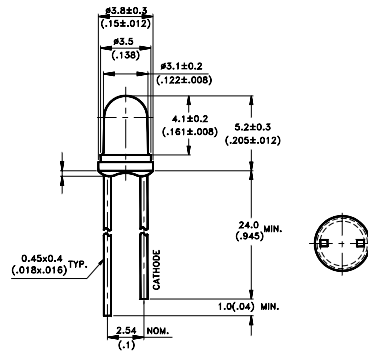
Through Hole Lamp



3mm



3mm Round

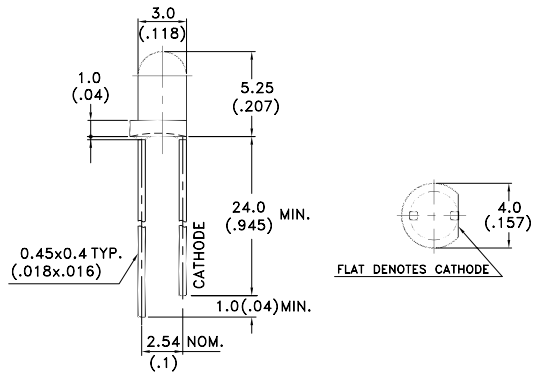


Part No.	Color	Resin Color	λ_d (nm)/ CIE (x,y)	Min. Luminous Intensity I _v (mcd)	Max. Luminous Intensity I _v (mcd)	View Angle $2\theta_{1/2}$	Typ. Forward Voltage V _F (V)	Forward Current I _F (mA)
LTL1CHKEKNN	Red	Water Clear	624	90	280	45	2.1	20
LTL1CHKFKNN	Amber	Water Clear	605	140	450	45	2.1	20
LTL1CHKSKNN	Yellow	Water Clear	587	140	450	45	2.1	20
LTL1CHKGKNN	Yellow Green	Water Clear	572	56	180	45	2.1	20
LTL1CHTGK6	True Green	Water Clear	525	280	900	30	3.2	20
LTL1CHTBK5	Blue	Water Clear	470	140	450	30	3.2	20
LTW-1CHDS4	White	Water Clear	(0.29, 0.28)	1150	5500	45	3.2	20
LTW-1GHCV4	White	Water Clear	(0.29, 0.28)	2500	7000	45	3.2	20
LTW-87HD4BSZ	White	Water Clear	(0.25, 0.21)	85	400	130	3.2	20

3mm



3mm Round

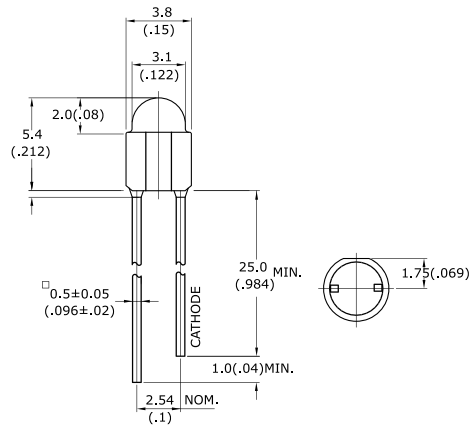


Part No.	Color	Resin Color	λ_d (nm)/ CIE (x,y)	Min. Luminous Intensity I _v (mcd)	Max. Luminous Intensity I _v (mcd)	View Angle $2\theta_{1/2}$	Typ. Forward Voltage V _F (V)	Forward Current I _F (mA)
LTL1NHEG6D	Red	Red Diffused	625	23	110	90	2.1	10
LTL1NHSJ4D	Yellow	Yellow Diffused	590	240	1150	25	2.1	20
LTL1NHGB4D	Yellow Green	Green Diffused	570	11	85	40	2.1	10
LTL1NHTGT4TZ	True Green	Green Transparent	525	1150	3500	45	3.2	20
LTL1NHTBH4J	Blue	White Diffused	470	85	520	45	3.2	20
LTW-1NH DY2	White	Water Clear	(0.27, 0.25)	4200	16000	25	3.2	20
LTW-1NHDR7JW	White	White Diffused	(0.42, 0.40)	1000	2700	70	3.2	20

3mm



3mm Round



Part No.	Color	Resin Color	λ_d (nm)/ CIE (x,y)	Min. Luminous Intensity I _v (mcd)	Max. Luminous Intensity I _v (mcd)	View Angle 2 $\theta_{1/2}$	Typ. Forward Voltage V _F (V)	Forward Current I _F (mA)
LTL17KRH5D	■ Super Red	Red Diffused	631	110	400	50	2.1	20
LTL17KRL6D	■ Red	Red Diffused	625	310	680	60	2.1	20
LTL17KET3KS	■ Red	Water Clear	624	2500	5500	30	2.1	20
LTL17KFL5D	■ Amber	Amber Diffused	605	140	680	50	2.1	20
LTL17KSL5D	■ Yellow	Yellow Diffused	587	180	880	50	2.1	20
LTL17KGH5D	■ Yellow Green	Green Diffused	571	110	520	50	2.1	20
LTL17KCGP4J	■ True Green	White Diffused	527	680	1900	40	3.3	20
LTL17KTGX3KS	■ True Green	Water Clear	525	5500	9300	30	3.2	20
LTL17KCBH5D	■ Blue	Blue Diffused	470	180	880	50	3.2	20
LTL17KTBS3KS	■ Blue	Water Clear	470	1500	3200	30	3.2	20
LTW-17KDU4Z	□ White	Water Clear	(0.29, 0.28)	1900	5500	45	3.2	20

Flash LED

SMD LED

Through Hole Lamp

LED Display

Automotive LED

Signage LED

Lighting LED

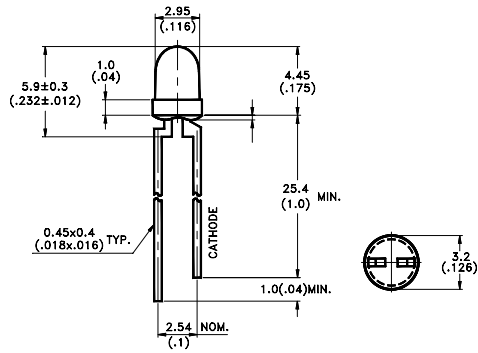
Infrared Emitter and
Detector

Optical Sensors

Photocoupler

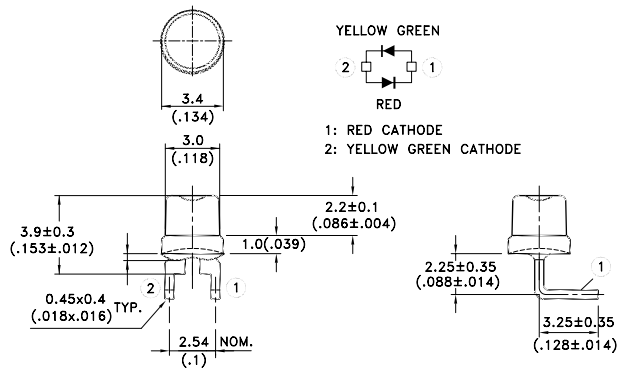
UV LED

3mm



Part No.	Color	Resin Color	λ_d (nm)/ CIE (x,y)	Min. Luminous Intensity I_v (mcd)	Max. Luminous Intensity I_v (mcd)	View Angle $2\theta_{1/2}$	Typ. Forward Voltage V_f (V)	Forward Current I_f (mA)
LTL42NKRKNN	Super Red	Water Clear	631	110	520	56	2.1	20
LTL42NKFKNN	Amber	Water Clear	605	140	680	56	2.1	20
LTL42NKSNN	Yellow	Water Clear	587	180	710	56	2.1	20
LTL42NKGKNN	Yellow Green	Water Clear	571	140	680	56	2.1	20
LTL42TG6N	True Green	Water Clear	530	600	3390	45	3.5	20
LTL42TB6N	Blue	Water Clear	470	310	1500	45	3.5	20
LTW-42NDP4	White	Water Clear	(0.3, 0.3)	400	1900	45	3.3	20

3mm_Dual Color

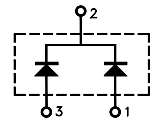
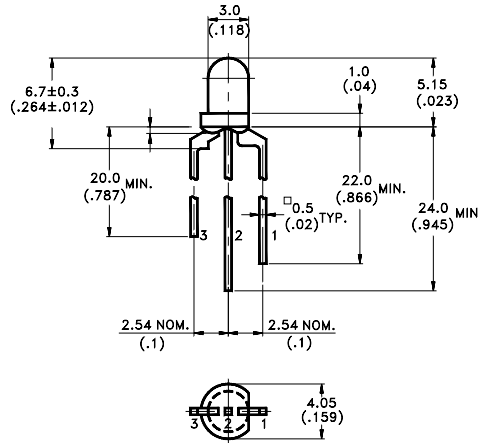


Part No.	Color	Resin Color	λ_d (nm)/ CIE (x,y)	Min. Luminous Intensity I_v (mcd)	Max. Luminous Intensity I_v (mcd)	View Angle $2\theta_{1/2}$	Typ. Forward Voltage V_f (V)	Forward Current I_f (mA)
LTL67HGEJ	Red	White Diffused	624	14	65	110	2.1	20
	Yellow Green		570	14	65		2.1	

3mm_Dual Color



3mm Round



- 1. YELLOW ANODE
- 2. COMMON CATHODE
- 3. GREEN ANODE

Part No.	Color	Resin Color	λ_d (nm)/ CIE (x,y)	Min. Luminous Intensity I_v (mcd)	Max. Luminous Intensity I_v (mcd)	View Angle $2\theta_{1/2}$	Typ. Forward Voltage V_f (V)	Forward Current I_f (mA)
LTL1BETBEK5-HF	Red	White Diffused	624	400	1900	30	2.1	20
	Blue		470	180	1500			
LTL1BETBYR5	Yellow	White Diffused	592	140	680	30	2.1	20
	Blue		470	110	880			
LTL1BEKVJNN	Red	White Diffused	624	65	250	45	2.1	20
	Yellow Green		572	65	450			
LTW-1BEEDNJZ	Red	White Diffused	624	110	310	30	2.1	20
	White		(0.26, 0.22)	520	1500			
LTW-1BETBKJLC	Blue	White Diffused	470	38	200	30	2.95	5
	White		(0.3, 0.3)	240	1150			

Flash LED

SMD LED

Through Hole Lamp

LED Display

Automotive LED

Signage LED

Lighting LED

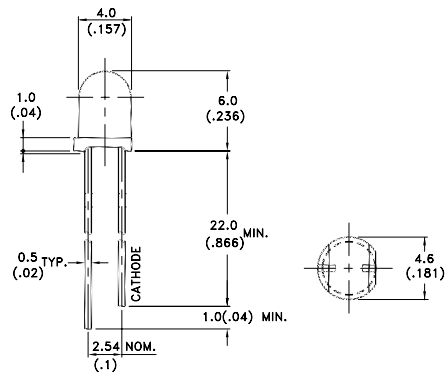
Infrared Emitter and
Detector

Optical Sensors

Photocoupler

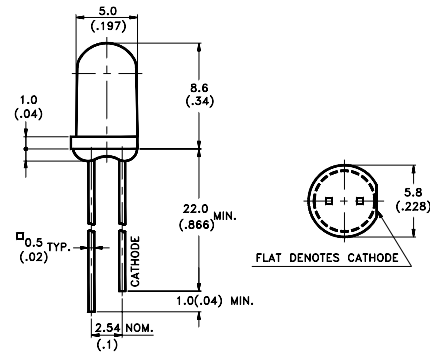
UV LED

4mm



Part No.	Color	Resin Color	λ_d (nm)/ CIE (x,y)	Min. Luminous Intensity I_v (mcd)	Max. Luminous Intensity I_v (mcd)	View Angle $2\theta_{1/2}$	Typ. Forward Voltage V_f (V)	Forward Current I_f (mA)
LTL17HGL4T	Yellow Green	Green Transpaned	570	110	520	40	2.1	10
LTW-17HDU6J	White	White Diffused	(0.27, 0.25)	2500	5500	60	3.2	20
LTW-17HDWSJ	White	White Diffused	(0.27, 0.24)	5500	9300	55	3.2	20
LTW-17HDY4	White	White Diffused	(0.3, 0.3)	5000	1200	40	3.2	20

5mm

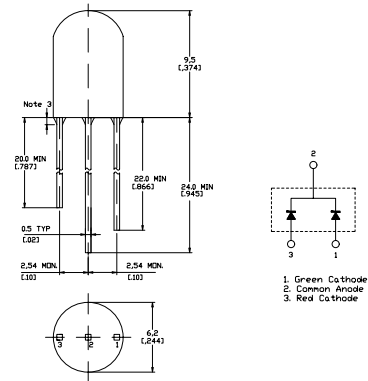


Part No.	Color	Resin Color	λ_d (nm)/ CIE (x,y)	Min. Luminous Intensity I_v (mcd)	Max. Luminous Intensity I_v (mcd)	View Angle $2\theta_{1/2}$	Typ. Forward Voltage V_f (V)	Forward Current I_f (mA)
LTL2R3KRK	Red	Water Clear	631	310	1500	30	2	20
LTL2R3KFK	Orange	Water Clear	605	240	1150	30	2	20
LTL2R3KSK	Yellow	Water Clear	589	180	1150	30	2	20
LTL2R3KKG	Yellow Green	Water Clear	572	85	400	30	2	20
LTL2T3TGK6	True Green	Water Clear	525	1900	9300	30	3.2	20
LTL2T3TBK5	Blue	Water Clear	470	520	3200	30	3.2	20
LTW-2L3DV5	White	Water Clear	(0.29, 0.28)	2500	9300	30	3.2	20
LTW-2S3D8	White	Water Clear	(0.3, 0.3)	13000	29000	15	3.2	20
LTW-2V3DS3	White	Water Clear	(0.3, 0.3)	1150	3200	30	3.2	20
LTW-2W3DRA	White	Water Clear	(0.3, 0.3)	1150	3200	100	3.2	20

5mm_Dual Color



5mm Round

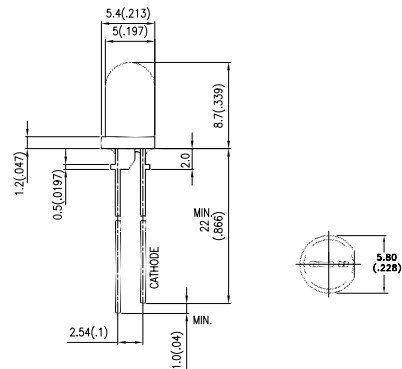


Part No.	Color	Resin Color	λ_d (nm)	Min. Luminous Intensity I _v (mcd)	Max. Luminous Intensity I _v (mcd)	View Angle 2θ _{1/2}	Typ. Forward Voltage V _F (V)	Forward Current I _F (mA)
LTL30EGCBKJ	■ Yellow Green	White Diffused	571	240	880	30	3.2	20
	■ Blue		470	140	520		2.1	
LTL30EJ9NN	■ Yellow	White Diffused	592	38	450	30	2.1	20
	■ Yellow Green		569	38	450		2.1	
LTL30EKDFGJ	■ Red	White Diffused	639	110	310	30	2.1	20
	■ Yellow Green		569	38	85		2.1	

5mm_0.5W



5mm Round



Part No.	Color	Lens Color	CIE (x,y)	Min. Luminous Intensity I _v (mcd)	Max. Luminous Intensity I _v (mcd)	View Angle 2θ _{1/2}	Typ. Forward Voltage V _F (V)	Forward Current I _F (mA)
LTW2H3D51K	■ White	Water Clear	(0.30, 0.30)	35000	76000	15	3.0	80
LTW2P3D52K	■ White	Water Clear	(0.30, 0.30)	35000	76000	23	3.0	80
LTW2R3D43K	■ White	Water Clear	(0.30, 0.30)	27000	59000	30	3.0	80

Flash LED

SMD LED

Through Hole Lamp

LED Display

Automotive LED

Signage LED

Lighting LED

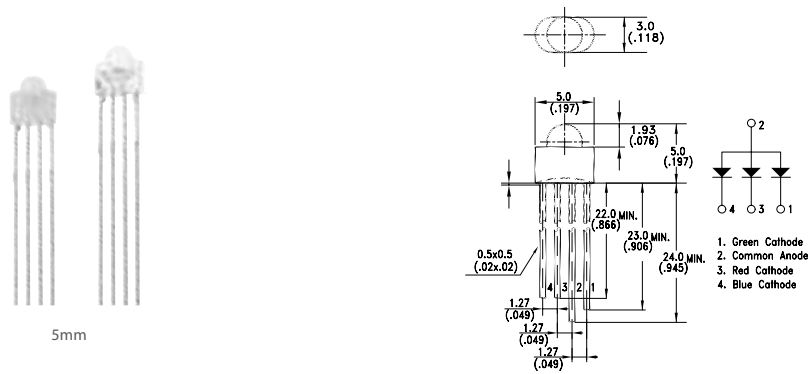
Infrared Emitter and Detector

Optical Sensors

Photocoupler

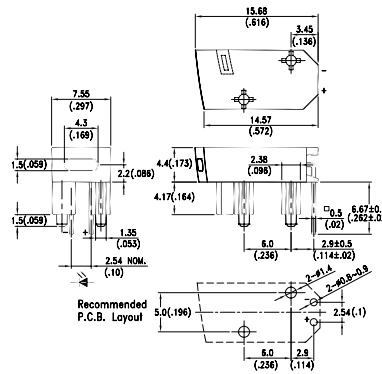
UV LED

RGB Lamp



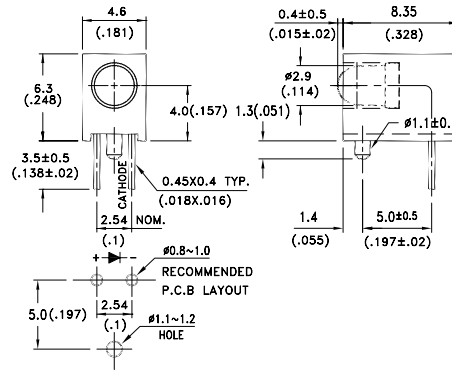
Part No	Color	Resin Color	λ_d (nm)	Min. Luminous Intensity I_v (mcd)	Max. Luminous Intensity I_v (mcd)	View Angle $2\theta_{1/2}$	Typ. Forward Voltage V_f (V)	Forward Current I_f (mA)
LTL750RGBHBJ	■ Red	White Diffused	634	140	725	110	2.2	20
	■ True Green		525	170	870		3.2	
	■ Blue		470	38	170		3.2	

Circuit Board Indicator (CBI)_ Single Level



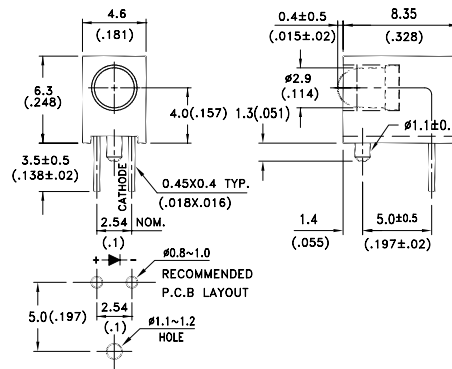
Part No.	Color	Resin Color	CIE(x,y)	Min. Luminous Intensity I_v (mcd)	Max. Luminous Intensity I_v (mcd)	View Angle $2\theta_{1/2}$	Typ. Forward Voltage V_f (V)	Forward Current I_f (mA)
LTW-R4MLDGDJH234	□ White	White Diffused	(0.3, 0.29)	140	520	H:130 V:120	3.2	20

Circuit Board Indicator (CBI)_Single Level



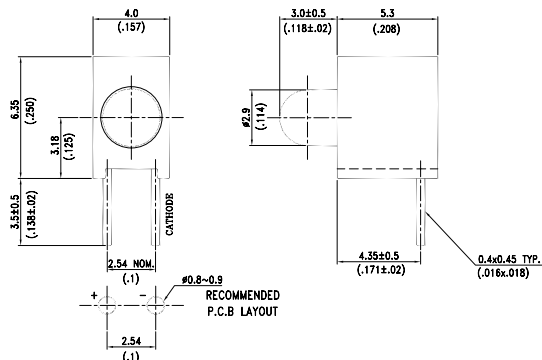
Part No.	Color	Resin Color	CIE (x,y)	Min. Luminous Intensity I _v (mcd)	Max. Luminous Intensity I _v (mcd)	View Angle 2θ _{1/2}	Typ. Forward Voltage V _F (V)	Forward Current I _F (mA)
LTW-42NDP4H218	White	Water clear	(0.3, 0.3)	400	1900	40	3.3	20

Circuit Board Indicator (CBI)_Single Level



Part No.	Color	Resin Color	λ _d (nm)	Min. Luminous Intensity I _v (mcd)	Max. Luminous Intensity I _v (mcd)	View Angle 2θ _{1/2}	Typ. Forward Voltage V _F (V)	Forward Current I _F (mA)
LTL-42NEW8DHBP-1	Red	Red Diffused	625	3.8	30	80	2.0	10

Circuit Board Indicator (CBI)_Single Level



Part No.	Color	Resin Color	λ _d (nm)	Min. Luminous Intensity I _v (mcd)	Max. Luminous Intensity I _v (mcd)	View Angle 2θ _{1/2}	Typ. Forward Voltage V _F (V)	Forward Current I _F (mA)
LTL42TG6NH184	True Green	Water clear	525	310	1500	45	3.5	20

Flash LED

SMD LED

Through Hole Lamp

LED Display

Automotive LED

Signage LED

Lighting LED

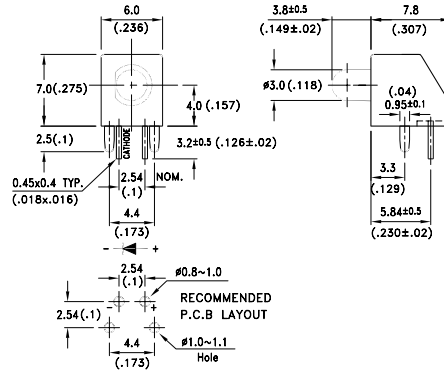
Infrared Emitter and Detector

Optical Sensors

Photocoupler

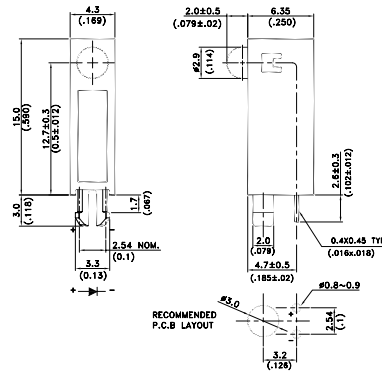
UV LED

Circuit Board Indicator (CBI)_Single Level



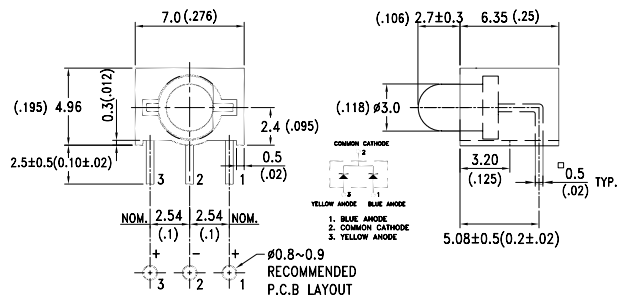
Part No.	Color	Resin Color	CIE (x,y)	Min. Luminous Intensity I _v (mcd)	Max. Luminous Intensity I _v (mcd)	View Angle 2θ _{1/2}	Typ. Forward Voltage V _F (V)	Forward Current I _F (mA)
LTW-1NHDR5JH231	White	White Diffused	(0.3, 0.29)	880	3200	65	3.2	20

Circuit Board Indicator (CBI)_Single Level



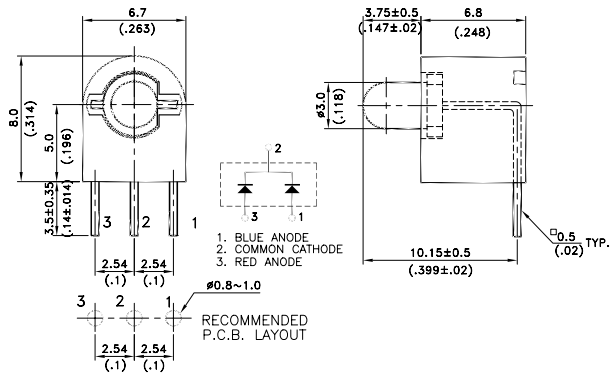
Part No.	Color	Resin Color	CIE (x,y)	Min. Luminous Intensity I _v (mcd)	Max. Luminous Intensity I _v (mcd)	View Angle 2θ _{1/2}	Typ. Forward Voltage V _F (V)	Forward Current I _F (mA)
LTW-42NDH8JH227	White	White Diffused	(0.3, 0.3)	85	400	80	3.2	20

Circuit Board Indicator (CBI)_Single Level



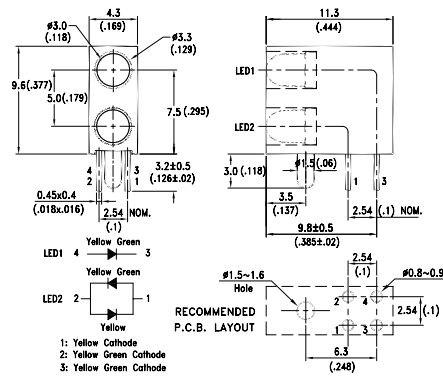
Part No.	Color	Resin Color	λ _d (nm)	Min. Luminous Intensity I _v (mcd)	Max. Luminous Intensity I _v (mcd)	View Angle 2θ _{1/2}	Typ. Forward Voltage V _F (V)	Forward Current I _F (mA)
LTL1BESTBKJH185P	Blue	White Diffused	468	12.6	100	75	3.2	20
	Yellow		591				2.1	

Circuit Board Indicator (CBI)_Single Level



Part No.	Color	Resin Color	λ_d (nm)	Min. Luminous Intensity I_v (mcd)	Max. Luminous Intensity I_v (mcd)	View Angle $2\theta_{1/2}$	Typ. Forward Voltage V_f (V)	Forward Current I_f (mA)
LTL1BETBEK5H149	Blue	Water clear	468	180	1500	30	3.5	20
	Red		632	400	1900		2.05	

Circuit Board Indicator (CBI)_Bi-Level



Part No.	Color	Resin Color	λ_d (nm)	Min. Luminous Intensity I_v (mcd)	Max. Luminous Intensity I_v (mcd)	View Angle $2\theta_{1/2}$	Typ. Forward Voltage V_f (V)	Forward Current I_f (mA)
LTL-14CM1H183	Yellow Green	Color Diffused	565	3	50	60	2.1	20
	Yellow		585			80		

Flash LED

SMD LED

Through Hole Lamp

LED Display

Automotive LED

Signage LED

Lighting LED

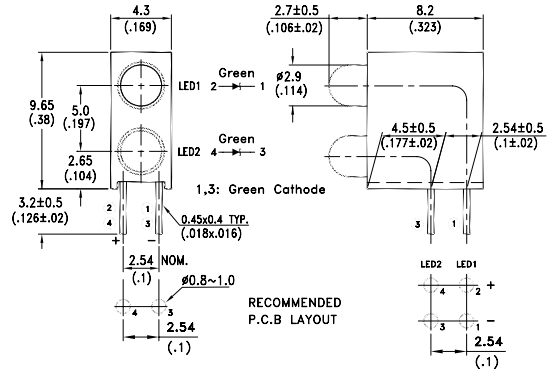
Infrared Emitter and Detector

Optical Sensors

Photocoupler

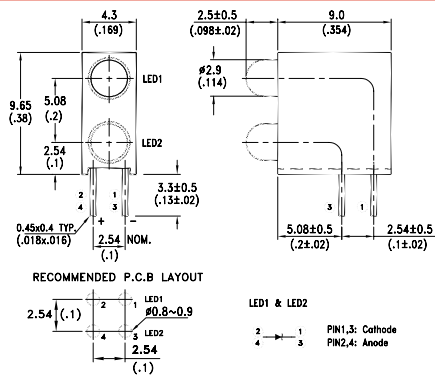
UV LED

Circuit Board Indicator (CBI)_Bi-Level



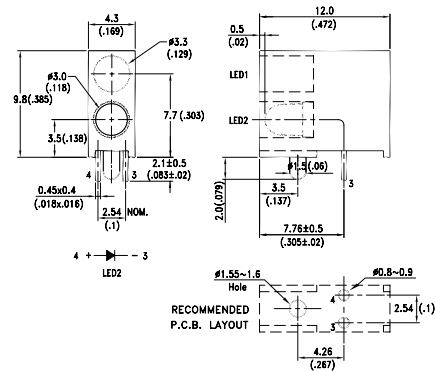
Part No.	Color	Resin Color	λ_d (nm)	Min. Luminous Intensity I _v (mcd)	Max. Luminous Intensity I _v (mcd)	View Angle 2 $\theta_{1/2}$	Typ. Forward Voltage V _F (V)	Forward Current I _F (mA)
LTL-42M4NH106	■ Yellow Green	Color Diffused	565	5.6	85	60	2.1	20

Circuit Board Indicator (CBI)_Bi-Level



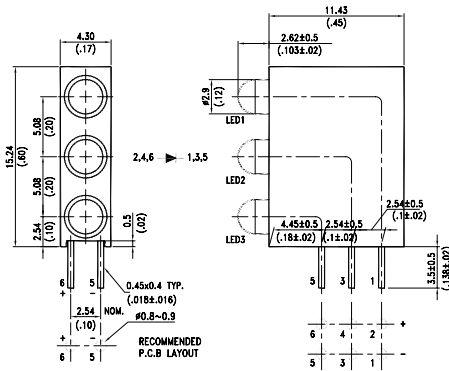
Part No.	Color	Resin Color	λ_d (nm)	Min. Luminous Intensity I _v (mcd)	Max. Luminous Intensity I _v (mcd)	View Angle 2 $\theta_{1/2}$	Typ. Forward Voltage V _F (V)	Forward Current I _F (mA)
LTL-42NGY8D2H214	■ Yellow Green	Color Diffused	572	8.7	180	100	2	10

Circuit Board Indicator (CBI)_Bi-Level



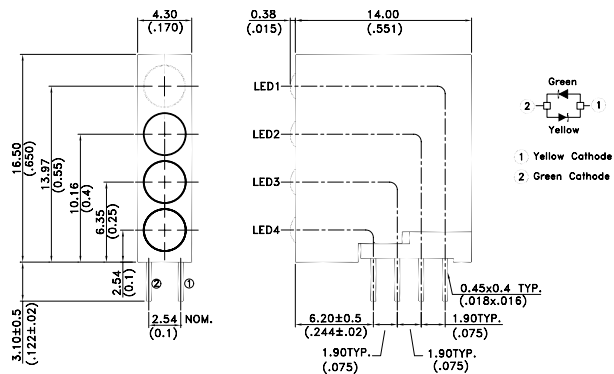
Part No.	Color	Resin Color	CIE (x,y)	Min. Luminous Intensity I _v (mcd)	Max. Luminous Intensity I _v (mcd)	View Angle 2 $\theta_{1/2}$	Typ. Forward Voltage V _F (V)	Forward Current I _F (mA)
LTW-42NDH8JH229	□ White	White Diffused	(0.3, 0.3)	85	400	80	3.2	20

Circuit Board Indicator (CBI)_Tri-Level



Part No.	Color	Resin Color	λ_d (nm)	Min. Luminous Intensity I_v (mcd)	Max. Luminous Intensity I_v (mcd)	View Angle $2\theta_{1/2}$	Typ. Forward Voltage V_f (V)	Forward Current I_f (mA)
LTL-42M3NHKP	Yellow Green	Green Diffused	569	7	-	60	2.1	20

Circuit Board Indicator (CBI)_Quad-Level



Part No.	Color	Resin Color	λ_d (nm)	Min. Luminous Intensity I_v (mcd)	Max. Luminous Intensity I_v (mcd)	View Angle $2\theta_{1/2}$	Typ. Forward Voltage V_f (V)	Forward Current I_f (mA)
LTL-14CDJNH79	Yellow Green	Color Diffused	565	3	-	80	2.1	20
	Yellow		585					

Flash LED

SMD LED

Through Hole Lamp

LED Display

Automotive LED

Signage LED

Lighting LED

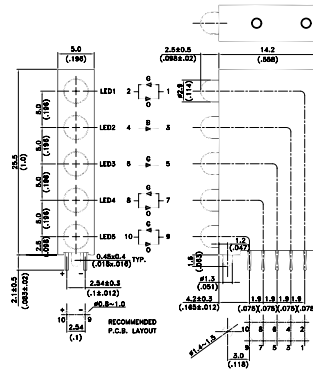
Infrared Emitter and Detector

Optical Sensors

Photocoupler

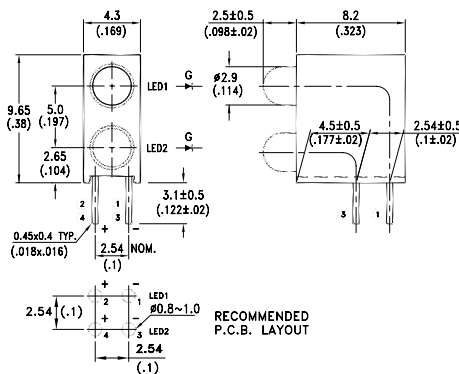
UV LED

Circuit Board Indicator (CBI)_Quin-Level



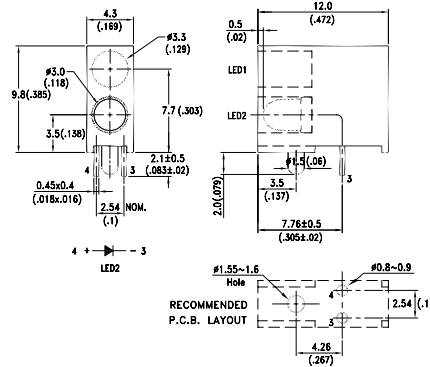
Part No.	Color	Resin Color	λ_d (nm)	Min. Luminous Intensity I _v (mcd)	Max. Luminous Intensity I _v (mcd)	View Angle $2\theta_{1/2}$	Typ. Forward Voltage V _F (V)	Forward Current I _F (mA)
LTL-14CM01H232	Orange	Color Diffused	605	3	1500	100	2.0	20
	Yellow		570				2.1	
	Blue		470				3.2	

Circuit Board Indicator (CBI)_PIP



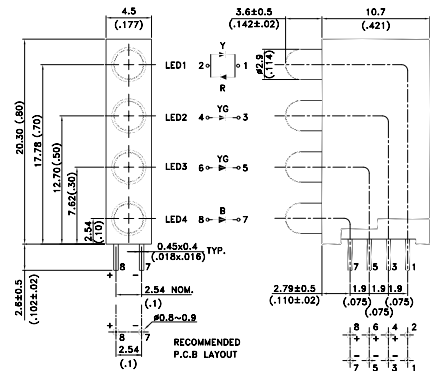
Part No.	Color	Resin Color	λ_d (nm)	Min. Luminous Intensity I _v (mcd)	Max. Luminous Intensity I _v (mcd)	View Angle $2\theta_{1/2}$	Typ. Forward Voltage V _F (V)	Forward Current I _F (mA)
LTL-R42NGYAD2H106	Yellow Green	Color Diffused	569	8.7	50	100	2.0	20

Circuit Board Indicator (CBI)_PIP



Part No.	Color	Resin Color	λ_d (nm)	Min. Luminous Intensity I_v (mcd)	Max. Luminous Intensity I_v (mcd)	View Angle $2\theta_{1/2}$	Typ. Forward Voltage V_F (V)	Forward Current I_F (mA)
LTL-R42NGYADH229	■ Yellow Green	Color Diffused	569	8.7	50	100	2.0	20

Circuit Board Indicator (CBI)_PIP



Part No.	Color	Resin Color	λ_d (nm)	Min. Luminous Intensity I_v (mcd)	Max. Luminous Intensity I_v (mcd)	View Angle $2\theta_{1/2}$	Typ. Forward Voltage V_F (V)	Forward Current I_F (mA)
LTL-R42M12NH51	■ Red	Color Diffused	624	8.7	880	60	2.0	20
	■ Yellow Green		569				2.1	
	■ Blue		470				3.2	

Flash LED

SMD LED

Through Hole Lamp

LED Display

Automotive LED

Signage LED

Lighting LED

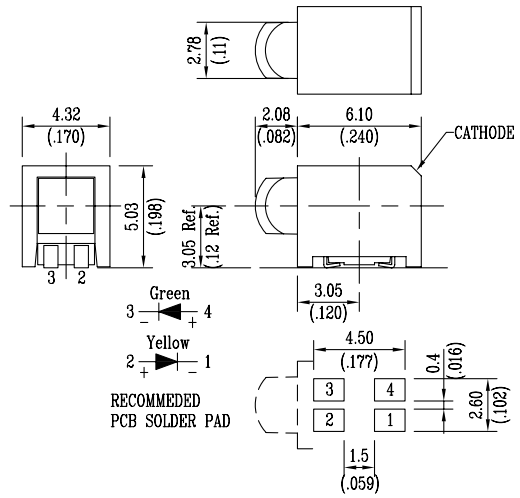
Infrared Emitter and Detector

Optical Sensors

Photocoupler

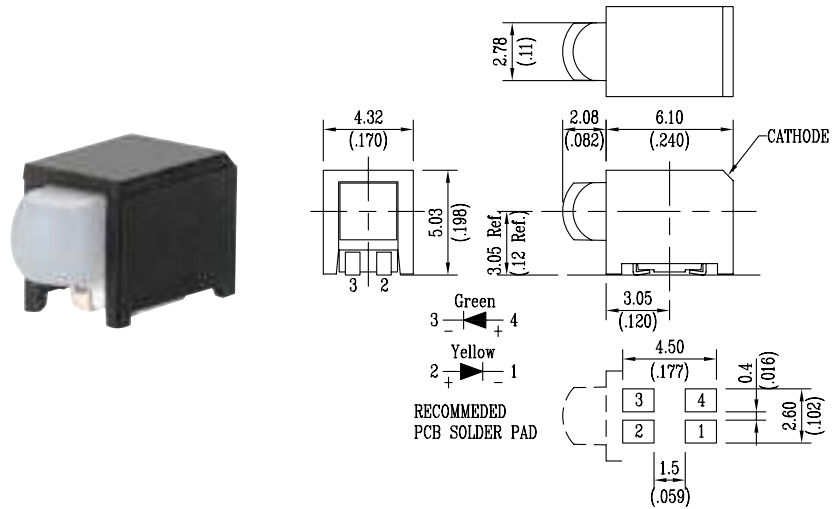
UV LED

Circuit Board Indicators (CBI) with SMD LED



Part No.	Color	Resin Color	λ_d (nm)	Min. Luminous Intensity I_v (mcd)	Max. Luminous Intensity I_v (mcd)	View Angle $2\theta_{1/2}$	Typ. Forward Voltage V_f (V)	Forward Current I_f (mA)
LTL-M12RG1H300Q	■ Red	White Diffused	630	4.5	50	120	2	20
	■ Yellow Green		570					

Circuit Board Indicators (CBI) with SMD LED



Part No.	Color	Resin Color	λ_d (nm)	Min. Luminous Intensity I_v (mcd)	Max. Luminous Intensity I_v (mcd)	View Angle $2\theta_{1/2}$	Typ. Forward Voltage V_f (V)	Forward Current I_f (mA)
LTL-M12YG1H300Q	Yellow	White Diffused	590	4.5	50	120	2	20
	Yellow Green		570					

Flash LED

SMD LED

Through Hole Lamp

LED Display

Automotive LED

Signage LED

Lighting LED

Infrared Emitter and Detector

Optical Sensors

Photocoupler

UV LED

LED Display

LED Display Quick View Table

Numeric Display

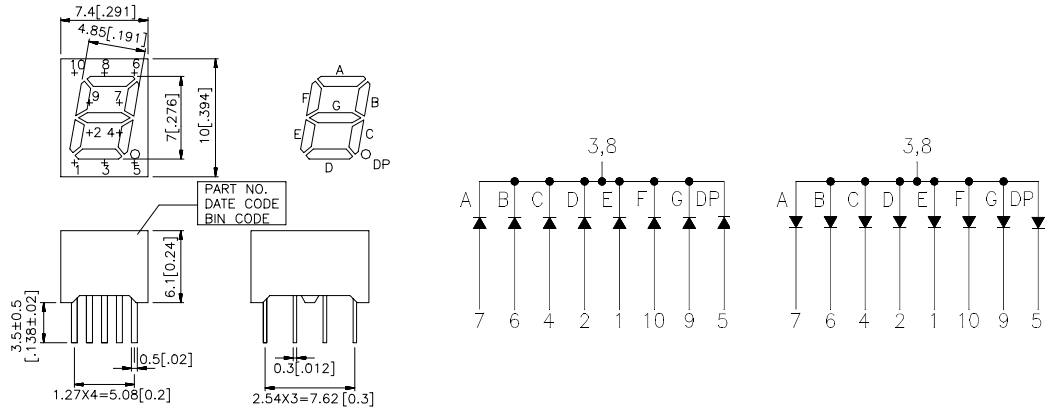
Product Type	Digit	5.08 mm	7 mm	7.62 mm	8 mm	9 mm
Through Hole Type	Single Digit		LTS-2301(CC) LTS-2801(CA)	LTS-3361(CC) LTS-3861(CA)	LTS-3385(CC) LTS-3885(CA)	
	Dual Digits		LTD-2601(CA) LTD-2701(CC)	LTD-322(CC) LTD-323(CA)	-	
	Triple Digits		LTC-2621(CA) LTC-2721(CC)	-	-	
	Quadruple Digits	LTC-26C7 (CA)	LTC-2623(CA) LTC-2723(CC) LTC-2650(CA) LTC-2750(CC)	LTC-3710(CC)		
	Quintuple Digits	LTF-2606 (CA)	LTF-2505 (CA)			
SMD Type	Single Digit	LTS-2307(CC) LTS-2807(CA)	LTS-2306(CC) LTS-2806(CA)	LTS-3386 (CC) LTS-3886 (CA)		
	Dual Digits	LTD-2404 (CA)				
	Triple Digits					

9.14 mm	10 mm	13.2 mm	14.22 mm	18.4 mm	20 mm	25.4 mm	57 mm
LTS-360 (CA) LTS-367 (CC)	LTS-4301(CC) LTS-4801(CA)	LTS-546(CC) LTS-547(CA)	LTS-5x01(CA) LTS-5x03(CC)			LTS-10304(CC) LTS-10804(CA)	LTS-23305(CC) LTS-23805(CA)
	LTD-4608(CA) LTD-4708(CC)	LTD-5250(CA) LTD-5260(CC)	LTD-5x21(CA) LTD-5x23(CC) LTD-6610(CA) LTD-6410(CC)		LTD-8302(CC) LTD-8802(CA)		-
	LTC-4624(CA) LTC-4724(CC)		LTC-561(CA) LTC-571(CC)	LTC-7500(CC)			-
	LTC-4627(CA) LTC-4727(CC) LTC-46D2(CA)		LTC-57C7(CC) LTC-5623(CA) LTC-5723(CC) LTC-5653(CA) LTC-5753(CC)		-		-
	LTS-4312(CC) LTS-4812(CA) LTS-4317(CC) LTS-4817(CA)		LTS-5325(CC) LTS-5825(CA)				
	LTD-4516(CC)		LTD-5435(CA)				
	LTC-46F6 (CA)						

Numeric Display_Single Digit



7mm (.28")
Dual-In-Line
.39" H x .29" W x .24" D

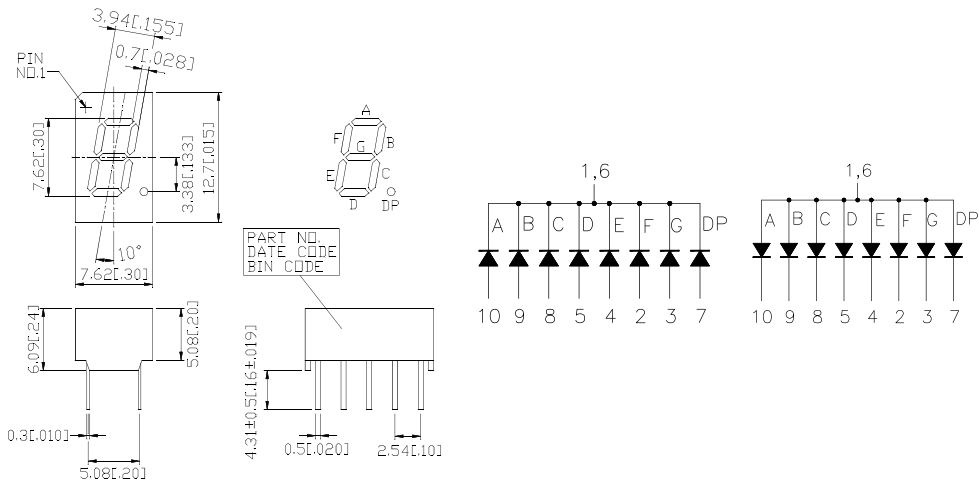


Part No.	Color	λ_d (nm)	Description	Typ. Luminous Intensity I _v /Seg @I _f =1mA (μcd)
LTS-2301AJD	Hyper Red	639	Common Cathode, Rt.Hand Decimal	600
LTS-2301AJR	Super Red	631		600
LTS-2301AKF	Orange	605		1200
LTS-2301AKS	Yellow	587		800
LTS-2301AKG	Yellow Green	572		800
LTS-2301ATB	Blue	470		10500
LTS-2801AJD	Hyper Red	639	Common Anode, Rt.Hand Decimal	600
LTS-2801AJR	Super Red	631		600
LTS-2801AKF	Orange	605		1200
LTS-2801AKS	Yellow	587		800
LTS-2801AKG	Yellow Green	572		800
LTS-2801ATB	Blue	470		10500

Numeric Display_Single Digit



7.62mm (.3")
Dual-In-Line
.5" H x .3" W x .2" D



Part No.	Color	λ_d (nm)	Description	Typ. Luminous Intensity I _v /Seg @I _f =1mA (μcd)
LTS-3361JD	Hyper Red	639	Common Cathode, Rt.Hand Decimal	600
LTS-3361JR	Super Red	631		600
LTS-3361JF	Orange	605		1200
LTS-3361JS	Yellow	587		800
LTS-3361JG	Yellow Green	572		800
LTS-3361TB	Blue	470	10500	
LTS-3861JD	Hyper Red	639	Common Anode, Rt.Hand Decimal	600
LTS-3861JR	Super Red	631		600
LTS-3861JF	Orange	605		1200
LTS-3861JS	Yellow	587		800
LTS-3861JG	Yellow Green	572		800
LTS-3861TB	Blue	470		10500

Flash LED

SMD LED

Through Hole Lamp

LED Display

Automotive LED

Signage LED

Lighting LED

Infrared Emitter and Detector

Optical Sensors

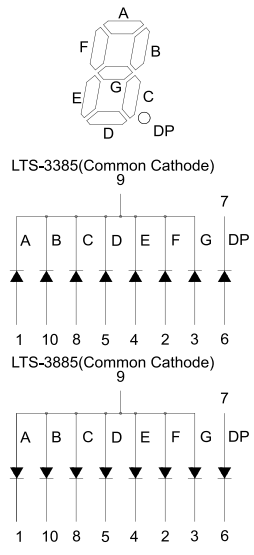
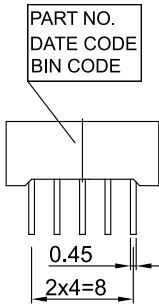
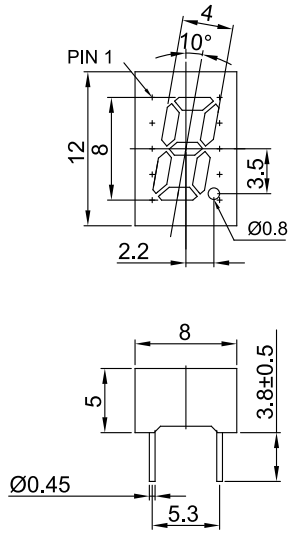
Photocoupler

UV LED

Numeric Display_Single Digit



8mm (.32")
Dual-In-Line
.47" H x .32" W x .2" D

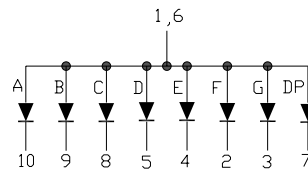
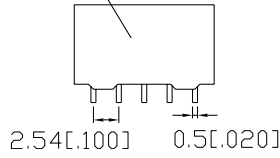
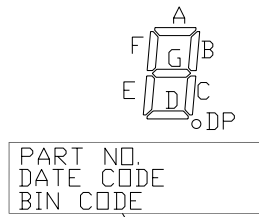
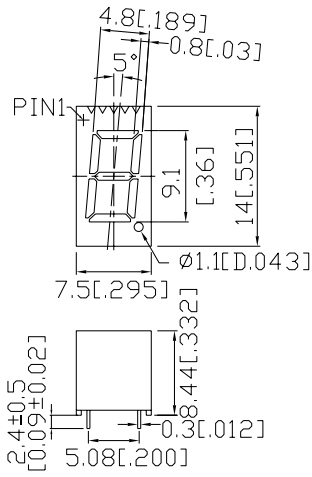


Part No.	Color	λ_d (nm)	Description	Typ. Luminous Intensity I _v /Seg @ I _f =1mA (μcd)
LTS-3385KD	■ Hyper Red	639	Common Cathode, Rt. Hand Decimal	900
LTS-3385KR	■ Super Red	631		900
LTS-3385KF	■ Orange	605		1200
LTS-3385KS	■ Yellow	587		1200
LTS-3385KG	■ Yellow Green	572		1200
LTS-3385TBE	■ Blue	470		10500
LTS-3885KD	■ Hyper Red	639	Common Anode, Rt. Hand Decimal	900
LTS-3885KR	■ Super Red	631		900
LTS-3885KF	■ Orange	605		1200
LTS-3885KS	■ Yellow	587		1200
LTS-3885KG	■ Yellow Green	572		1200
LTS-3885TBE	■ Blue	470		10500

Numeric Display_Single Digit



9.14mm (.36")
Dual-In-Line
.55" H x .3" W x .33" D



Part No.	Color	λ_0 (nm)	Description	Typ. Luminous Intensity Iv/Seg @ $I_f=1\text{mA}$ (μcd)
LTS-360KR	Hyper Red	639	Common Anode, Rt. Hand Decimal	975
LTS-360KD	Super Red	631		975
LTS-360KF	Orange	605		1200
LTS-360KS	Yellow	587		1200
LTS-360KG	Yellow Green	572		1200
LTS-367KR	Hyper Red	639	Common Cathode, Rt. Hand Decimal	900
LTS-367KD	Super Red	631		900
LTS-367KF	Orange	605		1200
LTS-367KS	Yellow	587		1200
LTS-367KG	Yellow Green	572		1200

Flash LED

SMD LED

Through Hole Lamp

LED Display

Automotive LED

Signage LED

Lighting LED

Infrared Emitter and Detector

Optical Sensors

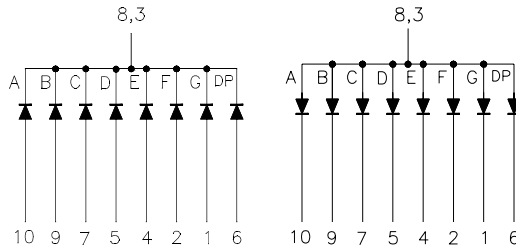
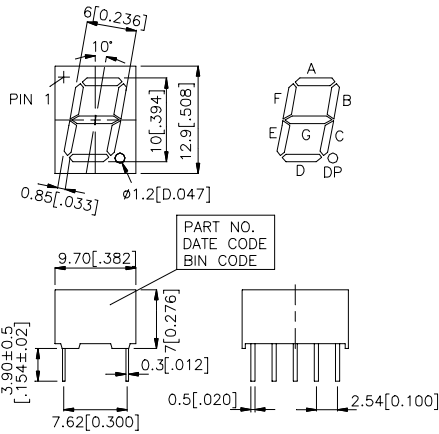
Photocoupler

UV LED

Numeric Display_Single Digit

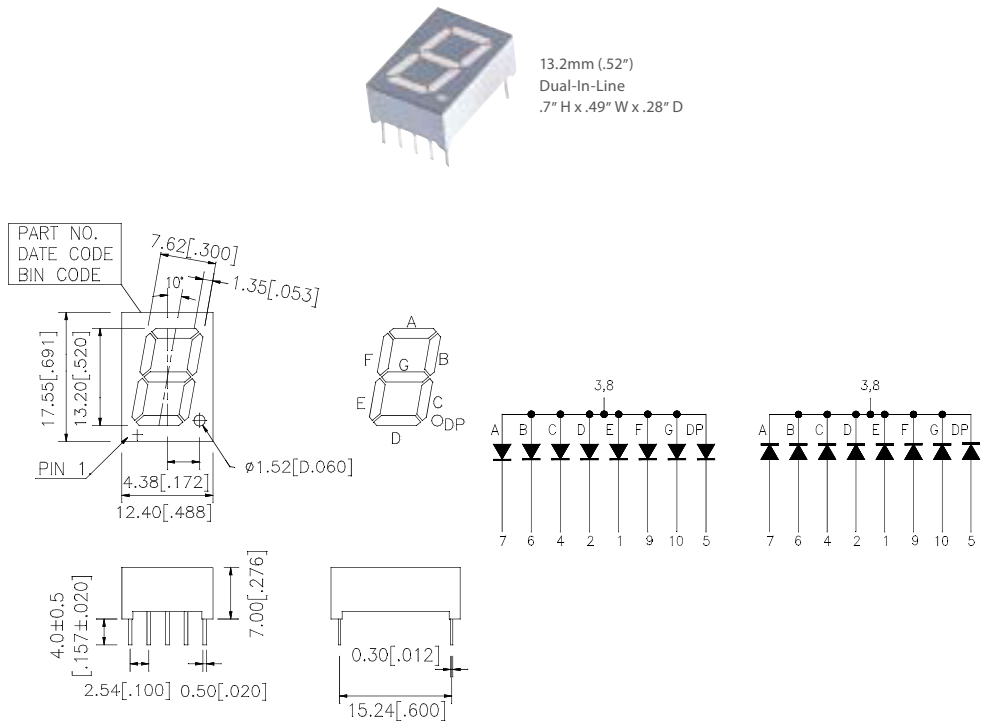


10.0mm (.4")
Dual-In-Line
.5" H x .38" W x .27" D



Part No.	Color	λ_d (nm)	Description	Typ. Luminous Intensity I _v /Seg @I _f =1mA (μcd)
LTS-4301JD	Hyper Red	639	Common Cathode, Rt.Hand Decimal	650
LTS-4301JR	Super Red	631		650
LTS-4301JF	Orange	605		1300
LTS-4301JS	Yellow	587		850
LTS-4301JG	Yellow Green	572		850
LTS-4301TB	Blue	470		10500
LTS-4801JD	Hyper Red	639	Common Anode, Rt.Hand Decimal	650
LTS-4801JR	Super Red	631		650
LTS-4801JF	Orange	605		1300
LTS-4801JS	Yellow	587		850
LTS-4801JG	Yellow Green	572		850
LTS-4801TB	Blue	470		10500

Numeric Display_Single Digit



Part No.	Color	λ_0 (nm)	Description	Typ. Luminous Intensity Iv/Seg @ $I_f=1\text{mA}$ (μcd)	
LTS-546AJD	Hyper Red	639	Common Anode, Rt.Hand Decimal	700	
LTS-546AKR	Super Red	631		700	
LTS-546AKF	Orange	605		1600	
LTS-546AKS	Yellow	587		900	
LTS-546AJG	Yellow Green	572		900	
LTS-546TB	Blue	470		10500	
LTS-547AJD	Hyper Red	639	Common Cathode, Rt.Hand Decimal	700	
LTS-547AJR	Super Red	631		700	
LTS-547AKF	Orange	605		1600	
LTS-547AKS	Yellow	587		900	
LTS-547AJG	Yellow Green	572		900	
LTS-547TB	Blue	470			10500

Flash LED

SMD LED

Through Hole Lamp

LED Display

Automotive LED

Signage LED

Lighting LED

Infrared Emitter and Detector

Infrared Emitter and Detector

Optical Sensors

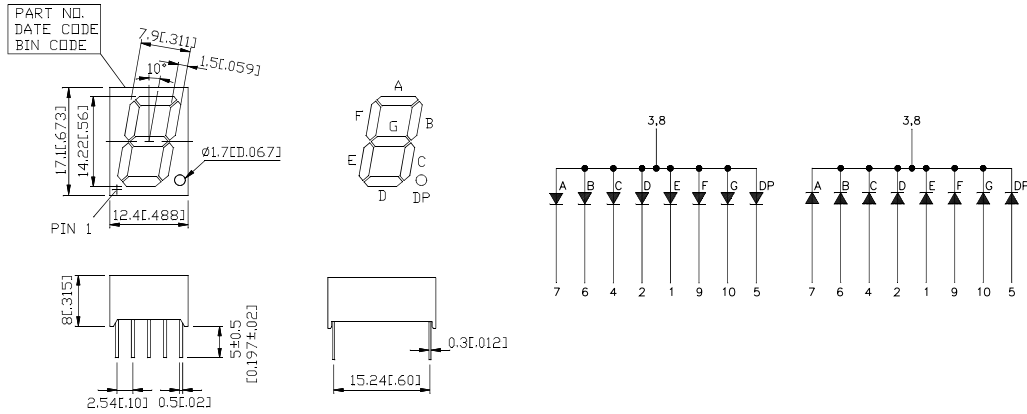
Photocoupler

UV LED

Numeric Display_Single Digit



14.22mm (.56")
Dual-In-Line
.67" H x .49" W x .32" D

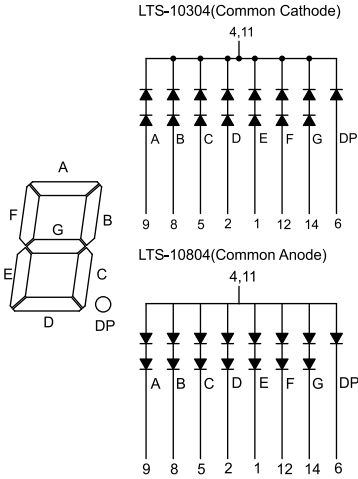
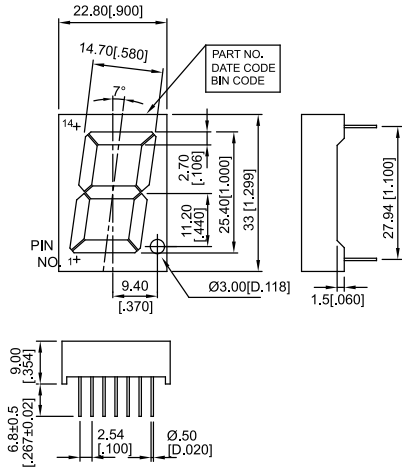


Part No.	Color	λ_0 (nm)	Description	Typ. Luminous Intensity I _v /Seg @I _f =1 mA (μcd)
LTS-5001AJD	Hyper Red	639	Common Anode, Rt.Hand Decimal	700
LTS-5001AJR	Super Red	631		700
LTS-5701AKF	Orange	605		1600
LTS-5701AJS	Yellow	587		900
LTS-5601AJG	Yellow Green	572		900
LTS-5501ATB	Blue	470	10500	
LTS-5003AJD	Hyper Red	639	Common Cathode, Rt.Hand Decimal	700
LTS-5003AJR	Super Red	631		700
LTS-5703AKF	Orange	605		1600
LTS-5703AJS	Yellow	587		900
LTS-5603AJG	Yellow Green	572		900
LTS-5503ATB	Blue	470	10500	

Numeric Display_Single Digit



25.4mm (1.0")
Dual-In-Line
.9°00 H x 1.299" W x.354 D



Part No.	Color	λ_d (nm)	Description	Typ. Luminous Intensity Iv/Seg @ $I_f=1\text{mA}$ (μcd)
LTS-10304KD	Hyper Red	639	Common Cathode, Rt.Hand Decimal	1800
LTS-10304KR	Super Red	631		1800
LTS-10304KF	Orange	605		2400
LTS-10304KS	Yellow	587		2400
LTS-10304KG	Yellow Green	572		2400
LTS-10304TBE	Blue	470		25000
LTS-10804KD	Hyper Red	639	Common Anode, Rt.Hand Decimal	1800
LTS-10804KR	Super Red	631		1800
LTS-10804KF	Orange	605		2400
LTS-10804KS	Yellow	587		2400
LTS-10804KG	Yellow Green	572		2400
LTS-10804TBE	Blue	470		25000

Flash LED

SMD LED

Through Hole Lamp

LED Display

Automotive LED

Signage LED

Lighting LED

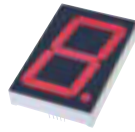
Infrared Emitter and Detector

Optical Sensors

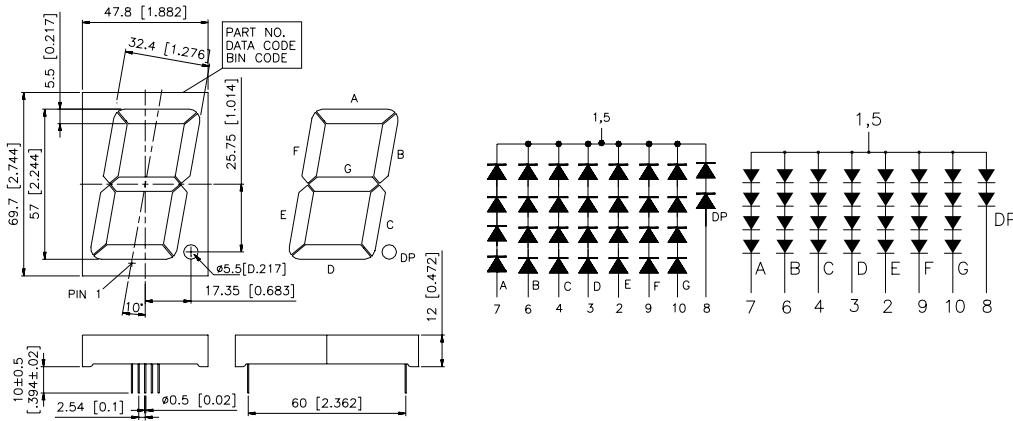
Photocoupler

UV LED

Numeric Display_Single Digit



57mm (2.244")
Dual-In-Line
1.882" H x 2.744" W x .472" D

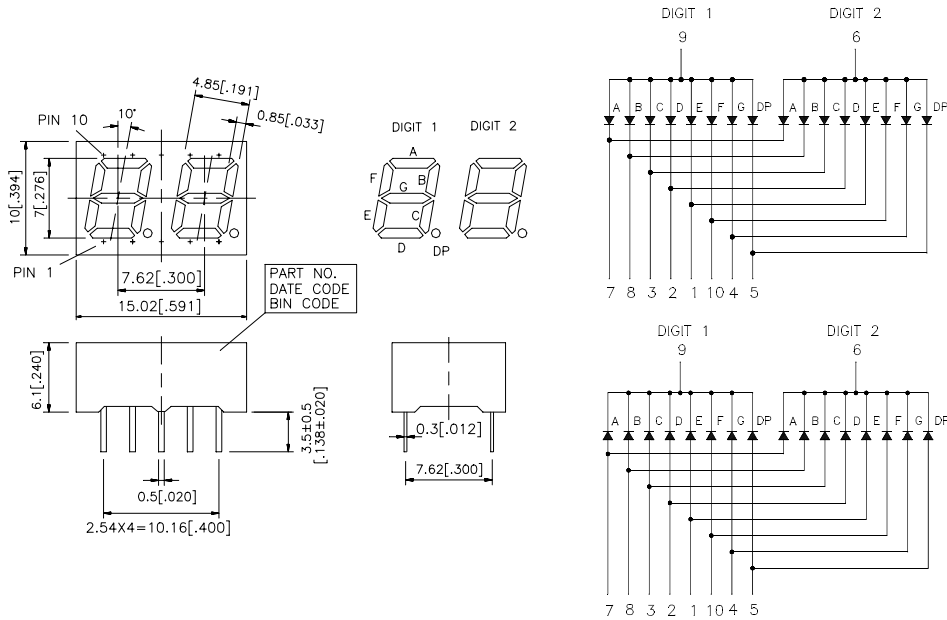


Part No.	Color	λ_d (nm)	Description	Typ. Luminous Intensity I _v /Seg @I _f =1mA (μcd)
LTS-23305KD	Hyper Red	639	Common Cathode, Rt. & Lt. Hand Decimal	10
LTS-23305KR	Super Red	631		10
LTS-23305KF	Orange	605		10
LTS-23305KS	Yellow	587		10
LTS-23305JG	Yellow Green	572		10
LTS-23805KD	Hyper Red	639	Common Anode, Rt. & Lt. Hand Decimal	10
LTS-23805KR	Super Red	631		10
LTS-23805KF	Orange	605		10
LTS-23805KS	Yellow	587		10
LTS-23805JG	Yellow Green	572		10

Numeric Display_Dual Digits



7.0mm (.28")
Dual-In-Line
.39" H x .59" W x .24" D



Part No.	Color	λ_d (nm)	Description	Typ. Luminous Intensity Iv/Seg @ $I_f=1\text{mA}$ (μcd)
LTD-2601JD	Hyper Red	639	Duplex Common Anode, Rt.Hand Decimal	600
LTD-2601KR	Super Red	631		600
LTD-2601KF	Orange	605		1200
LTD-2601KS	Yellow	587		800
LTD-2601JG	Yellow Green	572		800
LTD-2601TB	Blue	470	7000	
LTD-2701JD	Hyper Red	639	Duplex Common Cathode, Rt.Hand Decimal	600
LTD-2701KR	Super Red	631		600
LTD-2701KF	Orange	605		1200
LTD-2701KS	Yellow	587		800
LTD-2701JG	Yellow Green	572		800
LTD-2701TB	Blue	470	7000	

Flash LED

SMD LED

Through Hole Lamp

LED Display

Automotive LED

Signage LED

Lighting LED

Infrared Emitter and Detector

Optical Sensors

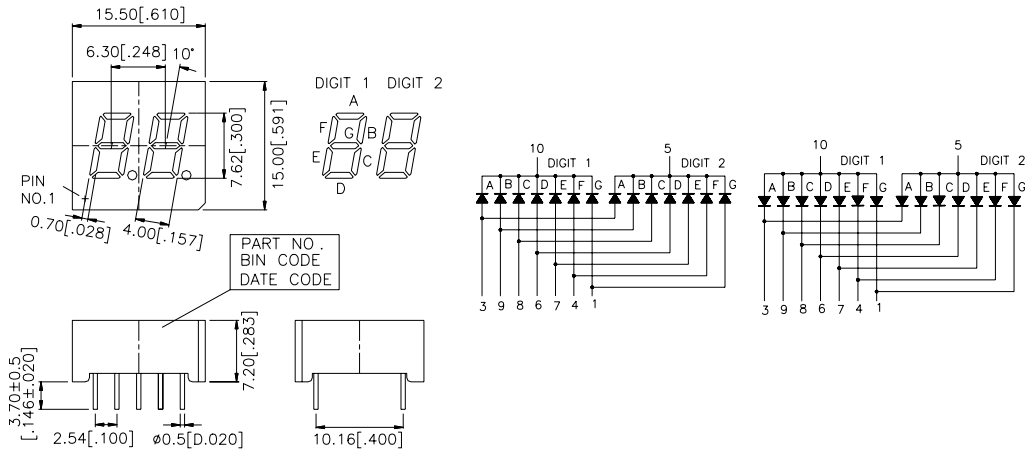
Photocoupler

UV LED

Numeric Display_Dual Digits



7.62mm (.3")
Dual-In-Line
.59" H x .62" W x .29" D

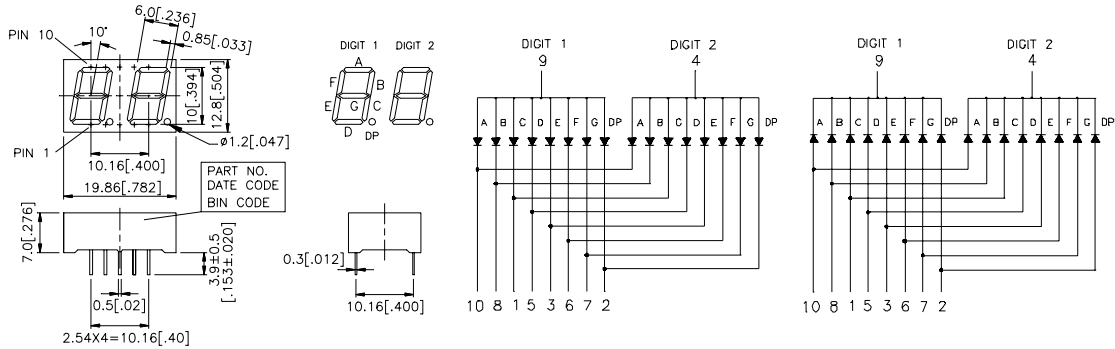


Part No.	Color	λ_d (nm)	Description	Typ. Luminous Intensity I _v /Seg @I _f =1 mA (μcd)
LTD-322JD	Hyper Red	639	Duplex Common Cathode, Rt.Hand Decimal	600
LTD-322KR	Super Red	631		600
LTD-322KF	Orange	605		1200
LTD-322KS	Yellow	587		800
LTD-322JG	Yellow Green	572		800
LTD-322TB	Blue	470		7000
LTD-323JD	Hyper Red	639	Duplex Common Anode, Rt.Hand Decimal	600
LTD-323KR	Super Red	631		600
LTD-323KF	Orange	605		1200
LTD-323KS	Yellow	587		800
LTD-323JG	Yellow Green	572		800
LTD-323TB	Blue	470		7000

Numeric Display_Dual Digits



10.0mm (.4")
Dual-In-Line
.5" H x .78" W x .28" D



Part No.	Color	λ_d (nm)	Description	Typ. Luminous Intensity Iv/Seg @ $I_f=1$ mA (μ cd)
LTD-4608JD	Hyper Red	639	Duplex Common Anode, Rt.Hand Decimal	650
LTD-4608KR	Super Red	631		650
LTD-4608KF	Orange	605		1300
LTD-4608JS	Yellow	587		850
LTD-4608JG	Yellow Green	572		850
LTD-4608TB	Blue	470	7000	
LTD-4708JD	Hyper Red	639	Duplex Common Cathode, Rt.Hand Decimal	650
LTD-4708KR	Super Red	631		650
LTD-4708KF	Orange	605		1300
LTD-4708JS	Yellow	587		850
LTD-4708JG	Yellow Green	572		850
LTD-4708TB	Blue	470	7000	

Flash LED

SMD LED

Through Hole Lamp

LED Display

Automotive LED

Signage LED

Lighting LED

Infrared Emitter and Detector

Optical Sensors

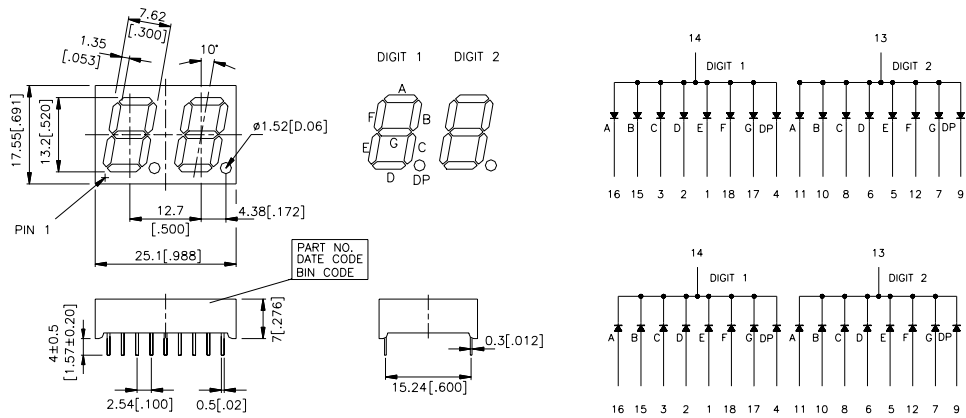
Photocoupler

UV LED

Numeric Display_Dual Digits



13.2mm (.52")
Dual-In-Line
.69" H x .99" W x .28" D

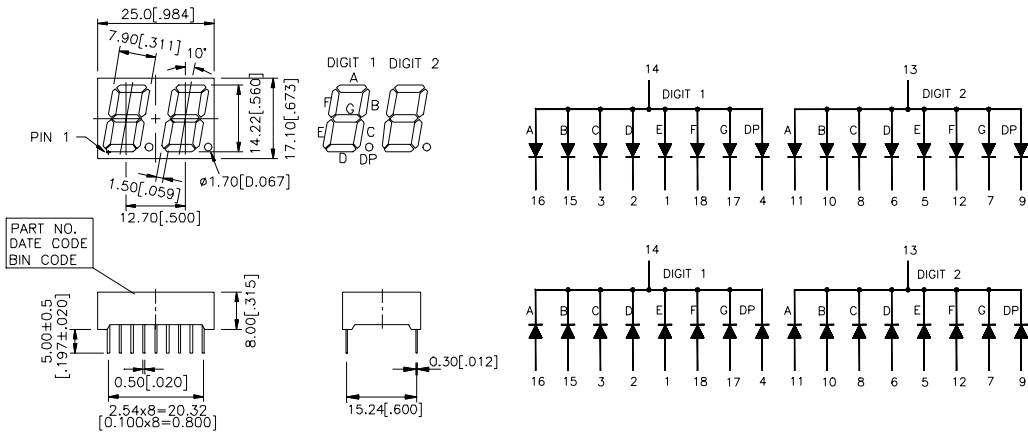


Part No.	Color	λ_0 (nm)	Description	Typ. Luminous Intensity I _v /Seg @ I _f = 1 mA (μcd)
LTD-5250JD	■ Hyper Red	639	Common Anode, Rt.Hand Decimal	700
LTD-5250KR	■ Super Red	631		700
LTD-5250KF	■ Orange	605		1600
LTD-5250KS	■ Yellow	587		900
LTD-5250KG	■ Yellow Green	572		900
LTD-5250TB	■ Blue	470		7000
LTD-5260KD	■ Hyper Red	639	Common Cathode, Rt.Hand Decimal	700
LTD-5260KR	■ Super Red	631		700
LTD-5260KF	■ Orange	605		1600
LTD-5260KS	■ Yellow	587		900
LTD-5260KG	■ Yellow Green	572		900
LTD-5260TB	■ Blue	470		7000

Numeric Display_Dual Digits



14.2mm (.56")
Dual-In-Line
.67" H x .98" W x .32" D



Part No.	Color	λ_d (nm)	Description	Typ. Luminous Intensity Iv/Seg @ $I_f=1\text{mA}$ (μcd)
LTD-5021AJD	Hyper Red	639	Common Anode, Rt.Hand Decimal	700
LTD-5521AJR	Super Red	631		700
LTD-5721AKF	Orange	605		1600
LTD-5721AJS	Yellow	587		900
LTD-5621AJG	Yellow Green	572		900
LTD-5021TB	Blue	470	Common Cathode, Rt.Hand Decimal	7000
LTD-5023AJD	Hyper Red	639		700
LTD-5523AJR	Super Red	631		700
LTD-5723AKF	Orange	605		1600
LTD-5723AJS	Yellow	587		900
LTD-5623AJG	Yellow Green	572		900
LTD-5023TB	Blue	470		7000

Flash LED

SMD LED

Through Hole Lamp

LED Display

Automotive LED

Signage LED

Lighting LED

Infrared Emitter and Detector

Optical Sensors

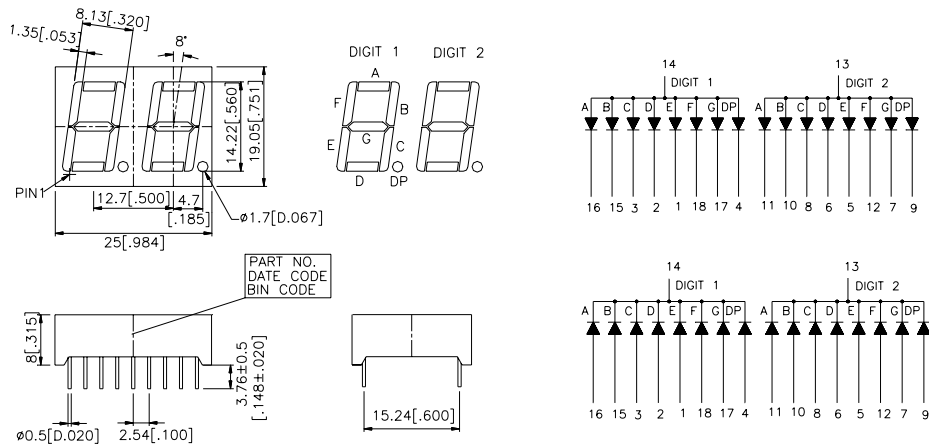
Photocoupler

UV LED

Numeric Display_Dual Digits



14.22mm (.56")
Dual-In-Line
.75" H x .98" W x .32" D

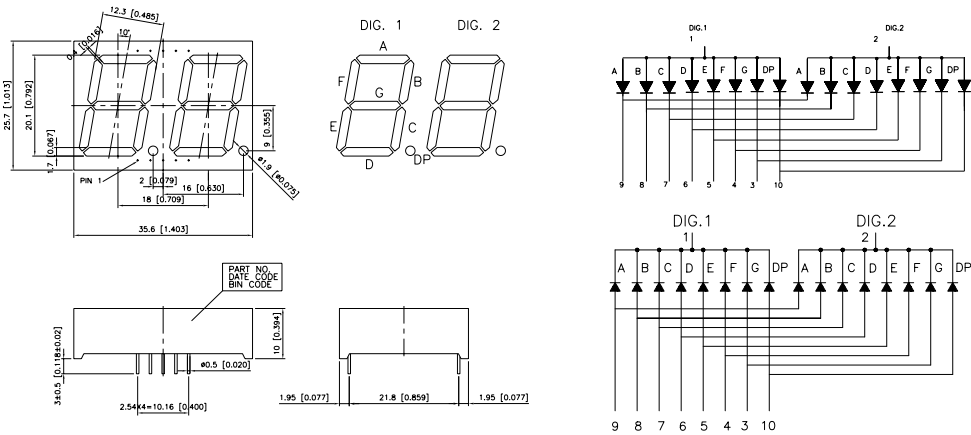


Part No.	Color	λ_d (nm)	Description	Typ. Luminous Intensity I _v /Seg @I _f =1mA (μcd)
LTD-6410KD	Hyper Red	639	Common Cathode, Rt.Hand Decimal	700
LTD-6410KR	Super Red	631		700
LTD-6410KF	Orange	605		1600
LTD-6410KS	Yellow	587		900
LTD-6410KG	Yellow Green	572		900
LTD-6410TB	Blue	470		7000
LTD-6610KD	Hyper Red	639	Common Anode, Rt.Hand Decimal	700
LTD-6610KR	Super Red	631		700
LTD-6610KF	Orange	605		1600
LTD-6610KS	Yellow	587		900
LTD-6610KG	Yellow Green	572		900
LTD-6610TB	Blue	470		7000

Numeric Display_Dual Digits



20.1mm (.79")
Dual-In-Line
1.0" H x 1.4" W x .39" D



Part No.	Color	λ_d (nm)	Description	Typ. Luminous Intensity I _v /Seg @I _f =1mA (μcd)
LTD-8302KR	Hyper Red	639	Duplex Common Cathode, Rt.Hand Decimal	1050
LTD-8302KF	Super Red	631		1600
LTD-8302KS	Orange	605		900
LTD-8302KG	Yellow	587		900
LTD-8302KD	Yellow Green	572		1500
LTD-8302TB	Blue	470	7000	
LTD-8802KR	Hyper Red	639	Duplex Common Anode, Rt.Hand Decimal	1050
LTD-8802KF	Super Red	631		1600
LTD-8802KS	Orange	605		900
LTD-8802KG	Yellow	587		900
LTD-8802KD	Yellow Green	572		1500
LTD-8802TB	Blue	470		7000

Flash LED

SMD LED

Through Hole Lamp

LED Display

Automotive LED

Signage LED

Lighting LED

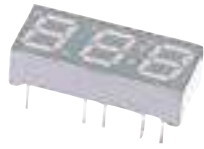
Infrared Emitter and Detector

Optical Sensors

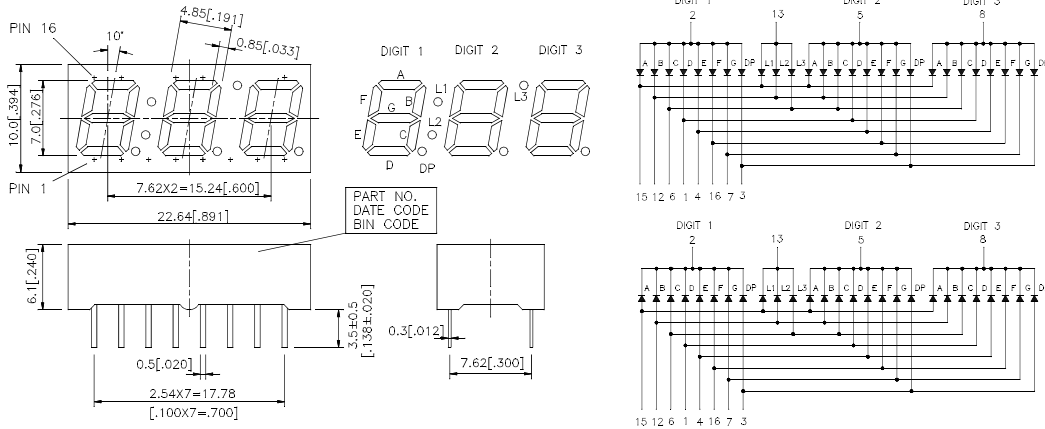
Photocoupler

UV LED

Numeric Display_Triple Digits



7.0mm (.28")
Dual-In-Line
.39" H x .89" W x .24" D

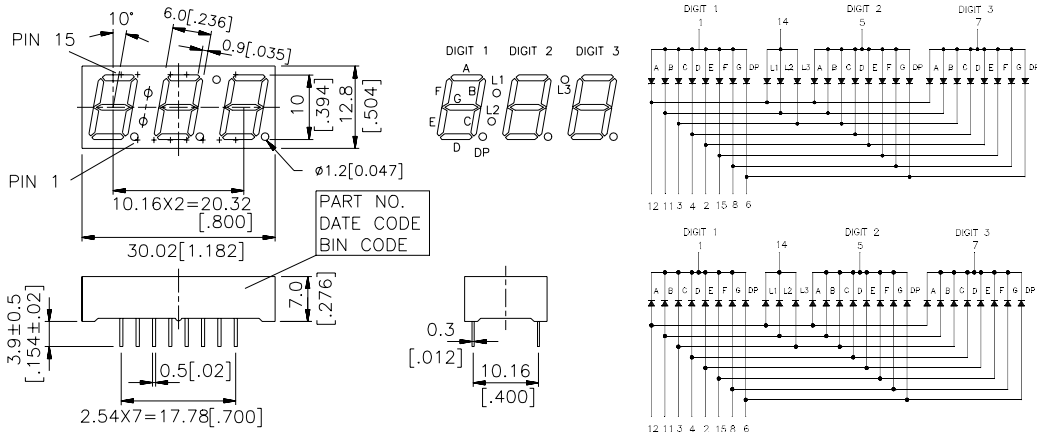


Part No.	Color	λ_d (nm)	Description	Typ. Luminous Intensity I _v /Seg @I _f =1 mA (μcd)
LTC-2621JD	Hyper Red	639	Multiplex Common Anode, Rt.Hand Decimal	600
LTC-2621JR	Super Red	631		600
LTC-2621KF	Orange	605		1200
LTC-2621KS	Yellow	587		800
LTC-2621JG	Yellow Green	572		800
LTC-2621TB	Blue	470		7000
LTC-2721JD	Hyper Red	639	Multiplex Common Cathode, Rt.Hand Decimal	700
LTC-2721JR	Super Red	631		700
LTC-2721KF	Orange	605		1600
LTC-2721KS	Yellow	587		900
LTC-2721JG	Yellow Green	572		900
LTC-2721TB	Blue	470		7000

Numeric Display_ Triple Digits



10.0mm (.40")
Dual-In-Line
.5" H x 1.18" W x .276" D



Part No.	Color	λ_d (nm)	Description	Typ. Luminous Intensity I _v /Seg @ I _f =1 mA (μcd)
LTC-4624JD	Hyper Red	639	Multiplex Common Anode, Rt.Hand Decimal	650
LTC-4624JR	Super Red	631		650
LTC-4624KF	Orange	605		1300
LTC-4624KS	Yellow	587		850
LTC-4624JG	Yellow Green	572		850
LTC-4624TB	Blue	470		7000
LTC-4724JD	Hyper Red	639	Multiplex Common Cathode, Rt.Hand Decimal	650
LTC-4724JR	Super Red	631		650
LTC-4724KF	Orange	605		1300
LTC-4724KS	Yellow	587		850
LTC-4724JG	Yellow Green	572		850
LTC-4724TB	Blue	470		7000

Flash LED

SMD LED

Through Hole Lamp

LED Display

Automotive LED

Signage LED

Lighting LED

Infrared Emitter and Detector

Optical Sensors

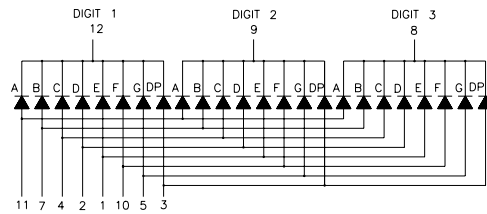
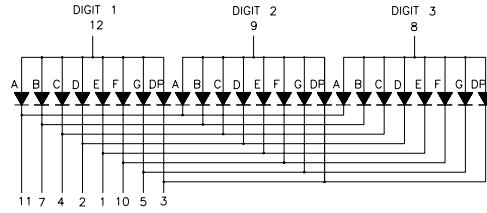
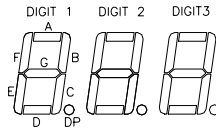
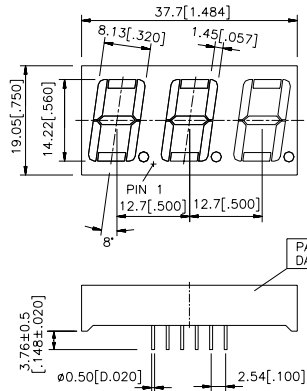
Photocoupler

UV LED

Numeric Display_ Triple Digits

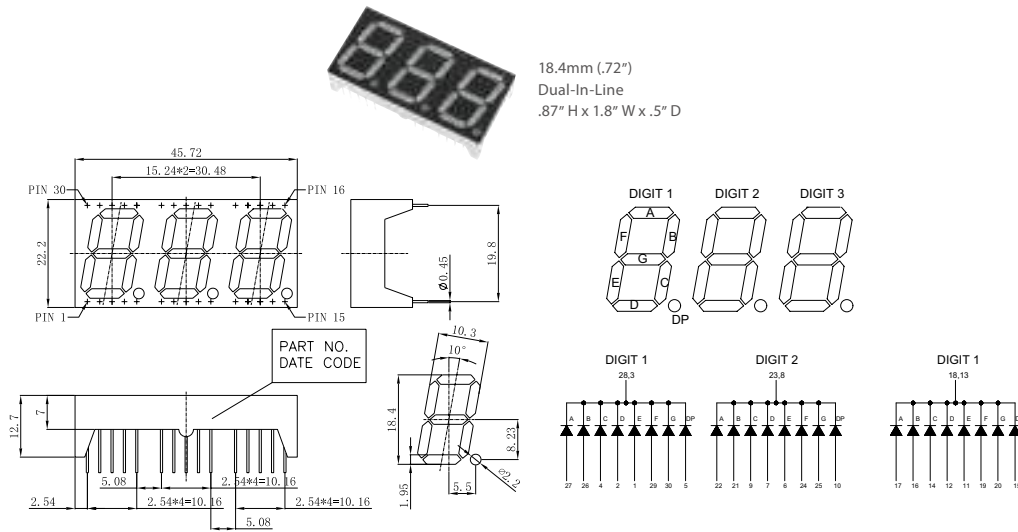


14.22mm (.56")
Dual-In-Line
.75" H x 1.5" W x .32" D



Part No.	Color	λ_d (nm)	Description	Typ. Luminous Intensity I _v /Seg @I _c =1 mA (μcd)
LTC-561JD	Hyper Red	639	Multiplex Common Anode, Rt.Hand Decimal	700
LTC-561KR	Super Red	631		700
LTC-561KF	Orange	605		1600
LTC-561KS	Yellow	587		900
LTC-561JG	Yellow Green	572		900
LTC-561TB	Blue	470	13500	
LTC-571JD	Hyper Red	639	Multiplex Common Cathode, Rt.Hand Decimal	700
LTC-571KR	Super Red	631		700
LTC-571KF	Orange	605		1600
LTC-571KS	Yellow	587		900
LTC-571JG	Yellow Green	572		900
LTC-571TB	Blue	470	13500	

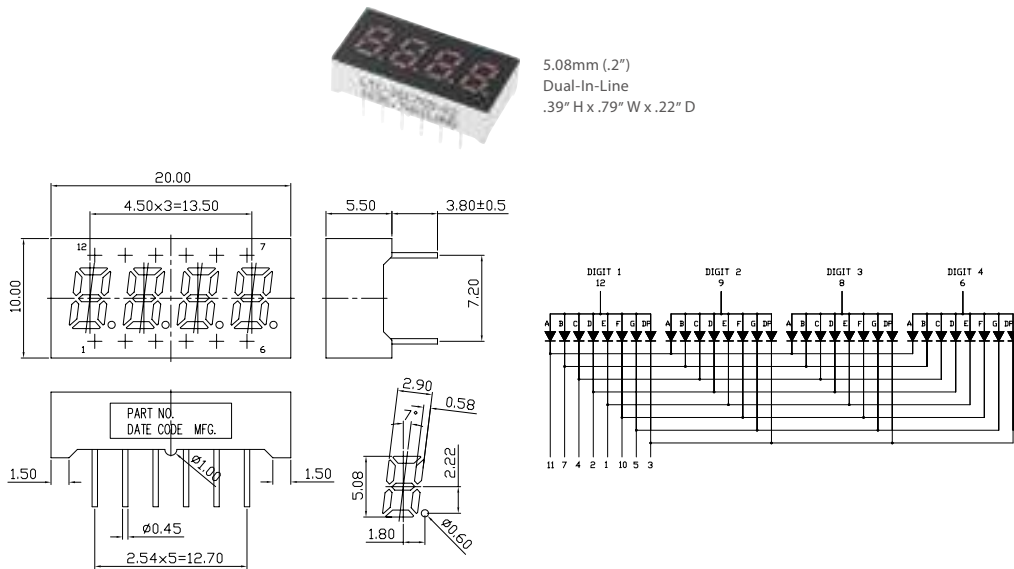
Numeric Display_ Triple Digits



18.4mm (.72")
Dual-In-Line
.87" H x 1.8" W x .5" D

Part No.	Color	λ_d (nm)	Description	Typ. Luminous Intensity Iv/Seg @ $I_f=1\text{mA}$ (μcd)
LTC-7500KD	Hyper Red	639	Multiplex Common Cathode, Rt.Hand Decimal	650
LTC-7500KR	Super Red	631		650
LTC-7500KF	Orange	605		650
LTC-7500KS	Yellow	587		650
LTC-7500KG	Yellow Green	572		650

Numeric Display_ Quadruple Digits



5.08mm (.2")
Dual-In-Line
.39" H x .79" W x .22" D

Part No.	Color	λ_d (nm)	Description	Typ. Luminous Intensity Iv/Seg @ $I_f=1\text{mA}$ (μcd)
LTC-26C7KD-02	Hyper Red	639	Multiplex Common Anode	900

Flash LED

SMD LED

Through Hole Lamp

LED Display

Automotive LED

Signage LED

Lighting LED

Infrared Emitter and Detector

Optical Sensors

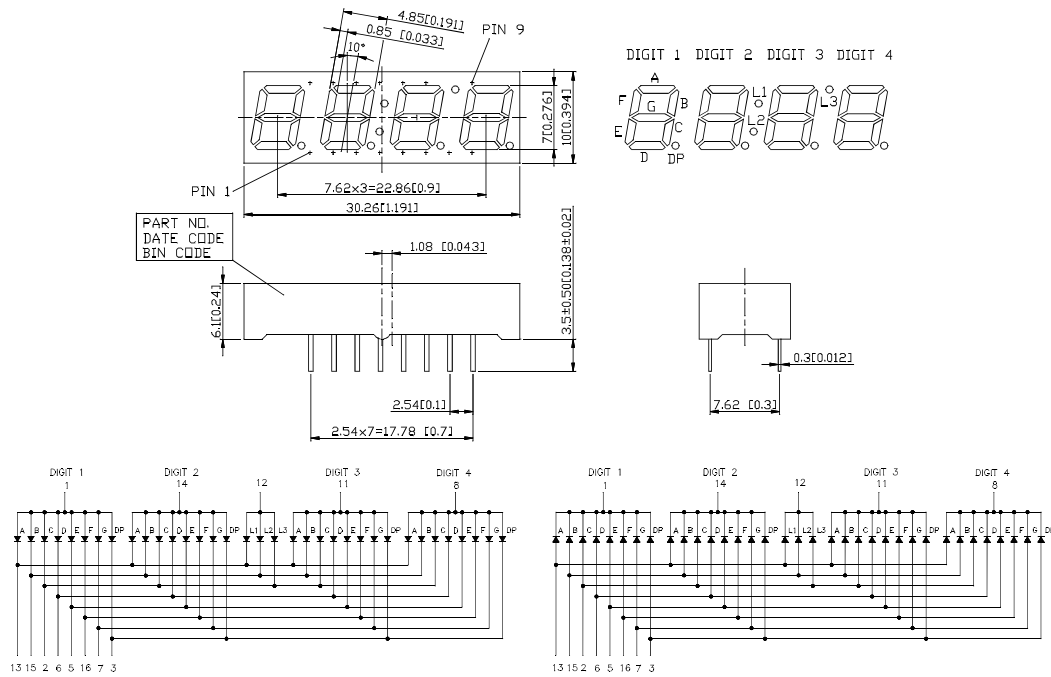
Photocoupler

UV LED

Numeric Display_Quadruple Digits



7.0mm (.28")
Dual-In-Line
.39" H x 1.19" W x .24" D

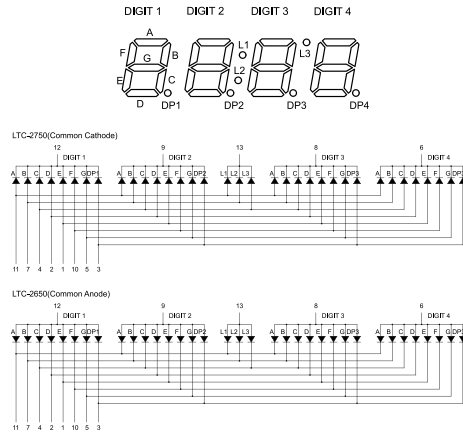
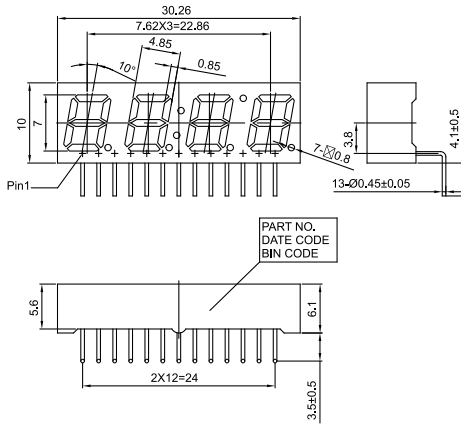


Part No.	Color	λ_d (nm)	Description	Typ. Luminous Intensity I _v /Seg @I _f =1mA (μcd)
LTC-2623JD	Hyper Red	639	Multiplex Common Anode, Rt.Hand Decimal	600
LTC-2623JR	Super Red	631		600
LTC-2623JF	Orange	605		1200
LTC-2623JS	Yellow	587		800
LTC-2623JG	Yellow Green	572		800
LTC-2623TB	Blue	470	8500	
LTC-2723JD	Hyper Red	639	Multiplex Common Cathode, Rt.Hand Decimal	600
LTC-2723JR	Super Red	631		600
LTC-2723JF	Orange	605		1200
LTC-2723JS	Yellow	587		800
LTC-2723JG	Yellow Green	572		800
LTC-2723TB	Blue	470	8500	

Numeric Display_ Quadruple Digits



7.0mm (.28")
Dual-In-Line
.39" H x 1.19" W x .24" D



Part No.	Color	λ_d (nm)	Description	Typ. Luminous Intensity I _v /Seg @ I _f =1 mA (μcd)
LTC-2650KD	Hyper Red	639	Multiplex Common Anode, Rt.Hand Decimal	380
LTC-2650KR	Super Red	631		380
LTC-2650KF	Orange	605		415
LTC-2650KS	Yellow	587		415
LTC-2650JG	Yellow Green	572		415
LTC-2650TBE	Blue	470	8500	
LTC-2750KD	Hyper Red	639	Multiplex Common Cathode, Rt.Hand Decimal	380
LTC-2750KR	Super Red	631		380
LTC-2750KF	Orange	605		415
LTC-2750KS	Yellow	587		415
LTC-2750JG	Yellow Green	572		415
LTC-2750TBE	Blue	470		8500

Flash LED

SMD LED

Through Hole Lamp

LED Display

Automotive LED

Signage LED

Lighting LED

Infrared Emitter and Detector

Optical Sensors

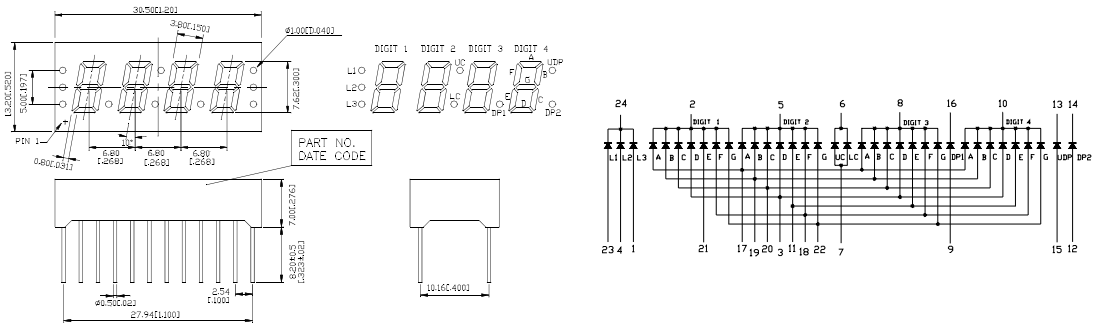
Photocoupler

UV LED

Numeric Display_Quadruple Digits



Epoxy Type
7.62mm (.30")
Dual-In-Line
.52" H x 1.2" W x .28" D

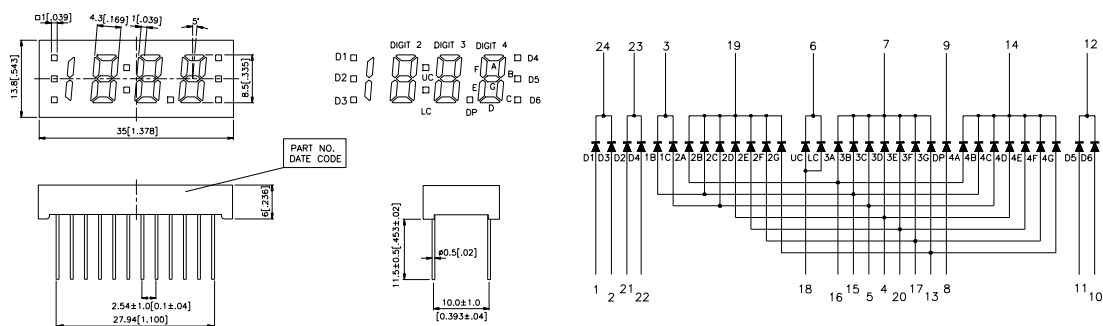


Part No.	Color	λ_d (nm)	Description	Typ. Luminous Intensity I _v /Seg @I _f =1mA (μcd)
LTC-3710KD	Red	640	Multiplex Common Cathode, Full Feature	800
LTC-3710KG	Yellow Green	572		600

Numeric Display_Quadruple Digits



Epoxy Type
8.5mm (.34")
Dual-In-Line
.54" H x 1.38" W x .24" D

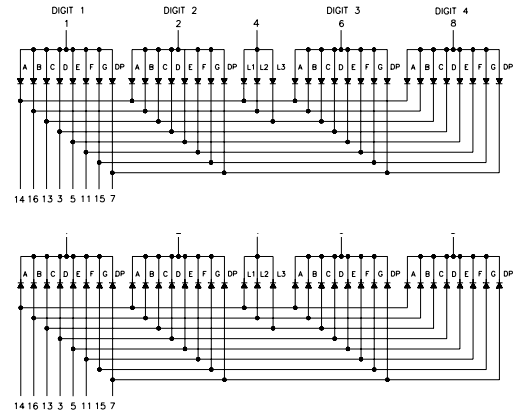
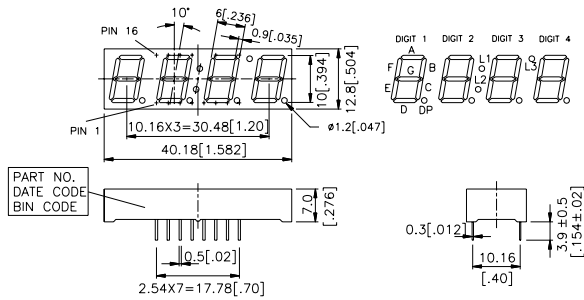


Part No.	Color	λ_d (nm)	Description	Typ. Luminous Intensity I _v /Seg @I _f =1mA (μcd)
LTC-3718KD	Red	640	Multiplex Common Cathode, Full Feature	850
LTC-3718KG	Yellow Green	572		640

Numeric Display_Quadruple Digits



10.0mm (.40")
Dual-In-Line
.5" H x 1.58" W x .28" D



Part No.	Color	λ_d (nm)	Description	Typ. Luminous Intensity I _v /Seg @ I _f =1 mA (μcd)
LTC-4627JD	Hyper Red	639	Multiplex Common Anode, Rt.Hand Decimal	650
LTC-4627JR	Super Red	631		650
LTC-4627JF	Orange	605		850
LTC-4627JS	Yellow	587		850
LTC-4627JG	Yellow Green	572		850
LTC-4627TB	Blue	470		11500
LTC-4727JD	Hyper Red	639	Multiplex Common Cathode, Rt.Hand Decimal	650
LTC-4727JR	Super Red	631		650
LTC-4727JF	Orange	605		850
LTC-4727JS	Yellow	587		850
LTC-4727JG	Yellow Green	572		850
LTC-4727TB	Blue	470		11500

Flash LED

SMD LED

Through Hole Lamp

LED Display

Automotive LED

Signage LED

Lighting LED

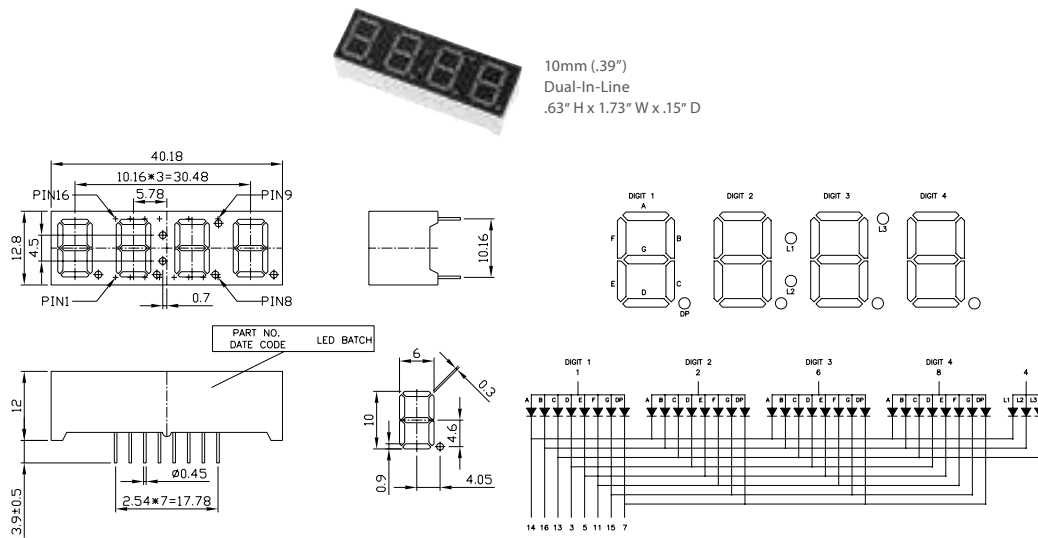
Infrared Emitter and Detector

Optical Sensors

Photocoupler

UV LED

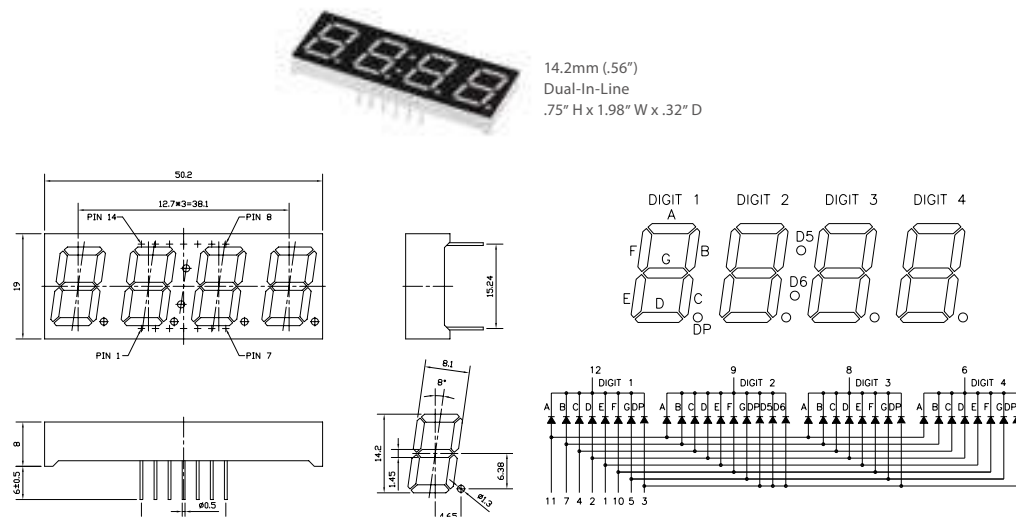
Numeric Display_Quadruple Digits



10mm (.39")
Dual-In-Line
.63" H x 1.73" W x .15" D

Part No.	Color	CIE (x,y)	Description	Typ. Luminous Intensity Iv/Seg @I _f =5mA (μcd)
LTC-46D2SW	White	(0.294,0.286)	Multiplex Common Anode	165000

Numeric Display_Quadruple Digits



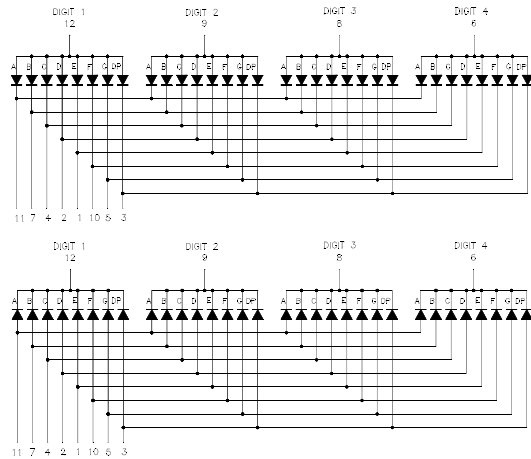
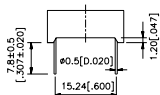
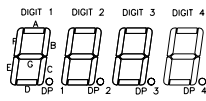
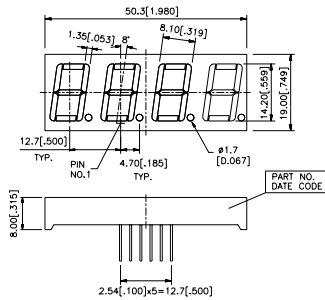
14.2mm (.56")
Dual-In-Line
.75" H x 1.98" W x .32" D

Part No.	Color	λ _d (nm)	Description	Typ. Luminous Intensity Iv/Seg @I _f =10mA (μcd)
LTC-57C7KD	Hyper Red	639	Multiplex Common Cathode	700
LTC-57C7KR	Super Red	631		700
LTC-57C7KF	Orange	605		1600
LTC-57C7KS	Yellow	587		900
LTC-57C7KG	Yellow Green	572		900

Numeric Display_ Quadruple Digits



14.22mm (.56")
Dual-In-Line
.75" H x 1.98" W x .32" D



Part No.	Color	λ_d (nm)	Description	Typ. Luminous Intensity I _v /Seg @ I _f =1mA (μcd)
LTC-5623JD	Hyper Red	639	Multiplex Common Anode, Rt.Hand Decimal	700
LTC-5623KR	Super Red	631		700
LTC-5623KF	Orange	605		1600
LTC-5623KS	Yellow	587		900
LTC-5623JG	Yellow Green	572		900
LTC-5623TB	Blue	470	13500	
LTC-5723JD	Hyper Red	639	Multiplex Common Cathode, Rt.Hand Decimal	700
LTC-5723KR	Super Red	631		700
LTC-5723KF	Orange	605		1600
LTC-5723KS	Yellow	587		900
LTC-5723JG	Yellow Green	572		900
LTC-5723TB	Blue	470	13500	

Flash LED

SMD LED

Through Hole Lamp

LED Display

Automotive LED

Signage LED

Lighting LED

Infrared Emitter and Detector

Optical Sensors

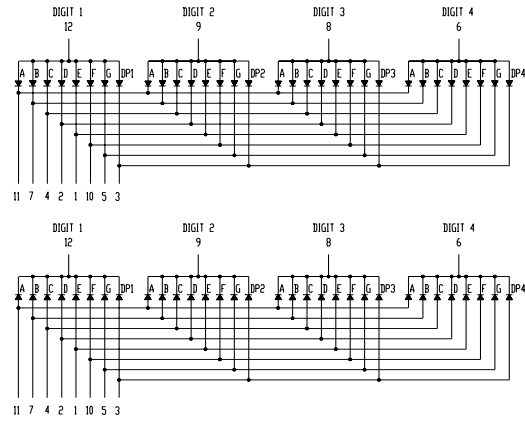
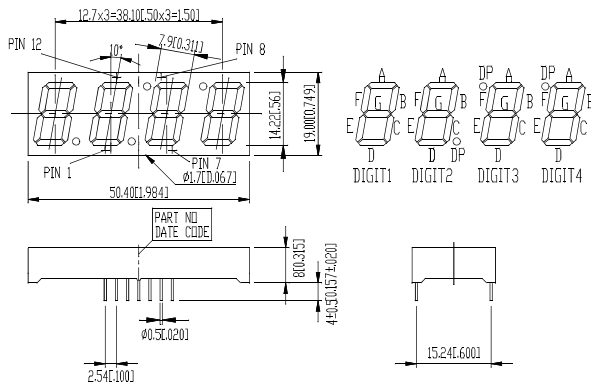
Photocoupler

UV LED

Numeric Display_Quadruple Digits

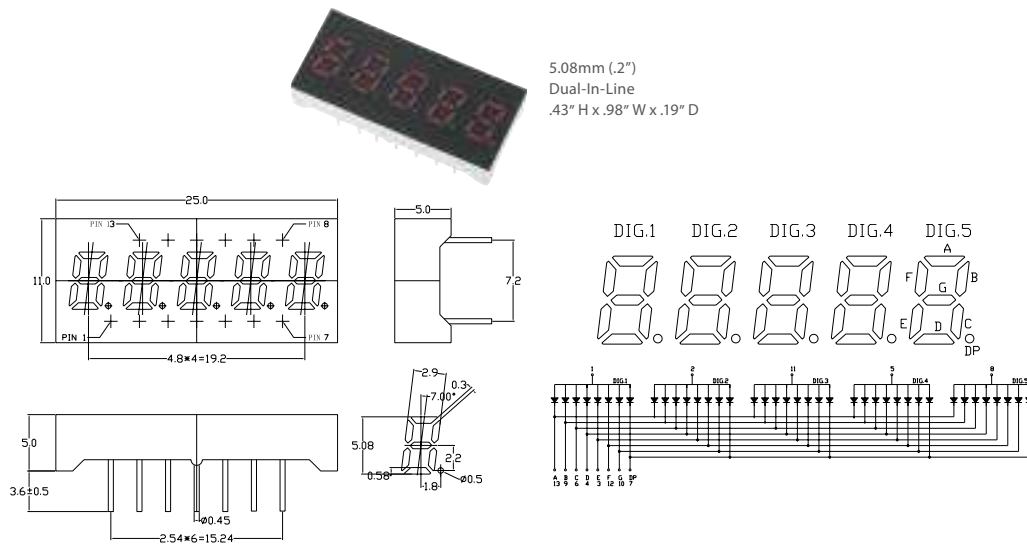


14.22mm (.56")
Dual-In-Line
.75" H x 1.98" W x .32" D



Part No.	Color	λ_d (nm)	Description	Typ. Luminous Intensity I _v /Seg @I _f =1 mA (μcd)
LTC-5653KD-01	Hyper Red	639	Multiplex Common Anode, Rt.Hand Decimal	700
LTC-5653KR-01	Super Red	631		700
LTC-5653KF-01	Orange	605		1600
LTC-5653KS-01	Yellow	587		900
LTC-5653KG-01	Yellow Green	572		900
LTC-5653TB-01	Blue	470		13500
LTC-5753KD-01	Hyper Red	639	Multiplex Common Cathode, Rt.Hand Decimal	700
LTC-5753KR-01	Super Red	631		700
LTC-5753KF-01	Orange	605		1600
LTC-5753KS-01	Yellow	587		900
LTC-5753KG-01	Yellow Green	572		900
LTC-5753TB-01	Blue	470		13500

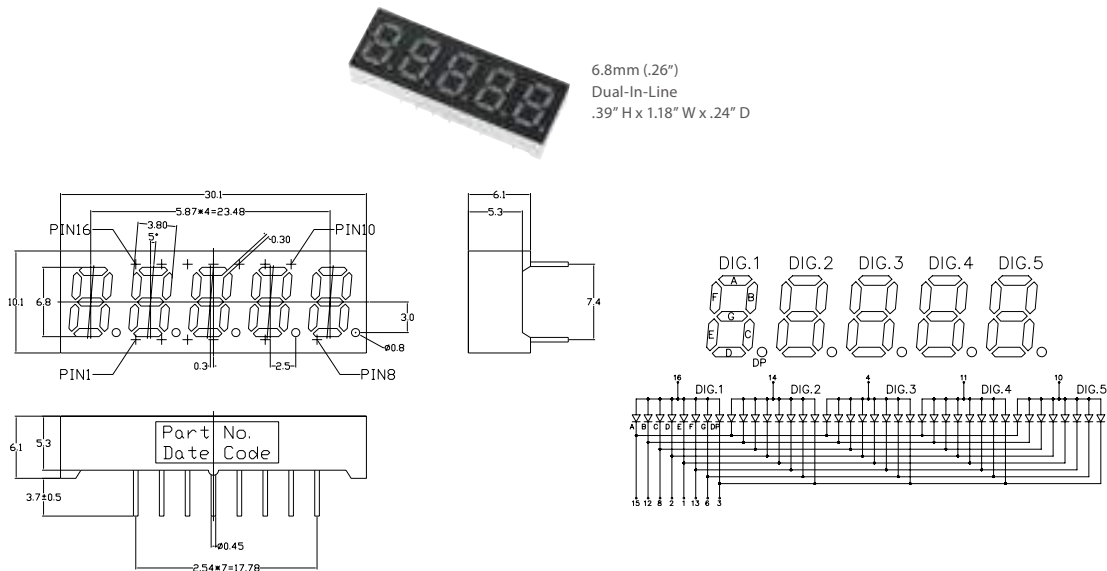
Numeric Display_ Quintuple Digits



5.08mm (.2")
Dual-In-Line
.43" H x .98" W x .19" D

Part No.	Color	λ_c (nm)	Description	Typ. Luminous Intensity lv/Seg @ $I_f=1mA$ (μcd)
LTF-2606KD	■ Hyper Red	639	Multiplex Common Anode, Rt.Hand Decimal	700
LTF-2606KR	■ Super Red	631		650
LTF-2606KF	■ Orange	605		1600
LTF-2606KS	■ Yellow	587		900
LTF-2606KG	■ Yellow Green	572		900

Numeric Display_ Quintuple Digits



6.8mm (.26")
Dual-In-Line
.39" H x 1.18" W x .24" D

Part No.	Color	λ_c (nm)	Description	Typ. Luminous Intensity lv/Seg @ $I_f=1mA$ (μcd)
LTF-2505KD	■ Hyper Red	639	Multiplex Common Anode, Rt.Hand Decimal	700
LTF-2505KR	■ Super Red	631		900
LTF-2505KF	■ Orange	605		1600
LTF-2505KS	■ Yellow	587		900
LTF-2505KG	■ Yellow Green	572		900

Flash LED

SMD LED

Through Hole Lamp

LED Display

Automotive LED

Signage LED

Lighting LED

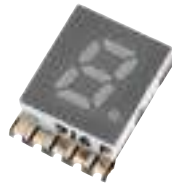
Infrared Emitter and Detector

Optical Sensors

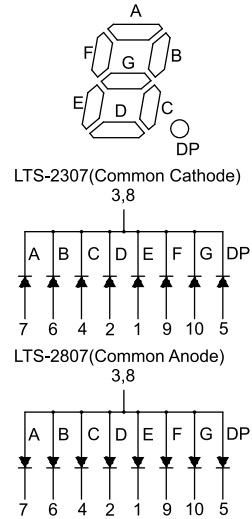
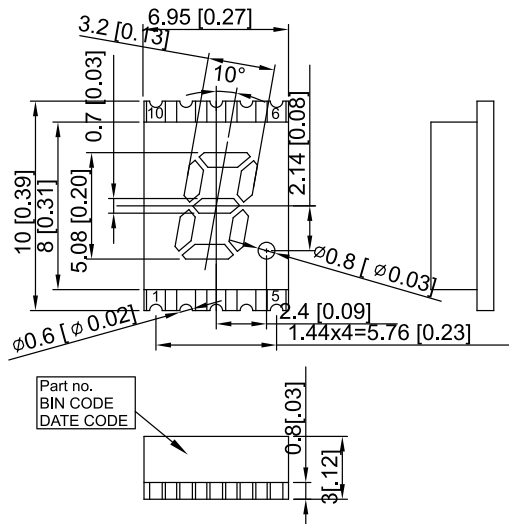
Photocoupler

UV LED

Numeric Display_SMD Type

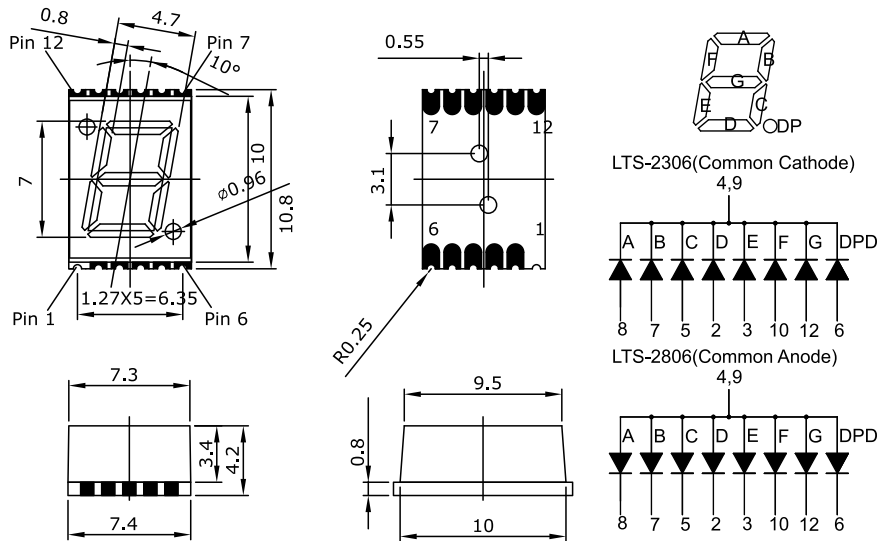
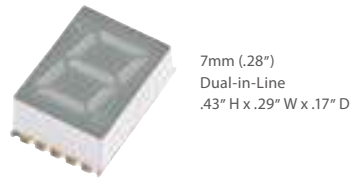


5.08mm (.2")
Dual-in-Line
.39" H x .27" W x .12" D



Part No.	Color	λ_d (nm)	Description	Typ. Luminous Intensity I _v /Seg @I _c =2mA (μcd)
LTS-2307CKD-P	Hyper Red	639	Common Cathode	560
LTS-2307CKR-P	Super Red	631		560
LTS-2307CKF-P	Orange	605		720
LTS-2307CKS-P	Yellow	587		720
LTS-2307CKG-P	Yellow Green	572		720
LTS-2307TBE-P	Blue	470		3500
LTS-2807CKG-P	Yellow Green	572	Common Anode	720
LTS-2807CKD-P	Hyper Red	639		560
LTS-2807CKR-P	Super Red	631		560
LTS-2807CKF-P	Orange	605		720
LTS-2807CKS-P	Yellow	587		720
LTS-2807TBE-P	Blue	470		3500

Numeric Display_SMD Type



Part No.	Color	λ_0 (nm)	Description	Typ. Luminous Intensity I _v /Seg @ I _f =2mA (μcd)
LTS-2306CKD-P	Hyper Red	639	Common Cathode	560
LTS-2306CKR-P	Super Red	631		560
LTS-2306CKF-P	Orange	605		720
LTS-2306CKS-P	Yellow	587		720
LTS-2306CKG-P	Yellow Green	572		720
LTS-2306TBE-P	Blue	470		3500
LTS-2806CKD-P	Hyper Red	639	Common Anode	560
LTS-2806CKR-P	Super Red	631		560
LTS-2806CKF-P	Orange	605		720
LTS-2806CKS-P	Yellow	587		720
LTS-2806CKG-P	Yellow Green	572		720
LTS-2806TBE-P	Blue	470		3500

Flash LED

SMD LED

Through Hole Lamp

LED Display

Automotive LED

Signage LED

Lighting LED

Infrared Emitter and Detector

Infrared Emitter and Detector

Optical Sensors

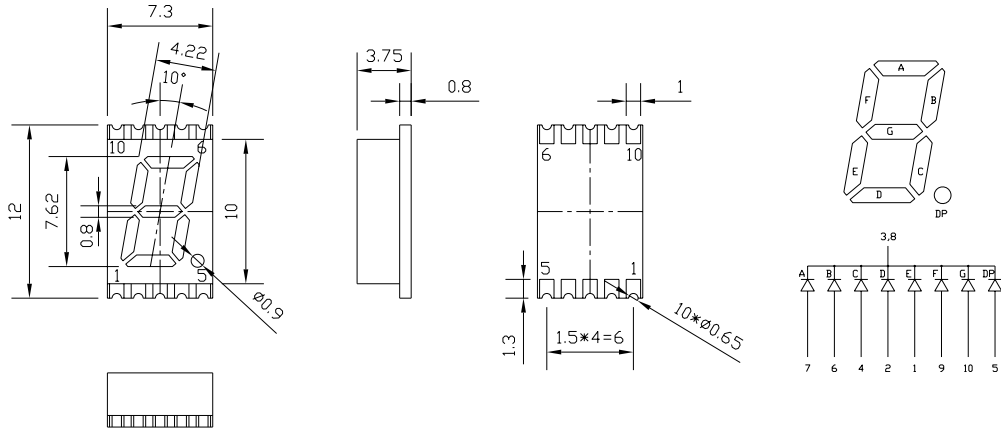
Photocoupler

UV LED

Numeric Display_SMD Type

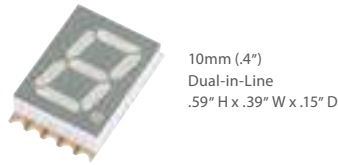


7.62mm (.3")
Dual-in-Line
.47" H x .28" W x .14" D

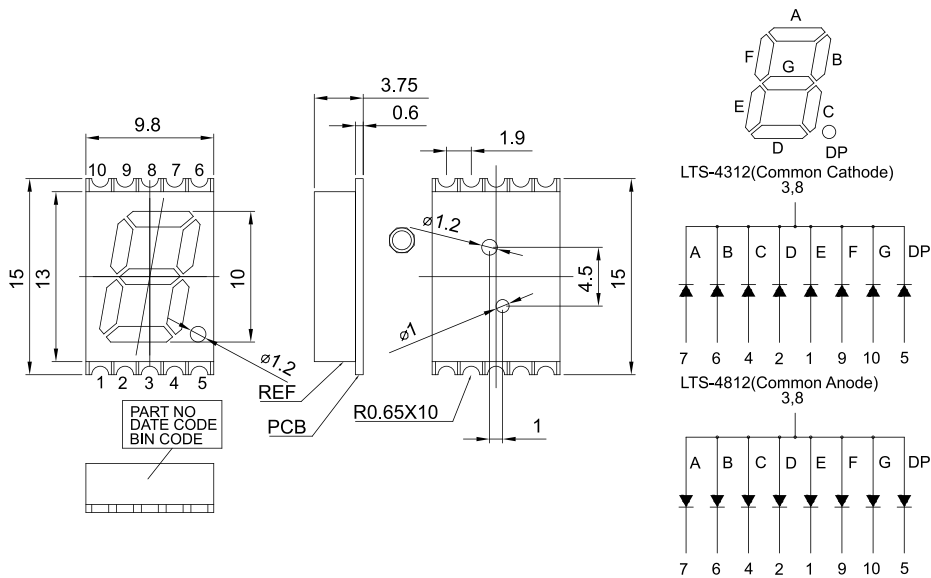


Part No.	Color	λ_d (nm)	Description	Typ. Luminous Intensity I _v /Seg @I _f =1mA (μcd)
LTS-3386CKD-P	Hyper Red	639	Common Cathode	650
LTS-3386CKR-P	Super Red	631		650
LTS-3386CKF-P	Orange	605		650
LTS-3386CKS-P	Yellow	587		650
LTS-3386CKG-P	Yellow Green	572		650
LTS-3386CTB-P	Blue	470		7000
LTS-3886CKD-P	Hyper Red	639	Common Anode	650
LTS-3886CKR-P	Super Red	631		650
LTS-3886CKF-P	Orange	605		650
LTS-3886CKS-P	Yellow	587		650
LTS-3886CKG-P	Yellow Green	572		650
LTS-3886CTB-P	Blue	470		7000

Numeric Display_SMD Type



10mm (.4")
Dual-in-Line
.59" H x .39" W x .15" D



Part No.	Color	λ_d (nm)	Description	Typ. Luminous Intensity I _v /Seg @I _f =2mA (μcd)
LTS-4312CKD-PM	Hyper Red	639	Common Cathode	639
LTS-4312CKR-PM	Super Red	631		639
LTS-4312CKF-PM	Orange	605		830
LTS-4312CKS-PM	Yellow	587		830
LTS-4312CKG-PM	Yellow Green	572		830
LTS-4312TBE-PM	Blue	470		4000
LTS-4812CKD-PM	Hyper Red	639	Common Anode	639
LTS-4812CKR-PM	Super Red	631		639
LTS-4812CKF-PM	Orange	605		830
LTS-4812CKS-PM	Yellow	587		830
LTS-4812CKG-PM	Yellow Green	572		830
LTS-4812TBE-PM	Blue	470		4000

Flash LED

SMD LED

Through Hole Lamp

LED Display

Automotive LED

Signage LED

Lighting LED

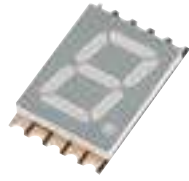
Infrared Emitter and Detector

Optical Sensors

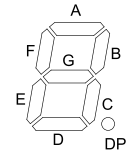
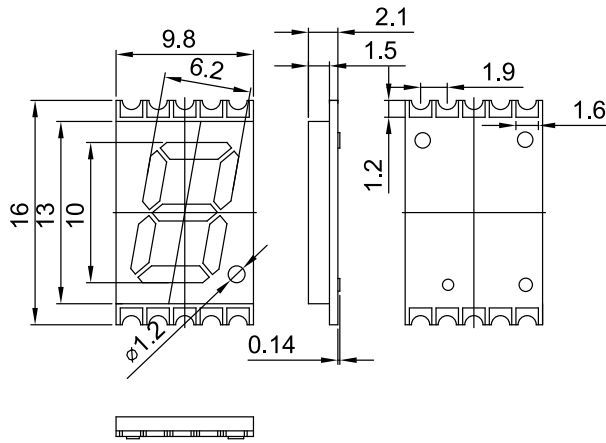
Photocoupler

UV LED

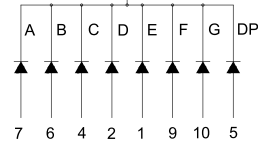
Numeric Display_SMD Type



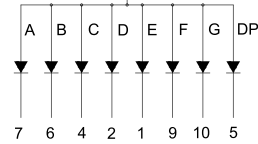
10mm (.4")
Dual-in-Line
.63" H x .39" W x .08" D



LTS-4317(Common Cathode)
3,8

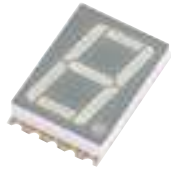


LTS-4817(Common Anode)
3,8

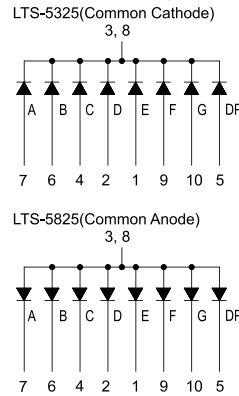
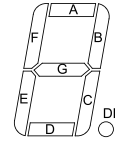
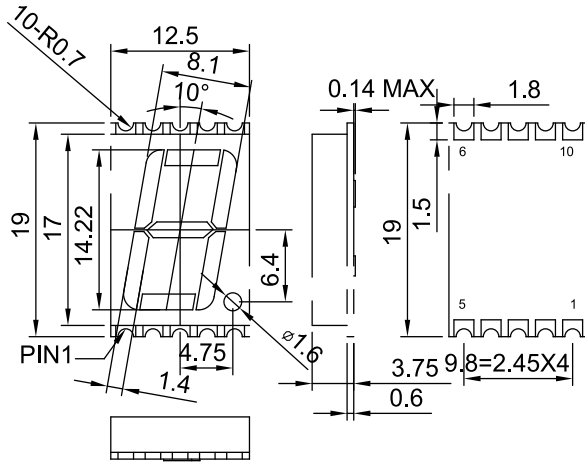


Part No.	Color	λ_d (nm)	Description	Typ. Luminous Intensity I _v /Seg @I _f =2mA (μcd)
LTS-4317CKD-P	Hyper Red	639	Common Cathode	639
LTS-4317CKR-P	Super Red	631		639
LTS-4317CKF-P	Orange	605		830
LTS-4317CKS-P	Yellow	587		830
LTS-4317CKG-P	Yellow Green	572		830
LTS-4317TBE-P	Blue	470		4000
LTS-4817CKD-P	Hyper Red	639	Common Anode	639
LTS-4817CKR-P	Super Red	631		639
LTS-4817CKF-P	Orange	605		830
LTS-4817CKS-P	Yellow	587		830
LTS-4817CKG-P	Yellow Green	572		830
LTS-4817TBE-P	Blue	470		4000

Numeric Display_SMD Type



14.22mm (.56")
Dual-in-Line
.75" H x .49" W x .15" D



Part No.	Color	λ_d (nm)	Description	Typ. Luminous Intensity Iv/Seg @ $I_f=2\text{mA}$ (μcd)
LTS-5325CKD-P	Hyper Red	639	Common Cathode	1020
LTS-5325CKR-P	Super Red	631		1020
LTS-5325CKF-P	Orange	605		1300
LTS-5325CKS-P	Yellow	587		1300
LTS-5325CKG-P	Yellow Green	572		1300
LTS-5325TBE-P	Blue	470		6500
LTS-5825CKD-P	Hyper Red	639	Common Anode	1020
LTS-5825CKR-P	Super Red	631		1020
LTS-5825CKF-P	Orange	605		1300
LTS-5825CKS-P	Yellow	587		1300
LTS-5825CKG-P	Yellow Green	572		1300
LTS-5825TBE-P	Blue	470		6500

Flash LED

SMD LED

Through Hole Lamp

LED Display

Automotive LED

Signage LED

Lighting LED

Infrared Emitter and Detector

Optical Sensors

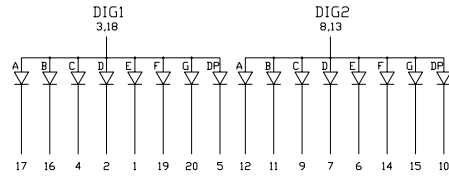
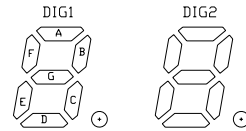
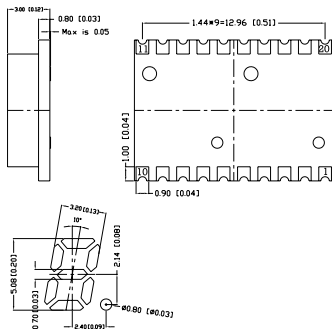
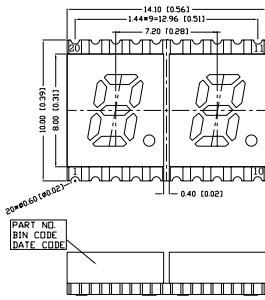
Photocoupler

UV LED

Numeric Display_SMD Type

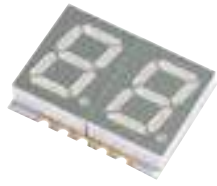


5.08mm (.2")
Dual-In-Line
.39" H x .56" W x .12" D

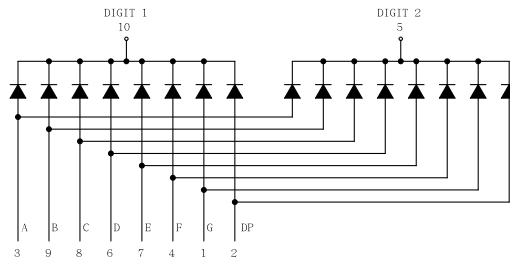
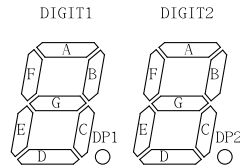
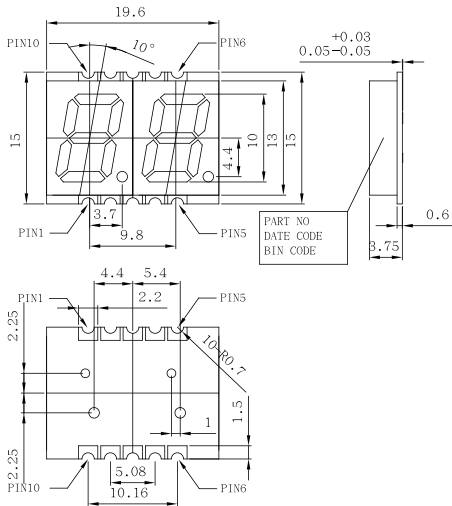


Part No.	Color	λ_d (nm)	Description	Typ. Luminous Intensity Iv/Seg @ $I_f=1\text{mA}$ (μcd)
LTD-2404CKD-P	■ Hyper Red	639	Common Anode	650
LTD-2404CKR-P	■ Super Red	631		650
LTD-2404CKF-P	■ Orange	605		400
LTD-2404CKS-P	■ Yellow	587		400
LTD-2404CKG-P	■ Yellow Green	572		400
LTD-2404SW-P	 White	-		180000

Numeric Display_SMD Type



10.0mm (.4")
Dual-In-Line
.59" H x .78" W x .15" D



Part No.	Color	λ_o (nm)	Description	Typ. Luminous Intensity Iv/Seg @ $I_f=2mA$ (μcd)
LTD-4516CKD-PM	Hyper Red	639	Multiplexed, Common Cathode	639
LTD-4516CKR-PM	Super Red	631		639
LTD-4516CKF-PM	Orange	605		830
LTD-4516CKS-PM	Yellow	587		830
LTD-4516CKG-PM	Yellow Green	572		830
LTD-4516TBE-PM	Blue	470		4000

Flash LED

SMD LED

Through Hole Lamp

LED Display

Automotive LED

Signage LED

Lighting LED

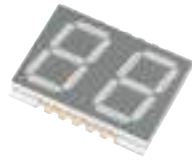
Infrared Emitter and Detector

Optical Sensors

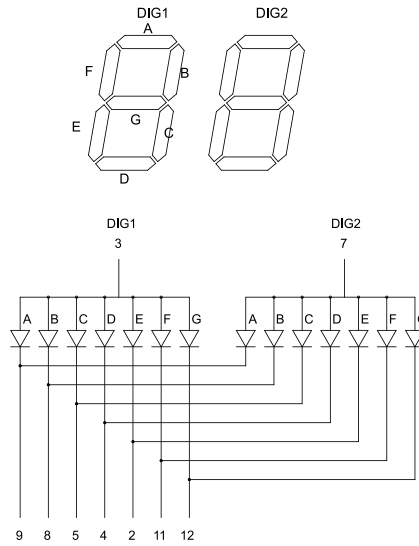
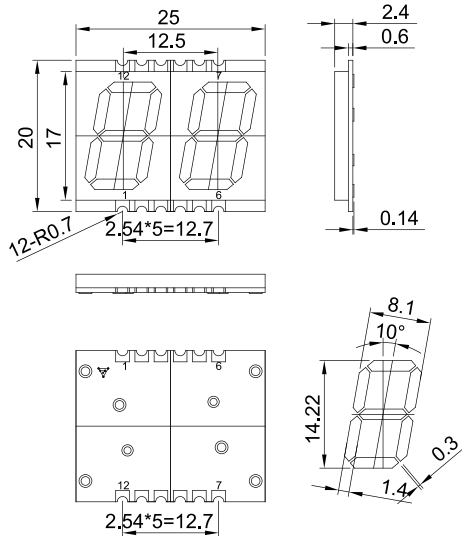
Photocoupler

UV LED

Numeric Display_SMD Type

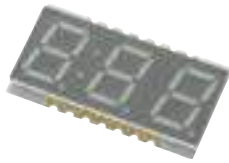


14.22mm (.56")
Dual-In-Line
.79" H x .98" W x .09" D

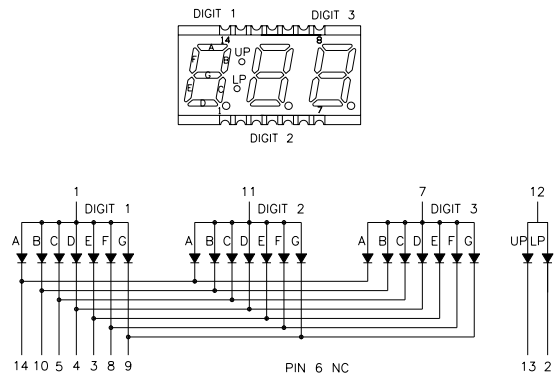
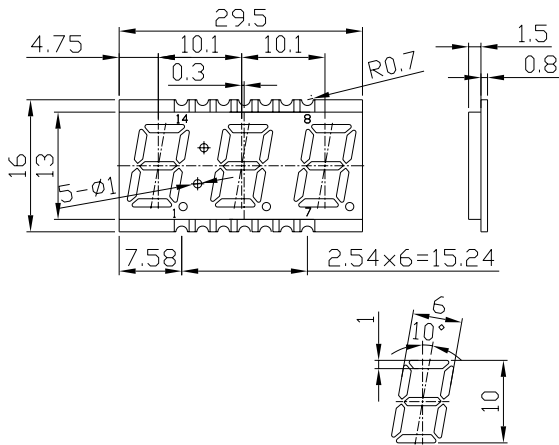


Part No.	Color	λ_d (nm)	Description	Typ. Luminous Intensity I _v /Seg @ I _f =2mA (μcd)
LTD-5435CKD-P	■ Hyper Red	639	Multiplex Common Anode	620
LTD-5435CKR-P	■ Super Red	631		620
LTD-5435CKF-P	■ Orange	605		620
LTD-5435CKS-P	■ Yellow	587		800
LTD-5435CKG-P	■ Yellow Green	572		800
LTD-5435TBE-P	■ Blue	470		3900

Numeric Display_SMD Type



10mm (.4")
Dual-In-Line
.62" H x 1.16" W x .09" D



Part No.	Color	λ_d (nm)	Description	Typ. Luminous Intensity I _v /Seg @ I _f =1mA (μcd)
LTC-46F6CKD-P	Hyper Red	639	Multiplex Common Anode	620
LTC-46F6CKR-P	Super Red	631		620
LTC-46F6CKF-P	Orange	605		620
LTC-46F6CKS-P	Yellow	587		800
LTC-46F6CKG-P	Yellow Green	572		800
LTC-46F6TB-P	Blue	470		3900

Flash LED

SMD LED

Through Hole Lamp

LED Display

Automotive LED

Signage LED

Lighting LED

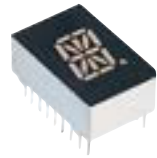
Infrared Emitter and Detector

Optical Sensors

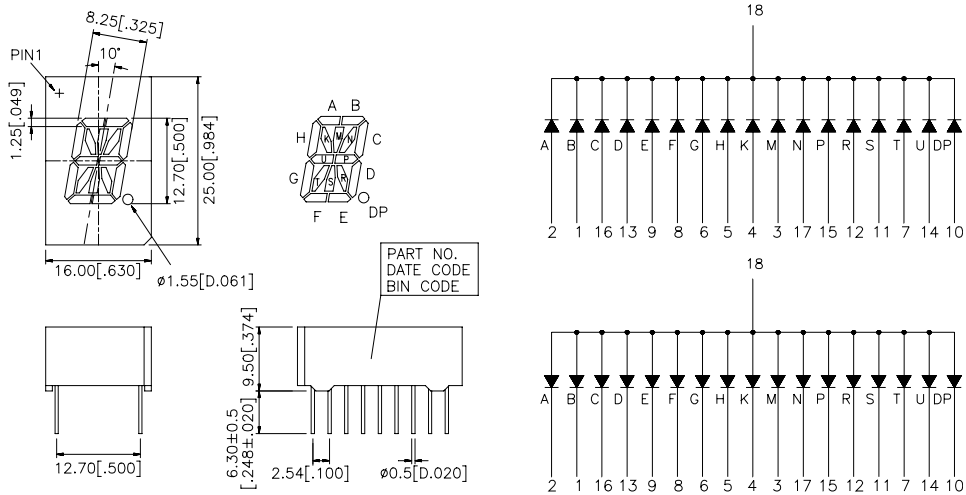
Photocoupler

UV LED

Alphanumeric Display

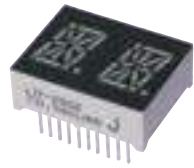


12.7mm (.5")
Dual-In-Line
1" H x .63" W x .38" D

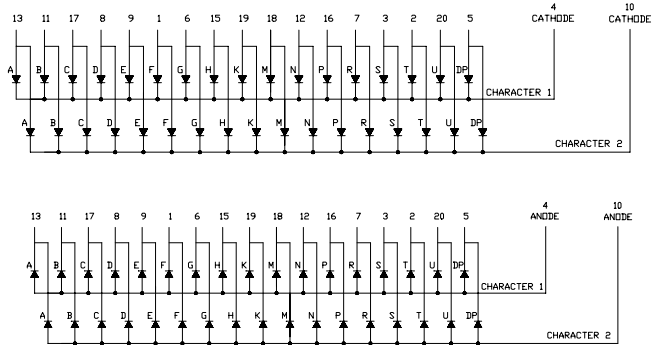
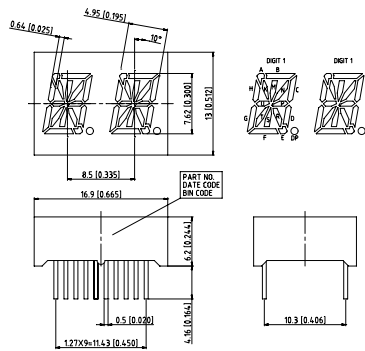


Part No.	Color	λ_d (nm)	Description	Typ. Luminous Intensity I _v /Seg @I _v =1mA (μcd)
LTP-537KD	Hyper Red	639	Common Cathode, Single, Dual Character, Rt. Hand Decimal	700
LTP-537KR	Super Red	631		700
LTP-537KS	Orange	605		1600
LTP-537KF	Yellow	587		900
LTP-537KG	Yellow Green	572		900
LTP-587KD	Hyper Red	639	Common Anode, Single, Dual Character, Rt. Hand Decimal	700
LTP-587KR	Super Red	631		700
LTP-587KS	Orange	605		1600
LTP-587KF	Yellow	587		900
LTP-587KG	Yellow Green	572		900

Alphanumeric Display



7.62mm (.3")
Dual-In-Line
.51" H x .67" W x .24" D



Part No.	Color	λ_d (nm)	Description	Typ. Luminous Intensity I _v /Seg @ I _f =1mA (μcd)
LTP-3362JD	■ Hyper Red	639	Common Cathode, Duplex, Dual Character, Rt. Hand Decimal	600
LTP-3362JR	■ Super Red	631		600
LTP-3362JS	■ Orange	605		1200
LTP-3362JF	■ Yellow	587		800
LTP-3362JG	■ Yellow Green	572		800
LTP-3862JD	■ Hyper Red	639	Common Anode, Duplex, Dual Character, Rt. Hand Decimal	600
LTP-3862JR	■ Super Red	631		600
LTP-3862JS	■ Orange	605		1200
LTP-3862JF	■ Yellow	587		800
LTP-3862JG	■ Yellow Green	572		800

Flash LED

SMD LED

Through Hole Lamp

LED Display

Automotive LED

Signage LED

Lighting LED

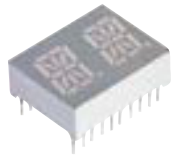
Infrared Emitter and Detector

Optical Sensors

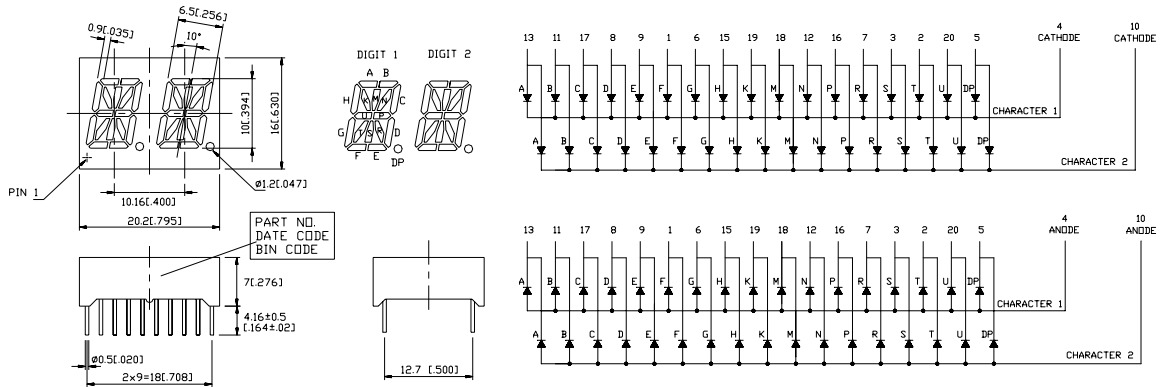
Photocoupler

UV LED

Alphanumeric Display



10.4mm (.4")
Dual-In-Line
.63" H x .8" W x .28" D

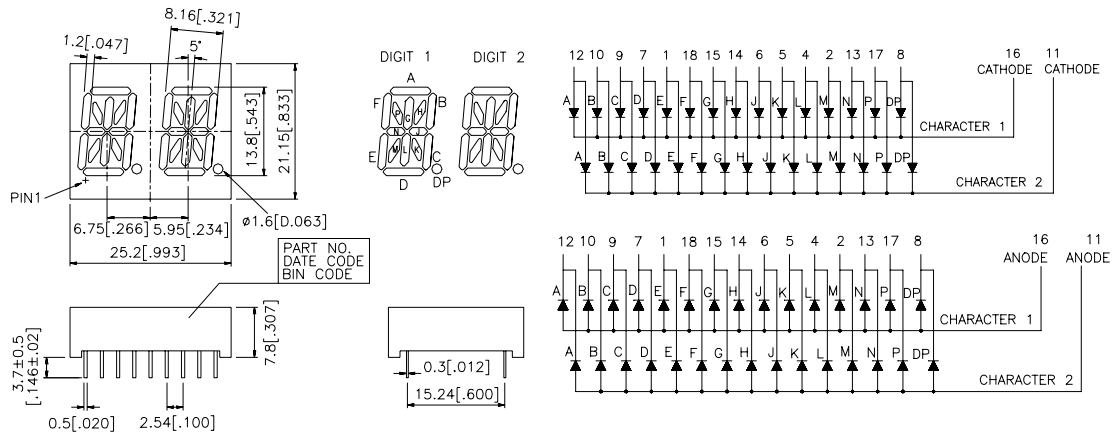


Part No.	Color	λ_d (nm)	Description	Typ. Luminous Intensity I _v /Seg @ I _f =1mA (μcd)
LTP-4323JD	Hyper Red	639	Common Cathode, Duplex, Dual Character, Rt. Hand Decimal	650
LTP-4323KR	Super Red	631		650
LTP-4323KS	Orange	605		1300
LTP-4323KF	Yellow	587		850
LTP-4323JG	Yellow Green	572		850
LTP-4823JD	Hyper Red	639	Common Anode, Duplex, Dual Character, Rt. Hand Decimal	650
LTP-4823KR	Super Red	631		650
LTP-4823KS	Orange	605		1300
LTP-4823KF	Yellow	587		850
LTP-4823JG	Yellow Green	572		850

Alphanumeric Display



13.8mm (.54")
Dual-In-Line
.84" H x 1" W x .32" D



Part No.	Color	λ_d (nm)	Description	Typ. Luminous Intensity I _v /Seg @ I _f =1mA (μcd)
LTP-3784KD-01	Hyper Red	639	Common Cathode, Duplex, Dual Character, Rt. Hand Decimal	700
LTP-3784KR-01	Super Red	631		700
LTP-3784KF-01	Orange	605		1600
LTP-3784KS-01	Yellow	587		900
LTP-3784JG-01	Yellow Green	572		900
LTP-3786KD-01	Hyper Red	639	Common Anode, Duplex, Dual Character, Rt. Hand Decimal	700
LTP-3786KR-01	Super Red	631		700
LTP-3786KF-01	Orange	605		1600
LTP-3786KS-01	Yellow	587		900
LTP-3786JG-01	Yellow Green	572		900

Flash LED

SMD LED

Through Hole Lamp

LED Display

Automotive LED

Signage LED

Lighting LED

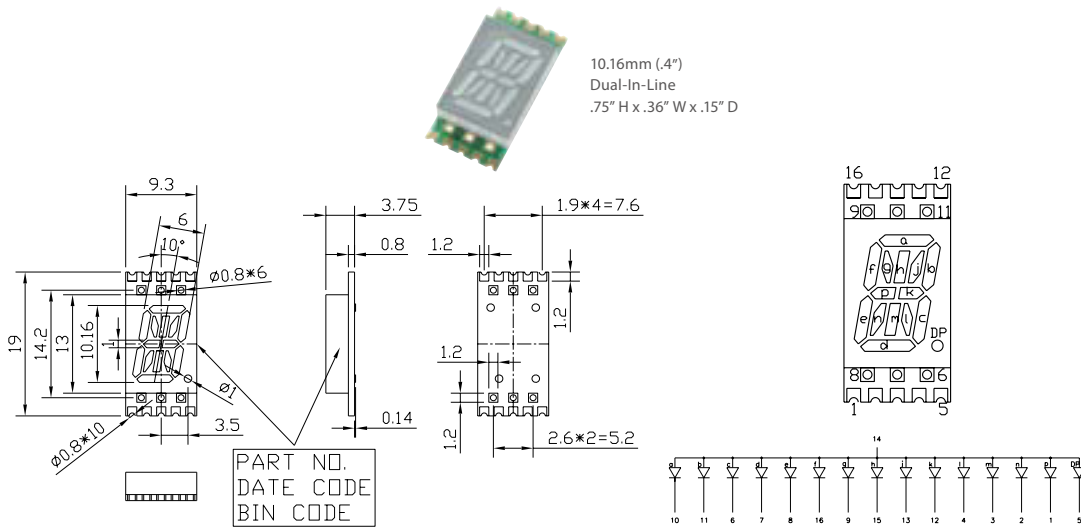
Infrared Emitter and Detector

Optical Sensors

Photocoupler

UV LED

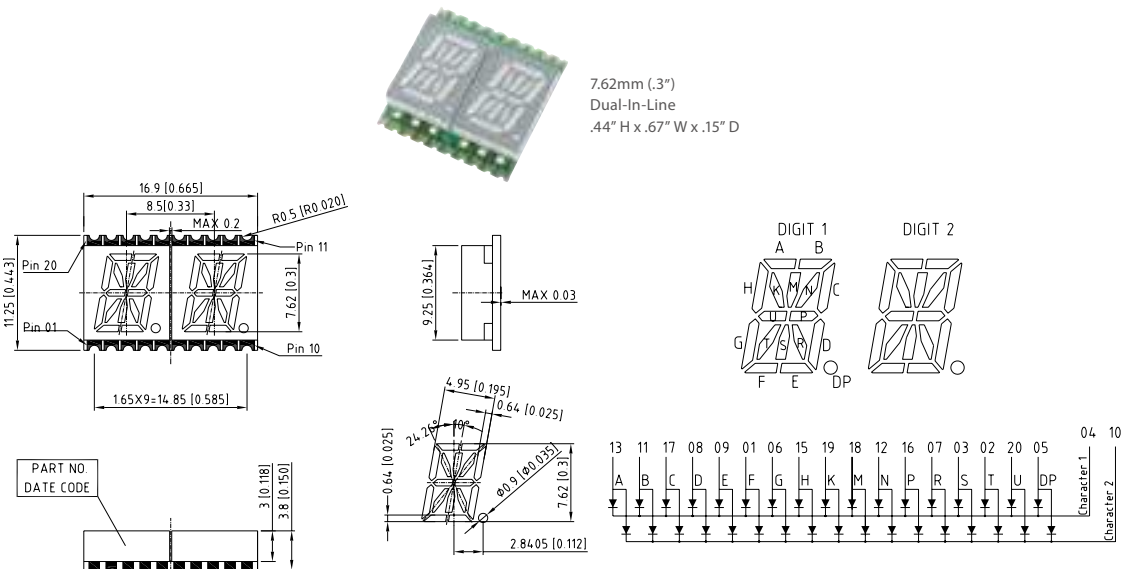
Alphanumeric Display_SMD Type



10.16mm (.4")
Dual-In-Line
.75" H x .36" W x .15" D

Part No.	Color	λ_d (nm)	Description	Typ. Luminous Intensity Iv/Seg @ $I_c=1\text{mA}$ (μcd)
LTP-4824CKD-P	Hyper Red	639	Common Anode	1050
LTP-4824CKR-P	Super Red	631		1050
LTP-4824CKF-P	Orange	605		1050
LTP-4824CKS-P	Yellow	587		1050
LTP-4824CKG-P	Yellow Green	572		1050

Alphanumeric Display_SMD Type



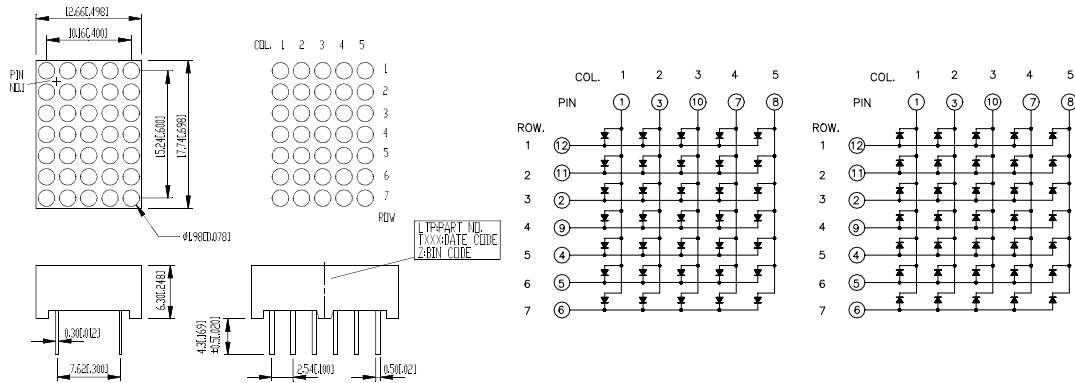
7.62mm (.3")
Dual-In-Line
.44" H x .67" W x .15" D

Part No.	Color	λ_d (nm)	Description	Typ. Luminous Intensity Iv/Seg @ $I_c=1\text{mA}$ (μcd)
LTP-3363CKD-P	Hyper Red	639	Multiplex Common Cathode, Rt.Hand Decimal	650
LTP-3363CKR-P	Super Red	631		650
LTP-3363CKF-P	Orange	605		650
LTP-3363CKS-P	Yellow	587		650
LTP-3363CKG-P	Yellow Green	572		650

Dot Matrix_5X7 Single Color



17.74mm (2φ)
Dual-In-Line
.7" H x .5" W x .25" D



Part No.	Color	λ_d (nm)	Description	Typ.Iv/Dot@ $I_f=32mA$ 1/16 Duty (μcd)
LTP-747KD	Hyper Red	639	Anode Column, Cathode Row	2300
LTP-747KR	Super Red	631		
LTP-747KF	Orange	605		
LTP-747KS	Yellow	587		
LTP-747KG	Yellow Green	572		
LTP-757KD	Hyper Red	639	Cathode Column, Anode Row	2300
LTP-757KR	Super Red	631		
LTP-757KF	Orange	605		
LTP-757KS	Yellow	587		
LTP-757KG	Yellow Green	572		

Flash LED

SMD LED

Through Hole Lamp

LED Display

Automotive LED

Signage LED

Lighting LED

Infrared Emitter and Detector

Optical Sensors

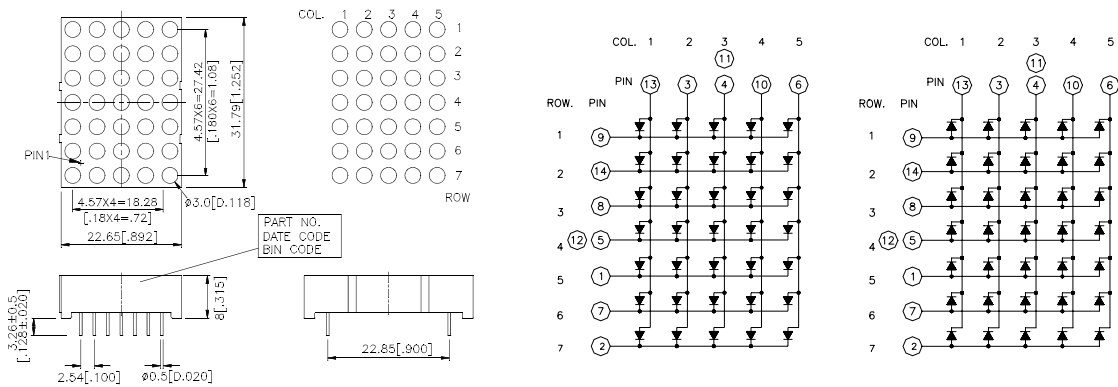
Photocoupler

UV LED

Dot Matrix_5X7 Single Color



31.79mm (3 φ)
Dual-In-Line
1.25" H x .9" W x .31" D

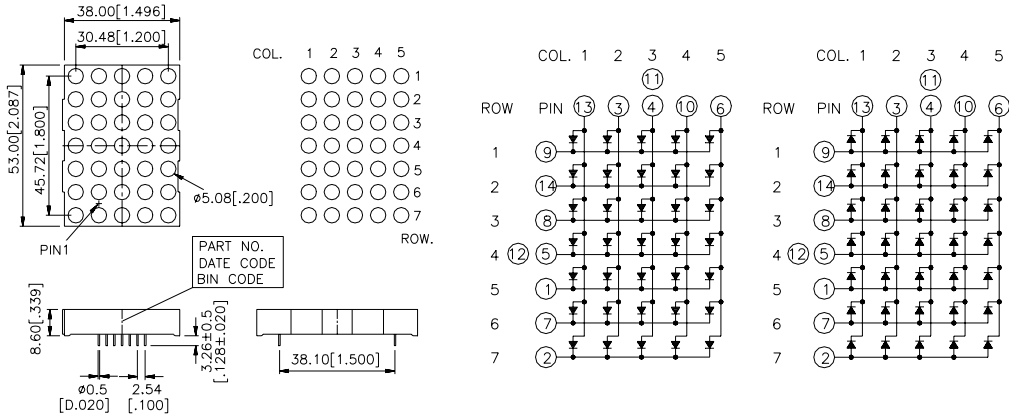


Part No.	Color	λ_d (nm)	Description	Typ.Iv/Dot@I _p =32mA 1/16 Duty (μcd)
LTP-1457KD	Hyper Red	639		
LTP-1457KR	Super Red	631		
LTP-1457KF	Orange	605	Anode Column, Cathode Row	4500
LTP-1457KS	Yellow	587		
LTP-1457KG	Yellow Green	572		
LTP-1557KD	Hyper Red	639		
LTP-1557KR	Super Red	631		
LTP-1557KF	Orange	605	Cathode Column, Anode Row	4500
LTP-1557KS	Yellow	587		
LTP-1557KG	Yellow Green	572		
LTP-1557TBE	Blue	470	Cathode Column, Anode Row	1350@I _p =10mA

Dot Matrix_5X7 Single Color



53mm (5 φ)
Dual-In-Line
2.1" H x 1.5" W x .34" D



Part No.	Color	λ_d (nm)	Description	Typ.Iv/Dot@I _p =32mA 1/16 Duty (μcd)
LTP-2057AKA	Super Orange	615	Anode Column, Cathode Row	4600
LTP-2057AKY	Amber Yellow	592		4600
LTP-2057AKR	Super Red	531		3500
LTP-2157AKA	Super Orange	615	Cathode Column, Anode Row	4600
LTP-2157AKY	Amber Yellow	592		4600
LTP-2157AKR	Super Red	531		3500

Flash LED

SMD LED

Through Hole Lamp

LED Display

Automotive LED

Signage LED

Lighting LED

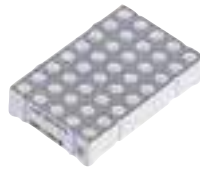
Infrared Emitter and Detector

Optical Sensors

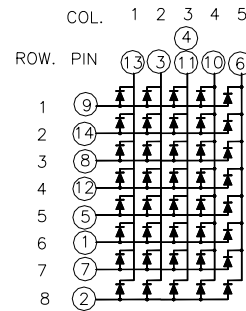
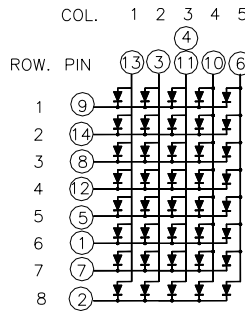
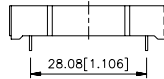
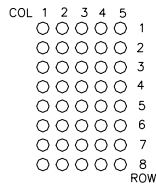
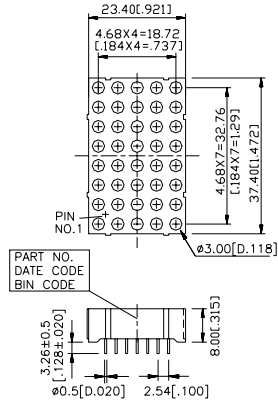
Photocoupler

UV LED

Dot Matrix_5X8 Single Color

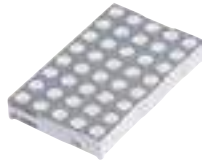


37.4mm (3φ)
Dual-In-Line
1.47" H x .9" W x .31" D

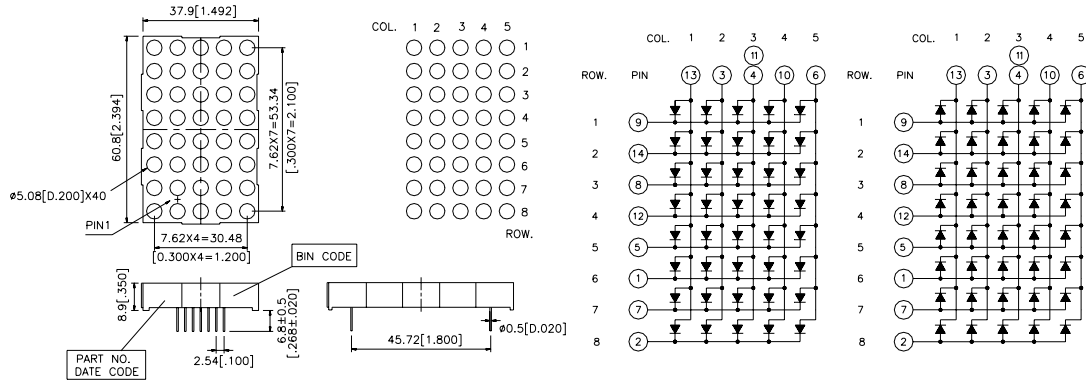


Part No.	Color	λ_d (nm)	Description	Typ.Iv/Dot@ $I_p=32mA$ 1/16 Duty (μcd)
LTP-14058AKD	Hyper Red	639		
LTP-14058AKR	Super Red	631		
LTP-14058AKF	Orange	605	Anode Column, Cathode Row	4500
LTP-14058AKS	Yellow	587		
LTP-14058AKG	Yellow Green	572		
LTP-14158AKD	Hyper Red	639		
LTP-14158AKR	Super Red	631		
LTP-14158AKF	Orange	605	Cathode Column, Anode Row	4500
LTP-14158AKS	Yellow	587		
LTP-14158AKG	Yellow Green	572		

Dot Matrix_5X8 Single Color



60.8mm (5φ)
Dual-In-Line
2.4" H x 1.5" W x .35" D



Part No.	Color	λ_d (nm)	Description	Typ.Iv/Dot@I _p =32mA 1/16 Duty (μcd)
LTP-2058AKD	Hyper Red	639	Anode Column, Cathode Row	4910
LTP-2058AKR	Super Red	631		
LTP-2058AKF	Orange	605		
LTP-2058AKS	Yellow	587		
LTP-2058AKG	Yellow Green	572	Cathode Column, Anode Row	4910
LTP-2158AKD	Hyper Red	639		
LTP-2158AKR	Super Red	631		
LTP-2158AKF	Orange	605		
LTP-2158AKS	Yellow	587		
LTP-2158AKG	Yellow Green	572		

Flash LED

SMD LED

Through Hole Lamp

LED Display

Automotive LED

Signage LED

Lighting LED

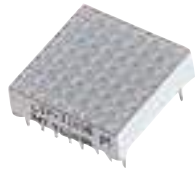
Infrared Emitter and Detector

Optical Sensors

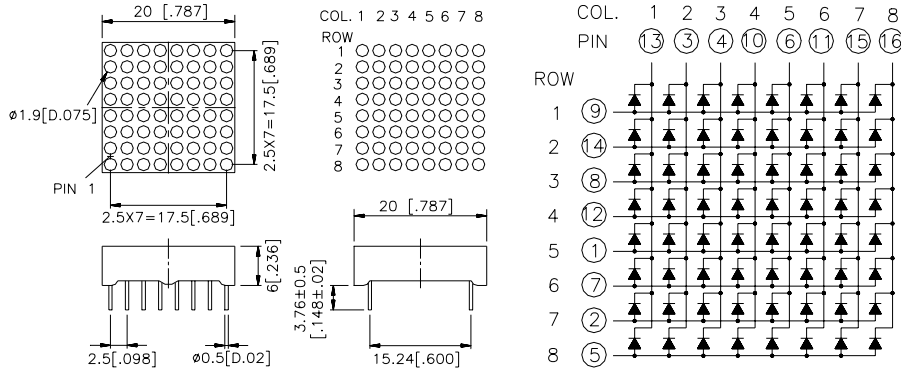
Photocoupler

UV LED

Dot Matrix_8X8 Single Color



20mm (1.9φ)
Dual-In-Line
.8" H x .8" W x .24" D

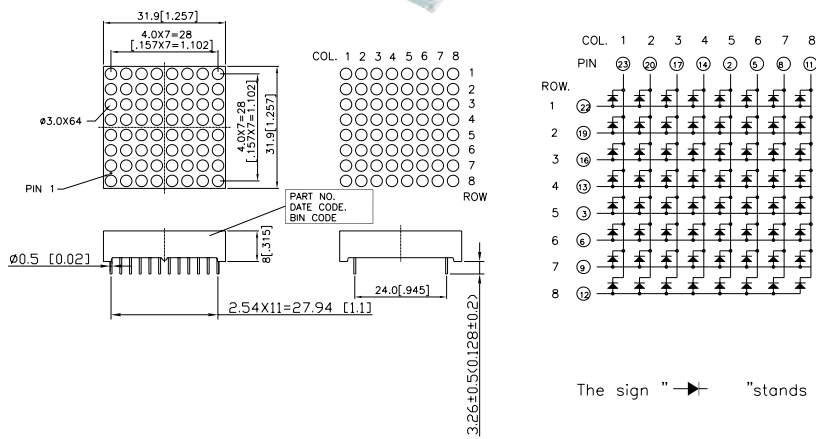


Part No.	Color	λ_d (nm)	Description	Typ.Iv/Dot@I _p =32mA 1/16 Duty (μcd)
LTP-7188KD	Hyper Red	639		
LTP-7188KR	Super Red	631		
LTP-7188KF	Orange	605	Anode Row, Cathode Column	2300
LTP-7188KS	Yellow	587		
LTP-7188KG	Yellow Green	572		

Dot Matrix_8X8 Single Color



48mm (5φ)
Dual-In-Line
1.26" H x 1.26" W x .32" D



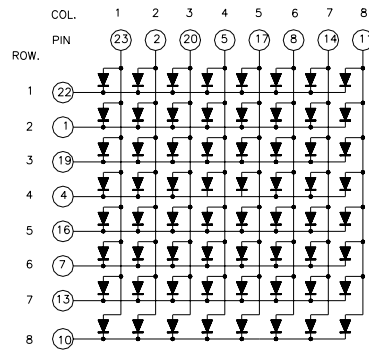
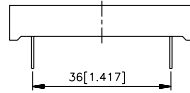
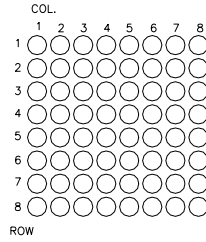
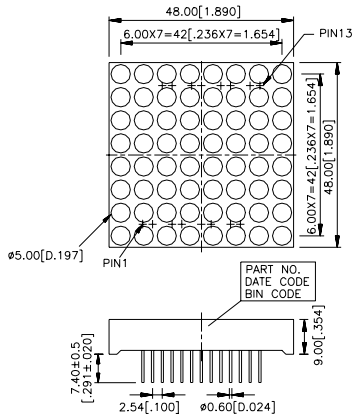
The sign "→" stands for red orange chips.

Part No.	Color	λ_d (nm)	Description	Typ.Iv/Dot@I _p =32mA 1/16 Duty (μcd)
LTP-12788KD	Hyper Red	639		
LTP-12788KR	Super Red	631		
LTP-12788KF	Orange	605	Anode Row, Cathode Column	2300
LTP-12788KS	Yellow	587		
LTP-12788KG	Yellow Green	572		

Dot Matrix_8X8 Single Color



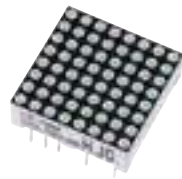
48mm (5 φ)
Dual-In-Line
1.9" H x 1.9" W x .35" D



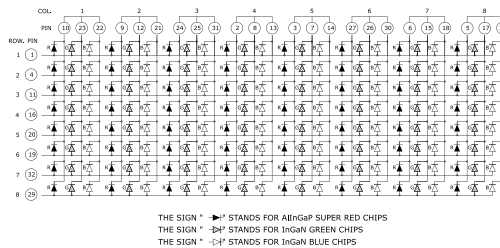
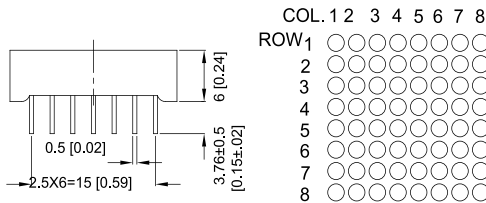
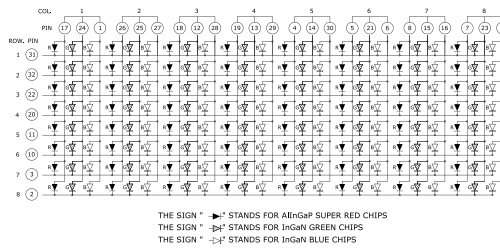
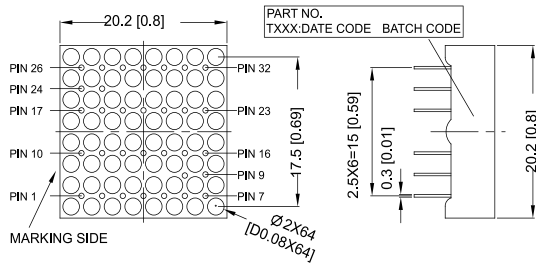
Part No.	Color	λ_d (nm)	Description	Typ.Iv/Dot@I _p =32mA 1/16 Duty (μcd)
LTP-18088KD	Hyper Red	639	Anode Column, Cathode Row	4910
LTP-18088KR	Super Red	631		
LTP-18088KF	Orange	605		
LTP-18088KS	Yellow	587		
LTP-18088KG	Yellow Green	572		

- Flash LED
- SMD LED
- Through Hole Lamp
- LED Display
- Automotive LED
- Signage LED
- Lighting LED
- Infrared Emitter and Detector
- Optical Sensors
- Photocoupler
- UV LED

Dot Matrix_8X8 Multi Color

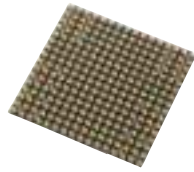


20.2mm (2.0φ)
Multi-In-Line
.8" H x .8" W x .24" D

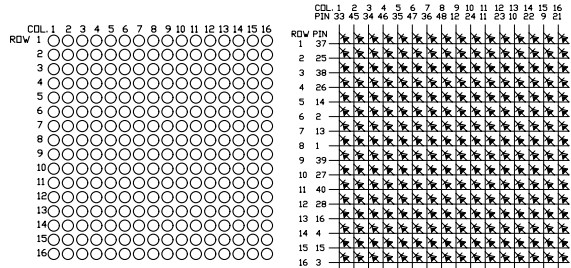
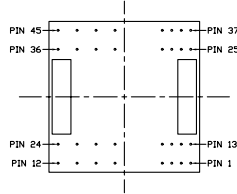
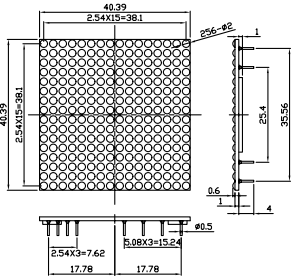


Part No.	Color	λ_d (nm)	Description	Typ.Iv/Dot@I _p =10mA (μcd)
LTP-7488SF	■ Super Red	631	Anode Column, Cathode Row	9653
	■ True Green	525		28000
	■ Blue	470		8500
LTP-7588SF	■ Super Red	631	Cathode Column, Anode Row	9653
	■ True Green	525		28000
	■ Blue	470		8500

Dot Matrix_16X16 Single Color

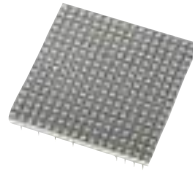


40mm (2.0 φ)
Multi-In-Line
1.59" H x 1.59" W x .07" D

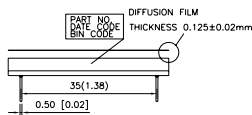
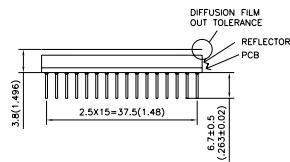
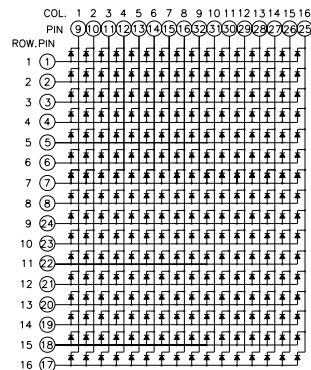
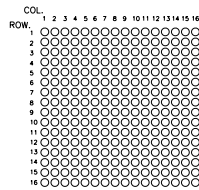
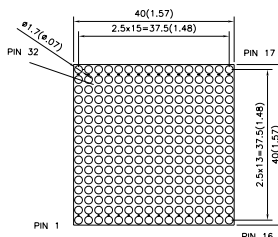


Part No.	Color	λ_d (nm)	Description	Typ.Iv/Dot@ $I_f=28\text{mA}$ 1/16 Duty (μcd)
LTP-158FFKF	Orange	605	Anode Row, Cathode Column	1960

Dot Matrix_16X16 Single Color

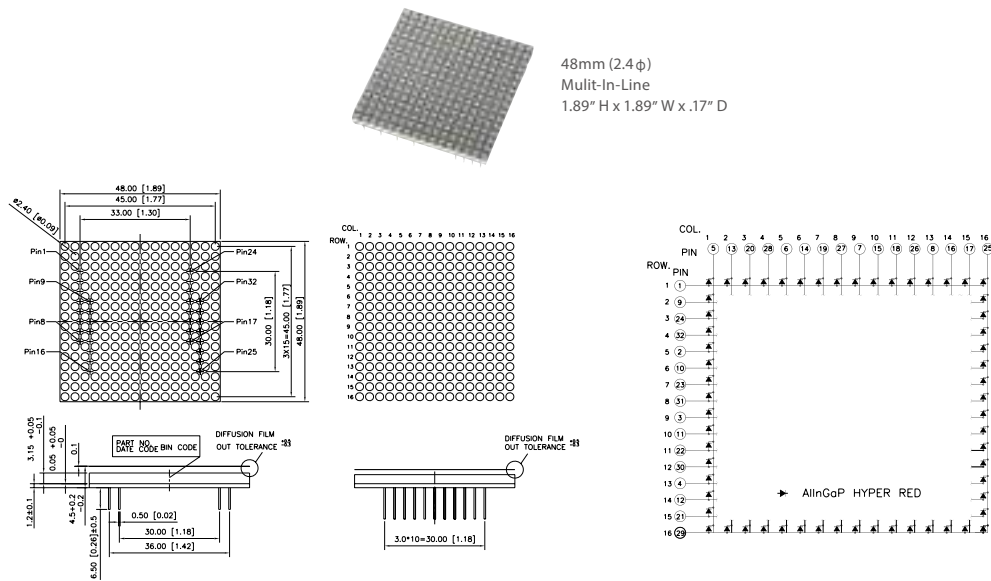


40mm (1.7 φ)
Dual-In-Line
1.57" H x 1.57" W x .14" D



Part No.	Color	λ_d (nm)	Description	Typ.Iv/Dot@ $I_f=25\text{mA}$ 1/16 Duty (μcd)
LTP-159FFKF	Orange	605	Anode Row, Cathode Column	1240

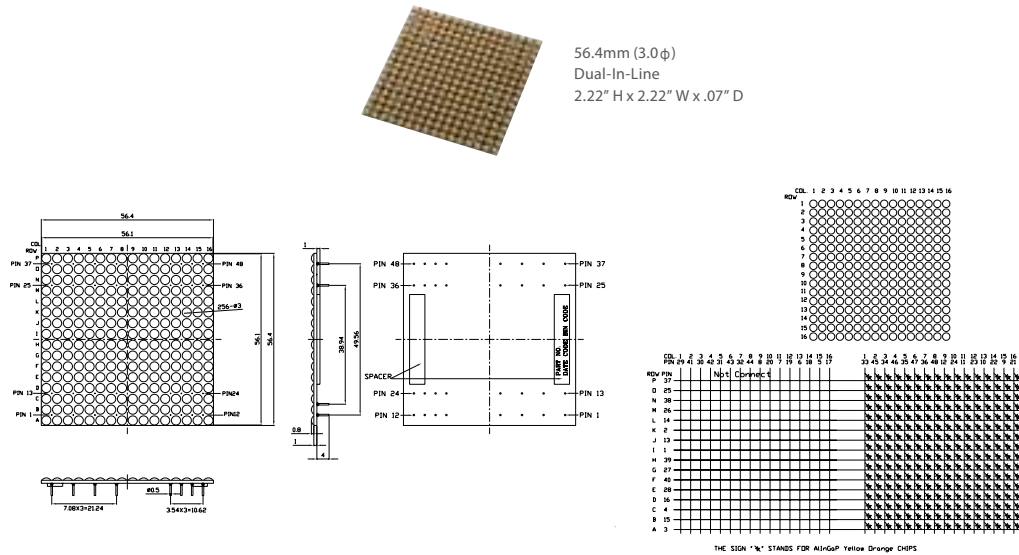
Dot Matrix_16X16 Single Color



48mm (2.4 φ)
Mult-In-Line
1.89" H x 1.89" W x .17" D

Part No.	Color	λ_d (nm)	Description	Typ.Iv/Dot@ $I_p=60\text{mA}$ 1/16 Duty (μcd)
LTP-185FFMKD-J	Hyper Red	639	Anode Row, Cathode Column	1500

Dot Matrix_16X16 Single Color



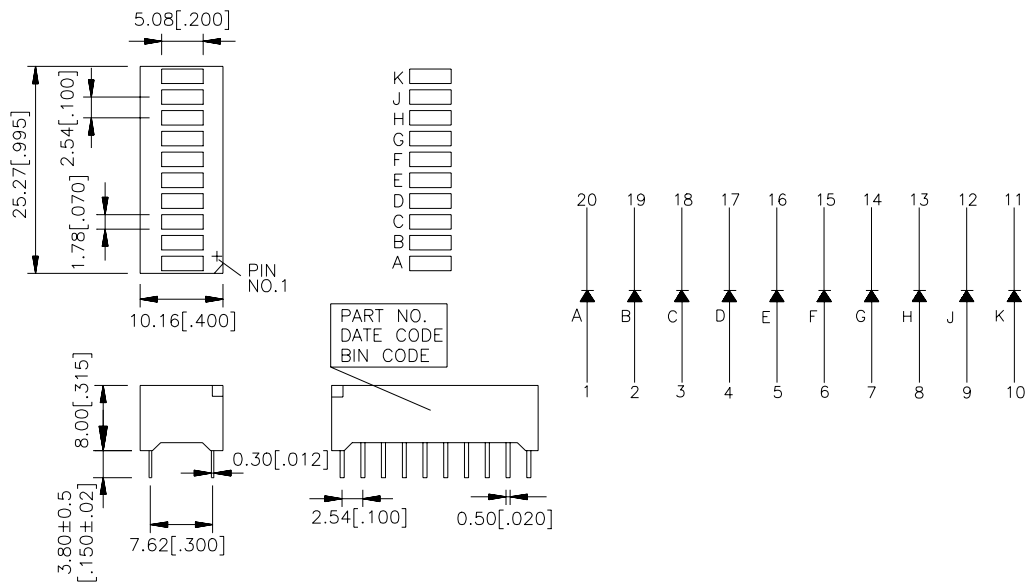
56.4mm (3.0 φ)
Dual-In-Line
2.22" H x 2.22" W x .07" D

Part No.	Color	λ_d (nm)	Description	Typ.Iv/Dot@ $I_p=35\text{mA}$ 1/16 Duty (μcd)
LTP-229FFKF	Orange	605	Anode Row, Cathode Column	2300 μcd

Light Bar Array



20 Pin DIP
 .100" Centers
 .96" L x .40" W x .32" H



Part No.	Color	λ_d (nm)	Description	Typ. Luminous Intensity Iv@10mA (mcd)
LTA-1000KD	Hyper Red	639	Universal Rectangular Bar	12.3
LTA-1000KR	Super Red	631		12.3
LTA-1000KF	Orange	605		16
LTA-1000KS	Yellow Green	587		16.4
LTA-1000KG	Yellow Green	572		7.6

Flash LED

SMD LED

Through Hole Lamp

LED Display

Automotive LED

Signage LED

Lighting LED

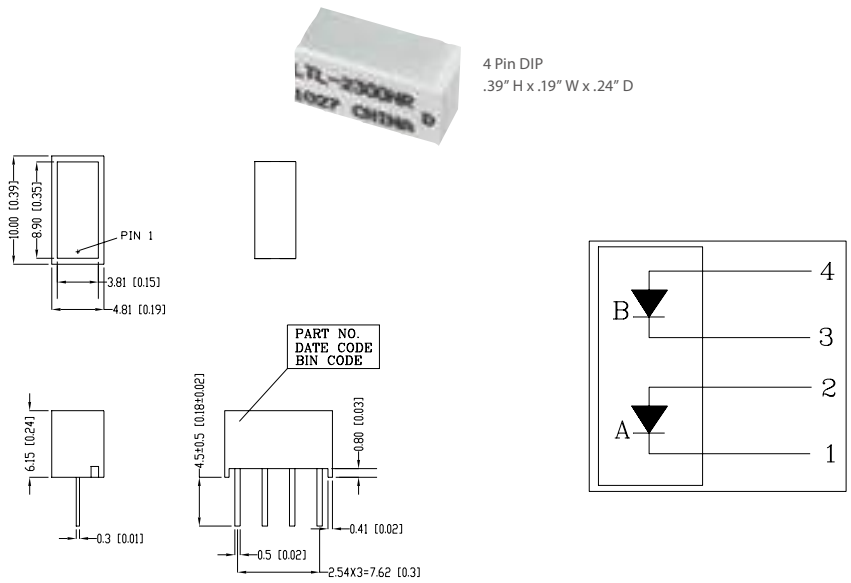
Infrared Emitter and Detector

Optical Sensors

Photocoupler

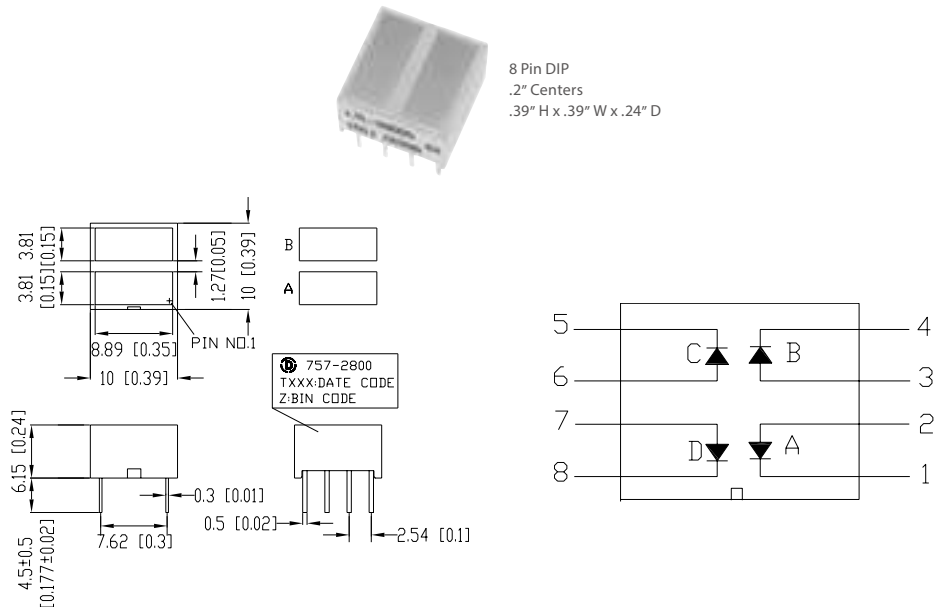
UV LED

Light Bar Array



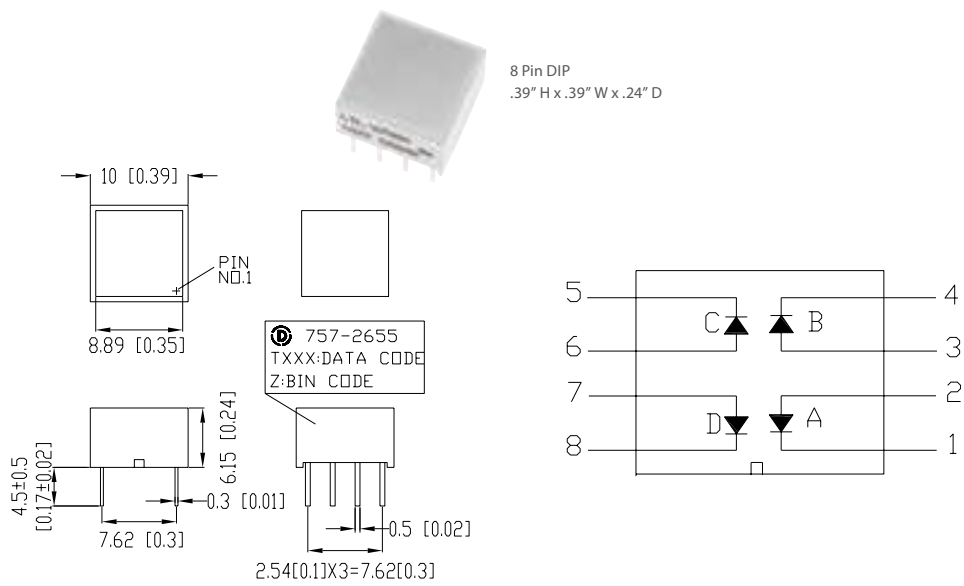
Part No.	Color	λ_d (nm)	Description	Typ. Luminous Intensity I _v @10mA (mcd)
LTL-2300HR	■ Red	623	Universal Rectangular Bar	4.2
LTL-2400Y	■ Yellow	588		4.2
LTL-2500G	■ Yellow Green	569		4.2

Light Bar Array



Part No.	Color	λ_d (nm)	Description	Typ. Luminous Intensity I _v @10mA (mcd)
LTL-2800G	■ Yellow Green	569	Universal Rectangular Bar	4.2

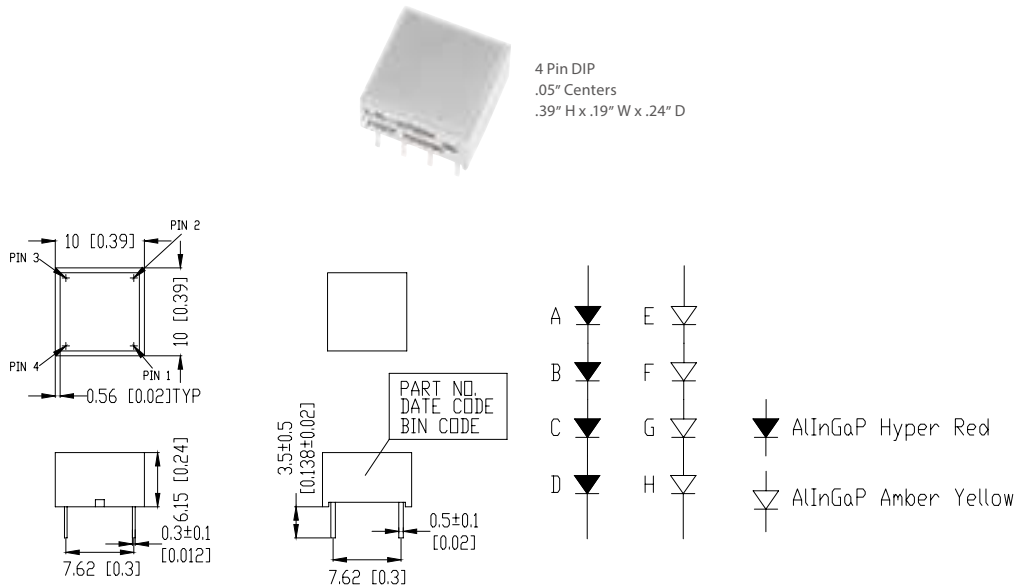
Light Bar Array



8 Pin DIP
.39" H x .39" W x .24" D

Part No.	Color	λ_d (nm)	Description	Typ. Luminous Intensity Iv@10mA (mcd)
LTL-2655JD	Hyper Red	639	Universal Rectangular Bar	1.8
LTL-2655HR	Red	623		8
LTL-2755Y	Yellow	588		8
LTL-2855G	Yellow Green	569		8

Light Bar Array



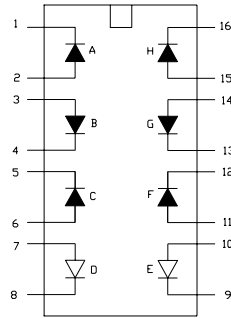
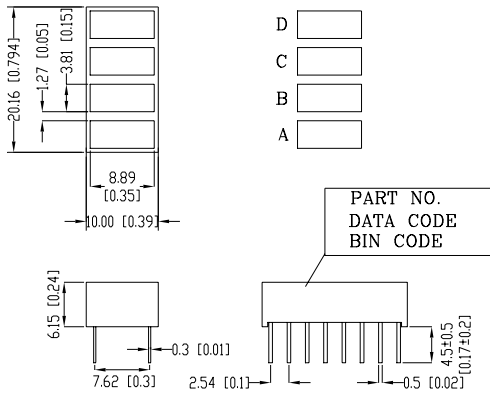
4 Pin DIP
.05" Centers
.39" H x .19" W x .24" D

Part No.	Color	λ_d (nm)	Description	Typ. Luminous Intensity Iv@10mA (mcd)
LTL-4201M	Red	638	Universal Rectangular Bar	70
	Amber Yellow	592		110

Light Bar Array



16 Pin DIP
 .2" Centers
 .79" H x .39" W x .24" D



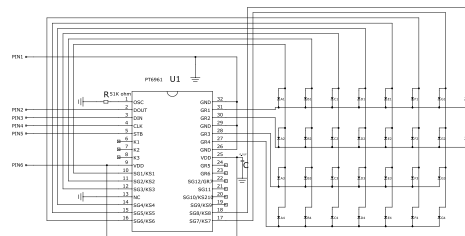
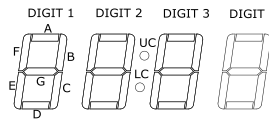
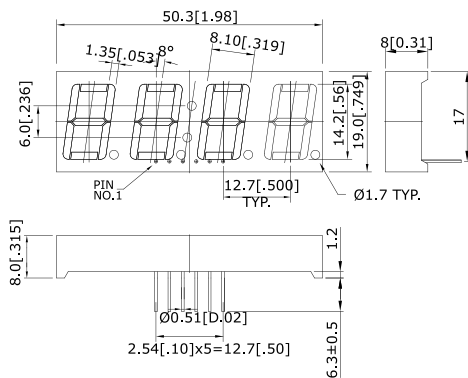
THE SIGN 'A' IS STANDARD FOR RED ORANGE CHIP.
 THE SIGN 'B' IS STANDARD FOR YELLOW CHIP.

Part No.	Color	λ_d (nm)	Description	Typ. Luminous Intensity I _v @10mA (mcd)
LTL-2720Y	Yellow	588	Universal Rectangular Bar	4.2
LTL-2820G	Yellow Green	569		4.2
LTL-2620M	Red Orange	621		2
	Yellow	588		2

LED Display Module



Epoxy Type
 14.2mm (.56")
 Single-In-Line
 .75" H x 1.98" W x .32" D

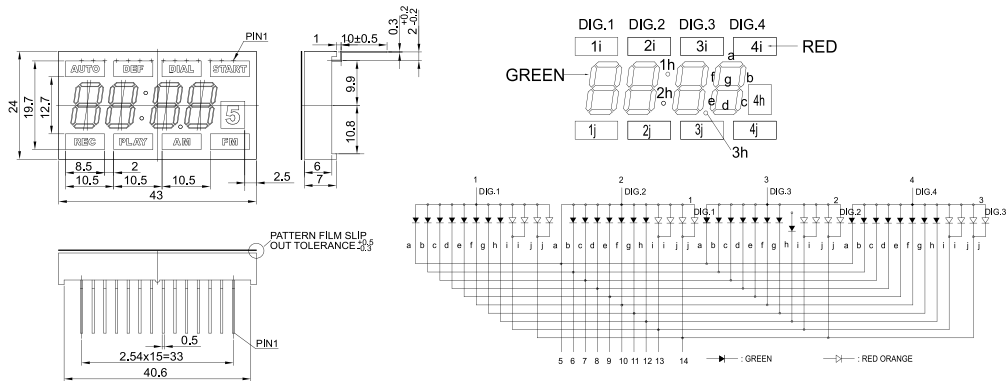


Part No.	Color	λ_d (nm)	Description	Typ. I _v /Seg@I _f =10mA (μcd)	Forward Current I _f (mA)
LTM-0735G	Green	565	Multiplex with IC Driver	2200	10
LTM-0735SW	White	(0.294, 0.286)		118000	5

LED Display Module



10.2mm (.4")
Single-In-Line
.94" H x 1.69" W x .27" D

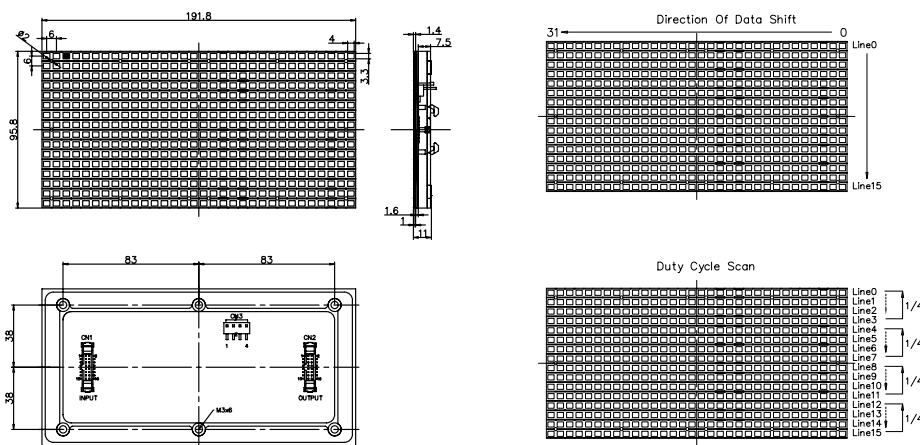


Part No.	Color	λ_d (nm)	Description	$I_f=25mA, 1/8$ Duty (μ cd)
LTM-1008M	Super Red	631	Multiplex Common Anode	5700
	Blue	470		5000

LED Display Module



16 x 32 Matrix
Pitch 6
3.77" H x 7.56" W x .43" D



Part No.	Color	λ_d (nm)	Description	Typ.Iv/Dot@ $I_f=20mA$ (mcd)
LTM-1524KS	Amber Yellow	595	Multiplex with IC Driver	2.4

Flash LED

SMD LED

Through Hole Lamp

LED Display

Automotive LED

Signage LED

Lighting LED

Infrared Emitter and Detector

Optical Sensors

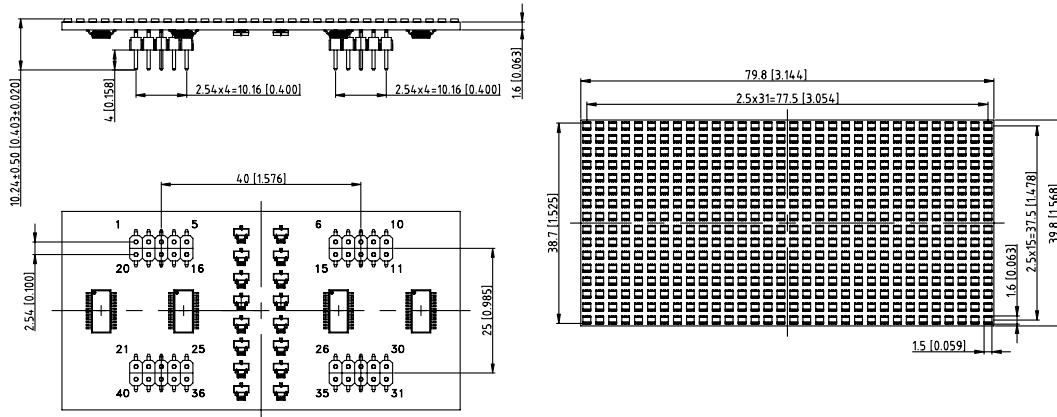
Photocoupler

UV LED

LED Display Module

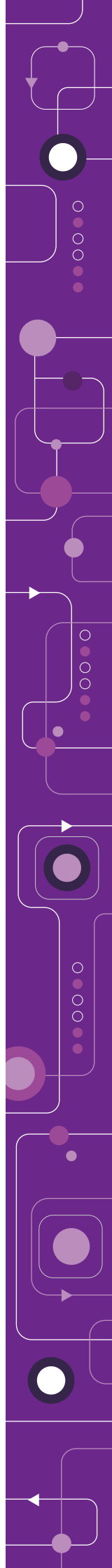


16 x 48 Matrix
Pitch 2.5
1.53" H x 4.72" W x .06" D

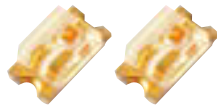


Part No.	Color	λ_d (nm)	Description	Typ.Iv/Seg@ $I_f=10\text{mA}$ (mcd)
LTM-1302SM	■ Super Red	631	Multiplex with IC Driver	10
	■ Yellow Green	571		6.4

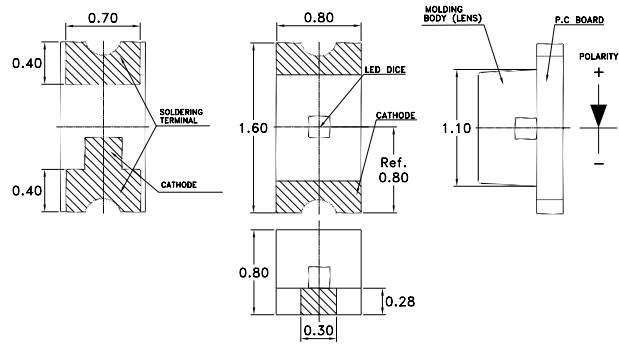
Automotive LED



0603 Chip LED

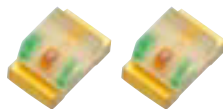


1.6 x 0.8 x 0.55 mm

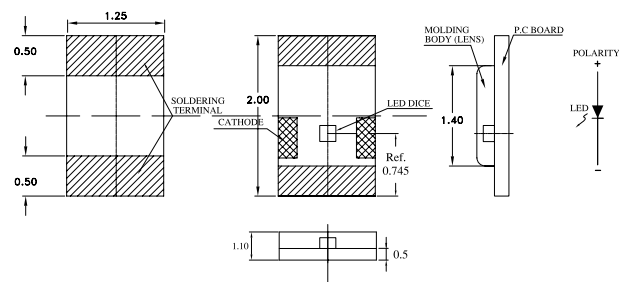


Part No.	Color	λ_d (nm)/ CIE(x,y)	Typ. Luminous Intensity I_v (mcd)	View Angle $2\theta_{1/2}$	Typ. Forward Voltage V_f (V)	Forward Current I_f (mA)	Thermal Resistance $R_{th}(j-s)$ (°C/W)	Max. Forward Current I_f (mA)	Max. Junction Temperature T_J (°C)	Operating Temperature Range(°C)
LTSA-C191KEKT	Red	624	112	130	2.0	20	450	25	95	-40~85
LTSA-C191KSKT	Yellow	590	112	130	2.0	20	450	25	95	-40~85
LTSA-C191TGK5	True Green	525	112	130	3.0	5	370	20	95	-40~85
LTSA-C191TBK5	Blue	470	56	130	3.0	5	370	10	95	-40~85
LTSA-W191DBS5	Cool White	(0.303, 0.317)	180	130	3.0	5	370	20	95	-40~85

0805 Chip LED

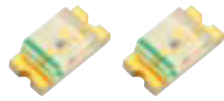


2.0 x 1.25 x 1.1 mm

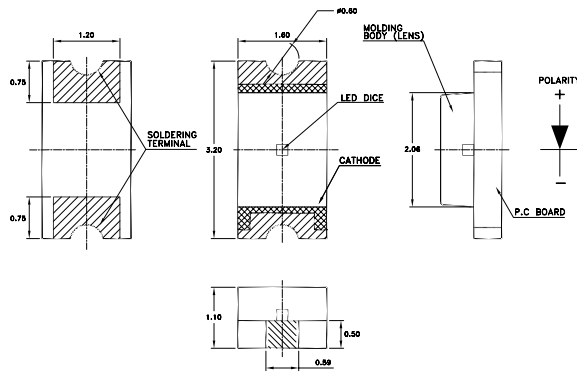


Part No.	Color	λ_d (nm)/ CIE(x,y)	Typ. Luminous Intensity I_v (mcd)	View Angle $2\theta_{1/2}$	Typ. Forward Voltage V_f (V)	Forward Current I_f (mA)	Thermal Resistance $R_{th}(j-s)$ (°C/W)	Max. Forward Current I_f (mA)	Max. Junction Temperature T_J (°C)	Operating Temperature Range(°C)
LTSA-C170KEKT	Red	624	112	130	2.0	20	450	25	95	-40~85
LTSA-C170KSKT	Yellow	590	112	130	2.0	20	450	25	95	-40~85
LTSA-C170TGKT	True Green	525	230	130	2.0	20	370	20	95	-40~85
LTSA-C170TBKT	Blue	470	90	130	2.0	20	370	20	95	-40~85
LTSA-W170ZTBAT-WT	Ice Blue	(0.201, 0.290)	450	130	3.2	20	370	20	95	-40~85
LTSA-W170DBC5	Cool White	(0.297, 0.310)	180	130	3.0	5	370	20	95	-40~85

1206 Chip LED

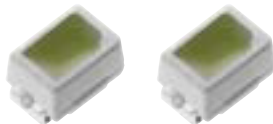


3.2 x 0.8 x 1.1 mm

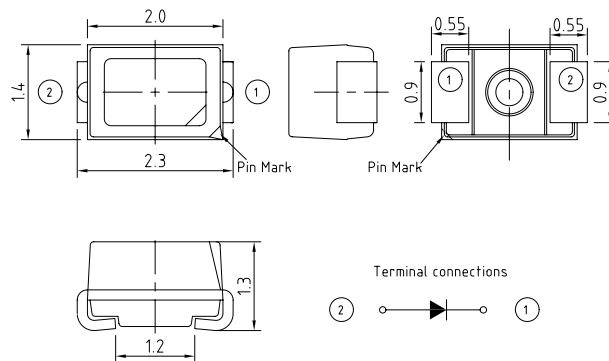


Part No.	Color	λ_d (nm)/ CIE(x,y)	Typ. Luminous Intensity I_v (mcd)	View Angle $2\theta_{1/2}$	Typ. Forward Voltage V_f (V)	Forward Current I_f (mA)	Thermal Resistance $R_{th}(j-s)$ (°C/W)	Max. Forward Current I_f (mA)	Max. Junction Temperature T_J (°C)	Operating Temperature Range(°C)
LTSA-C150KEKT	Red	624	112	130	2.0	20	450	25	95	-40~85
LTSA-C150KSKT	Yellow	590	112	130	2.0	20	450	25	95	-40~85
LTSA-C150TGK5	True Green	525	180	130	3.0	5	370	10	95	-40~85
LTSA-C150TBK5	Blue	470	56	130	3.0	5	370	20	95	-40~85
LTSA-W150TBA5	Bright Cyan	(0.226, 0.314)	355	130	3.0	5	370	10	95	-40~85
LTSA-C150TBV5	Soft Blue	(0.260, 0.227)	224	130	3.0	5	370	10	95	-40~85
LTSA-C150TBW5	Cool White	(0.299, 0.298)	315	130	3.0	5	370	10	95	-40~85

Mini Top LED



2.3x1.4x1.3 mm



Part No.	Color	λ_d (nm)/ CIE(x,y)	Typ. Luminous Intensity I_v (mcd)	View Angle $2\theta_{1/2}$	Typ. Forward Voltage V_f (V)	Forward Current I_f (mA)	Thermal Resistance $R_{th}(j-s)$ (°C/W)	Max. Forward Current I_f (mA)	Max. Junction Temperature T_J (°C)	Operating Temperature Range(°C)
LTSA-M67KKEWT	Red	624	180	120	2.0	20	200	30	115	-40~100
LTSA-M67KKSWT	Yellow	590	180	120	2.0	20	200	30	115	-40~100
LTSA-M67KTGW	True Green	525	1400	120	3.0	20	180	30	115	-40~100
LTSA-M67KTBW	Blue	470	224	120	3.0	20	180	30	115	-40~100
LTSA-M67KTHET	Ice Blue	(0.190, 0.276)	1800	120	3.0	20	180	30	115	-40~100
LTSA-M67KTWET	Cool White	(0.300, 0.300)	1800	120	3.0	20	180	30	115	-40~100

LTSA-M67KTWET is a new product.

Flash LED

SMD LED

Through Hole Lamp

LED Display

Automotive LED

Signage LED

Lighting LED

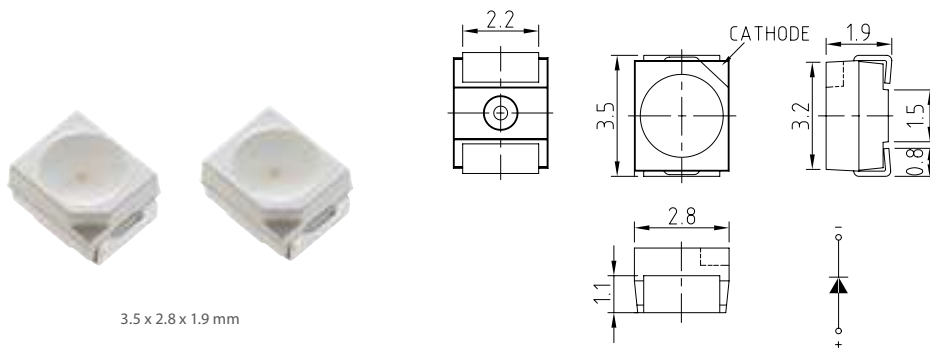
Infrared Emitter and Detector

Optical Sensors

Photocoupler

UV LED

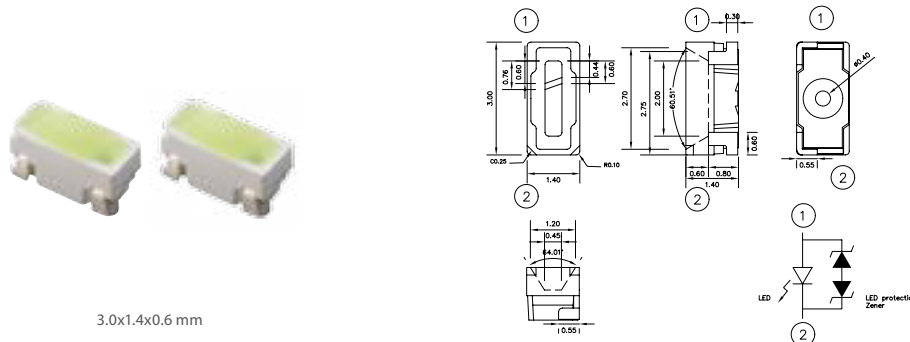
PLCC2 Top LED



3.5 x 2.8 x 1.9 mm

Part No.	Color	λ_d (nm)/ CIE(x,y)	Typ. Luminous Intensity I_v (mcd)	View Angle $2\theta_{1/2}$	Typ. Forward Voltage V_f (V)	Forward Current I_f (mA)	Thermal Resistance $R_{th}(j-s)$ (°C/W)	Max. Forward Current I_f (mA)	Max. Junction Temperature T_j (°C)	Operating Temperature Range(°C)
LTSA-T680VEWT	Red	624	2800	120	2.6	50	110	50	115	-40~100
LTSA-T680KEWT	Red	624	180	120	2.0	20	250	30	115	-40~100
LTSA-T680VSWT	Yellow	590	2800	120	2.6	50	110	50	115	-40~100
LTSA-T680KSWT	Yellow	590	280	120	2.0	20	250	30	115	-40~100
LTSA-T680ZGWT-3	True Green	525	355	120	3.3	10	250	30	115	-40~100
LTSA-T680ZBWT-3	Blue	470	180	120	3.3	10	120	30	115	-40~100
LTSA-T680ZHET	Ice Blue	(0.190, 0.276)	1400	120	3.0	20	120	30	115	-40~100
LTSA-T680ZWET	Cool White	(0.320, 0.313)	2240	120	3.0	20	120	30	115	-40~100

Side LED_S089



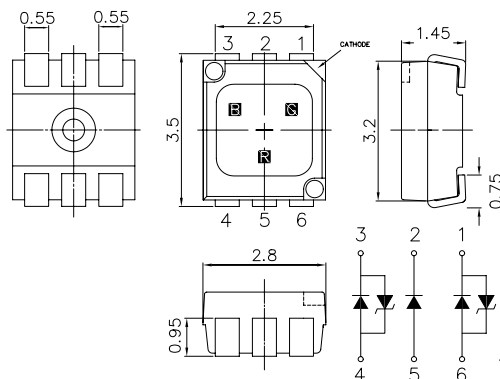
3.0x1.4x0.6 mm

Part No.	Color	CIE(x,y)	Typ. Luminous Flux Φ_v (lm)	View Angle $2\theta_{1/2}$	Typ. Forward Voltage V_f (V)	Forward Current I_f (mA)	Thermal Resistance $R_{th}(j-s)$ (°C/W)	Max. Forward Current I_f (mA)	Max. Junction Temperature T_j (°C)	Operating Temperature Range(°C)
LTSA-S089ZHET	Ice Blue	(0.190, 0.276)	5	120	3.1	20	260	30	110	-40~100
LTSA-S089ZWET	Cool White	(0.316, 0.333)	9	120	3.0	20	260	50	110	-40~100

Multi Color 3-in-1 Top LED_G683



3.5x2.8x1.45 mm

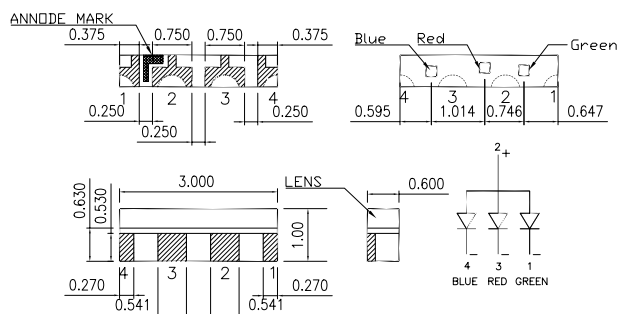


Part No.	Color	λ_d (nm)	Typ. Luminous Intensity I_v (mcd)	View Angle $2\theta_{1/2}$	Typ. Forward Voltage V_f (V)	Forward Current I_f (mA)	Thermal Resistance $R_{th}(j-s)$ ($^{\circ}C/W$)	Max. Forward Current I_f (mA)	Max. Junction Temperature T_J ($^{\circ}C$)	Operating Temperature Range($^{\circ}C$)
L TSA-G683ZBEGWU	Red	624	560	120	2.0	20	170	30	115	-40~110
	True Green	530	1400		3.0	20	170	30	125	
	Blue	470	280		3.0	20	170	30	125	

Multi Color 3-in-1 Side LED_S33



3.0x1.0x0.6 mm



Part No.	Color	λ_d (nm)	Typ. Luminous Intensity I_v (mcd)	View Angle $2\theta_{1/2}$	Typ. Forward Voltage V_f (V)	Forward Current I_f (mA)	Thermal Resistance $R_{th}(j-s)$ ($^{\circ}C/W$)	Max. Forward Current I_f (mA)	Max. Junction Temperature T_J ($^{\circ}C$)	Operating Temperature Range($^{\circ}C$)
L TSA-S33GBEGK5	Red	624	180	130	2.0	5	450	20	95	-40~85
	True Green	530	180	130	2.8	5	370	20	95	
	Blue	470	112	130	2.8	5	370	20	95	

Flash LED

SMD LED

Through Hole Lamp

LED Display

Automotive LED

Signage LED

Lighting LED

Infrared Emitter and Detector

Optical Sensors

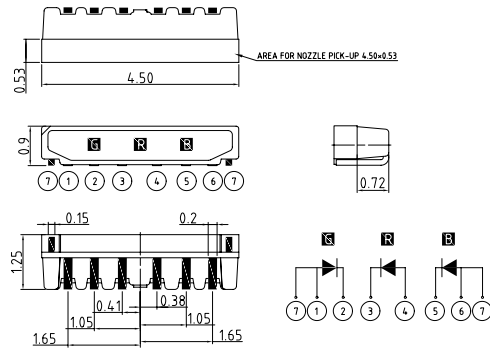
Photocoupler

UV LED

Multi Color 3-in-1 Side LED_S008



4.5 x 1.25 x 0.8 mm

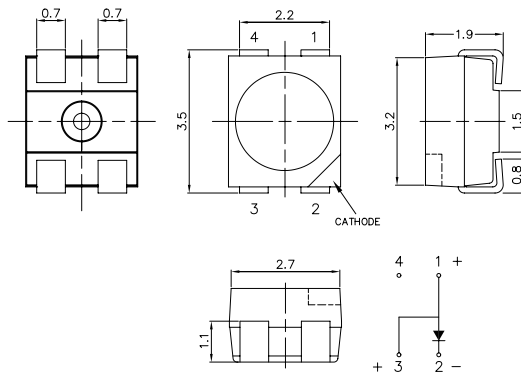


Part No.	Color	λ_d (nm)	Typ. Luminous Flux Φ_v (lm)	View Angle $2\theta_{1/2}$	Typ. Forward Voltage V_f (V)	Forward Current I_f (mA)	Thermal Resistance $R_{th}(j-s)$ (°C/W)	Max. Forward Current I_f (mA)	Max. Junction Temperature T_j (°C)	Operating Temperature Range(°C)
LTSA-S008RGBWA	■ Red	624	1.5	120	2.0	20	220	30	125	-40~100
	■ True Green	530	0.5	120	3.0	20	220	20	125	
	■ Blue	470	0.5	120	3.0	20	220	20	125	

PLCC4 Top LED



3.5 x 2.8 x 1.9 mm

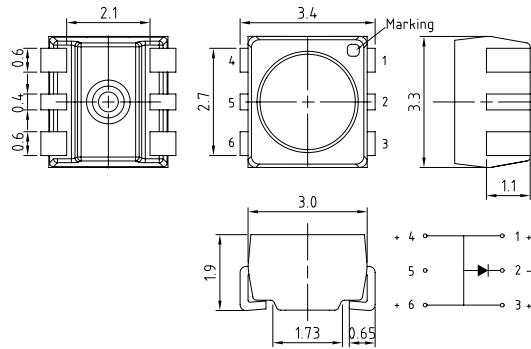


Part No.	Color	λ_d (nm)/ CIE(x,y)	Typ. Luminous Intensity I_v (mcd)	View Angle $2\theta_{1/2}$	Typ. Forward Voltage V_f (V)	Forward Current I_f (mA)	Thermal Resistance $R_{th}(j-s)$ (°C/W)	Max. Forward Current I_f (mA)	Max. Junction Temperature T_j (°C)	Operating Temperature Range(°C)
LTSA-E67RVEWT	■ Red	624	2800	120	2.2	50	110	70	115	-40~100
LTSA-E67RVAWT	■ Amber	615	2800	120	2.2	50	110	70	115	-40~100
LTSA-E67RVSWT	■ Yellow	590	2800	120	2.2	50	110	70	115	-40~100
LTSA-E67RZHET	■ Ice Blue	(0.190, 0.276)	1800	120	3.0	15	120	30	115	-40~100
LTSA-E67RZWET	■ Cool White	(0.320, 0.313)	4500	120	3.2	50	120	80	115	-40~100

PLCC6 Top LED



3.4 x 3.3 x 1.9 mm

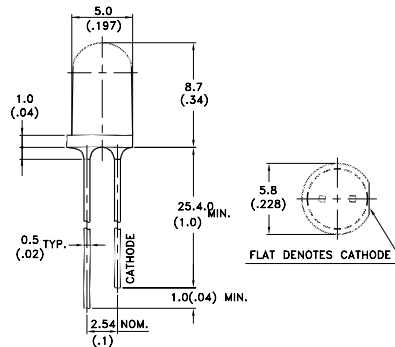


Part No.	Color	λ_d (nm)/ CIE(x,y)	Typ. Luminous Intensity I_v (mcd)	View Angle $2\theta_{1/2}$	Typ. Forward Voltage V_f (V)	Forward Current I_f (mA)	Thermal Resistance $R_{th}(j-s)$ (°C/W)	Max. Forward Current I_f (mA)	Max. Junction Temperature T_J (°C)	Operating Temperature Range(°C)
LTSA-G6SPVEKT	Red	624	5600	120	2.2	140	30	200	125	-40~110
LTSA-G6SPVAKT	Amber	615	7100	120	2.2	140	30	200	125	-40~110
LTSA-G6SPVSKT	Yellow	590	5600	120	2.2	140	30	200	125	-40~110
LTSA-G6SVUWET	Cool White	(0.320, 0.313)	11200	120	3.2	140	25	200	125	-40~110
LTSA-G6SVUAET	PC Amber	(0.570, 0.420)	4500	120	3.2	140	25	200	125	-40~110

5mm Through Hole Lamp

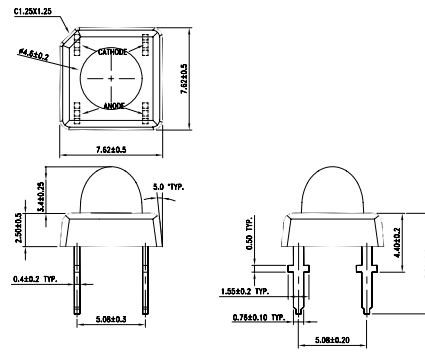


5mm round, T1 3/4



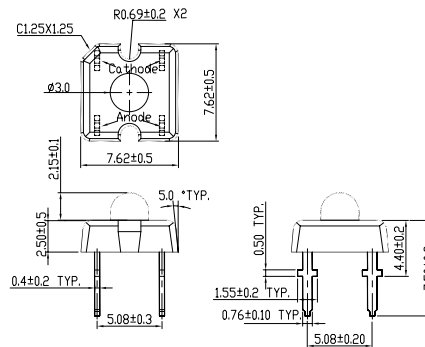
Part No.	Color	λ_d (nm)	Typ. Luminous Intensity I_v (mcd)	View Angle $2\theta_{1/2}$	Typ. Forward Voltage V_f (V)	Forward Current I_f (mA)	Thermal Resistance $R_{th}(j-s)$ (°C/W)	Max. Forward Current I_f (mA)	Max. Junction Temperature T_J (°C)	Operating Temperature Range(°C)
LTLA2R3EW3K	Red	624	5500	30	2.0	20	320	50	125	-40~100
LTLA2H3VYY1K	Yellow	590	12000	30	2.0	20	320	50	125	-40~100
LTLA2R3YW3K	Yellow	590	5500	30	2.0	20	320	50	125	-40~100

25° Piranha



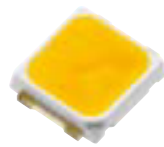
Part No.	Color	λ_d (nm)	Typ. Luminous Flux Φ_v (lm)	View Angle $2\theta_{1/2}$	Typ. Forward Voltage V_f (V)	Forward Current I_f (mA)	Thermal Resistance $R_{th}(j-s)$ (°C/W)	Max. Forward Current I_f (mA)	Max. Junction Temperature T_j (°C)	Operating Temperature Range(°C)
LTLA916VAJ2K	Amber	615	8	25	2.2	70	70	70	125	-40~110
LTLA916VYJ2K	Yellow	590	8	25	2.2	70	70	70	125	-40~110

30° Piranha

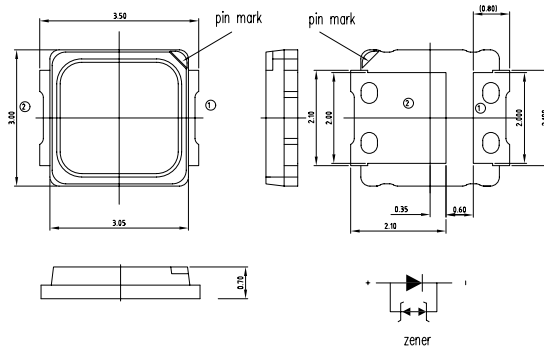


Part No.	Color	λ_d (nm)	Typ. Luminous Flux Φ_v (lm)	View Angle $2\theta_{1/2}$	Typ. Forward Voltage V_f (V)	Forward Current I_f (mA)	Thermal Resistance $R_{th}(j-s)$ (°C/W)	Max. Forward Current I_f (mA)	Max. Junction Temperature T_j (°C)	Operating Temperature Range(°C)
LTLA918VEJ3K	Red	624	6	30	2.2	50	70	50	110	-40~100
LTLA918VYJ3K	Yellow	590	6	30	2.2	50	70	50	110	-40~100

High Power LED_P3030



3.5 x 3.0 x 0.7 mm

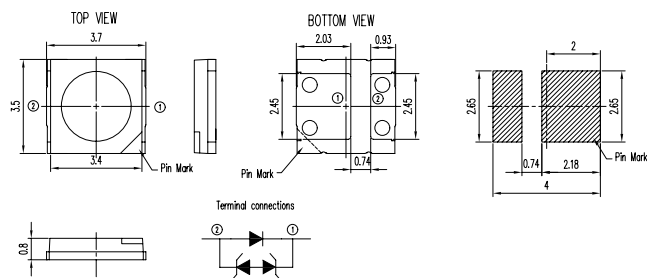


Part No.	Color	λ_d (nm)/ CIE(x,y)	Typ. Luminous Flux Φ_v (lm)	View Angle $2\theta_{1/2}$	Typ. Forward Voltage V_f (V)	Forward Current I_f (mA)	Thermal Resistance $R_{th}(j-s)$ (°C/W)	Max. Forward Current I_f (mA)	Max. Junction Temperature T_j (°C)	Operating Temperature Range(°C)
LTPA-P3030CNPKE	Red	624	40	120	2.2	350	10	400	125	-40~100
LTPA-P3030CNPTG	True Green	525	65	120	3.4	350	10	400	125	-40~100
LTPA-P3030ANPTB	Blue	470	30	120	3.2	350	10	500	125	-40~100
LTPA-P3030CWP57	Cool White	(0.325, 0.340)	140	120	3.2	350	10	400	125	-40~100
LTPA-P3030CBPPA	PC Amber	(0.570, 0.420)	100	120	3.2	350	10	400	125	-40~100

High Power LED_P35



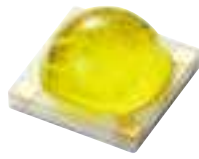
3.5 x 3.7 x 0.8 mm



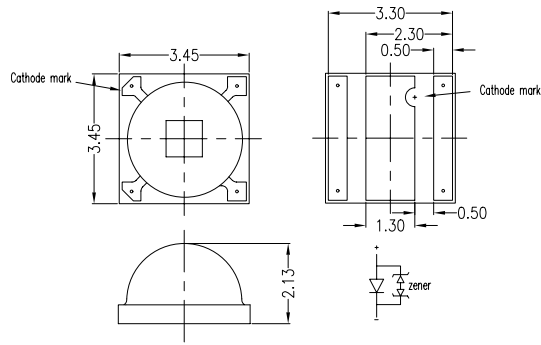
Part No.	Color	λ_d (nm)/ CIE(x,y)	Typ. Luminous Flux Φ_v (lm)	View Angle $2\theta_{1/2}$	Typ. Forward Voltage V_f (V)	Forward Current I_f (mA)	Thermal Resistance $R_{th}(j-s)$ (°C/W)	Max. Forward Current I_f (mA)	Max. Junction Temperature T_j (°C)	Operating Temperature Range(°C)
LTPA-P35PUDNPKE (Gold Plating)	Red	620	50	120	2.2	350	10	400	125	-40~100
LTPA-P3535CWP	Cool White	(0.325, 0.340)	160	120	3.2	350	10	500	125	-40~100
LTPA-P35PUCWP (Gold Plating)	Cool White	(0.325, 0.340)	110	120	3.2	350	10	500	125	-40~100
LTPA-P3535CBPPA	PC Amber	(0.570, 0.420)	140	120	3.2	350	10	500	125	-40~100
LTPA-P35PUCBPPA (Gold Plating)	PC Amber	(0.570, 0.420)	80	120	3.2	350	10	500	125	-40~100

Flash LED
SMD LED
Through Hole Lamp
LED Display
Automotive LED
Signage LED
Lighting LED
Infrared Emitter and Detector
Optical Sensors
Photocoupler
UV LED

High Power LED_C35

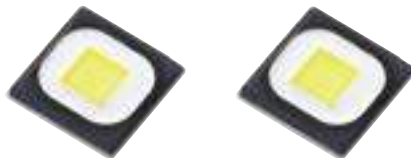


3.45 x 3.45 x 2.13 mm

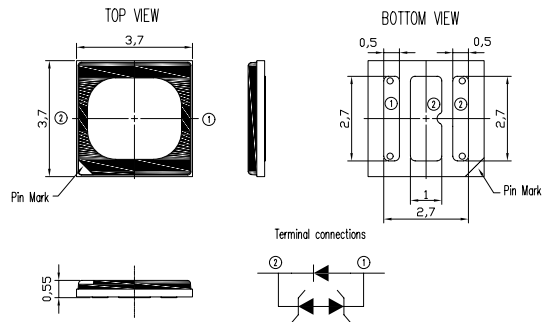


Part No.	Color	λ_d (nm)/ CIE(x,y)	Typ. Luminous Flux Φ_v (lm)	View Angle $2\theta_{1/2}$	Typ. Forward Voltage V_f (V)	Forward Current I_f (mA)	Thermal Resistance $R_{th}(j-s)$ (°C/W)	Max. Forward Current I_f (mA)	Max. Junction Temperature T_j (°C)	Operating Temperature Range(°C)
LTPA-C3535CNPKE	Red	624	65	130	2.2	350	15	500	125	-40~125
LTPA-C3535CNPTG	True Green	525	100	130	3.4	350	15	500	125	-40~125
LTPA-C3535ANPTB	Blue	470	45	130	3.2	350	15	500	125	-40~125
LTPA-C3535AWP	Cool White	(0.325, 0.340)	140	118	3.2	350	9.5	700	125	-40~125
LTPA-C3535BWP57	Cool White	(0.325, 0.340)	130	118	3.2	350	15	500	125	-40~125
LTPA-C35NUAWP	Cool White	(0.325, 0.340)	120	118	3.2	350	9.5	700	125	-40~125
LTPA-C3535BBPPA	PC Amber	(0.570, 0.420)	110	118	3.2	350	15	500	125	-40~125
LTPA-C35NUBBPPA	PC Amber	(0.570, 0.420)	85	118	3.2	350	15	500	125	-40~125

High Power LED_S38



3.75 x 3.75 x 0.55 mm



Part No.	Color	CIE(x,y)	Typ. Luminous Flux Φ_v (lm)	View Angle $2\theta_{1/2}$	Typ. Forward Voltage V_f (V)	Forward Current I_f (mA)	Thermal Resistance $R_{th}(j-s)$ (°C/W)	Max. Forward Current I_f (mA)	Max. Junction Temperature T_j (°C)	Operating Temperature Range(°C)
▶ LTPA-S38FUMWE	Cool White	(0.325, 0.340)	240	120	3.0	700	5.5	1200	150	-40~125
▶ LTPA-S38FUMBPPA	PC Amber	(0.570, 0.420)	80	120	3.0	350	5.5	700	150	-40~125

▶ New

High Power LED_C1915



1.9 x 1.5 x 0.75 mm

Part No.	Correlated color temperature (K)	Typ. Luminous Flux Φ_v (lm)	View Angle $2\theta_{1/2}$	Typ. Forward Voltage V_f (V)	Forward Current I_f (mA)	Thermal Resistance $R_{th(j-s)}$ ($^{\circ}C/W$)	Max. Forward Current I_F (mA)	Max. Junction Temperature T_j ($^{\circ}C$)	Operating Temperature Range ($^{\circ}C$)
▶ LTPA-C1915	5600K	230	120	3.4	700	5	1200	150	-40~125

▶ Under Development

High Intensity Chip Array



3.1 x 3.8 x 0.75 mm



4.2 x 3.8 x 0.75 mm



5.3 x 3.8 x 0.75 mm



6.4 x 3.8 x 0.75 mm

Part No.	Correlated color temperature (K)	Typ. Luminous Flux Φ_v (lm)	View Angle $2\theta_{1/2}$	Typ. Forward Voltage V_f (V)	Forward Current I_f (mA)	Thermal Resistance $R_{th(j-s)}$ ($^{\circ}C/W$)	Max. Forward Current I_F (mA)	Max. Junction Temperature T_j ($^{\circ}C$)	Operating Temperature Range ($^{\circ}C$)
▶ LTPA-H2S3138	5600K	640	118	6.8	1000	1.6	1500	150	-40~125
▶ LTPA-H3S4238	5600K	960	118	10.2	1000	1.3	1500	150	-40~125
▶ LTPA-H4S5338	5600K	1280	118	13.6	1000	1.1	1500	150	-40~125
▶ LTPA-H5S6438	5600K	1600	118	17.0	1000	0.9	1500	150	-40~125

▶ Under Development

Flash LED

SMD LED

Through Hole Lamp

LED Display

Automotive LED

Signage LED

Lighting LED

Infrared Emitter and Detector

Optical Sensors

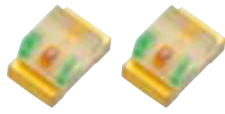
Photocoupler

UV LED

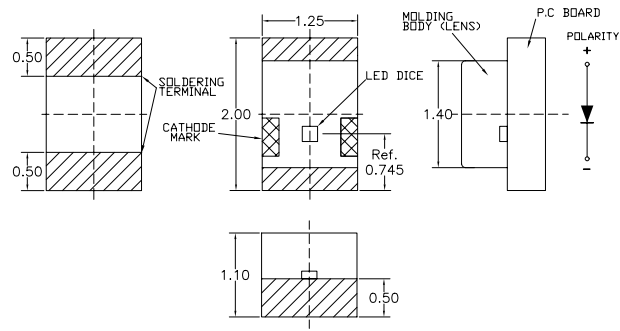


| Signage LED

Chip LED Single Color

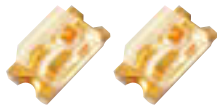


2.0 x 1.25 x 1.1 mm

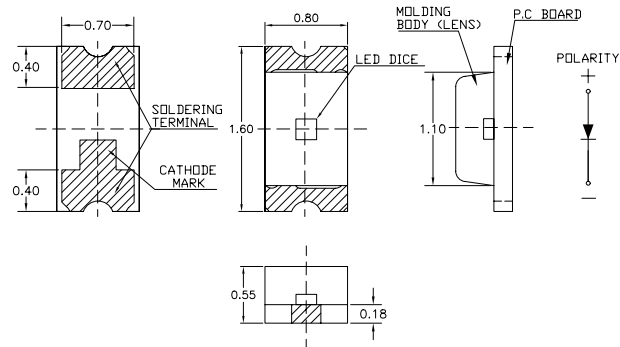


Part No.	Color	λ_d (nm)/ CIE (x,y)	Min. Luminous Intensity I_v (mcd)	Max. Luminous Intensity I_v (mcd)	View Angle $2\theta_{1/2}$	Typ. Forward Voltage V_f (V)	Forward Current I_f (mA)
LTSN-C170KSWT	Yellow	590	120	280	130	2	20
LTSN-C170DS	White	(0.31, 0.31)	280	710	130	3.3	20

Chip LED Single Color



1.6 x 0.8 x 0.55 mm



Part No.	Color	λ_d (nm)/ CIE (x,y)	Min. Luminous Intensity I_v (mcd)	Max. Luminous Intensity I_v (mcd)	View Angle $2\theta_{1/2}$	Typ. Forward Voltage V_f (V)	Forward Current I_f (mA)
LTSN-C191KSKT	Yellow	590	112	224	130	2	20
LTSN-C191DS	White	(0.31, 0.31)	355	900	130	3.3	20

Flash LED

SMD LED

Through Hole Lamp

LED Display

Automotive LED

Signage LED

Lighting LED

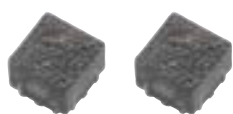
Infrared Emitter and
Detector

Optical Sensors

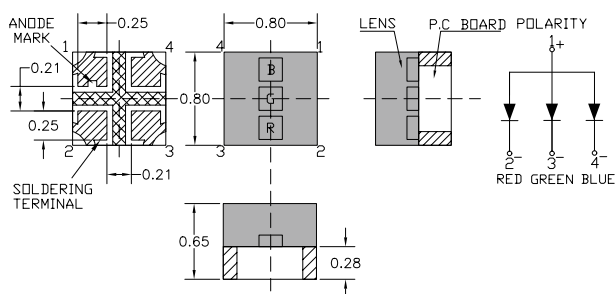
Photocoupler

UV LED

Chip LED Multi Color



0.8 x 0.8 x 0.65 mm

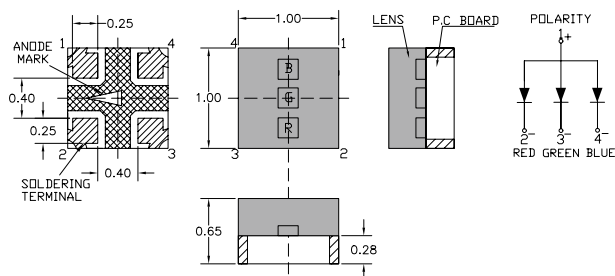


Part No.	Color	λ_d (nm)	Min. Luminous Intensity I_v (mcd)	Max. Luminous Intensity I_v (mcd)	View Angle $2\theta_{1/2}$	Typ. Forward Voltage V_f (V)	Forward Current I_f (mA)
LTSN-B68JEGBB6	■ Red	624	17.1	38.6	130	2	5
	■ True Green	525	80.2	180.5		3.3	
	■ Blue	470	9.5	32.2		3.3	

Chip LED Multi Color

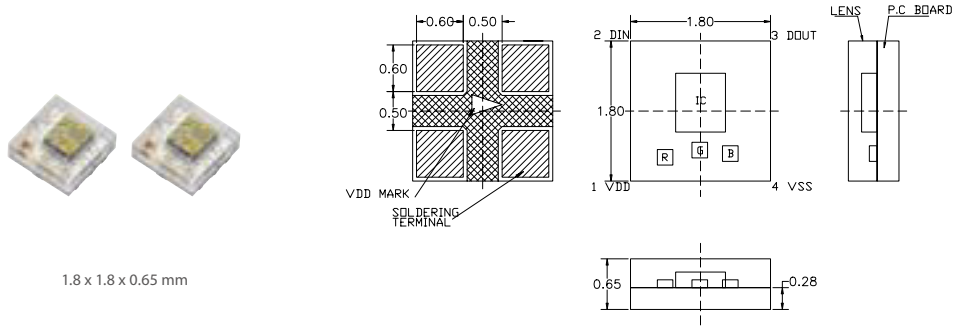


1.0 x 1.0 x 0.65 mm



Part No.	Color	λ_d (nm)	Min. Luminous Intensity I_v (mcd)	Max. Luminous Intensity I_v (mcd)	View Angle $2\theta_{1/2}$	Typ. Forward Voltage V_f (V)	Forward Current I_f (mA)
LTSN-B32JEGBB6	■ Red	624	16.4	45	130	2	5
	■ True Green	525	53.3	180		3.3	
	■ Blue	470	13	44		3.3	

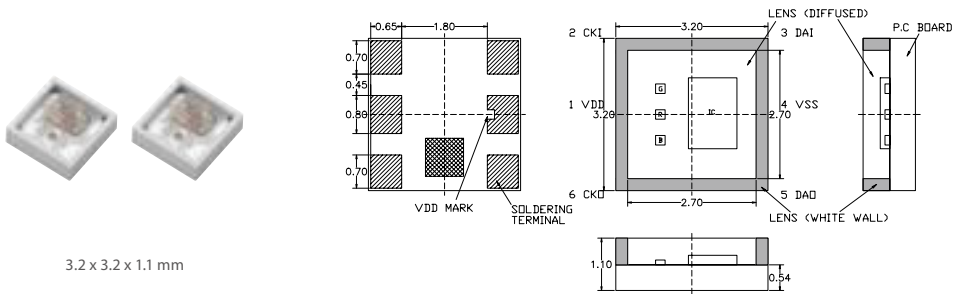
Chip LED Multi Color (IC Embedded)



1.8 x 1.8 x 0.65 mm

Part No.	Color	λ_d (nm)	Min. Luminous Intensity I_v (mcd)	Max. Luminous Intensity I_v (mcd)	View Angle $2\theta_{1/2}$	Typ. Forward Voltage V_f (V)	Forward Current I_f (mA)
LTSN-E263HEGBK	Red	624	280	1120	120	2	18
	True Green	525	180	710		3.3	
	Blue	470	71	280		3.3	

Chip LED Multi Color (IC Embedded)



3.2 x 3.2 x 1.1 mm

Part No.	Color	λ_d (nm)	Min. Luminous Intensity I_v (mcd)	Max. Luminous Intensity I_v (mcd)	View Angle $2\theta_{1/2}$	Typ. Forward Voltage V_f (V)	Forward Current I_f (mA)
LTSN-E363CEGBW	Red	624	165	675	120	2	14
	True Green	525	990	4000		3.3	
	Blue	470	142	580		3.3	

Flash LED

SMD LED

Through Hole Lamp

LED Display

Automotive LED

Signage LED

Lighting LED

Infrared Emitter and Detector

Optical Sensors

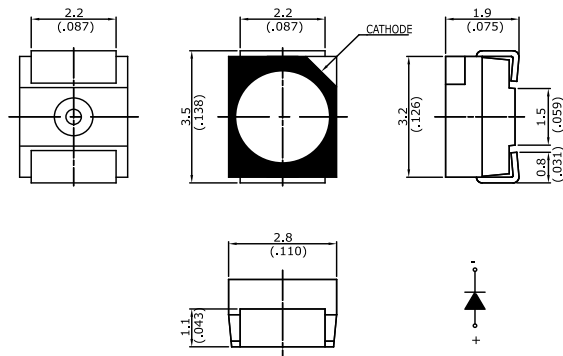
Photocoupler

UV LED

PLCC Single Color



3.5 x 2.8 x 1.9 mm

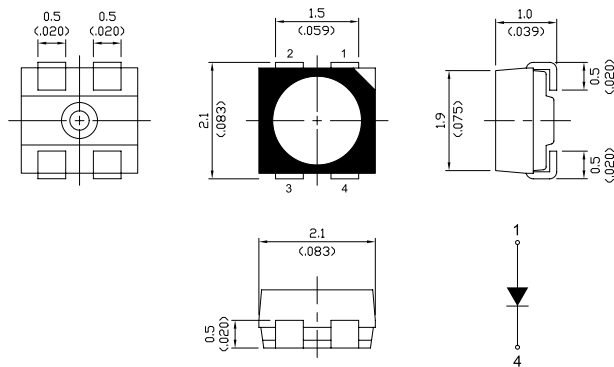


Part No.	Color	λ_d (nm)/ CIE (x,y)	Min. Luminous Intensity I_v (mcd)	Max. Luminous Intensity I_v (mcd)	View Angle $2\theta_{1/2}$	Typ. Forward Voltage V_f (V)	Forward Current I_f (mA)
LTST-B680VEKT	■ Red	624	710	1400	120	2	20
LTST-B680VSKT	■ Yellow	589	900	1800	120	2	20
LTST-B680UGKT	■ True Green	525	900	1800	120	3.2	20
LTST-B680UWET	 White	(0.31, 0.31)	1800	2800	120	3.2	20

PLCC Single Color



2.1 x 2.1 x 1.0 mm

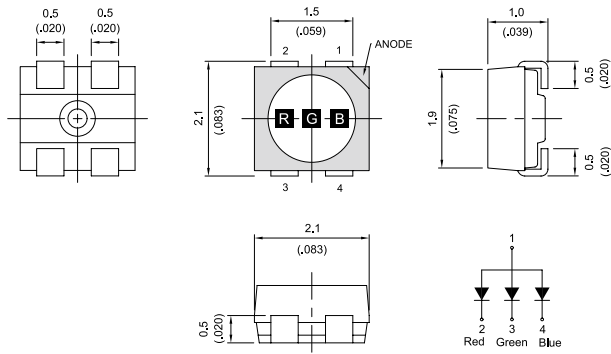


Part No.	Color	λ_d (nm)/ CIE (x,y)	Min. Luminous Intensity I_v (mcd)	Max. Luminous Intensity I_v (mcd)	View Angle $2\theta_{1/2}$	Typ. Forward Voltage V_f (V)	Forward Current I_f (mA)
LTSN-N211QSWT	■ Yellow	589	355	900	120	2	20
LTSN-N211VSWT	■ Yellow	589	710	1400	120	2	20
LTSN-N211UWET	 White	(0.31, 0.31)	1500	2900	120	3.2	20

PLCC Multi Color



2.1 x 2.1 x 1.0 mm

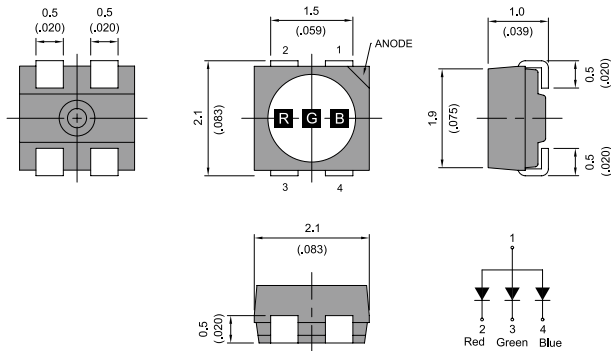


Part No.	Color	λ_d (nm)	Min. Luminous Intensity I_v (mcd)	Max. Luminous Intensity I_v (mcd)	View Angle $2\theta_{1/2}$	Typ. Forward Voltage V_f (V)	Forward Current I_f (mA)
LTSN-N213EGBW	Red	624	345	720	120	2	20
	True Green	525	280	570		3.2	5
	Blue	470	70	140		3.2	5

PLCC Multi Color



2.1 x 2.1 x 1.0 mm



Part No.	Color	λ_d (nm)	Min. Luminous Intensity I_v (mcd)	Max. Luminous Intensity I_v (mcd)	View Angle $2\theta_{1/2}$	Typ. Forward Voltage V_f (V)	Forward Current I_f (mA)
LTSN-H213EGBW	Red	624	39	104	120	2	5
	True Green	525	124	288		3.2	5
	Blue	470	22	59		3.2	5

Flash LED

SMD LED

Through Hole Lamp

LED Display

Automotive LED

Signage LED

Lighting LED

Infrared Emitter and Detector

Optical Sensors

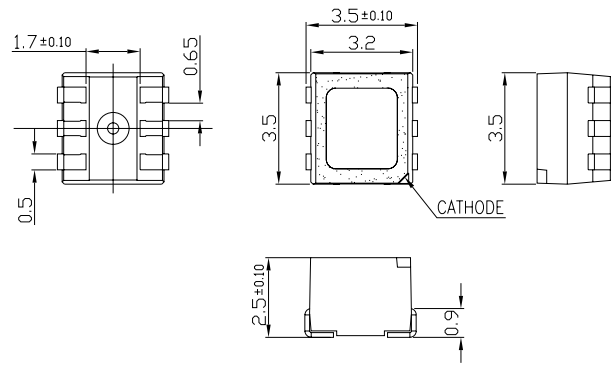
Photocoupler

UV LED

PLCC Multi Color



3.5 x 3.5 x 2.5 mm

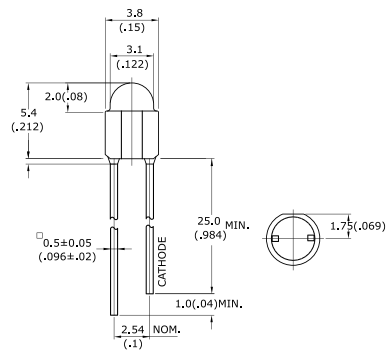


Part No.	Color	λ_d (nm)	Min. Luminous Intensity I_v (mcd)	Max. Luminous Intensity I_v (mcd)	View Angle $2\theta_{1/2}$	Typ. Forward Voltage V_f (V)	Forward Current I_f (mA)
LTSN-D353EGBW	■ Red	624	560	1120	120	2	20
	■ True Green	525	1120	2240		3.2	20
	■ Blue	470	280	560		3.2	20

Through Hole Lamp_3mm



3mm Round

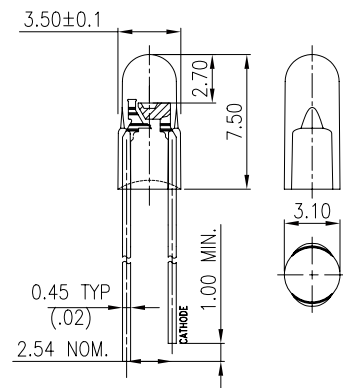


Part No.	Color	Resin Color	λ_d (nm)	Min. Luminous Intensity I _v (mcd)	Max. Luminous Intensity I _v (mcd)	View Angle 2 $\theta_{1/2}$	Typ. Forward Voltage V _F (V)
LTL17KET3KS	Red	Water Clear	624	2500	5500	30	2.1
LTL17KTGX3KS	True Green	Water Clear	525	5500	9300	30	3.2
LTL17KTBS3KS	Blue	Water Clear	470	1500	3200	30	3.2

Through Hole Lamp_3mm



3mm Round



Part No.	Color	Resin Color	λ_d (nm)	Min. Luminous Intensity I _v (mcd)	Max. Luminous Intensity I _v (mcd)	View Angle 2 $\theta_{1/2}$	Typ. Forward Voltage V _F (V)	Forward Current I _F (mA)
LTL1SHEW3KS	Red	Water Clear	625	4200	5000	30	2.1	20
LTL1SHER3D	Red	Red Diffused	624	1500	3200	30 (min.)	2.1	20
LTL1SHYW3KS	Yellow	Water Clear	590	4200	5000	30	2.1	20
LTL1SHTGV3DP	True Green	Green Diffused	525	7200	12000	35	3.2	20
LTL1SHTBN3DP	Blue	Water Clear	470	1500	2500	35	3.2	20

Flash LED

SMD LED

Through Hole Lamp

LED Display

Automotive LED

Signage LED

Lighting LED

Infrared Emitter and Detector

Optical Sensors

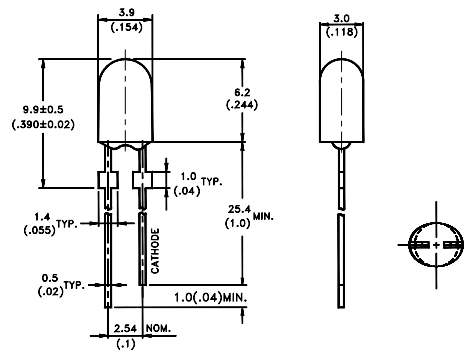
Photocoupler

UV LED

Through Hole Lamp_3mm



3mm Oval

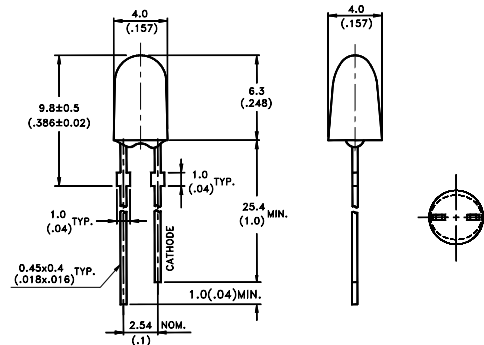


Part No.	Color	Resin Color	λ_d (nm)	Typ. Luminous Intensity I_v (mcd)	View Angle $2\theta_{1/2}$	Typ. Forward Voltage V_F (V)	Forward Current I_F (mA)
LTL3H3EPADS	■ Red	Red Diffused	624	1300	100/50	2.1	20
LTL3H3TGADS	■ True Green	Green Diffused	525	3600	100/50	3.2	20
LTL3H3BNADS	■ Blue	Blue Diffused	470	700	100/50	3.2	20

Through Hole Lamp_4mm

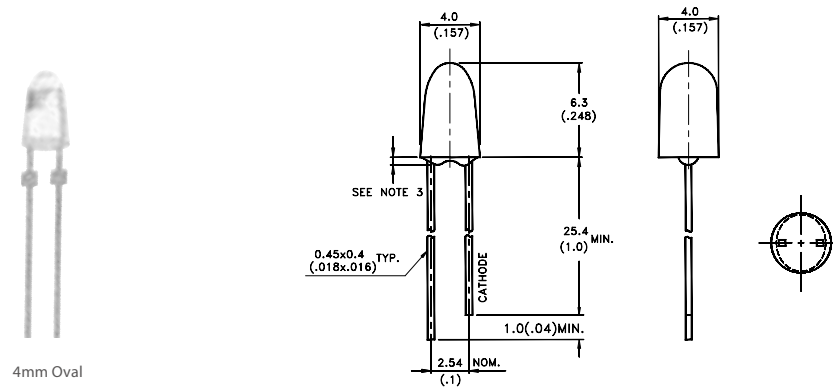


4mm Oval



Part No.	Color	Resin Color	λ_d (nm)/ CIE (x,y)	Min. Luminous Intensity I_v (mcd)	Max. Luminous Intensity I_v (mcd)	View Angle $2\theta_{1/2}$	Typ. Forward Voltage V_F (V)	Forward Current I_F (mA)
LTL4HMEPADS	■ Red	Red Diffused	624	520	1500	110/50	2.1	20
LTL4HMWSDS-A	■ Yellow	Yellow Diffused	590	680	1500	110/50	2.1	20
LTL4HMYSADS	■ Yellow	Yellow Diffused	590	950	2100	110/50	2.1	20
LTW4HMDVAJS	■ White	White Diffused	(0.32, 0.33)	3200	7200	100/50	2.1	20

Through Hole Lamp_4mm



Part No.	Color	Resin Color	λ_d (nm)/ CIE (x,y)	Min. Luminous Intensity I _v (mcd)	Max. Luminous Intensity I _v (mcd)	View Angle $2\theta_{1/2}$	Typ. Forward Voltage V _F (V)	Forward Current I _F (mA)
LTL4VMYS5D	Yellow	Yellow Diffused	590	950	2100	50/100	2.1	20
LTW4VMDV5JS	White	White Diffused	(0.3, 0.3)	2100	4200	50/100	3.2	20

Flash LED

SMD LED

Through Hole Lamp

LED Display

Automotive LED

Signage LED

Lighting LED

Infrared Emitter and
Detector

Optical Sensors

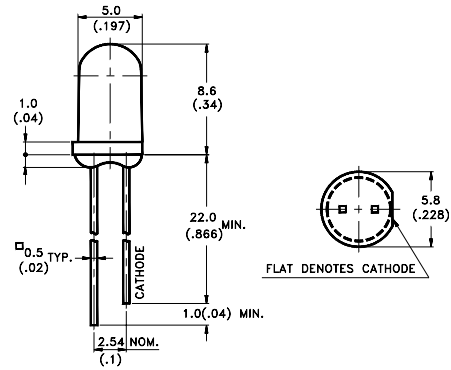
Photocoupler

UV LED

Through Hole Lamp_5mm



5mm Round

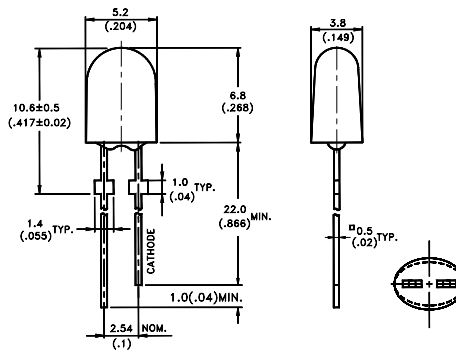


Part No.	Color	Resin Color	λ_d (nm)/ CIE (x,y)	Min. Luminous Intensity I_v (mcd)	Max. Luminous Intensity I_v (mcd)	View Angle $2\theta_{1/2}$	Typ. Forward Voltage V_F (V)	Forward Current I_F (mA)
LTL2H3E11K	■ Red	Water Clear	625	12000	16000	15	2.1	20
LTL2P3EX2K	■ Red	Water Clear	625	9300	12000	23	2.1	20
LTL2V3EY3KS	■ Red	Water Clear	625	7200	9300	30	2.1	20
LTL2V3EUJS	■ Red	White Diffused	625	2500	4200	36	2.1	20
LTL2R3FU3JSR	■ Amber	White Diffused	607	880	1900	30	1.9	10
LTL2H3Y11K	■ Yellow	Water Clear	590	7200	9300	15	2.1	20
LTL2P3YX2K	■ Yellow	Water Clear	590	9300	12000	23	2.1	20
LTL2R3YW3KS	■ Yellow	Water Clear	590	3800	4200	30	2.1	20
LTL2R3TGY3KS	■ True Green	Water Clear	525	7800	9600	30	3.2	20
LTL2H3TC21K	■ Cyan	Water Clear	505	15000	26000	15	3.2	20
LTL2P3TCY2K	■ Cyan	Water Clear	505	9300	12000	23	3.2	20
LTL2R3TCY3JS	■ Cyan	White Diffused	505	7200	9300	30	3.2	20
LTW2V3D13JS	□ White	White Diffused	(0.32, 0.33)	12000	27000	30	3.2	20
LTW-2S3D8-CY	□ White	Water Clear	(0.3, 0.3)	13000	29000	15	3.2	20

Through Hole Lamp_5mm



5mm Oval

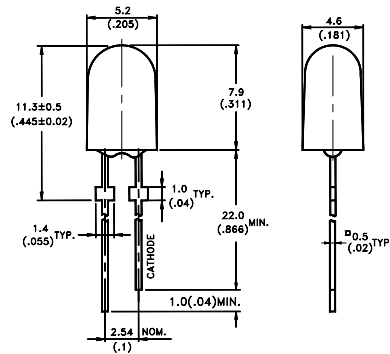


Part No.	Color	Resin Color	λ_d (nm)/ CIE (x,y)	Min. Luminous Intensity I _v (mcd)	Max. Luminous Intensity I _v (mcd)	View Angle $2\theta_{1/2}$	Typ. Forward Voltage V _F (V)	Forward Current I _F (mA)
LTL5H3TRDS	Red	Red Diffused	624	720	2040	110/45	2.1	20
LTL5H3TGDS	True Green	Green Diffused	525	2300	6300	110/45	3.1	20
LTL5H3TBDS	Blue	Blue Diffused	470	430	1210	110/45	3.2	20
LTW5H3DVAJS	White	White Diffused	(0.32, 0.33)	2500	5500	110/55	3.2	20

Through Hole Lamp_5mm



5mm Oval



Part No.	Color	Resin Color	λ_d (nm)/ CIE (x,y)	Min. Luminous Intensity I _v (mcd)	Max. Luminous Intensity I _v (mcd)	View Angle $2\theta_{1/2}$	Typ. Forward Voltage V _F (V)	Forward Current I _F (mA)
LTL5L3E57D	Red	Red Diffused	624	1900	5500	70/35	2.1	20
LTL5L3YU7DS	Yellow	Yellow Diffused	591	3200	9300	70/35	2.1	20
LTL5L3TGV7D	True Green	Green Diffused	530	4200	12000	70/35	3.2	20
LTW5L3DW7JS	White	White Diffused	(0.32, 0.33)	4200	9300	70/35	3.2	20

Flash LED

SMD LED

Through Hole Lamp

LED Display

Automotive LED

Signage LED

Lighting LED

Infrared Emitter and
Detector

Optical Sensors

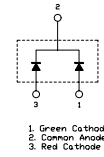
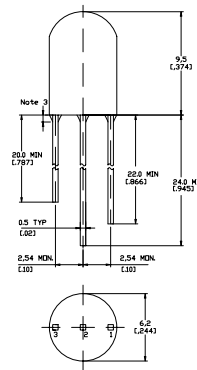
Photocoupler

UV LED

Through Hole Lamp_5mm_Dual Color



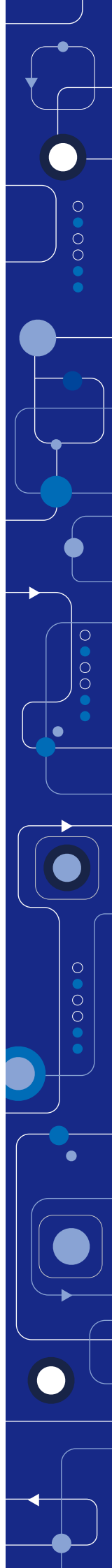
5mm Oval



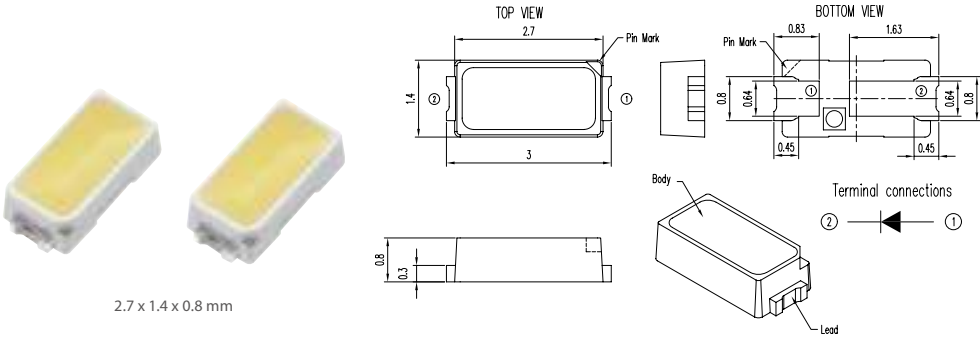
- 1. Green Cathode
- 2. Common Anode
- 3. Red Cathode

Part No.	Color	Resin Color	λ_d (nm)	Min. Luminous Intensity I _v (mcd)	Max. Luminous Intensity I _v (mcd)	View Angle $2\theta_{1/2}$	Typ. Forward Voltage V _F (V)	Forward Current I _F (mA)
LTL30SETG3J	■ Red	White Diffused	630	2500	7200	30	2.1	20
	■ True Green		525	520	1500		3.2	

| Lighting LED

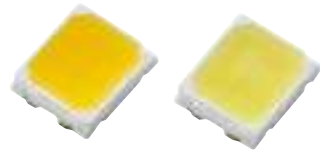


Middle Power

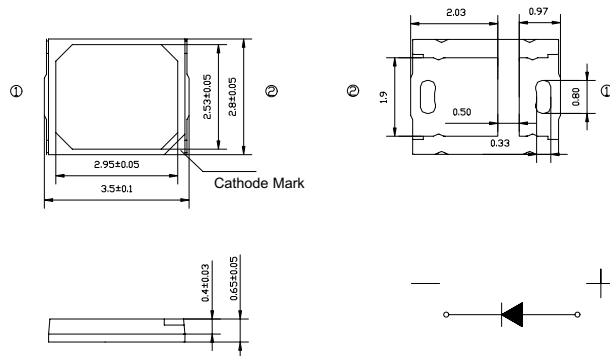


Part No.	Correlated color temperature (K)	CRI Ra (min.)	Typ. Luminous Flux Φ_v (lm)	View Angle $2\theta_{1/2}$	Typ. Forward Voltage V_f (V)	Forward Current I_f (mA)	Thermal Resistance $R_{th(j-s)}$ (°C/W)
LTW-K140SZR27-EU	2700	80	23.5	120	3.2	60	30
LTW-K140SZR30-EU	3000	80	25	120	3.2	60	30
LTW-K140SZR40-EU	4000	80	26	120	3.2	60	30
LTW-K140SZR50-EU	5000	80	26.5	120	3.2	60	30
LTW-K140SZR57-EU	5700	80	26	120	3.2	60	30
LTW-K140SZR65-EU	6500	80	26	120	3.2	60	30
LTW-K140SXR85	8500	-	23	120	3.2	60	30

Middle Power



2.8 x 3.5 x 0.65 mm



Part No.	Correlated color temperature (K)	CRI Ra (min.)	Typ. Luminous Flux Φ_v (lm)	View Angle $2\theta_{1/2}$	Typ. Forward Voltage V_f (V)	Forward Current I_f (mA)	Thermal Resistance $R_{th(j-s)}$ ($^{\circ}C/W$)
LTW-2835SZK27	2700	80	24.4	120	3.0	60	35
LTW-2835AZH27	2700	80	31	120	2.8	65	16
LTW-2835AZI27	2700	80	31	120	2.7	65	8
LTW-2835TZN27	2700	80	115	120	9.1	100	15
LTW-2835AZL27	2700	80	61.4	120	3.1	150	21
LTW-2835SZK30	3000	80	26	120	3.0	60	35
LTW-2835AZH30	3000	80	31.5	120	2.8	65	16
LTW-2835AZI30	3000	80	31.5	120	2.7	65	8
LTW-2835TZN30	3000	80	118	120	9.1	100	15
LTW-2835AZL30	3000	80	62.9	120	3.1	150	21
LTW-2835SZK40	4000	80	27.5	120	3.0	60	35
LTW-2835AZH40	4000	80	33	120	2.8	65	16
LTW-2835AZI40	4000	80	33	120	2.7	65	8
LTW-2835TZN40	4000	80	125	120	9.1	100	15
LTW-2835AZL40	4000	80	65.3	120	3.1	150	21
LTW-2835SZK50	5000	80	28	120	3.0	60	35
LTW-2835AZH50	5000	80	34	120	2.8	65	16
LTW-2835AZI50	5000	80	34	120	2.7	65	8
LTW-2835TZN50	5000	80	128	120	9.1	100	15
LTW-2835AZL50	5000	80	67.0	120	3.1	150	21
LTW-2835SZK57	5700	80	28	120	3.0	60	35
LTW-2835AZH57	5700	80	33.5	120	2.8	65	16
LTW-2835AZI57	5700	80	33.5	120	2.7	65	8
LTW-2835TZN57	5700	80	128	120	9.1	100	15
LTW-2835AZL57	5700	80	67.0	120	3.1	150	21
LTW-2835SZK65	6500	80	27.5	120	3.0	60	35
LTW-2835AZH65	6500	80	33	120	2.8	65	16
LTW-2835AZI65	6500	80	33	120	2.7	65	8
LTW-2835TZN65	6500	80	125	120	9.1	100	15
LTW-2835AZL65	6500	80	65.3	120	3.1	150	21

Flash LED

SMD LED

Through Hole Lamp

LED Display

Automotive LED

Signage LED

Lighting LED

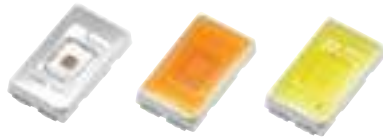
Infrared Emitter and Detector

Optical Sensors

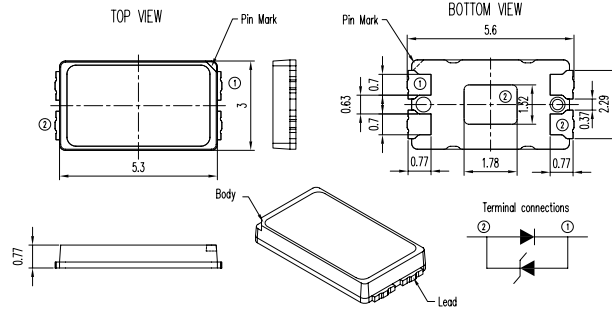
Photocoupler

UV LED

Middle Power

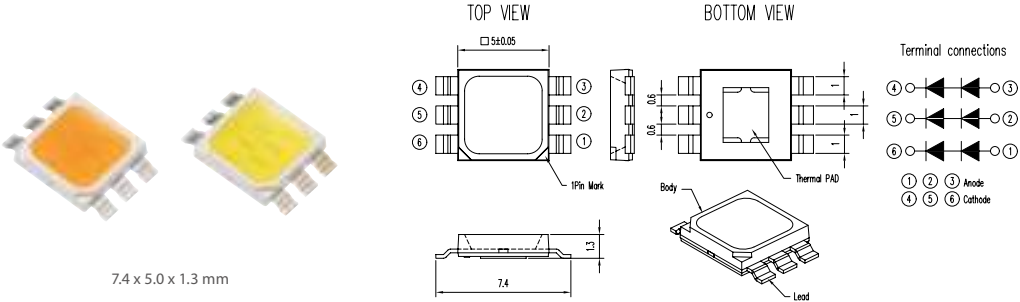


5.6 x 3.0 x 0.9 mm



Part No.	Correlated color temperature (K)	CRI Ra (min.)	λ_d (nm)	λ_p (nm)	Typ. Luminous Flux Φ_v (lm)	Typ. Radiant Flux (mW)	View Angle $2\theta_{1/2}$	Typ. Forward Voltage V_F (V)	Forward Current I_F (mA)	Thermal Resistance $R_{th(j-s)}$ ($^{\circ}C/W$)
LTW-5630AZL27-EUH	2700	80	-	-	30.3	-	120	2.8	65	13
LTW-5630AQL27	2700	90	-	-	44.5	-	120	3.0	120	13
LTW-5630AZL30-EUH	3000	80	-	-	32.2	-	120	2.8	65	13
LTW-5630AQL30	3000	90	-	-	47.2	-	120	3.0	120	13
LTW-5630AZL40-EUH	4000	80	-	-	33.1	-	120	2.8	65	13
LTW-5630AQL40	4000	90	-	-	48.0	-	120	3.0	120	13
LTW-5630AZL50-EUH	5000	80	-	-	33.8	-	120	2.8	65	13
LTW-5630AQL50	5000	90	-	-	49.0	-	120	3.0	120	13
LTW-5630AZL57-EUH	5700	80	-	-	33.7	-	120	2.8	65	13
LTW-5630AQL57	5700	90	-	-	48.0	-	120	3.0	120	13
LTW-5630AZL65-EUH	6500	80	-	-	33.2	-	120	2.8	65	13
LTW-5630AQL65	6500	90	-	-	47.2	-	120	3.0	120	13
LTW-5630SD458	-	-	458	-	9	250	120	3.1	150	13
LTW-5630SD470	-	-	470	-	13.7	170	120	3.1	150	13
LTW-5630SD530	-	-	530	-	37	71.6	120	3.2	150	13
LTW-5630SD590	-	-	590	-	26	53	120	2.5	150	13
LTW-5630SD630	-	-	630	-	16	100	120	2.4	150	13
LTW-5630SP660	-	-	-	660	8.2	127	120	2.2	150	13
LTW-5630SP730	-	-	-	730	-	160	120	2.0	150	13
LTW-5630SP750	-	-	-	750	-	82	120	2.0	150	13

Middle Power

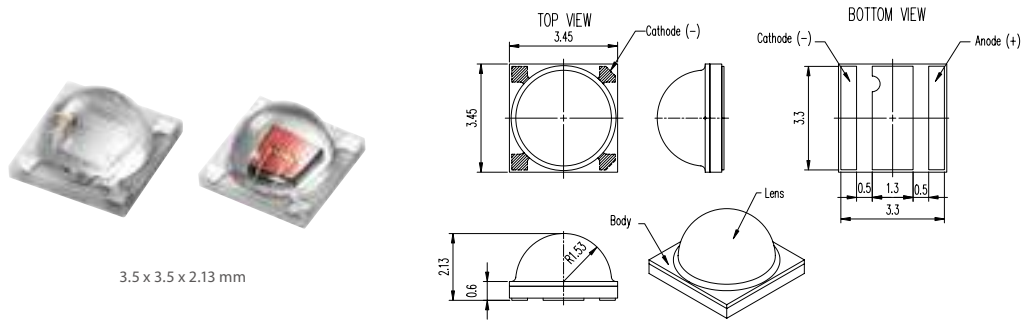


7.4 x 5.0 x 1.3 mm

Part No.	Correlated color temperature (K)	CRI Ra (min.)	Typ. Luminous Flux Φ_v (lm)	View Angle $2\theta_{1/2}$	Typ. Forward Voltage V_f (V)	Forward Current I_f (mA)	Thermal Resistance $R_{th(j-s)}$ ($^{\circ}C/W$)
LTPL-P033BS50	5000	70	193	120	5.6	180	2.6
LTPL-P033BS40	4000	70	192	120	5.6	180	2.6
LTPL-P033BS30	3000	70	187	120	5.6	180	2.6

- Flash LED
- SMD LED
- Through Hole Lamp
- LED Display
- Automotive LED
- Signage LED
- Lighting LED**
- Infrared Emitter and Detector
- Optical Sensors
- Photocoupler
- UV LED

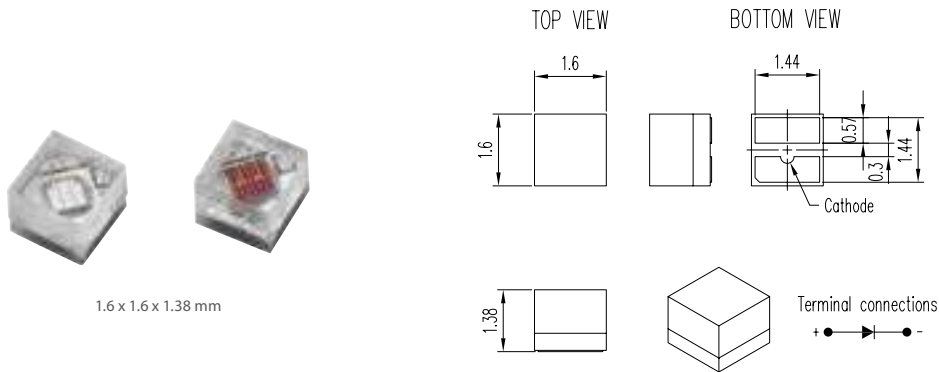
High Power



3.5 x 3.5 x 2.13 mm

Part No.	Color	λ_c (nm)	λ_p (nm)	Min. Luminous Flux Φ_v (lm)	Max. Luminous Flux Φ_v (lm)	Min. Radiant Flux (mW)	Max. Radiant Flux (mW)	View Angle $2\theta_{1/2}$	Typ. Forward Voltage V_f (V)	Forward Current I_f (mA)	Thermal Resistance $R_{th}(j-s)$ ($^{\circ}C/W$)
LTPL-C035RH630	Red	630	-	42	72	-	-	130	2.4	350	4.4
LTPL-C035RN615	Orange Red	615	-	24	36	-	-	130	2.3	140	13.3
LTPL-C035GH530	True Green	530	-	90	150	-	-	130	3	350	9
LTPL-C035GH500	Cyan	500	-	61	100	-	-	130	3.2	350	9
LTPL-C035BH470	Blue	470	-	-	-	420	600	130	3.1	350	9.5
LTPL-C035BH450	Blue	450	-	-	-	510	690	130	3.3	350	9.5
LTPL-C035RH660	-	-	660	-	-	360	480	130	2.1	350	4.1
LTPL-C035RH730	-	-	730	-	-	230	310	130	2	350	5.6

High Power



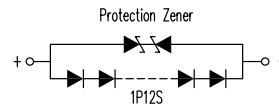
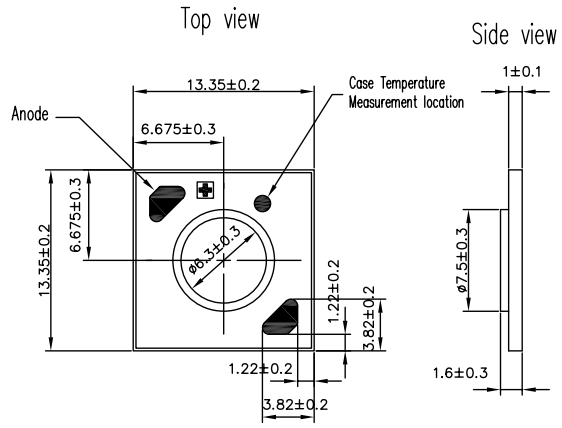
1.6 x 1.6 x 1.38 mm

Part No.	Color	λ_c (nm)	λ_p (nm)	Min. Luminous Flux Φ_v (lm)	Max. Luminous Flux Φ_v (lm)	Min. Radiant Flux (mW)	Max. Radiant Flux (mW)	View Angle $2\theta_{1/2}$	Typ. Forward Voltage V_f (V)	Forward Current I_f (mA)	Thermal Resistance $R_{th}(j-s)$ ($^{\circ}C/W$)
LTPL-C16FRD630	Red	630	-	36	56	-	-	135	2.2	350	7.3
LTPL-C16FGH530	True Green	530	-	110	160	-	-	135	3	500	9.6
LTPL-C16FBD470	Blue	470	-	22	32	-	-	135	3.2	350	5.5
LTPL-C16FRD660	-	-	660	-	-	220	320	135	2.1	350	5.8
LTPL-C16FRM780	-	-	780	-	-	27	39	135	1.9	50	33.3

Ceramic COB



13.35 x 13.35 x 1.6 mm



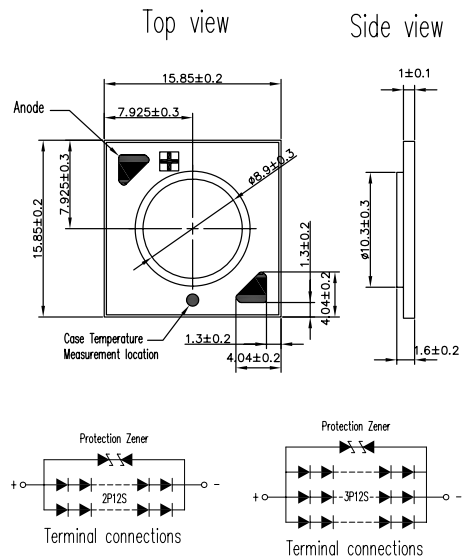
Terminal connections

Part No.	Correlated color temperature (K)	CRI Ra min.	LES (mm)	Min. Luminous Flux Φ_v (lm)	Max. Luminous Flux Φ_v (lm)	View Angle $2\theta_{1/2}$	Typ. Forward Voltage V_f (V)	Forward Current I_f (mA)	Thermal Resistance $R_{th(j-s)}$ ($^{\circ}C/W$)
LTPL-M13706ZS27-T0	2700	80	6.3	395	580	120	35.7	100	4.00
LTPL-M13710ZS27-T0	2700	80	6.3	730	1070	120	35.7	200	2.50
LTPL-M13712ZS27-T0	2700	80	6.3	730	1070	120	35.7	200	2.50
LTPL-M13706ZS30-T0	3000	80	6.3	395	580	120	35.7	100	4.00
LTPL-M13710ZS30-T0	3000	80	6.3	730	1070	120	35.7	200	2.50
LTPL-M13712ZS30-T0	3000	80	6.3	790	1140	120	35.7	200	2.50
LTPL-M13706ZS40-T0	4000	80	6.3	425	625	120	35.7	100	4.00
LTPL-M13710ZS40-T0	4000	80	6.3	790	850	120	35.7	200	2.50
LTPL-M13712ZS40-T0	4000	80	6.3	790	1155	120	35.7	200	2.50
LTPL-M13706ZS50-F1	5000	80	6.3	425	625	120	35.7	100	4.00
LTPL-M13710ZS50-F1	5000	80	6.3	790	850	120	35.7	200	2.50
LTPL-M13712ZS50-F1	5000	80	6.3	190	1155	120	35.7	200	2.50

Ceramic COB



15.85 x 15.85 x 1.6 mm



Part No.	Correlated color temperature (K)	CRI Ra min.	LES (mm)	Min. Luminous Flux Φ_v (lm)	Max. Luminous Flux Φ_v (lm)	View Angle $2\theta_{1/2}$	Typ. Forward Voltage V_f (V)	Forward Current I_f (mA)	Thermal Resistance $R_{th(j-s)}$ ($^{\circ}C/W$)
LTPL-M03614ZS27-T0	2700	80	8.9	1345	1975	120	36.9	350	1.70
LTPL-M03622ZS30-T0	2700	80	8.9	1975	2890	120	36.9	500	1.20
LTPL-M03614ZS30-T0	3000	80	8.9	1345	1975	120	36.9	350	1.70
LTPL-M03622ZS30-T0	3000	80	8.9	1975	2890	120	36.9	500	1.20
LTPL-M03614ZS40-T0	4000	80	8.9	1455	2130	120	36.9	350	1.70
LTPL-M03622ZS30-T0	4000	80	8.9	2130	3120	120	36.9	500	1.20

Flash LED

SMD LED

Through Hole Lamp

LED Display

Automotive LED

Signage LED

Lighting LED

Infrared Emitter and Detector

Optical Sensors

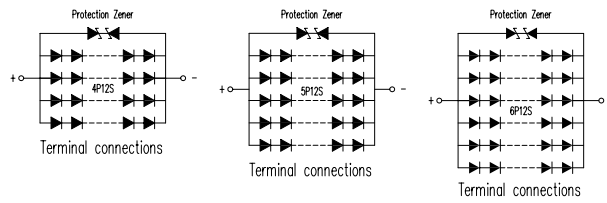
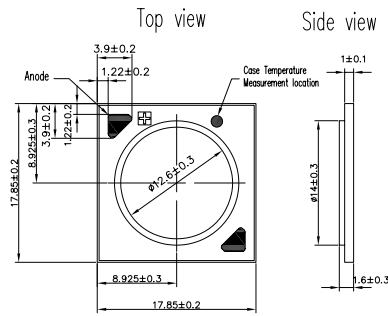
Photocoupler

UV LED

Ceramic COB



17.85 x 17.85 x 1.6 mm

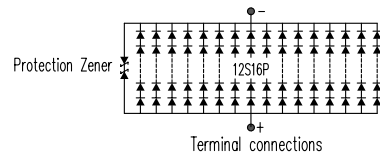
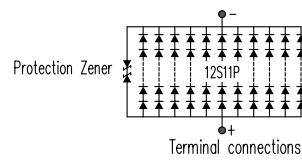
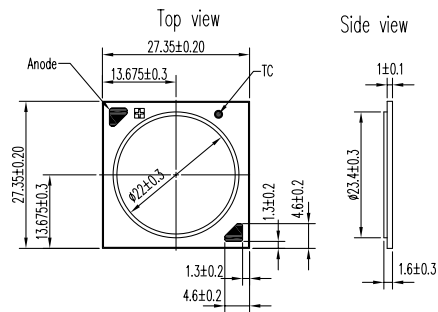


Part No.	Correlated color temperature (K)	CRI Ra min.	LES (mm)	Min. Luminous Flux Φ_v (lm)	Max. Luminous Flux Φ_v (lm)	View Angle $2\theta_{1/2}$	Typ. Forward Voltage V_f (V)	Forward Current I_f (mA)	Thermal Resistance $R_{th(j-s)}$ ($^{\circ}C/W$)
LTPL-M09825ZS30-T0	3000	80	12.6	2890	3925	120	37.1	700	1.24
LTPL-M09825QS30-T0	3000	90	12.6	2300	3120	120	37.1	700	1.24
LTPL-M09830ZS30-T0	3000	80	12.6	3370	4940	120	36.1	800	0.76
LTPL-M09830QS30-T0	3000	90	12.6	2890	3925	120	36.1	800	0.76
LTPL-M09825ZS40-T0	4000	80	12.6	2890	3925	120	37.1	700	1.24
LTPL-M09830ZS40-T0	4000	80	12.6	3370	4940	120	36.1	800	0.76
LTPL-M09825ZS50-F1	5000	80	12.6	3120	4204	120	37.1	700	1.24
LTPL-M09830ZS50-F1	5000	80	12.6	3640	5330	120	36.1	800	0.76

Ceramic COB



27.35 x 27.35 x 1.6 mm



Part No.	Correlated color temperature (K)	CRI Ra min.	LES (mm)	Min. Luminous Flux Φv (lm)	Max. Luminous Flux Φv (lm)	View Angle 2θ _{1/2}	Typ. Forward Voltage V _F (V)	Forward Current I _F (mA)	Thermal Resistance R _{th(j-s)} (°C/W)
LTPL-M07452ZS30-T0	3000	80	22	6210	9100	120	35.9	1400	0.32
LTPL-M07480ZS30-T0	3000	80	22	8430	12350	120	35.9	2050	0.24
LTPL-M07452ZS57-T0	5700	80	22	6700	9820	120	35.9	1400	0.32
LTPL-M07480ZS57-T0	5700	80	22	9100	13330	120	35.9	2050	0.24
LTPL-M07452ZS65-T0	6500	80	22	6700	9820	120	35.9	1400	0.32
LTPL-M07480ZS65-T0	6500	80	22	9100	13330	120	35.9	2050	0.24

Flash LED

SMD LED

Through Hole Lamp

LED Display

Automotive LED

Signage LED

Lighting LED

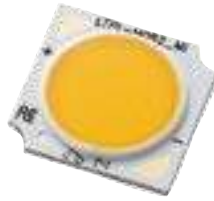
Infrared Emitter and Detector

Optical Sensors

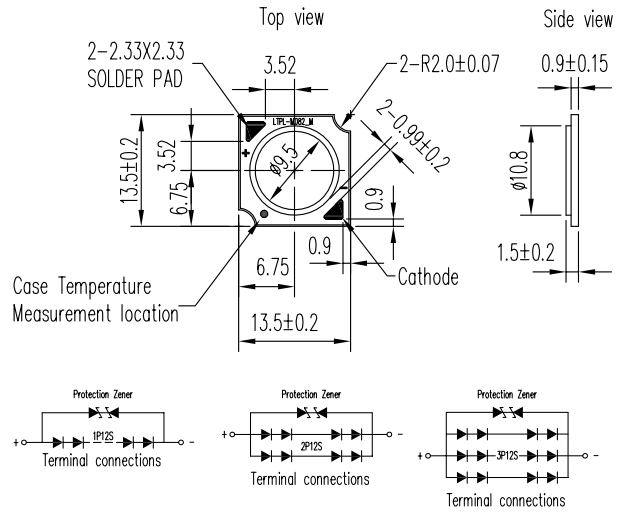
Photocoupler

UV LED

MCPCB COB



17.85 x 17.85 x 1.6 mm

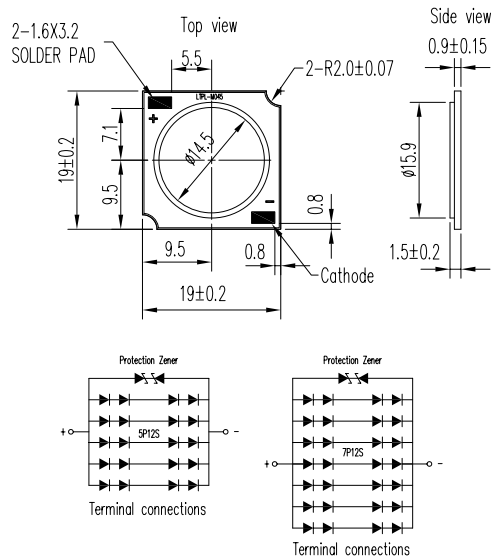


Part No.	Correlated color temperature (K)	CRI Ra min.	LES (mm)	Min. Luminous Flux Φ _v (lm)	Max. Luminous Flux Φ _v (lm)	View Angle 2θ _{1/2}	Typ. Forward Voltage V _F (V)	Forward Current I _F (mA)	Thermal Resistance R _{th(j-s)} (°C/W)
LTPL-M08206ZS27-T0	2700	80	9.5	535	730	120	36.5	120	2.04
LTPL-M08210ZS27-T0	2700	80	9.5	990	1345	120	36.5	240	1.20
LTPL-M08218ZS27-T0	2700	80	9.5	1455	1975	120	36.5	360	0.90
LTPL-M08206ZS30-T0	3000	80	9.5	535	730	120	36.5	120	2.04
LTPL-M08206QS30-T0	3000	90	9.5	460	625	120	36.5	120	2.04
LTPL-M08210ZS30-T0	3000	80	9.5	990	1345	120	36.5	240	1.20
LTPL-M08210QS30-T0	3000	90	9.5	850	1155	120	36.5	240	1.20
LTPL-M08218ZS30-T0	3000	80	9.5	1570	2130	120	36.5	360	0.90
LTPL-M08218QS30-T0	3000	90	9.5	1245	1695	120	36.5	360	0.90
LTPL-M08206ZS40-T0	4000	80	9.5	580	790	120	36.5	120	2.04
LTPL-M08210ZS40-T0	4000	80	9.5	1070	1455	120	36.5	240	1.20
LTPL-M08218ZS40-T0	4000	80	9.5	1570	2130	120	36.5	360	0.90

MCPCB COB



19 x 19 x 1.5 mm



Part No.	Correlated color temperature (K)	CRI Ra min.	LES (mm)	Min. Luminous Flux Φ_v (lm)	Max. Luminous Flux Φ_v (lm)	View Angle $2\theta_{1/2}$	Typ. Forward Voltage V_f (V)	Forward Current I_f (mA)	Thermal Resistance $R_{th(j-s)}$ ($^{\circ}C/W$)
LTPL-M04520ZS27-T0	2700	80	14.5	2300	3120	120	35.5	480	0.44
LTPL-M04530ZS27-T0	2700	80	14.5	3370	4575	120	35.8	720	0.37
LTPL-M04520ZS30-T0	3000	80	14.5	2485	3370	120	35.5	480	0.44
LTPL-M04520QS30-T0	3000	90	14.5	1830	2485	120	35.5	480	0.44
LTPL-M04530ZS30-T0	3000	80	14.5	3640	4940	120	35.8	720	0.37
LTPL-M04530QS30-T0	3000	90	14.5	2980	3925	120	35.8	720	0.37
LTPL-M04520ZS40-T0	4000	80	14.5	2485	3370	120	35.5	480	0.44
LTPL-M04530ZS40-T0	4000	80	14.5	3640	4940	120	35.8	720	0.37

Flash LED

SMD LED

Through Hole Lamp

LED Display

Automotive LED

Signage LED

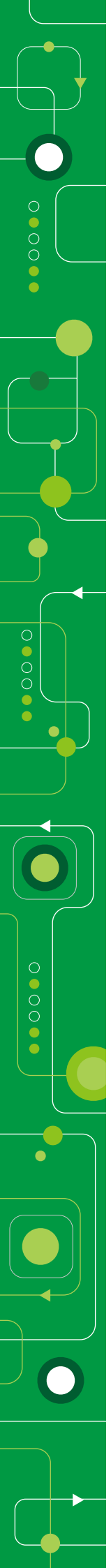
Lighting LED

Infrared Emitter and Detector

Optical Sensors

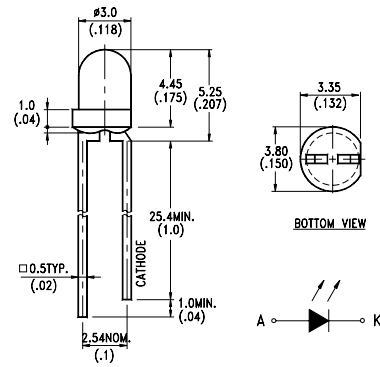
Photocoupler

UV LED



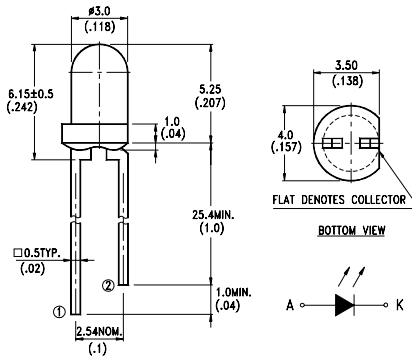
Infrared Emitter and Detector

IR Emitter_3mm Through Hole Type



Part No.	λ_p (nm)	Lens Color	Viewing Angle $2\theta_{1/2}$	Typ.Radiation Intensity I_e (mW/sr)	Typ.Forward Voltage V_f (V)
LTE-1650	940	Water Clear	60	3.4 @ $I_f=20$ mA	1.2@ $I_f=50$ mA
LTE-18G3N	940	Water Clear	20	18.0 @ $I_f=20$ mA	1.5 @ $I_f=20$ mA

IR Emitter_3mm Through Hole Type



Part No.	λ_p (nm)	Lens Color	Viewing Angle $2\theta_{1/2}$	Typ.Radiation Intensity I_e (mW/sr)	Typ.Forward Voltage V_f (V)
LTE-4206	940	Water Clear	20	5.3 @ $I_f=20$ mA	1.2 @ $I_f=20$ mA
LTE-4206C	940	Smoke	20	5.3 @ $I_f=20$ mA	1.2 @ $I_f=20$ mA
LTE-4209	850	Water Clear	25	33 @ $I_f=50$ mA	1.5 @ $I_f=50$ mA
LTE-16K3L	940	Water Clear	55	7.4 @ $I_f=20$ mA	1.5 @ $I_f=20$ mA

Flash LED

SMD LED

Through Hole Lamp

LED Display

Automotive LED

Signage LED

Lighting LED

Infrared Emitter and Detector

Optical Sensors

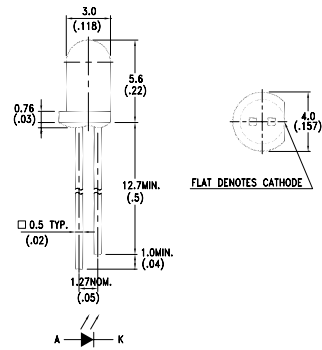
Photocoupler

UV LED

IR Emitter_3mm Through Hole Type



T1 Top View, 3mm

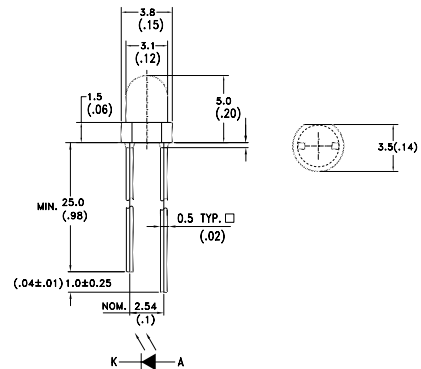


Part No.	λ_p (nm)	Lens Color	Viewing Angle $2\theta_{1/2}$	Typ.Radiation Intensity I_e (mW/sr)	Typ.Forward Voltage V_f (V)	Forward Current I_f (mA)
LTE-209	940	Water Clear	16	1.4	1.2	20

IR Emitter_3mm Through Hole Type

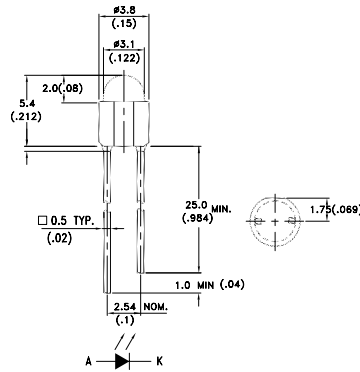


T1 Top View, 3mm



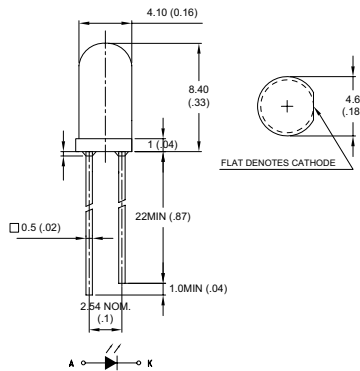
Part No.	λ_p (nm)	Lens Color	Viewing Angle $2\theta_{1/2}$	Typ.Radiation Intensity I_e (mW/sr)	Typ.Forward Voltage V_f (V)	Forward Current I_f (mA)
LTE-14H0B	850	Black	40	36.0	1.6	50

IR Emitter_3mm Through Hole Type



Part No.	λ_p (nm)	Lens Color	Viewing Angle $2\theta_{1/2}$	Typ.Radiation Intensity I_e (mW/sr)	Typ.Forward Voltage V_f (V)	Forward Current I_f (mA)
LTE-16H0B	850	Black	60	26.0	1.6	50

IR Emitter_3mm Through Hole Type



Part No.	λ_p (nm)	Lens Color	Viewing Angle $2\theta_{1/2}$	Typ.Radiation Intensity I_e (mW/sr)	Typ.Forward Voltage V_f (V)	Forward Current I_f (mA)
LTE-18H0B	850	Black	50	30.0	1.6	50

Flash LED

SMD LED

Through Hole Lamp

LED Display

Automotive LED

Signage LED

Lighting LED

Infrared Emitter and Detector

Optical Sensors

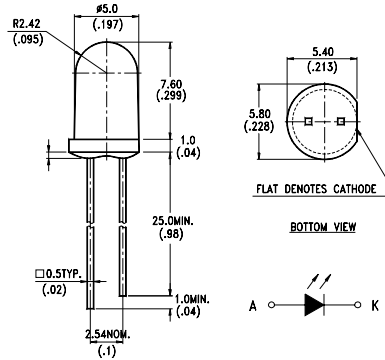
Photocoupler

UV LED

IR Emitter_5mm Through Hole Type



T1 3/4 Top View, 5mm

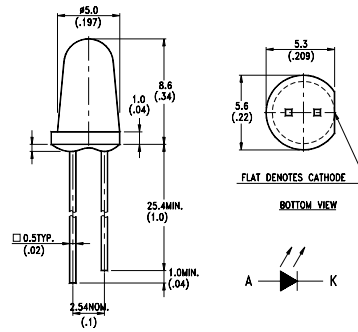


Part No.	λ_p (nm)	Lens Color	Viewing Angle $2\theta_{1/2}$	Typ.Radiation Intensity I_e (mW/sr)	Typ.Forward Voltage V_f (V)
LTE-3279K	940	Light Blue	60	50.0 @ $I_f=100$ mA	1.4 @ $I_f=100$ mA
LTE-3271B	940	Water Clear	50	9.0 @ $I_f=20$ mA	1.3 @ $I_f=50$ mA
LTE-3271BL	940	Blue	50	9.0 @ $I_f=20$ mA	1.3 @ $I_f=50$ mA
LTE-3371T	940	Water Clear	40	10.5 @ $I_f=20$ mA	1.3 @ $I_f=50$ mA
LTE-5228A	940	Water Clear	40	10.5 @ $I_f=20$ mA	1.2 @ $I_f=20$ mA
LTE-3223L	940	Water Clear	30	15.0 @ $I_f=20$ mA	1.3 @ $I_f=50$ mA
LTE-3273L	940	Water Clear	40	8.0 @ $I_f=20$ mA	1.3 @ $I_f=50$ mA
LTE-3273DL	940	Blue	45	8.0 @ $I_f=20$ mA	1.3 @ $I_f=50$ mA
LTE-32B3L	940	Water Clear	50	8.5 @ $I_f=20$ mA	1.2 @ $I_f=20$ mA
LTE-4208	940	Water Clear	20	22.2 @ $I_f=20$ mA	1.2 @ $I_f=20$ mA
LTE-4238R	880	Water Clear	20	10.5 @ $I_f=20$ mA	1.3 @ $I_f=20$ mA
LTE-3677	875	Water Clear	30	38.0 @ $I_f=50$ mA	1.5 @ $I_f=50$ mA
LTE-3276	850	Water Clear	50	32.0 @ $I_f=50$ mA	1.5 @ $I_f=50$ mA
LTE-3376	850	Water Clear	30	45.0 @ $I_f=50$ mA	1.6 @ $I_f=50$ mA
LTE-3226	850	Water Clear	25	65.0 @ $I_f=50$ mA	1.6 @ $I_f=50$ mA
LTE-3372	850	Water Clear	20	108.0 @ $I_f=50$ mA	1.6 @ $I_f=50$ mA
LTE-3220L	850	Water Clear	30	60.0 @ $I_f=50$ mA	1.5 @ $I_f=50$ mA
LTE-3070L	850	Water Clear	45	22.5 @ $I_f=50$ mA	1.5 @ $I_f=50$ mA
LTE-3370L	850	Water Clear	20	80.0 @ $I_f=50$ mA	1.6 @ $I_f=50$ mA
LTE-32B0L	850	Water Clear	40	22.0 @ $I_f=20$ mA	1.5 @ $I_f=50$ mA
LTE-32F0L	850	Water Clear	60	28.0 @ $I_f=50$ mA	1.5 @ $I_f=50$ mA
LTE-7F70L	850	Water Clear	95	10.0 @ $I_f=50$ mA	1.6 @ $I_f=100$ mA

IR Emitter_5mm Through Hole Type



T1 3/4 Top View, 5mm

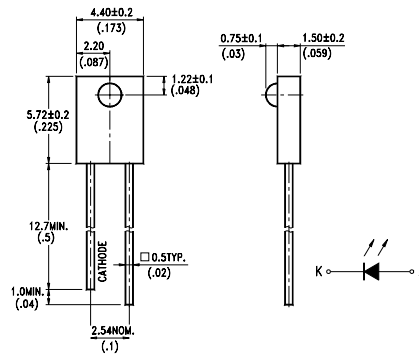


Part No.	λ_p (nm)	Lens Color	Viewing Angle $2\theta_{1/2}$	Typ.Radiation Intensity I_e (mW/sr)	Typ.Forward Voltage V_F (V)	Forward Current I_F (mA)
LTE-2872U	940	Water Clear	16	12.0	1.2	20

IR Emitter_Side Look



5.72 x 4.40 x 2.25 mm

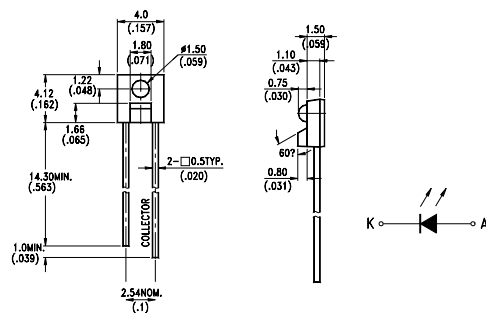


Part No.	λ_p (nm)	Lens Color	Viewing Angle $2\theta_{1/2}$	Typ.Radiation Intensity I_e (mW/sr)	Typ.Forward Voltage V_F (V)	Forward Current I_F (mA)
LTE-302	940	Water Clear	40	1.4	1.2	20

IR Emitter_Side Look



4.12 x 4.00 x 2.25 mm



Part No.	λ_p (nm)	Lens Color	Viewing Angle $2\theta_{1/2}$	Typ.Radiation Intensity I_e (mW/sr)	Typ.Forward Voltage V_F (V)	Forward Current I_F (mA)
LTE-309	940	Water Clear	40	1.4	1.2	20

Flash LED

SMD LED

Through Hole Lamp

LED Display

Automotive LED

Signage LED

Lighting LED

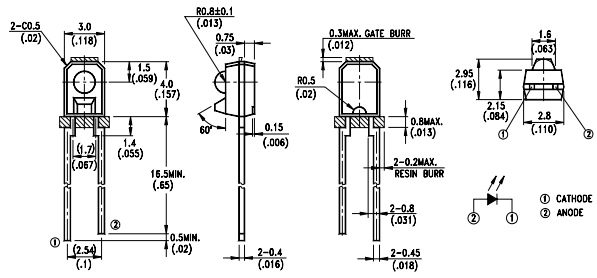
Infrared Emitter and Detector

Optical Sensors

Photocoupler

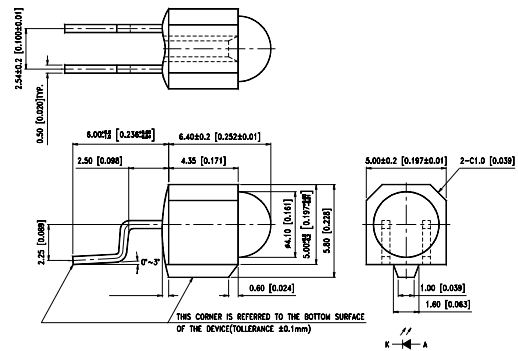
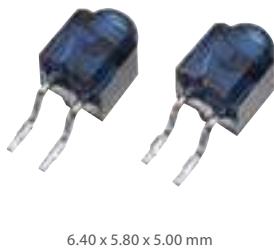
UV LED

IR Emitter_Side Look



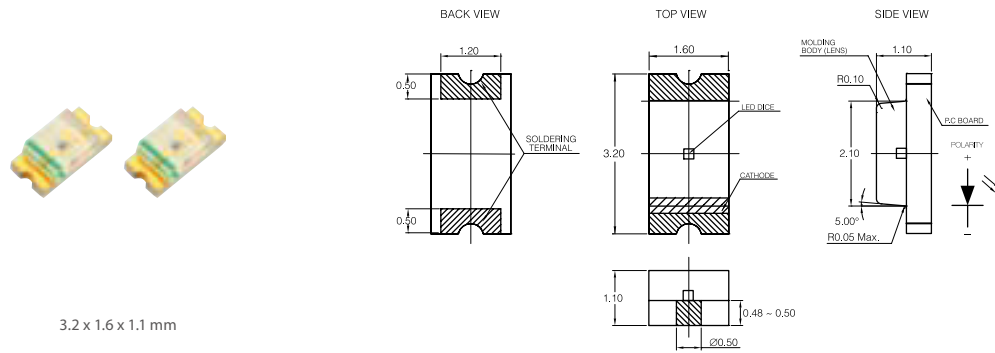
Part No.	λ_p (nm)	Lens Color	Viewing Angle $2\theta_{1/2}$	Typ.Radiation Intensity I_e (mW/sr)	Typ.Forward Voltage V_f (V)
LTE-306	940	Water Clear	30	1.5 @ $I_f=20$ mA	1.2 @ $I_f=20$ mA
LTE-304	850	Water Clear	30	3.0 @ $I_f=20$ mA	1.6 @ $I_f=50$ mA

IR Emitter_SMD Side View



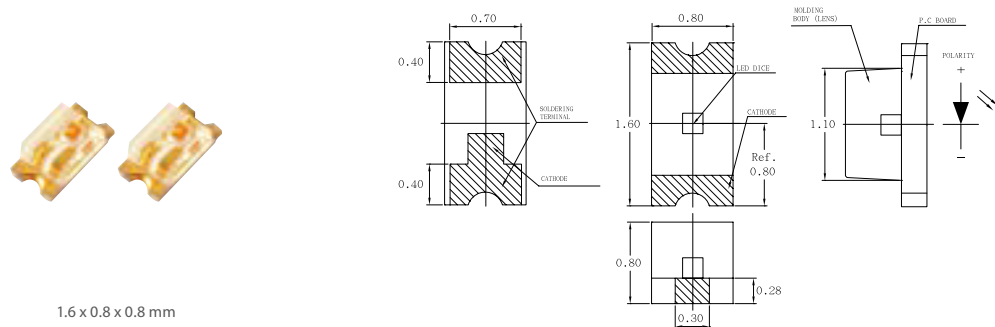
Part No.	λ_p (nm)	Lens Color	Viewing Angle $2\theta_{1/2}$	Typ.Radiation Intensity I_e (mW/sr)	Typ.Forward Voltage V_f (V)
LTE-7377L	880	Blue	16	35.0 @ $I_f=50$ mA	1.8 @ $I_f=350$ mA

IR Emitter_SMD Type



Part No.	λ_p (nm)	Lens Color	Viewing Angle $2\theta_{1/2}$	Typ.Radiation Intensity I_e (mW/sr)	Typ.Forward Voltage V_f (V)	Forward Current I_f (mA)
LTE-C1501	940	Clear	130	0.8	1.2	20
LTE-C1506	850	Clear	130	1.0	1.4	20

IR Emitter_SMD Type



Part No.	λ_p (nm)	Lens Color	Viewing Angle $2\theta_{1/2}$	Typ.Radiation Intensity I_e (mW/sr)	Typ.Forward Voltage V_f (V)	Forward Current I_f (mA)
LTE-C1901-ZF	940	Clear	150	0.8	1.2	20
LTE-C1906R-14	850	Clear	130	2.0	1.6	20

Flash LED

SMD LED

Through Hole Lamp

LED Display

Automotive LED

Signage LED

Lighting LED

Infrared Emitter and
Detector

Optical Sensors

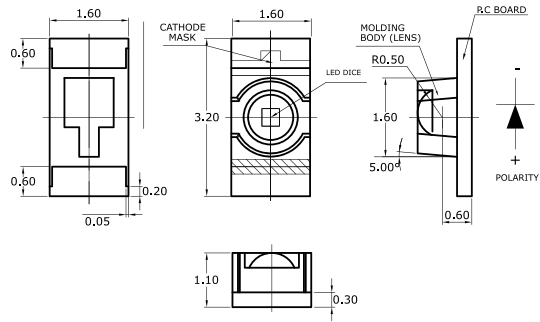
Photocoupler

UV LED

IR Emitter_SMD Type



3.2 x 1.6 x 1.1 mm

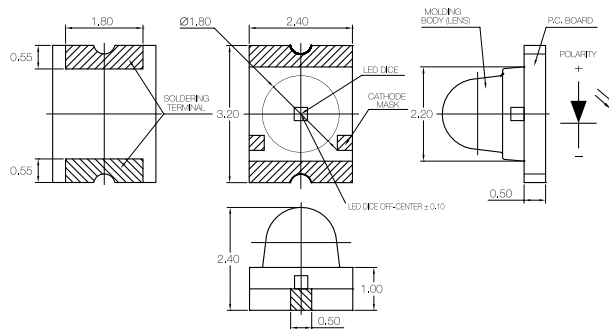


Part No.	λ_p (nm)	Lens Color	Viewing Angle $2\theta_{1/2}$	Typ.Radiation Intensity I_e (mW/sr)	Typ.Forward Voltage V_f (V)	Forward Current I_f (mA)
LTE-C211-X	940	Clear	115	1.8	1.2	20
LTE-C216-P	850	Clear	75	4.0	1.4	20
LTE-C216R-14	850	Clear	75	4.0	1.4	20

IR Emitter_SMD Type

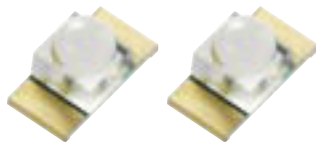


3.2 x 2.4 x 2.4 mm

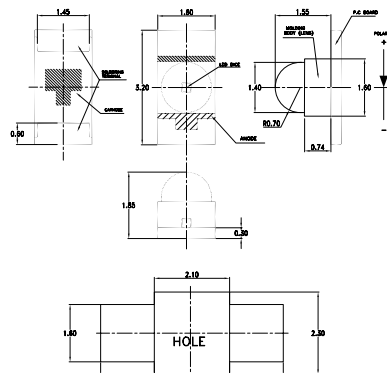


Part No.	λ_p (nm)	Lens Color	Viewing Angle $2\theta_{1/2}$	Typ.Radiation Intensity I_e (mW/sr)	Typ.Forward Voltage V_f (V)	Forward Current I_f (mA)
LTE-C9301	940	Clear	25	2.9	1.2	20
LTE-C9306	850	Clear	20	4.0	1.5	20
LTE-C9306R-14	850	Clear	20	10.0	1.4	20

IR Emitter_SMD Type



3.2 x 1.6 x 1.85 mm

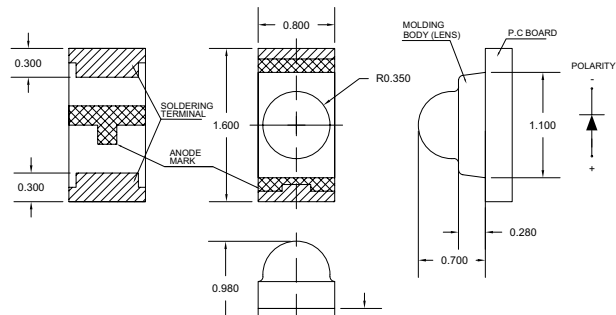


Part No.	λ_p (nm)	Lens Color	Viewing Angle $2\theta_{1/2}$	Typ.Radiation Intensity I_e (mW/sr)	Typ.Forward Voltage V_f (V)	Forward Current I_f (mA)
LTE-C9501-E-T	940	Clear	20	4.0	1.2	20
LTE-C9506B	850	Black	20	20.0	1.4	20

IR Emitter_SMD Type



1.6 x 0.8 x 0.98 mm



Part No.	λ_p (nm)	Lens Color	Viewing Angle $2\theta_{1/2}$	Typ.Radiation Intensity I_e (mW/sr)	Typ.Forward Voltage V_f (V)	Forward Current I_f (mA)
LTE-C9901	940	Clear	65	8.0	1.4	20

Flash LED

SMD LED

Through Hole Lamp

LED Display

Automotive LED

Signage LED

Lighting LED

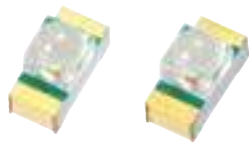
Infrared Emitter and
Detector

Optical Sensors

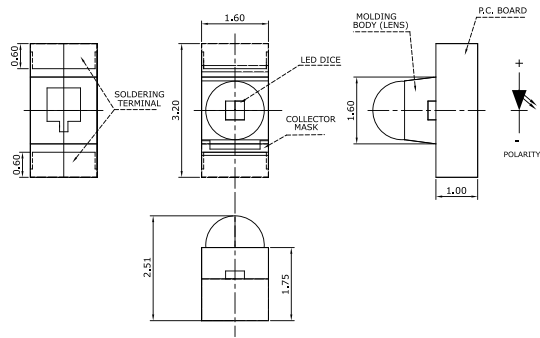
Photocoupler

UV LED

IR Emitter_SMD Type



3.2 x 2.5 x 1.6 mm

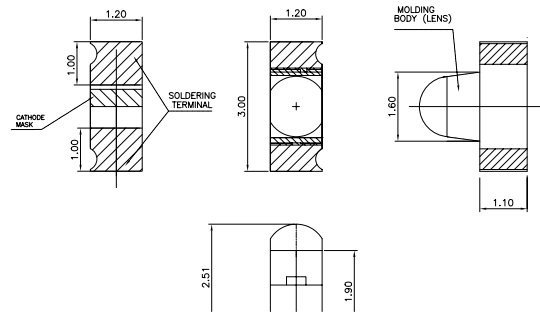


Part No.	λ_p (nm)	Lens Color	Viewing Angle $2\theta_{1/2}$	Typ.Radiation Intensity I_e (mW/sr)	Typ.Forward Voltage V_F (V)	Forward Current I_F (mA)
LTE-S9511-E	940	Clear	25	6.0	1.2	20

IR Emitter_SMD Type



3.2 x 2.5 x 1.2 mm

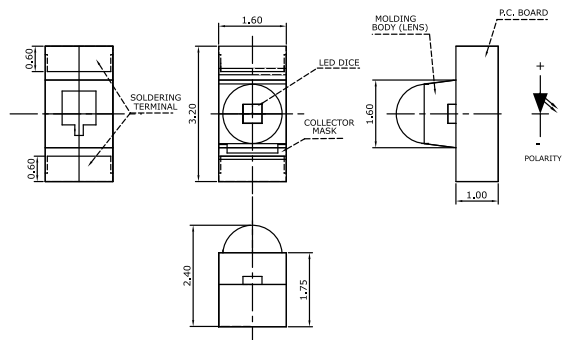


Part No.	λ_p (nm)	Lens Color	Viewing Angle $2\theta_{1/2}$	Typ.Radiation Intensity I_e (mW/sr)	Typ.Forward Voltage V_F (V)	Forward Current I_F (mA)
LTE-S9511TS	940	Clear	18	20	1.3	20

IR Emitter_SMD Type



3.2 x 2.4 x 1.6 mm

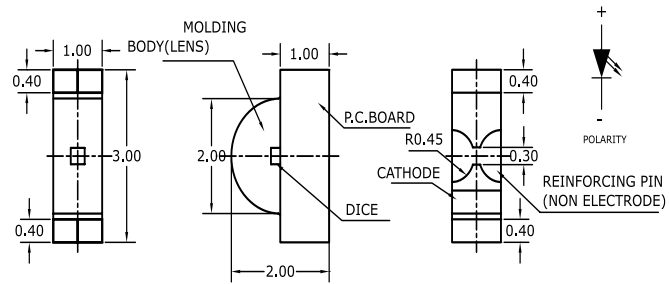


Part No.	λ_p (nm)	Lens Color	Viewing Angle $2\theta_{1/2}$	Typ.Radiation Intensity I_e (mW/sr)	Typ.Forward Voltage V_F (V)	Forward Current I_F (mA)
LTE-S9711-J	940	Clear	45	3.0	1.2	20

IR Emitter_SMD Type

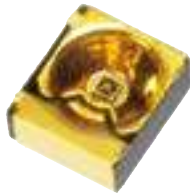


3.0 x 2.0 x 1.0 mm

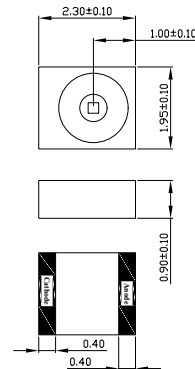


Part No.	λ_p (nm)	Lens Color	Viewing Angle $2\theta_{1/2}$	Typ.Radiation Intensity I_e (mW/sr)	Typ.Forward Voltage V_f (V)	Forward Current I_f (mA)
LTE-S3201	940	Clear	130	0.5	1.2	20
LTE-S3206	850	Clear	130	1.9	1.4	20

IR Emitter_SMD Bowl Type



2.30 x 1.95 x 0.90 mm



Part No.	λ_p (nm)	Viewing Angle $2\theta_{1/2}$	Typ.Radiation Intensity I_e (mW/sr)	Typ.Forward Voltage V_f (V)	Max. Continuous Forward Current (mA)
LTE-C269	940	30	35-114 @ $I_f=100$ mA	1.4 @ $I_f=100$ mA	100
LTE-C249	855	30	20-114 @ $I_f=100$ mA	1.6 @ $I_f=100$ mA	100

Flash LED

SMD LED

Through Hole Lamp

LED Display

Automotive LED

Signage LED

Lighting LED

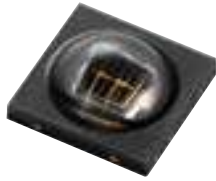
Infrared Emitter and Detector

Optical Sensors

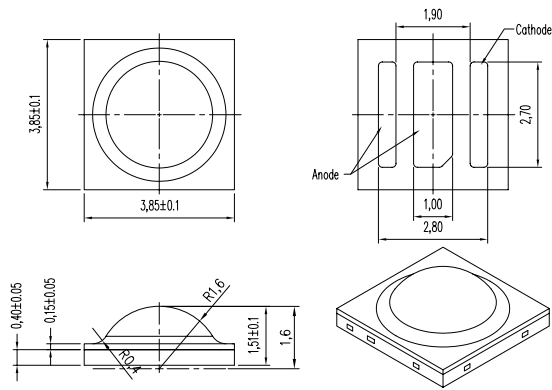
Photocoupler

UV LED

IR Emitter_High Power SMD



3.85 x 3.85 x 1.51 mm

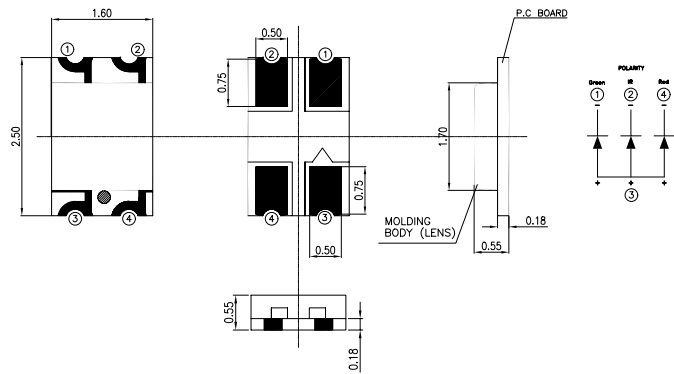


Part No.	λ_p (nm)	Lens Color	Viewing Angle $2\theta_{1/2}$	Typ.Radiation Intensity I_e (mW/sr)	Typ.Forward Voltage V_f (V)
LTE-R38381-S	940	Clear	90	300.0 @ $I_f=1000$ mA	1.8 @ $I_f=1000$ mA
LTE-R38831S-S	940	Clear	90	550.0 @ $I_f=1000$ mA	3.0 @ $I_f=1000$ mA
LTE-R38386-SE8	850	Clear	90	200.0 @ $I_f=700$ mA	1.7 @ $I_f=350$ mA
LTE-R38386-ZFE8	850	Clear	150	120.0 @ $I_f=700$ mA	1.7 @ $I_f=350$ mA
LTE-R38386-S	850	Clear	90	300.0 @ $I_f=1000$ mA	1.8 @ $I_f=1000$ mA
LTE-R38386-ZF	850	Clear	150	150.0 @ $I_f=1000$ mA	1.8 @ $I_f=1000$ mA
LTE-R38386S-S	850	Clear	90	550.0 @ $I_f=1000$ mA	3.0 @ $I_f=1000$ mA
LTE-R38386S-ZF	850	Clear	150	225.0 @ $I_f=1000$ mA	3.0 @ $I_f=1000$ mA
LTE-R38389S-S	810	Clear	90	500.0 @ $I_f=1000$ mA	3.3 @ $I_f=1000$ mA

IR Emitter_SMD Type



2.5 x 1.6 x 0.55 mm

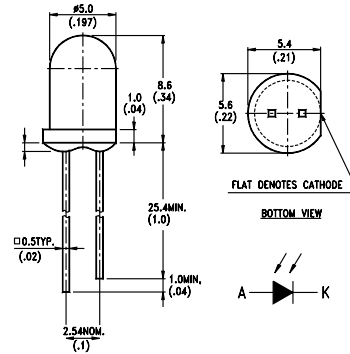


Part No.	λ_p (nm)	Lens Color	Viewing Angle $2\theta_{1/2}$	Typ.Radiation Intensity I_e (mW/sr)	Typ.Forward Voltage V_f (V)	Forward Current I_f (mA)
LTE-C1951RG	940	Clear	130	2.0	1.4	20
	660			3.0	2.1	20
	525			2.5	2.9	20

Photodiode_5mm Through Hole Type



T1 3/4 Top View, 5mm

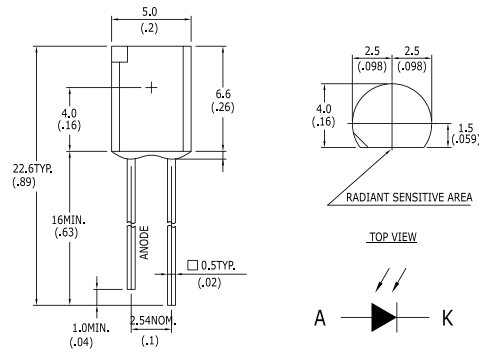


Part No.	Lens Color	Visible Light Fiber	Typ. Short Circuit Current I_s (μA)@ $V_R=5\text{V}$; $E_e=0.1\text{mW}/\text{cm}^2$; $\lambda=940\text{nm}$	Max. Reverse Dark Current Voltage $I_{D(R)}$ (nA) @ $V_R=10\text{V}$; $E_e=0\text{mW}/\text{cm}^2$	Min. Reverse Break Down Voltage $V_{(BR)R}$ (V) @ $I_R=100\mu\text{A}$; $E_e=0\text{mW}/\text{cm}^2$
LTR-323DB	Dark	Yes	13	30	30

Photodiode_Side Look



6.6 x 5.0 x 4.0 mm



Part No.	Lens Color	Visible Light Fiber	Typ. Short Circuit Current I_s (μA)@ $V_R=5\text{V}$; $E_e=0.1\text{mW}/\text{cm}^2$; $\lambda=940\text{nm}$	Max. Reverse Dark Current Voltage $I_{D(R)}$ (nA) @ $V_R=10\text{V}$; $E_e=0\text{mW}/\text{cm}^2$	Min. Reverse Break Down Voltage $V_{(BR)R}$ (V) @ $I_R=100\mu\text{A}$; $E_e=0\text{mW}/\text{cm}^2$
LTR-526AD	Dark	Yes	2	30	30

Flash LED

SMD LED

Through Hole Lamp

LED Display

Automotive LED

Signage LED

Lighting LED

Infrared Emitter and Detector

Optical Sensors

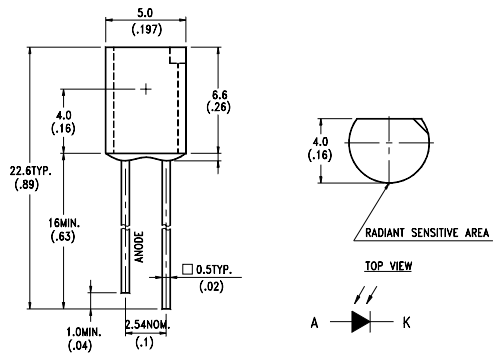
Photocoupler

UV LED

Photodiode_Side Look



6.6 x 5.0 x 4.0 mm

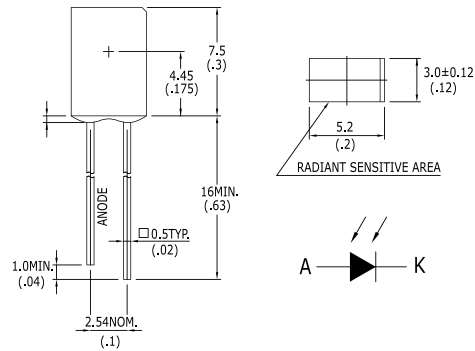


Part No.	Lens Color	Visible Light Fiber	Typ. Short Circuit Current I_s (μA) @ $V_R=5\text{V}$; $E_e=0.1\text{mW/cm}^2$; $\lambda=940\text{nm}$	Max. Reverse Dark Current Voltage $I_{D(R)}$ (nA) @ $V_R=10\text{V}$; $E_e=0\text{mW/cm}^2$	Min. Reverse Break Down Voltage $V_{(BR)R}$ (V) @ $I_s=100\mu\text{A}$; $E_e=0\text{mW/cm}^2$
LTR-516AB	Dark	Yes	2	30	30
LTR-516AD	Dark	Yes	2	30	30

Photodiode_Side Look



7.5 x 5.2 x 3.0 mm

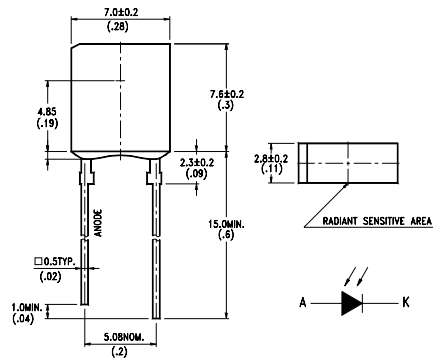


Part No.	Lens Color	Visible Light Fiber	Typ. Short Circuit Current I_s (μA) @ $V_R=5\text{V}$; $E_e=0.1\text{mW/cm}^2$; $\lambda=940\text{nm}$	Max. Reverse Dark Current Voltage $I_{D(R)}$ (nA) @ $V_R=10\text{V}$; $E_e=0\text{mW/cm}^2$	Min. Reverse Break Down Voltage $V_{(BR)R}$ (V) @ $I_s=100\mu\text{A}$; $E_e=0\text{mW/cm}^2$
LTR-536AD	Dark	Yes	2	30	30

Photodiode_Side Look



7.6 x 7.0 x 2.8 mm

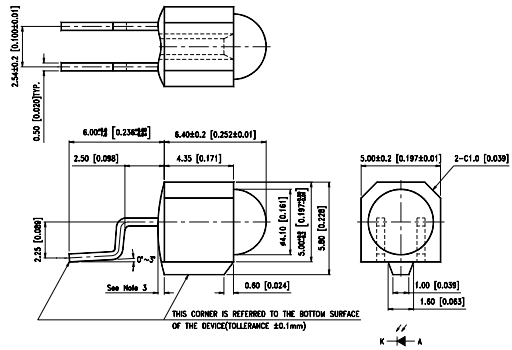


Part No.	Lens Color	Visible Light Fiber	Typ. Short Circuit Current I_s (μ A) @ $V_R=5V$; $E_e=0.1mW/cm^2$; $\lambda=940nm$	Max. Reverse Dark Current Voltage $ID_{(R)}$ (nA) @ $V_R=10V$; $E_e=0mW/cm^2$	Min. Reverse Break Down Voltage $V_{(BR)R}$ (V) @ $I_R=100\mu A$; $E_e=0mW/cm^2$
LTR-546AB	Dark	Yes	2	30	30
LTR-546AD	Dark	Yes	2	30	30

Photodiode_SMD Side Look



6.4 x 5.0 x 5.80 mm



Part No.	Lens Color	Visible Light Fiber	Typ. Short Circuit Current I_s (μ A) @ $V_R=5V$; $E_e=0.1mW/cm^2$; $\lambda=940nm$	Max. Reverse Dark Current Voltage $ID_{(R)}$ (nA) @ $V_R=10V$; $E_e=0mW/cm^2$	Min. Reverse Break Down Voltage $V_{(BR)R}$ (V) @ $I_R=100\mu A$; $E_e=0mW/cm^2$
LTR-733DBM1-TA	Dark	Yes	7	30	30

Flash LED

SMD LED

Through Hole Lamp

LED Display

Automotive LED

Signage LED

Lighting LED

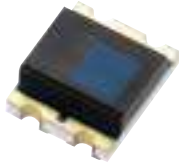
Infrared Emitter and Detector

Optical Sensors

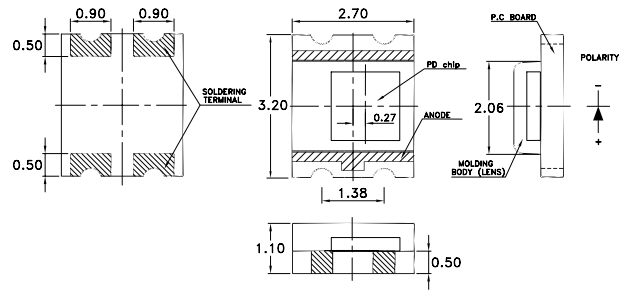
Photocoupler

UV LED

Photodiode_SMD Type

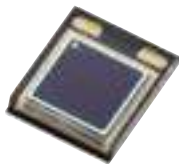


3.2 x 2.7 x 1.1 mm

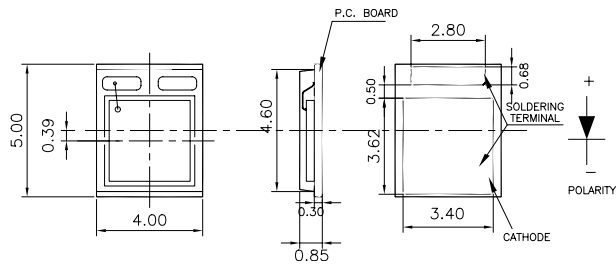


Part No.	Lens Color	Visible Light Fiber	Typ. Short Circuit Current I_s (μA) @ $V_R=5\text{V}$; $E_e=0.5\text{mW}/\text{cm}^2$; $\lambda=940\text{nm}$	Max. Reverse Dark Current Voltage $I_{D(R)}$ (nA) @ $V_R=10\text{V}$; $E_e=0\text{mW}/\text{cm}^2$	Min. Reverse Break Down Voltage $V_{(BR)R}$ (V) @ $I_s=100\mu\text{A}$; $E_e=0\text{mW}/\text{cm}^2$
LTR-C155-DC	Clear	No	10	10	33
LTR-C155-DB	Dark	Yes	10	10	33

Photodiode_SMD Type

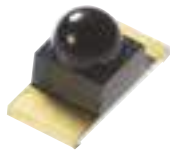


5.0 x 4.0 x 0.85 mm

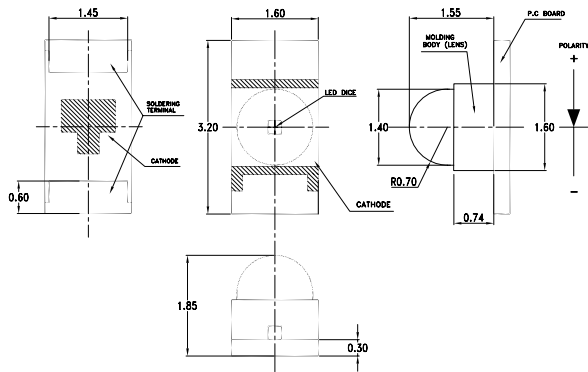


Part No.	Lens Color	Visible Light Fiber	Typ. Short Circuit Current I_s (μA) @ $V_R=5\text{V}$; $E_e=0.5\text{mW}/\text{cm}^2$; $\lambda=940\text{nm}$	Max. Reverse Dark Current Voltage $I_{D(R)}$ (nA) @ $V_R=10\text{V}$; $E_e=0\text{mW}/\text{cm}^2$	Min. Reverse Break Down Voltage $V_{(BR)R}$ (V) @ $I_s=100\mu\text{A}$; $E_e=0\text{mW}/\text{cm}^2$
LTR-C5510-DC	Clear	No	940nm : 40	10	33
			660nm : 35		
			525nm : 30		
LTR-C5511-DB	Black	Yes	40	10	33

Photodiode_SMD Type

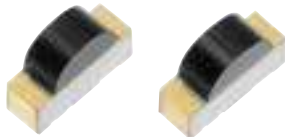


3.2 x 1.6 x 1.85 mm

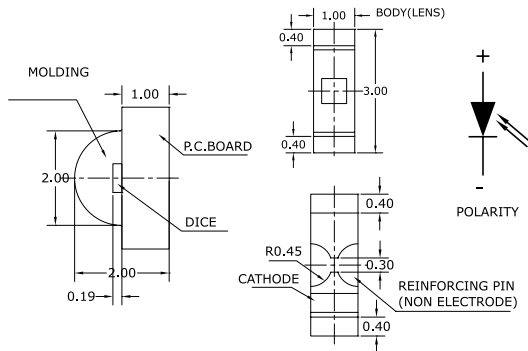


Part No.	Lens Color	Visible Light Fiber	Typ. Short Circuit Current I_s (μA)@ $V_R=5\text{V}$; $E_e=0.5\text{mW}/\text{cm}^2$; $\lambda=940\text{nm}$	Max. Reverse Dark Current Voltage $I_{D(R)}$ (nA) @ $V_R=10\text{V}$; $E_e = 0\text{mW}/\text{cm}^2$	Min. Reverse Break Down Voltage $V_{(BR)R}$ (V) @ $I_s=100\mu\text{A}$ $E_e = 0\text{mW}/\text{cm}^2$
LTR-C950-DB	Black	Yes	3	10	33

Photodiode_SMD Type



3.0 x 2.0 x 1.0 mm



Part No.	Lens Color	Visible Light Fiber	Typ. Short Circuit Current I_s (μA)@ $V_R=5\text{V}$; $E_e=0.5\text{mW}/\text{cm}^2$; $\lambda=940\text{nm}$	Max. Reverse Dark Current Voltage $I_{D(R)}$ (nA) @ $V_R=10\text{V}$; $E_e = 0\text{mW}/\text{cm}^2$	Min. Reverse Break Down Voltage $V_{(BR)R}$ (V) @ $I_s=100\mu\text{A}$ $E_e = 0\text{mW}/\text{cm}^2$
LTR-S320-DB-L	Dark	Yes	1.8	10	33

Flash LED

SMD LED

Through Hole Lamp

LED Display

Automotive LED

Signage LED

Lighting LED

Infrared Emitter and Detector

Optical Sensors

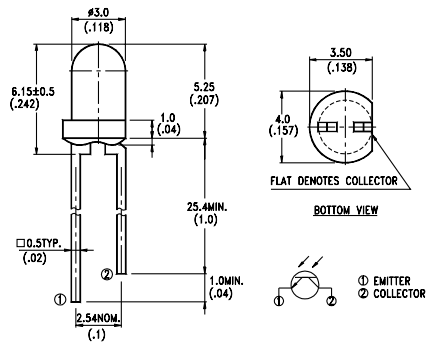
Photocoupler

UV LED

Phototransistors_3mm Through Hole Type



T1 Top View, 3mm

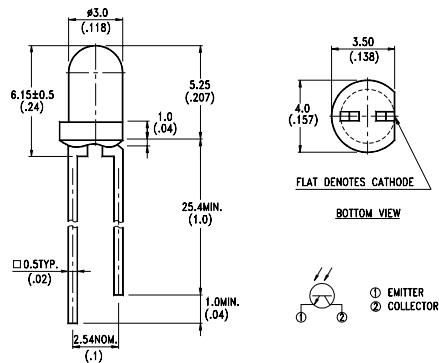


Part No.	Lens Color	Visible Light Fiber	Min. On State Collector Current $I_{C(ON)}$ (mA) @ $V_{CE}=5V$; $E_e=1mW/cm^2$; $\lambda=940nm$	Max. Dark Current (nA) @ $V_{CE}=10V$	Max. Collector-Emitter Saturation Voltage $V_{CE(SAT)}$ (V) @ $I_C=100\mu A$ $E_e=1mW/cm^2$	Min. Collector-Emitter Breakdown Voltage $V_{(BR)CEO}$ (V) @ $I_C=1mA$ $E_e=0mW/cm^2$
LTR-1650D	Dark	Yes	4	100	0.4	30

Phototransistors_3mm Through Hole Type



T1 Top View, 3mm

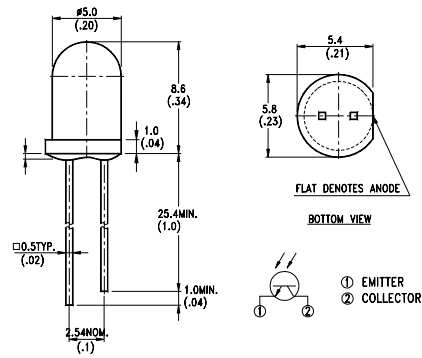


Part No.	Lens Color	Visible Light Fiber	Min. On State Collector Current $I_{C(ON)}$ (mA) @ $V_{CE}=5V$; $E_e=1mW/cm^2$; $\lambda=940nm$	Max. Dark Current (nA) @ $V_{CE}=10V$	Max. Collector-Emitter Saturation Voltage $V_{CE(SAT)}$ (V) @ $I_C=100\mu A$ $E_e=1mW/cm^2$	Min. Collector-Emitter Breakdown Voltage $V_{(BR)CEO}$ (V) @ $I_C=1mA$ $E_e=0mW/cm^2$
LTR-4206	Water Clear	No	4	100	0.4	30
LTR-4206E	Dark	Yes	4	100	0.4	30

Phototransistors_3mm Through Hole Type



T1 Top View, 3mm

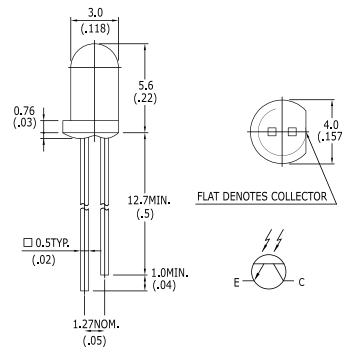


Part No.	Lens Color	Visible Light Fiber	Min. On State Collector Current $I_{C(ON)}$ (mA) @ $V_{CE}=5V$; $E_e=1mW/cm^2$; $\lambda=940nm$	Max. Dark Current (nA) @ $V_{CE}=10V$	Max. Collector-Emitter Saturation Voltage $V_{CE(SAT)}$ (V) @ $I_C=100\mu A$ $E_e=1mW/cm^2$	Min. Collector-Emitter Breakdown Voltage $V_{(BR)CEO}$ (V) @ $I_C=1mA$ $E_e=0mW/cm^2$
LTR-3208	Water Clear	No	8	100	0.4	30
LTR-3208E	Dark	Yes	8	100	0.4	30

Phototransistors_3mm Through Hole Type



T1 Top View, 3mm



Part No.	Lens Color	Visible Light Fiber	Min. On State Collector Current $I_{C(ON)}$ (mA) @ $V_{CE}=5V$; $E_e=1mW/cm^2$; $\lambda=940nm$	Max. Dark Current (nA) @ $V_{CE}=10V$	Max. Collector-Emitter Saturation Voltage $V_{CE(SAT)}$ (V) @ $I_C=100\mu A$ $E_e=1mW/cm^2$	Min. Collector-Emitter Breakdown Voltage $V_{(BR)CEO}$ (V) @ $I_C=1mA$ $E_e=0mW/cm^2$
LTR-209	Water Clear	No	4	100	0.4	30
LTR-209H	Dark	Yes	4	100	0.4	30

Flash LED

SMD LED

Through Hole Lamp

LED Display

Automotive LED

Signage LED

Lighting LED

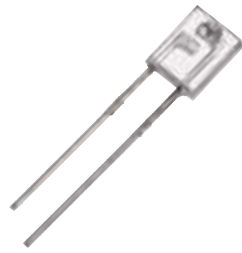
Infrared Emitter and Detector

Optical Sensors

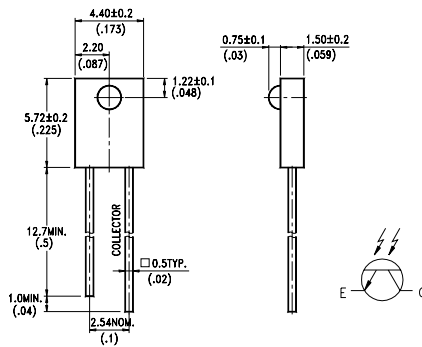
Photocoupler

UV LED

Phototransistors_Side Look



5.72 x 4.40 x 2.25 mm

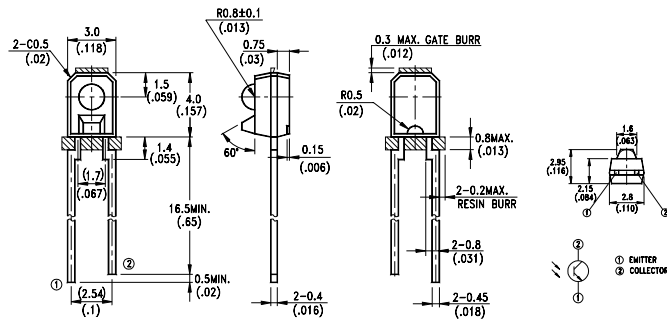


Part No.	Lens Color	Visible Light Fiber	Min. On State Collector Current $I_{C(ON)}$ (mA) @ $V_{CE}=5V$; $E_e=1mW/cm^2$; $\lambda=940nm$	Max. Dark Current (nA) @ $V_{CE}=10V$	Max. Collector-Emitter Saturation Voltage $V_{CE(SAT)}$ (V) @ $I_C=100\mu A$ $E_e=1mW/cm^2$	Min. Collector-Emitter Breakdown Voltage $V_{(BR)CEO}$ (V) @ $I_C=1mA$ $E_e=0mW/cm^2$
LTR-301	Water Clear	No	2	100	0.4	30

Phototransistors_Side Look



4.0 x 3.0 x 2.95 mm

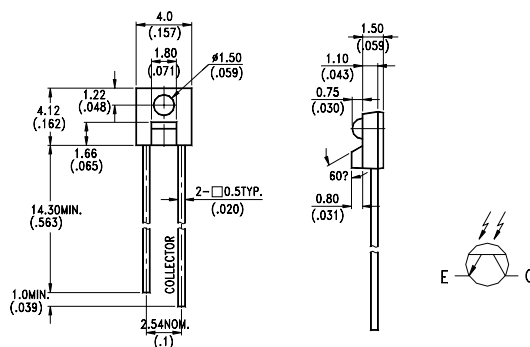


Part No.	Lens Color	Visible Light Fiber	Min. On State Collector Current $I_{C(ON)}$ (mA) @ $V_{CE}=5V$; $E_e=1mW/cm^2$; $\lambda=940nm$	Max. Dark Current (nA) @ $V_{CE}=10V$	Max. Collector-Emitter Saturation Voltage $V_{CE(SAT)}$ (V) @ $I_C=100\mu A$ $E_e=1mW/cm^2$	Min. Collector-Emitter Breakdown Voltage $V_{(BR)CEO}$ (V) @ $I_C=1mA$ $E_e=0mW/cm^2$
LTR-306	Red Clear	No	2	100	0.4	30

Phototransistors_Side Look

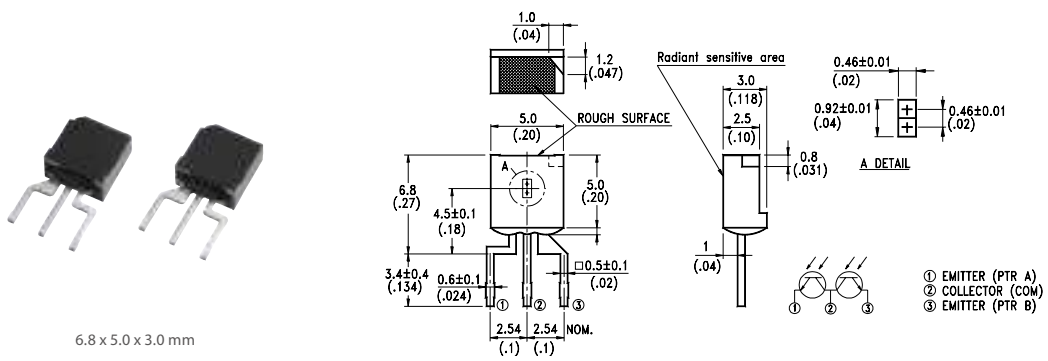


4.12 x 4.0 x 2.25 mm



Part No.	Lens Color	Visible Light Fiber	Min. On State Collector Current $I_{C(ON)}$ (mA) @ $V_{CE}=5V$; $E_e=1mW/cm^2$; $\lambda=940nm$	Max. Dark Current (nA) @ $V_{CE}=10V$	Max. Collector-Emitter Saturation Voltage $V_{CE(SAT)}$ (V) @ $I_C=100\mu A$ $E_e=1mW/cm^2$	Min. Collector-Emitter Breakdown Voltage $V_{(BR)CEO}$ (V) @ $I_C=1mA$ $E_e=0mW/cm^2$
LTR-309	Water Clear	No	2	100	0.4	30

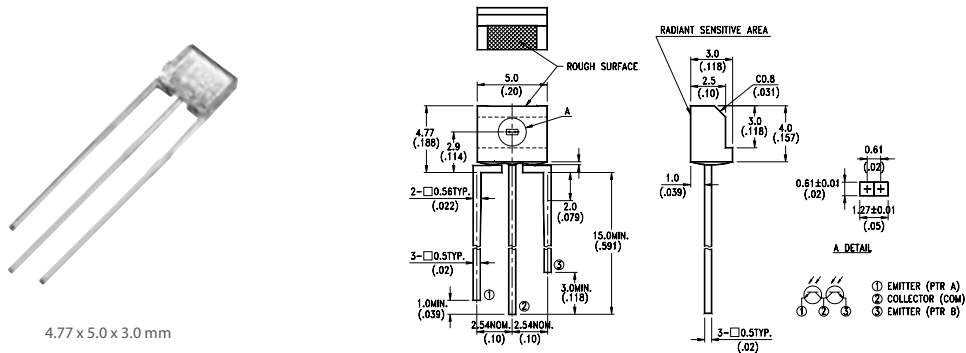
Phototransistors_Side Look



6.8 x 5.0 x 3.0 mm

Part No.	Lens Color	Visible Light Fiber	Min. On State Collector Current $I_{c(ON)}$ (mA) @ $V_{CE}=5V$; $E_e=1mW/cm^2$; $\lambda=940nm$	Max. Dark Current (nA) @ $V_{CE}=10V$	Max. Collector-Emitter Saturation Voltage $V_{CE(SAT)}$ (V) @ $I_c=50\mu A$ $E_e=1mW/cm^2$	Min. Collector-Emitter Breakdown Voltage $V_{(BR)CEO}$ (V) @ $I_c=1mA$ $E_e=1mW/cm^2$
LTR-5579DP1	Dark	Yes	0.3	100	0.4	30

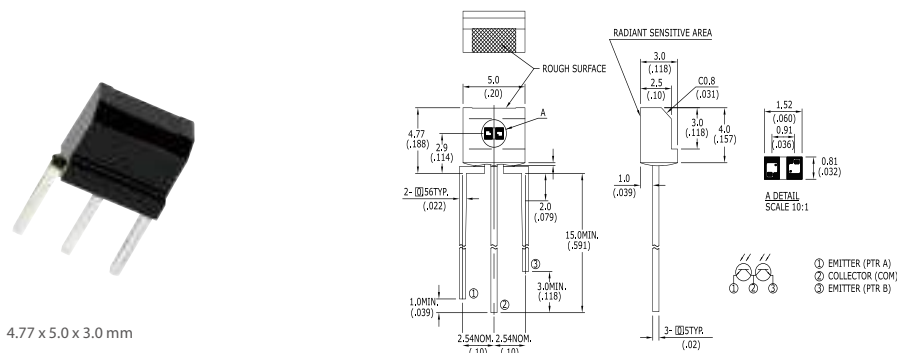
Phototransistors_Side Look



4.77 x 5.0 x 3.0 mm

Part No.	Lens Color	Visible Light Fiber	Min. On State Collector Current $I_{c(ON)}$ (mA) @ $V_{CE}=5V$; $E_e=1mW/cm^2$; $\lambda=940nm$	Max. Dark Current (nA) @ $V_{CE}=10V$	Max. Collector-Emitter Saturation Voltage $V_{CE(SAT)}$ (V) @ $I_c=50\mu A$ $E_e=0.5mW/cm^2$	Min. Collector-Emitter Breakdown Voltage $V_{(BR)CEO}$ (V) @ $I_c=1mA$ $E_e=0mW/cm^2$
LTR-5986H	Water Clear	No	0.5	100	0.4	30

Phototransistors_Side Look



4.77 x 5.0 x 3.0 mm

Part No.	Lens Color	Visible Light Fiber	Min. On State Collector Current $I_{c(ON)}$ (mA) @ $V_{CE}=5V$; $E_e=1mW/cm^2$; $\lambda=940nm$	Max. Dark Current (nA) @ $V_{CE}=10V$	Max. Collector-Emitter Saturation Voltage $V_{CE(SAT)}$ (V) @ $I_c=100\mu A$ $E_e=1mW/cm^2$	Min. Collector-Emitter Breakdown Voltage $V_{(BR)CEO}$ (V) @ $I_c=1mA$ $E_e=0mW/cm^2$
LTR-5888DH	Dark	Yes	0.49	100	0.4	30

Flash LED

SMD LED

Through Hole Lamp

LED Display

Automotive LED

Signage LED

Lighting LED

Infrared Emitter and Detector

Optical Sensors

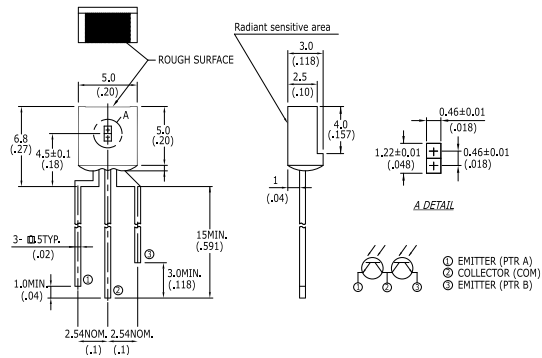
Photocopier

UV LED

Phototransistors_Side Look



6.8 x 5.0 x 3.0 mm

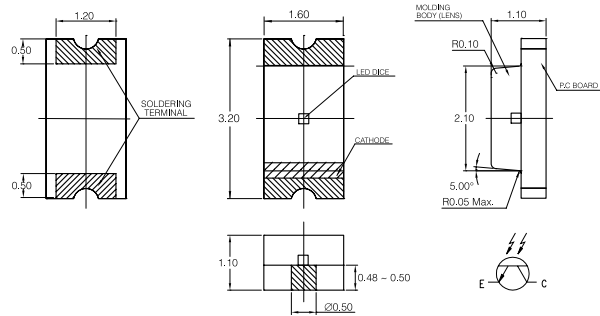


Part No.	Lens Color	Visible Light Fiber	Min. On State Collector Current $I_{c(ON)}$ (mA) @ $V_{CE}=5V$; $E_e=1mW/cm^2$; $\lambda=940nm$	Max. Dark Current (nA) @ $V_{CE}=10V$	Max. Collector-Emitter Saturation Voltage $V_{CE(SAT)}$ (V) @ $I_c=50\mu A$ $E_e=0.5mW/cm^2$	Min. Collector-Emitter Breakdown Voltage $V_{(BR)CEO}$ (V) @ $I_c=1mA$ $E_e=0mW/cm^2$
LTR-5576D	Dark	Yes	0.55	100	0.4	30

Phototransistors_SMD Type

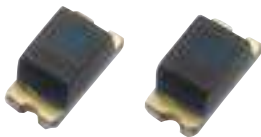


3.2 x 1.6 x 1.1 mm

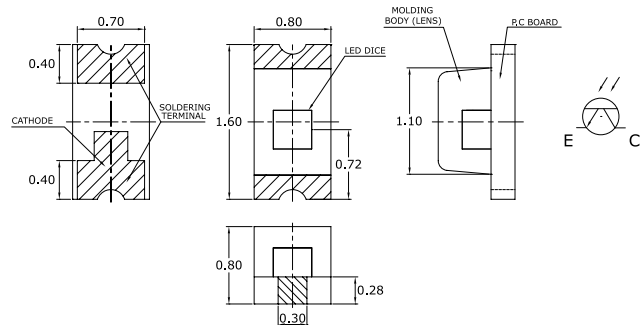


Part No.	Lens Color	Visible Light Fiber	Min. On State Collector Current $I_{c(ON)}$ (mA) @ $V_{CE}=5V$; $E_e=0.5mW/cm^2$; $\lambda=940nm$	Max. Dark Current (nA) @ $V_{CE}=20V$	Max. Collector-Emitter Saturation Voltage $V_{CE(SAT)}$ (V) @ $I_c=100\mu A$ $E_e=0.5mW/cm^2$	Min. Collector-Emitter Breakdown Voltage $V_{(BR)CEO}$ (V) @ $I_c=1mA$ $E_e=0mW/cm^2$
LTR-C1503	Clear	No	0.8	100	0.4	30

Phototransistors_SMD Type

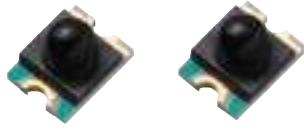


1.6 x 0.8 x 0.8 mm

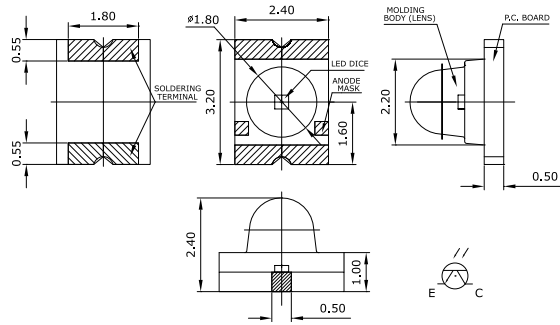


Part No.	Lens Color	Visible Light Fiber	Min. On State Collector Current $I_{c(ON)}$ (mA) @ $V_{CE}=5V$; $E_e=0.5mW/cm^2$; $\lambda=940nm$	Max. Dark Current (nA) @ $V_{CE}=20V$	Max. Collector-Emitter Saturation Voltage $V_{CE(SAT)}$ (V) @ $I_c=100\mu A$ $E_e=0.5mW/cm^2$	Min. Collector-Emitter Breakdown Voltage $V_{(BR)CEO}$ (V) @ $I_c=100\mu A$ $E_e=0mW/cm^2$
LTR-C1903	Clear	No	0.25	100	0.4	35

Phototransistors_SMD Type

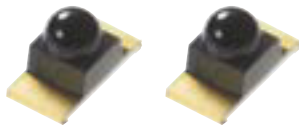


3.2 x 2.4 x 2.4 mm

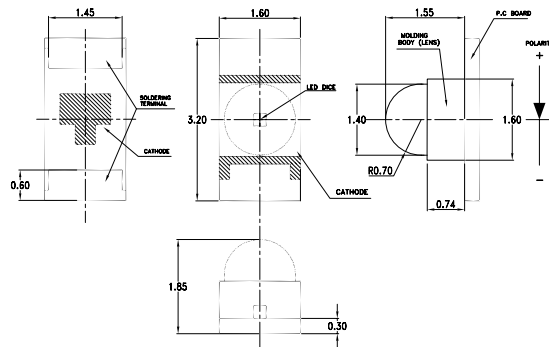


Part No.	Lens Color	Visible Light Fiber	Min. On State Collector Current $I_{C(ON)}$ (mA) @ $V_{CE}=5V$; $E_e=0.5mW/cm^2$; $\lambda=940nm$	Max. Dark Current (nA) @ $V_{CE}=20V$	Max. Collector-Emitter Saturation Voltage $V_{CE(SAT)}$ (V) @ $I_c=100\mu A$ $E_e=0.5mW/cm^2$	Min. Collector-Emitter Breakdown Voltage $V_{(BR)CEO}$ (V) @ $I_c=100\mu A$ $E_e=0mW/cm^2$
LTR-C9303B	Dark	Yes	2	100	0.4	30

Phototransistors_SMD Type



3.2 x 1.6 x 1.85 mm



Part No.	Lens Color	Visible Light Fiber	Min. On State Collector Current $I_{C(ON)}$ (mA) @ $V_{CE}=5V$; $E_e=0.5mW/cm^2$; $\lambda=940nm$	Max. Dark Current (nA) @ $V_{CE}=20V$	Max. Collector-Emitter Saturation Voltage $V_{CE(SAT)}$ (V) @ $I_c=100\mu A$ $E_e=0.5mW/cm^2$	Min. Collector-Emitter Breakdown Voltage $V_{(BR)CEO}$ (V) @ $I_c=100\mu A$ $E_e=0mW/cm^2$
LTR-C950-TB-T	Dark	Yes	4.5	100	0.4	30

Flash LED

SMD LED

Through Hole Lamp

LED Display

Automotive LED

Signage LED

Lighting LED

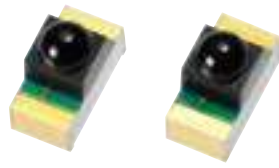
Infrared Emitter and Detector

Optical Sensors

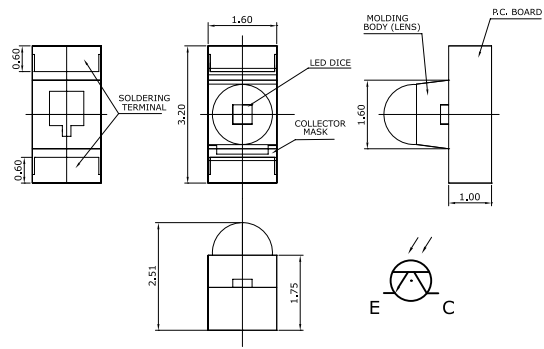
Photocoupler

UV LED

Phototransistors_SMD Type

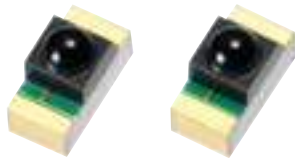


3.2 x 2.5 x 1.6 mm

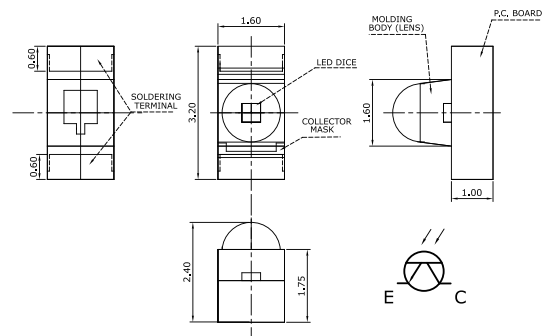


Part No.	Lens Color	Visible Light Fiber	Min. On State Collector Current $I_{C(ON)}$ (mA) @ $V_{CE}=5V$; $E_e=0.5mW/cm^2$; $\lambda=940nm$	Max. Dark Current (nA) @ $V_{CE}=20V$	Max. Collector-Emitter Saturation Voltage $V_{CE(SAT)}$ (V) @ $I_C=100\mu A$ $E_e=0.5mW/cm^2$	Min. Collector-Emitter Breakdown Voltage $V_{(BR)CE0}$ (V) @ $I_C=100\mu A$ $E_e=0mW/cm^2$
LTR-S951-TB	Dark	Yes	5	100	0.4	30

Phototransistors_SMD Type

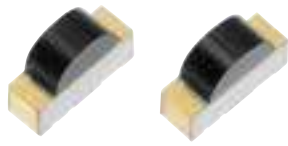


3.2 x 2.4 x 1.6 mm

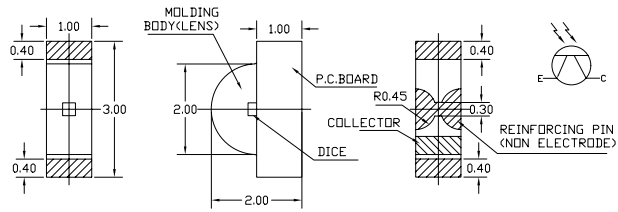


Part No.	Lens Color	Visible Light Fiber	Min. On State Collector Current $I_{C(ON)}$ (mA) @ $V_{CE}=5V$; $E_e=0.5mW/cm^2$; $\lambda=940nm$	Max. Dark Current (nA) @ $V_{CE}=20V$	Max. Collector-Emitter Saturation Voltage $V_{CE(SAT)}$ (V) @ $I_C=100\mu A$ $E_e=0.5mW/cm^2$	Min. Collector-Emitter Breakdown Voltage $V_{(BR)CE0}$ (V) @ $I_C=100\mu A$ $E_e=0mW/cm^2$
LTR-S971-TB	Dark	Yes	4	100	0.4	30

Phototransistors_SMD Type



3.0 x 2.0 x 1.0 mm

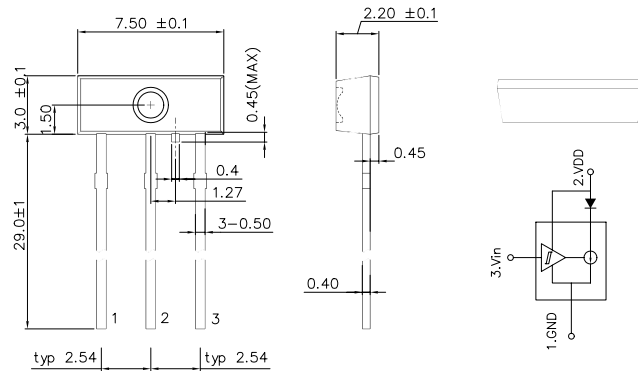


Part No.	Lens Color	Visible Light Fiber	Min. On State Collector Current $I_{C(ON)}$ (mA) @ $V_{CE}=5V$; $E_e=0.5mW/cm^2$; $\lambda=940nm$	Max. Dark Current (nA) @ $V_{CE}=20V$	Max. Collector-Emitter Saturation Voltage $V_{CE(SAT)}$ (V) @ $I_C=100\mu A$ $E_e=0.5mW/cm^2$	Min. Collector-Emitter Breakdown Voltage $V_{(BR)CEG}$ (V) @ $I_C=100\mu A$ $E_e=0mW/cm^2$
LTR-S320-TB	Dark	Yes	2	100	0.4	30

Photolink_Transmitter



7x3



Part No.	Data Rate (Mbps)	Operating Voltage (V)		Fiber Coupling Light Output (dBm)		
		Min	Max	Min	Typ	Max
LTDL-TA16A	16	2.75	5.25	-21	-17	-15
LTDL-TA25A	25	2.75	5.25	-21	-17	-15

Flash LED

SMD LED

Through Hole Lamp

LED Display

Automotive LED

Signage LED

Lighting LED

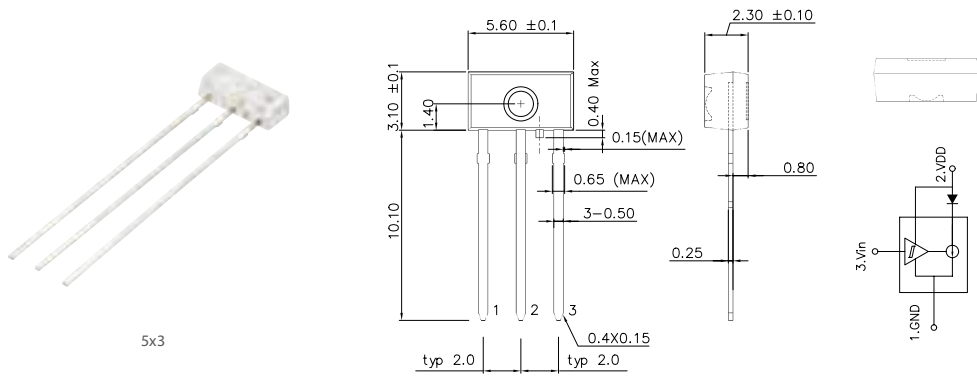
Infrared Emitter and Detector

Optical Sensors

Photocoupler

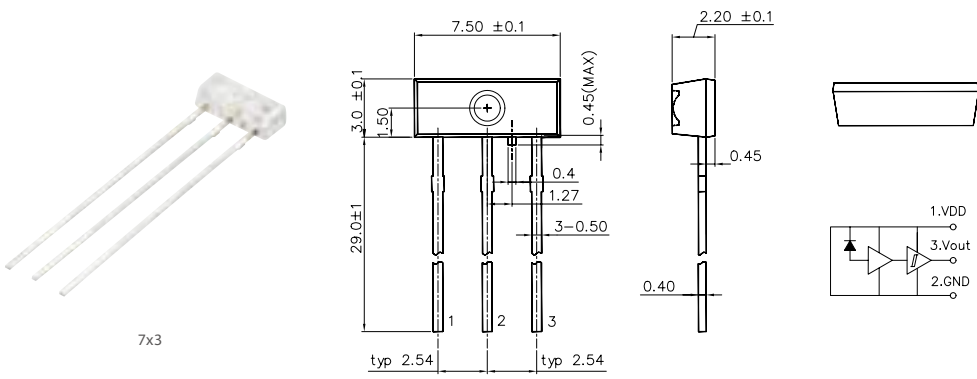
UV LED

Photolink_Transmitter



Part No.	Data Rate (Mbps)	Operating Voltage (V)		Fiber Coupling Light Output (dBm)		
		Min	Max	Min	Typ	Max
LTDL-TA25B	25	2.75	5.25	-21	-17	-15

Photolink_Transmitter

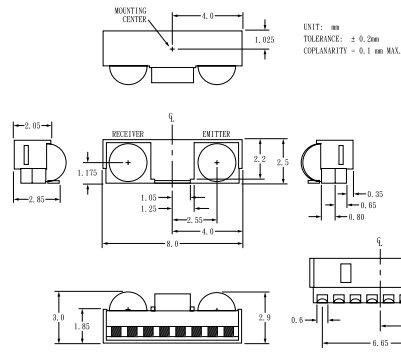


Part No.	Data Rate (Mbps)	Operating Voltage (V)		Input Sensitivity (dBm)	
		Min	Max	Min	Max
LTDL-RA16A	16	2.75	5.25	-27	-14
LTDL-RA25A	25	2.75	5.25	-24	-14

Infrared Transceiver



2.5 x 8.0 x 3.0 mm

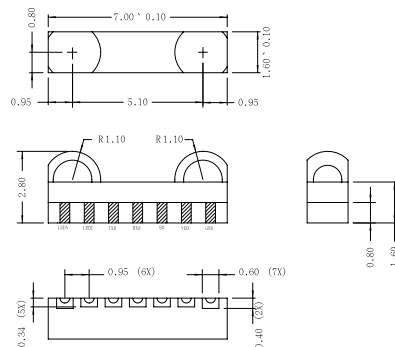


Part No.	Data Rate (kbit/s)	Package Dimension (H x W x D) (mm)	Link Distance (M)	Idle Current (mA)	Shutdown Current (nA)	Receiver Latency (uS)	Sypply Voltage (V)	Front	Top	Front (Shielded)
HSDL-3201-021	115.2	2.50 x 8.00 x 3.00	0 to 0.3	0.1	20	25	2.7 to 3.6	V		-
HSDL-3201-008	115.2	2.50 x 8.00 x 3.00	0 to 0.3	0.1	20	25	2.7 to 3.6		V	-

Infrared Transceiver



1.6 x 7.0 x 2.8 mm



Part No.	Data Rate (kbit/s)	Package Dimension (H x W x D) (mm)	Link Distance (M)	Idle Current (mA)	Shutdown Current (nA)	Receiver Latency (uS)	Sypply Voltage (V)	Front	Top	Front (Shielded)
HSDL-3208-025	115.2	1.60 x 7.00 x 2.80	0 to 0.3	0.1	1	70	2.7 to 3.6	V	-	-
HSDL-3208-S25	115.2	1.80 x 7.40 x 2.90	0 to 0.3	0.1	1	70	2.7 to 3.6	-	-	V

Flash LED

SMD LED

Through Hole Lamp

LED Display

Automotive LED

Signage LED

Lighting LED

Infrared Emitter and Detector

Optical Sensors

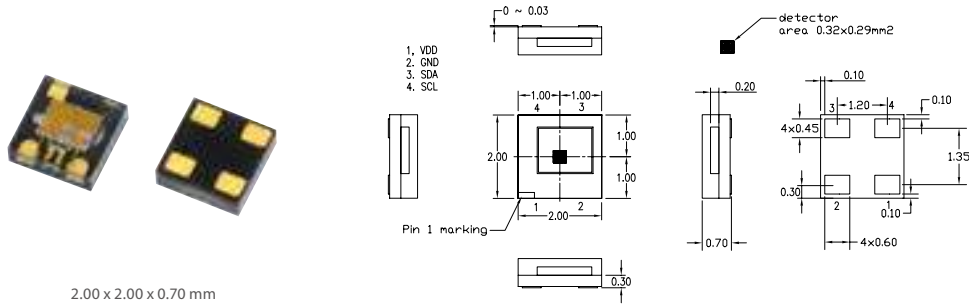
Photocoupler

UV LED



| Optical Sensor

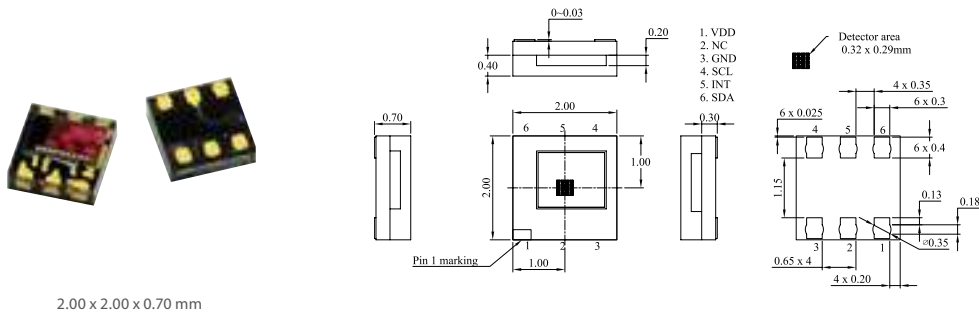
Ambient Light Sensor



2.00 x 2.00 x 0.70 mm

Part No.	Description	Package Type	Operating Temp (°C)	Supply Voltage (V)	Interface	Interrupt & Persist	DLS Full Scale ADC Count	Light Range
LTR-329ALS	Digital Light Sensor	ChipLED 4 pins	-30 to +70	2.4 to 3.6	I2C fast mode (400kbit/s)	No	16-bit ADC (linear)	0.01 lux to 64k lux

Ambient Light Sensor



2.00 x 2.00 x 0.70 mm

Part No.	Description	Package Type	Operating Temp (°C)	Supply Voltage (V)	Interface	Interrupt & Persist	DLS Full Scale ADC Count	Light Range
LTR-303ALS	Digital Light Sensor	ChipLED 6 pins	-30 to +70	2.4 to 3.6	I2C fast mode (400kbit/s)	Yes	16-bit ADC (linear)	0.01 lux to 64k lux

Flash LED

SMD LED

Through Hole Lamp

LED Display

Automotive LED

Signage LED

Lighting LED

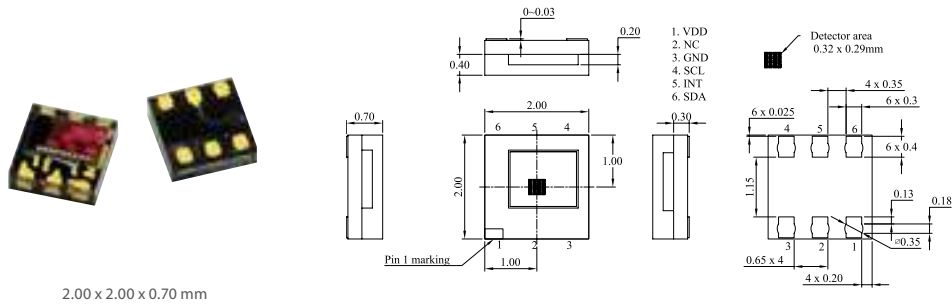
Infrared Emitter and Detector

Optical Sensors

Photocoupler

UV LED

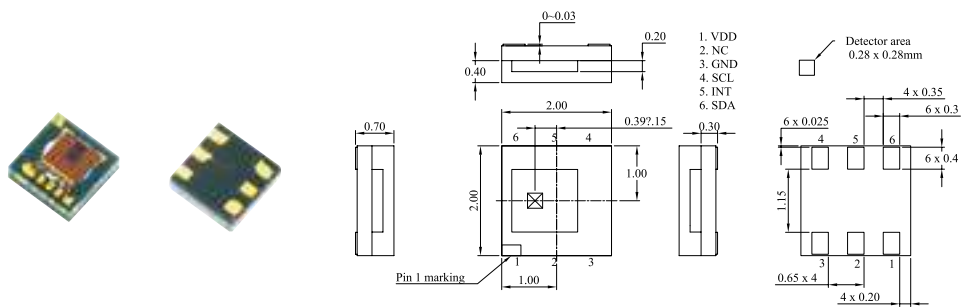
Ambient Light Sensor



2.00 x 2.00 x 0.70 mm

Part No.	Description	Package Type	Operating Temp (°C)	Supply Voltage (V)	Interface	Interrupt & Persist	DLS Full Scale ADC Count	Light Range
LTR-308ALS	Very Low Power Consumption Digital Light Sensor	ChipLED 6 pins	-40 to +85	1.7 to 3.6	I2C fast mode (400kbit/s)	Yes	Up to 20-bit ADC (linear)	0.01 lux to 157k lux

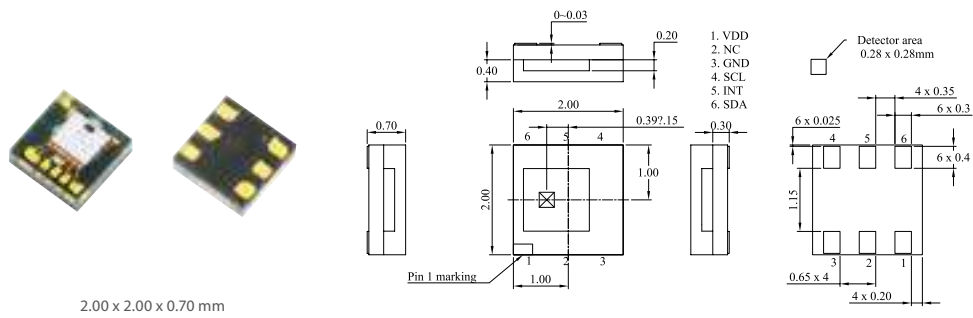
RGB Color Sensor



2.00 x 2.00 x 0.70 mm

Part No.	Description	Package Type	Operating Temp (°C)	Supply Voltage (V)	Interface	Interrupt & Persist	DLS Full Scale ADC Count	Light Range
LTR-380RGB	RGB Sensor + Digital Light Sensor	ChipLED 6 pins	-40 to +85	1.7 to 3.6	I2C fast mode (400kbit/s)	Yes	Up to 20-bit ADC (linear)	0.01 lux to 157k lux

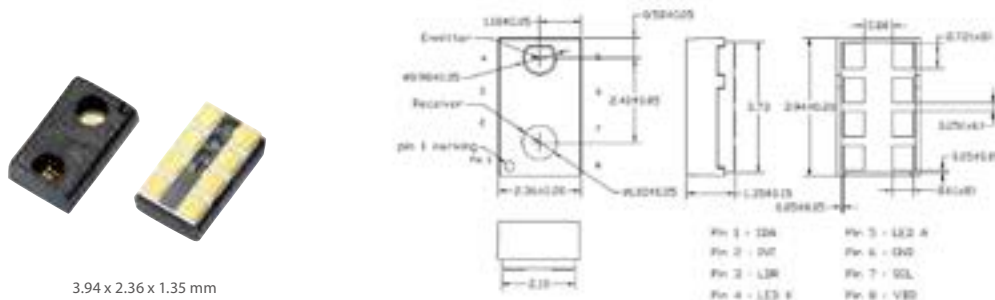
UV Sensor



2.00 x 2.00 x 0.70 mm

Part No.	Description	Package Type	Operating Temp (°C)	Supply Voltage (V)	Interface	Interrupt & Persist	DLS / UV Full Scale ADC Count	Light Range	UV Sensitivity (Count/UVI)
LTR-390UV	UV Sensor + Digital Light Sensor	ChipLED 6 pins	-40 to +85	1.7 to 3.6	I2C fast mode (400kbit/s)	Yes	Up to 20-bit ADC (linear)	0.01 lux to 157k lux	1400

Proximity Sensor



3.94 x 2.36 x 1.35 mm

Part No.	Description	Package Type	Operating Temp (°C)	Supply Voltage (V)	Interface	Interrupt & Persist	PS Full Scale ADC Count	Detection Range (mm)
LTR-659PS	Digital Proximity Sensor+ IR LED	ChipLED 8 pins	-30 to +70	2.4 to 3.6	I2C fast mode (400kbit/s)	Yes	11-bit ADC(linear)	0-100

Flash LED

SMD LED

Through Hole Lamp

LED Display

Automotive LED

Signage LED

Lighting LED

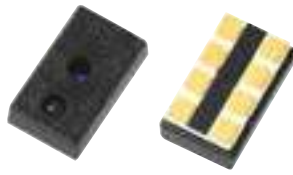
Infrared Emitter and Detector

Optical Sensors

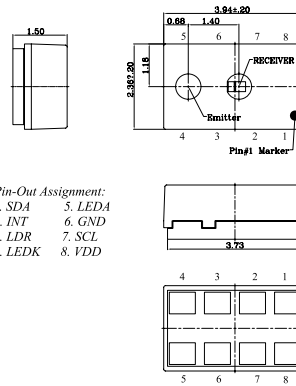
Photocoupler

UV LED

Proximity Sensor



3.94 x 2.36 x 1.50 mm



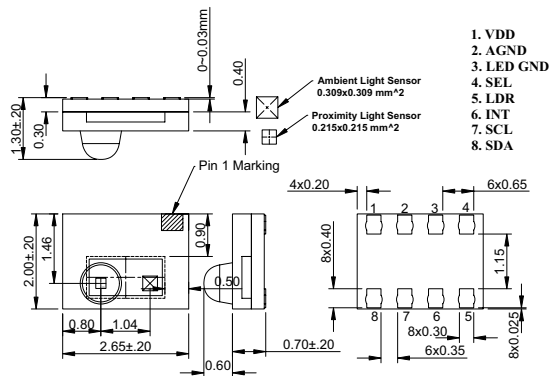
Pin-Out Assignment:
 1. SDA 5. LEDA
 2. INT 6. GND
 3. LDR 7. SCL
 4. LEDK 8. VDD

Part No.	Description	Package Type	Operating Temp (°C)	Supply Voltage (V)	Interface	Interrupt & Persist	PS Full Scale ADC Count	Detection Range (mm)
LTR-676PS	Digital Proximity Sensor+ IR LED (Small Window)	ChipLED 8 pins	-40 to +85	1.7 to 3.6	I2C fast mode (400kbit/s)	Yes	Up to 11-bit ADC(linear)	0-100

2-in-1 Integrated Sensor

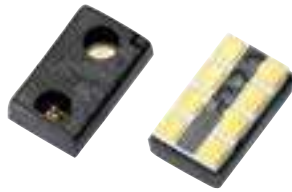


2.65 x 2.00 x 1.30 mm

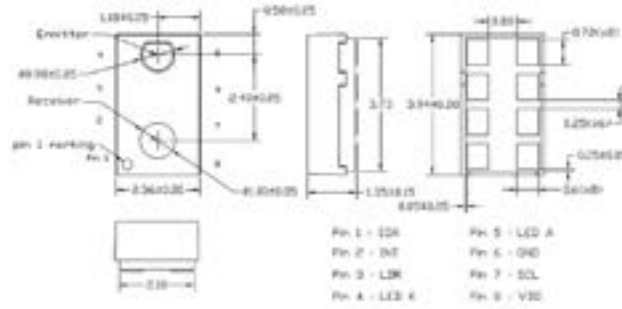


Part No.	Description	Package Type	Operating Temp (°C)	Supply Voltage (V)	Interface	Interrupt & Persist	DLS Full Scale ADC Count	Light Range	PS Full Scale ADC Count	Detection Range (mm)
LTR-507ALS	(2-in-1) Digital Light Sensor+Long Distance Proximity Sensor+LED Driver	ChipLED 8 pins	-40 to +85	2.4 to 3.6	I2C fast mode (400kbit/s)	Yes	Up to 20-bit ADC (linear)	0.01 lux to 64k lux	11-bit ADC(linear)	0-500

3-in-1 Integrated Sensor

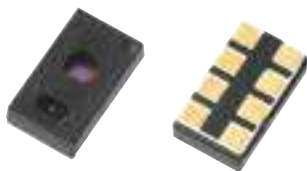


3.94 x 2.36 x 1.35 mm

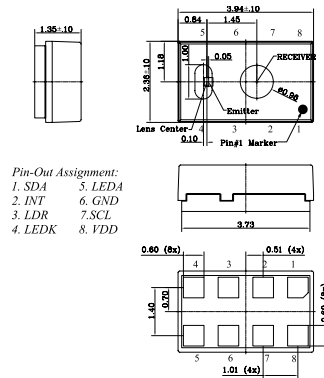


Part No.	Description	Package Type	Operating Temp (°C)	Supply Voltage (V)	Interface	Interrupt & Persist	DLS Full Scale ADC Count	Light Range	PS Full Scale ADC Count	Detection Range (mm)
LTR-559ALS	(3-in-1) Digital Light Sensor+Proximity Sensor+IR LED	ChipLED 8 pins	-30 to +70	2.4 to 3.6	I2C fast mode (400kbit/s)	Yes	16-bit ADC (linear)	0.01 lux to 64k lux	11-bit ADC(linear)	0-100

3-in-1 Integrated Sensor



3.94 x 2.36 x 1.35 mm



Part No.	Description	Package Type	Operating Temp (°C)	Supply Voltage (V)	Interface	Interrupt & Persist	DLS Full Scale ADC Count	Light Range	PS Full Scale ADC Count	Detection Range (mm)
LTR-578ALS	(3-in-1, Small Window, FOV = +/- \40deg) Digital Light Sensor+Proximity Sensor+IR LED	ChipLED 8 pins	-40 to +85	1.7 to 3.6	I2C fast mode (400kbit/s)	Yes	Up to 20-bit ADC (linear)	0.01 lux to 157k lux	Up to 11-bit ADC(linear)	0-100

Flash LED

SMD LED

Through Hole Lamp

LED Display

Automotive LED

Signage LED

Lighting LED

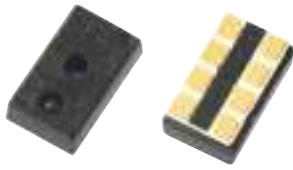
Infrared Emitter and Detector

Optical Sensors

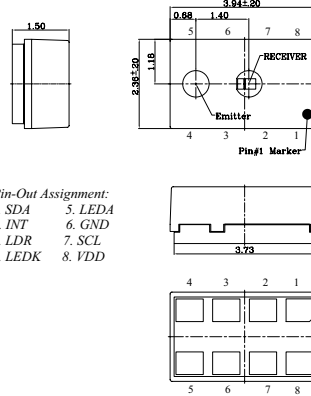
Photocoupler

UV LED

3-in-1 Integrated Sensor



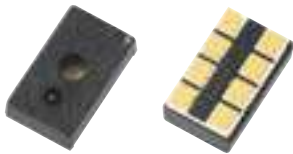
3.94 x 2.36 x 1.35 mm



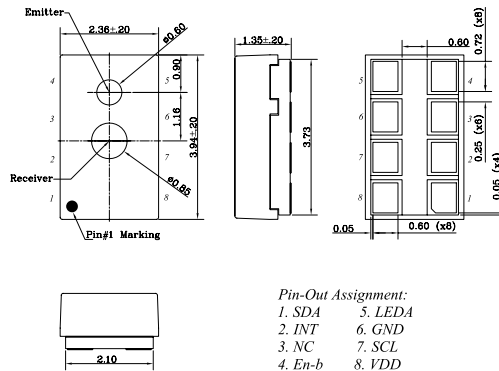
Pin-Out Assignment:
 1. SDA 5. LEDA
 2. INT 6. GND
 3. LDR 7. SCL
 4. LEDK 8. VDD

Part No.	Description	Package Type	Operating Temp (°C)	Supply Voltage (V)	Interface	Interrupt & Persist	DLS Full Scale ADC Count	Light Range	PS Full Scale ADC Count	Detection Range (mm)
LTR-579ALS	(3-in-1, Small Window, FOV = +/- 24deg) Digital Light Sensor+Proximity Sensor+IR LED	ChipLED 8 pins	-40 to +85	1.7 to 3.6	I2C fast mode (400kbit/s)	Yes	Up to 20-bit ADC (linear)	0.01 lux to 157k lux	Up to 11-bit ADC (linear)	0-100

3-in-1 Integrated Sensor



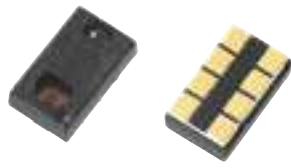
3.94 x 2.36 x 1.35 mm



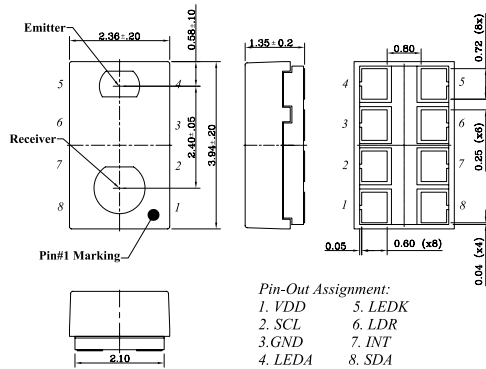
Pin-Out Assignment:
 1. SDA 5. LEDA
 2. INT 6. GND
 3. NC 7. SCL
 4. En-b 8. VDD

Part No.	Description	Package Type	Operating Temp (°C)	Supply Voltage (V)	Interface	Interrupt & Persist	DLS Full Scale ADC Count	Light Range	PS Full Scale ADC Count	Detection Range (mm)
LTR-778ALS	(3-in-1, Small Window, FOV = +/- 36deg) Digital Light Sensor+Proximity Sensor+VCSEL	ChipLED 8 pins	-30 to +70	2.7 to 3.6	I2C fast mode (400kbit/s)	Yes	16-bit ADC (linear)	0.005 lux to 12k lux	11-bit ADC (linear)	0-100

4-in-1 Integrated Sensor



3.94 x 2.36 x 1.35 mm

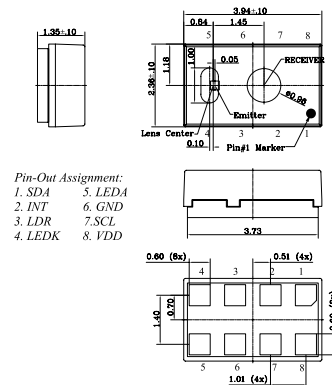


Part No.	Description	Package Type	Operating Temp (°C)	Supply Voltage (V)	Interface	Interrupt & Persist	DLS Full Scale ADC Count	Light Range	PS Full Scale ADC Count	Detection Range (mm)
LTR-580RGB	RGB Sensor+ Digital Light Sensor+ Proximity Sensor+ IR LED	ChipLED 8 pins	-40 to +85	1.7 to 3.6	I2C fast mode (400kbit/s)	Yes	Up to 20-bit ADC (linear)	0.01 lux to 157k lux	Up to 11-bit ADC (linear)	0-100

4-in-1 Integrated Sensor



3.94 x 2.36 x 1.35 mm



Part No.	Description	Package Type	Operating Temp (°C)	Supply Voltage (V)	Interface	Interrupt & Persist	DLS Full Scale ADC Count	Light Range	PS Full Scale ADC Count	Detection Range (mm)
LTR-588RGB	RGB Sensor+ Digital Light Sensor + Proximity Sensor + IR LED (Small Window)	ChipLED 8 pins	-40 to +85	1.7 to 3.6	I2C fast mode (400kbit/s)	Yes	Up to 20-bit ADC (linear)	0.01 lux to 157k lux	Up to 11-bit ADC (linear)	0-100

Flash LED

SMD LED

Through Hole Lamp

LED Display

Automotive LED

Signage LED

Lighting LED

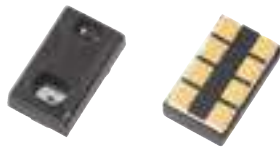
Infrared Emitter and Detector

Optical Sensors

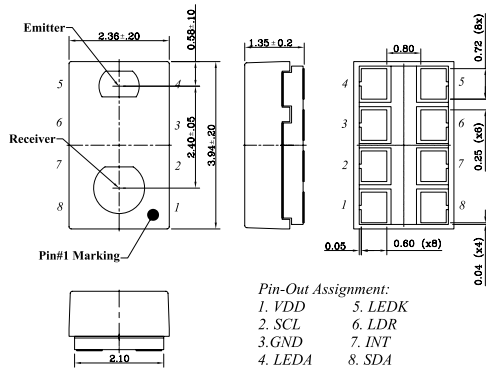
Photocoupler

UV LED

4-in-1 Integrated Sensor

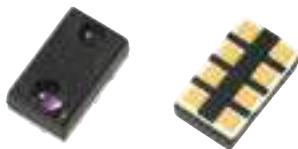


3.94 x 2.36 x 1.35 mm

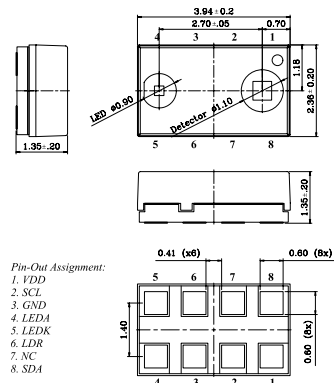


Part No.	Description	Package Type	Operating Temp (°C)	Supply Voltage (V)	Interface	Interrupt & Persist	DLS Full Scale ADC Count	Light Range	PS Full Scale ADC Count	Detection Range (mm)
LTR-590UV	UV Sensor+ Digital Light Sensor + Proximity Sensor + IR LED	ChipLED 8 pins	-40 to +85	1.7 to 3.6	I2C fast mode (400kbit/s)	Yes	Up to 20-bit ADC (linear)	0.01 lux to 157k lux	Up to 11-bit ADC (linear)	0-100

Gesture Integrated Sensor



3.94 x 2.36 x 1.35 mm

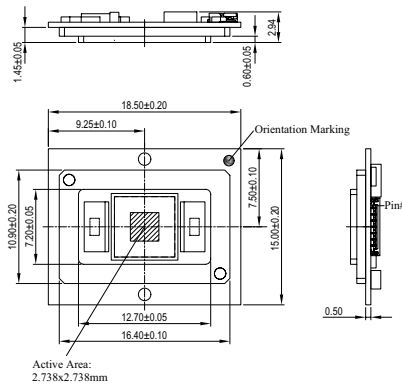


Part No.	Description	Package Type	Operating Temp (°C)	Supply Voltage (V)	Interface	Interrupt & Persist	DLS Full Scale ADC Count	Light Range	PS Full Scale ADC Count	Detection Range (mm)
LTR-91400	Gesture Sensor + Digital Light Sensor + Proximity Sensor + IR LED	ChipLED 8 pins	-30 to +70	2.4 to 3.6	I2C fast mode (400kbit/s)	Yes	16-bit ADC (linear)	0.01 lux to 64k lux	PS: 11-bit ADC (linear) GS: 8-bit ADC (linear)	0-100

Heart Rate Monitoring Sensor



18.50 x 15.00 x 2.90 mm

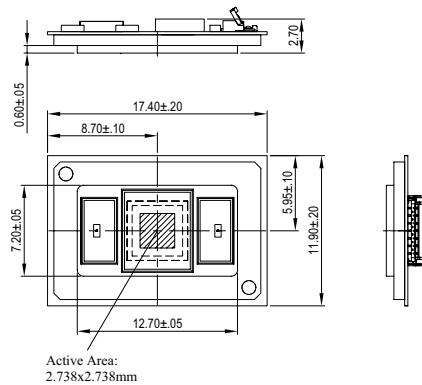


Part No.	Description	Package Type	No of Pins	Operating Temp (°C)	Supply Voltage (V)	Supply Current (mA), Typ @25Hz	Standby Current (uA), Typ	Interface	Emitter Sensitivity
LTR-800HR	AFE Integrated Optical HRM Sensor	FPC connector	12	-20 to +85	3.0 to 3.6	0.76	5	I2C fast mode (400kbit/s)	Green (525nm)

Heart Rate Monitoring Sensor



17.40 x 11.90 x 2.70 mm



Part No.	Description	Package Type	No of Pins	Operating Temp (°C)	Supply Voltage (V)	Supply Current (mA), Typ @25Hz	Standby Current (uA), Typ	Interface	Emitter Sensitivity
LTR-801HR	AFE + Accelerometer Integrated Optical HRM Sensor (Slim Package)	FPC connector	12	-20 to +85	3.0 to 3.6	0.76	5	I2C fast mode (400kbit/s)	Green (525nm)

Flash LED

SMD LED

Through Hole Lamp

LED Display

Automotive LED

Signage LED

Lighting LED

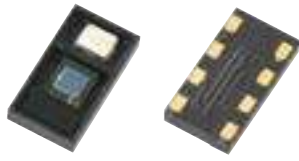
Infrared Emitter and Detector

Optical Sensors

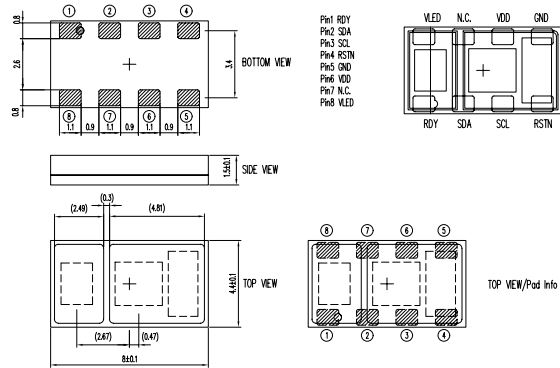
Photocoupler

UV LED

Heart Rate Monitoring Sensor

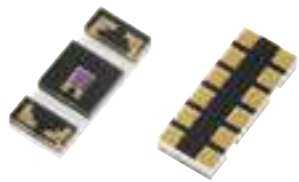


8.0 x 2.6 x 1.35 mm

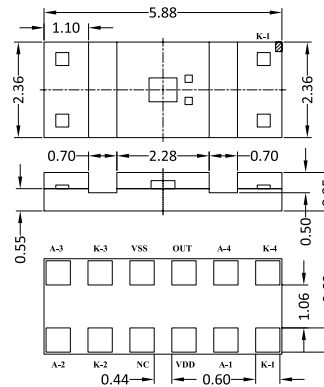


Part No.	Description	Package Type	No of Pins	Operating Temp (°C)	Supply Voltage (V)	Supply Current (mA), Typ @25Hz	Standby Current (uA), Typ	Interface	Emitter Sensitivity
LTR-806HR	AFE Integrated Optical HRM Sensor	SMT	6	-20 to +85	3.0 to 3.6	0.95	5	I2C fast mode (400kbit/s)	Green (525nm)

Heart Rate Monitoring Sensor

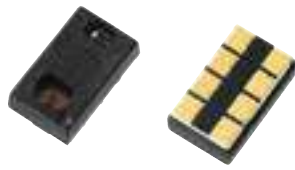


5.88 x 2.36 x 0.95 mm

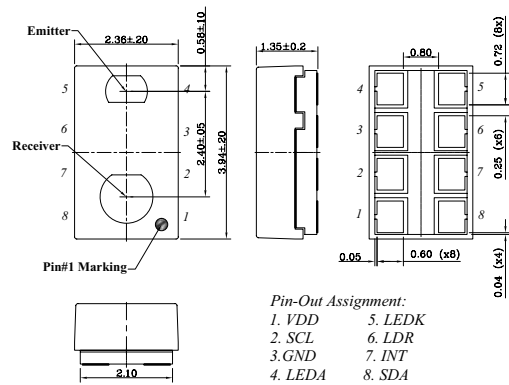


Part No.	Description	Package Type	No of Pins	Operating Temp (°C)	Supply Voltage (V)	Supply Current (mA), Typ @25Hz	Standby Current (uA), Typ	Interface	Emitter Sensitivity
LTR-810HR	Fully Integrated Analog Optical HRM Sensor with 4 Emitters	SMT	12	-20 to +85	1.5 to 5.5	N.A.	N.A.	Analog Output	Green (525nm)

Heart Rate Monitoring Sensor

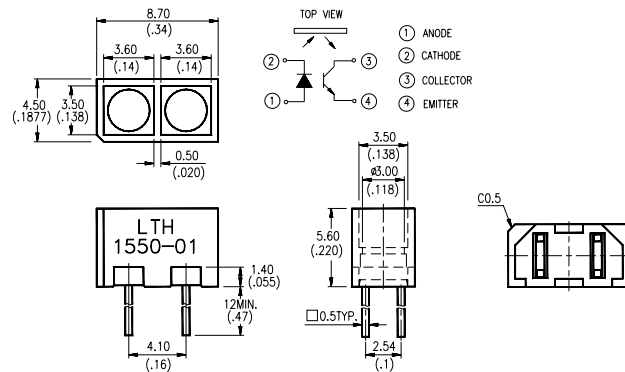


3.96 x 2.36 x 1.35 mm



Part No.	Description	Package Type	No of Pins	Operating Temp (°C)	Supply Voltage (V)	Supply Current (mA), Typ @25Hz	Standby Current (uA), Typ	Interface	Emitter Sensitivity
LTR-820HR	Ultra Small Chipped Package Optical HRM Sensor	SMT	8	-40 to +85	1.7 to 3.6	N.A.	N.A.	I2C fast mode (400kbit/s)	IR (940nm)

Reflective Sensor



Part No.	Features	Focal Distance (mm)	Ic Min.(uA) @I _f =20mA /V _{CE} =5V
LTH-1550-01	Phototransistor output, PCB mounting	3.5	200

Flash LED

SMD LED

Through Hole Lamp

LED Display

Automotive LED

Signage LED

Lighting LED

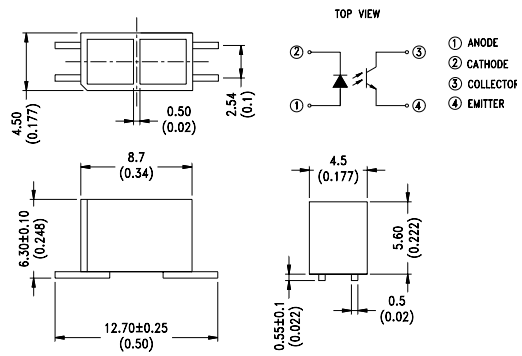
Infrared Emitter and Detector

Optical Sensors

Photocoupler

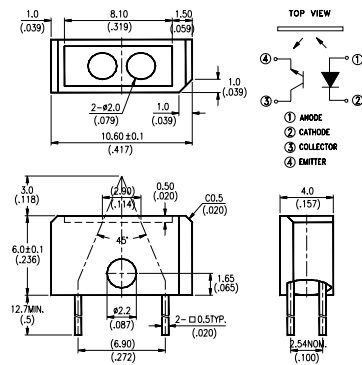
UV LED

Reflective Sensor



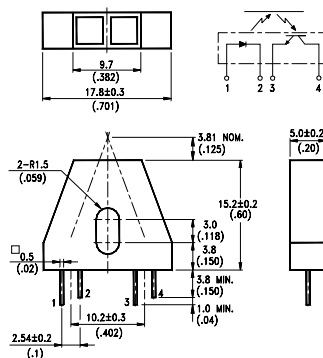
Part No.	Features	Focal Distance (mm)	Ic Min.(uA) @I _F =20mA /V _{CE} =5V
LTH-1550-06	Lead bends for surface mounting	3.5	750

Reflective Sensor



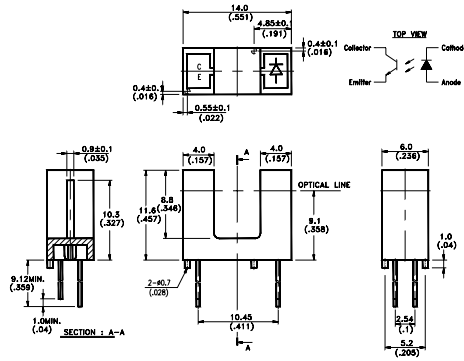
Part No.	Features	Focal Distance (mm)	Ic Min.(uA) @I _F =20mA /V _{CE} =5V
LTH-1650-01	Phototransistor output, PCB mounting	3	100

Reflective Sensor



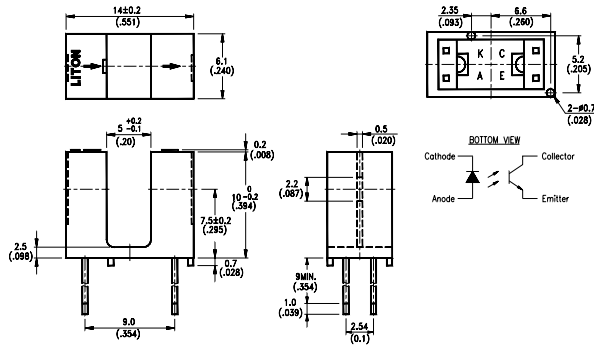
Part No.	Features	Focal Distance (mm)	Ic Min.(uA)@I _F =20mA /V _{CE} =5V
LTH-209-01	Phototransistor output, PCB mounting	3.81	160

Transmissive Sensor_Slotted Type



Part No.	Features	Lead Distance (mm)	Emitting and Detecting Gap (mm)	Ic Min.(mA)@I _F =20mA /V _{CE} =5V
LTH-301-05	Phototransistor output, PCB mounting type. With positioning pin	10.45	6	0.5

Transmissive Sensor_Slotted Type



Part No.	Features	Lead Distance (mm)	Emitting and Detecting Gap (mm)	Ic Min.(mA)@I _F =20mA /V _{CE} =5V
LTH-301-07	Phototransistor output, PCB mounting type. With positioning pin	9	5	0.6

Flash LED

SMD LED

Through Hole Lamp

LED Display

Automotive LED

Signage LED

Lighting LED

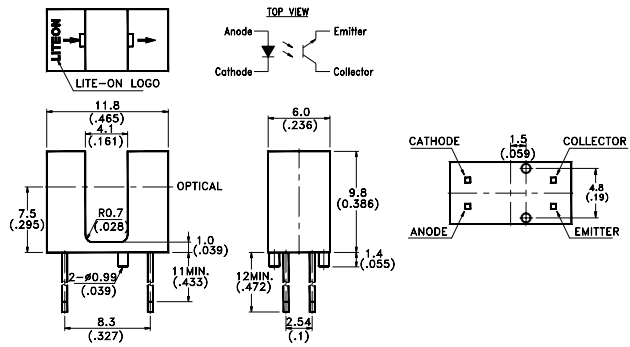
Infrared Emitter and Detector

Optical Sensors

Photocoupler

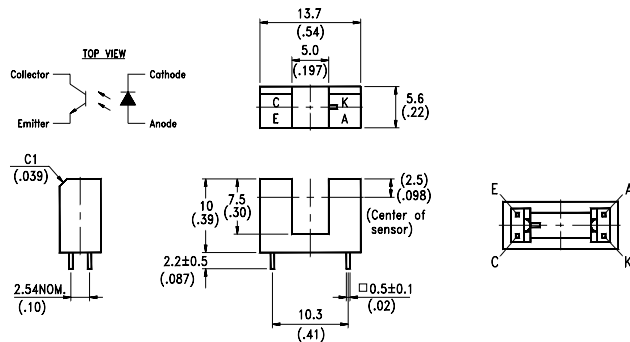
UV LED

Transmissive Sensor_Slotted Type



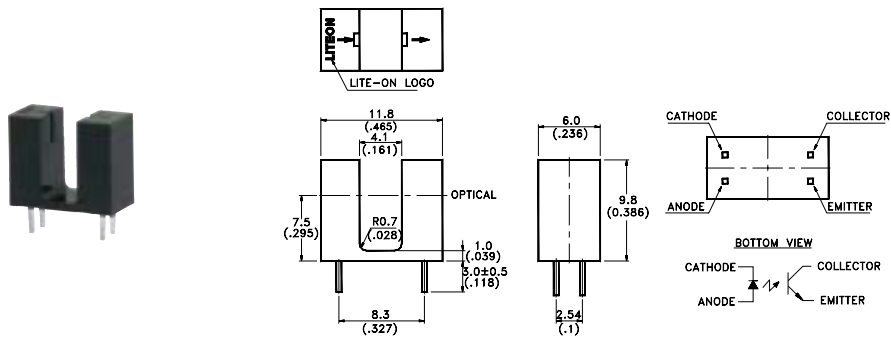
Part No.	Features	Lead Distance (mm)	Emitting and Detecting Gap (mm)	Ic Min.(uA)@I _F =1.4mA /V _{CE} =3.3V
LTH-301-19	Phototransistor output, PCB mounting type. With positioning pin	8.3	4.1	70

Transmissive Sensor_Slotted Type



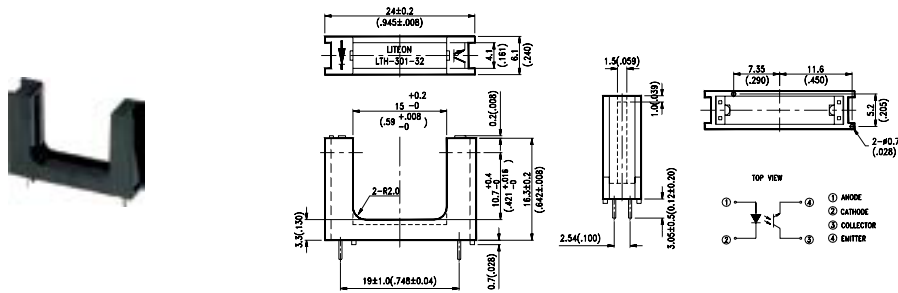
Part No.	Features	Lead Distance (mm)	Emitting and Detecting Gap (mm)	Ic Min.(mA)@I _F =20mA /V _{CE} =5V
LTH-301-23	Phototransistor output, PCB mounting type.	10.3	5	0.4

Transmissive Sensor_Slotted Type



Part No.	Features	Lead Distance (mm)	Emitting and Detecting Gap (mm)	Ic Min.(mA)@I _f =20mA /V _{CE} =5V
LTH-301-27P1	Phototransistor output, PCB mounting type	8.3	4.1	1.5

Transmissive Sensor_Slotted Type



Part No.	Features	Lead Distance (mm)	Emitting and Detecting Gap (mm)	Ic Min.(mA)@I _f =20mA /V _{CE} =5V
LTH-301-32	Phototransistor output, PCB mounting type. With positioning pin, Wide gap	19	15	0.6

Flash LED

SMD LED

Through Hole Lamp

LED Display

Automotive LED

Signage LED

Lighting LED

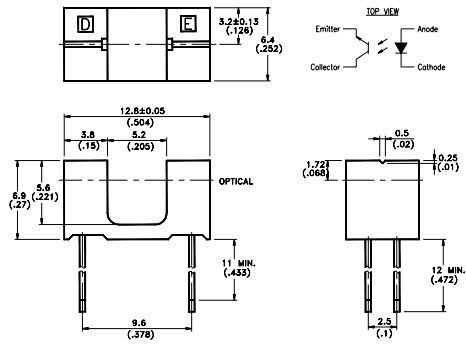
Infrared Emitter and Detector

Optical Sensors

Photocoupler

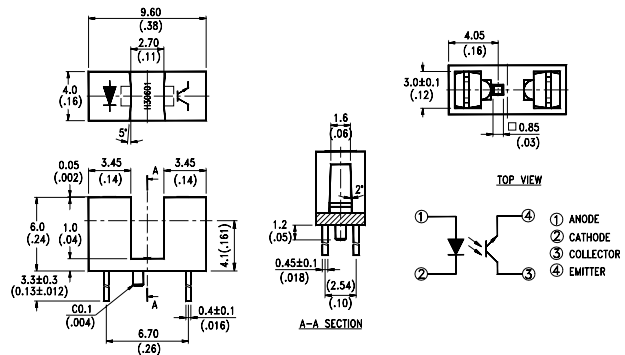
UV LED

Transmissive Sensor_Slotted Type



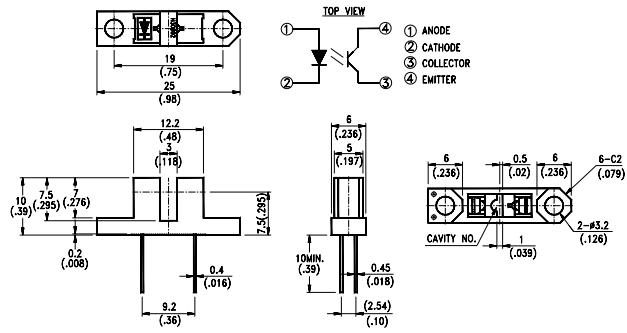
Part No.	Features	Lead Distance (mm)	Emitting and Detecting Gap (mm)	Ic Min.(mA)@I _F =20mA /V _{CE} =5V
LTH-301A	Phototransistor output, PCB mounting type	9.6	5.2	0.5

Transmissive Sensor_Slotted Type



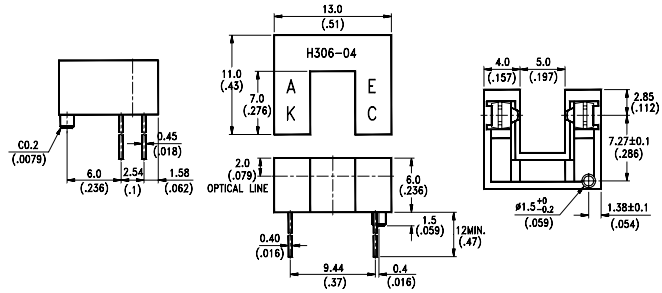
Part No.	Features	Lead Distance (mm)	Emitting and Detecting Gap (mm)	Ic Min.(mA)@I _F =20mA /V _{CE} =5V
LTH-306-01	Phototransistor output, PCB mounting type. With positioning pin	6.7	2.7	5

Transmissive Sensor_Slotted Type



Part No.	Features	Lead Distance (mm)	Emitting and Detecting Gap (mm)	Ic Min.(mA)@I _F =20mA /V _{CE} =5V
LTH-306-02	Phototransistor output, Both PCB and screw mounting type	9.2	3	0.5

Transmissive Sensor_Slotted Type



Part No.	Features	Lead Distance (mm)	Emitting and Detecting Gap (mm)	Ic Min.(mA)@I _F =20mA /V _{CE} =5V
LTH-306-04	Phototransistor output, PCB mounting type. With positioning pin	9.44	5	0.5

Flash LED

SMD LED

Through Hole Lamp

LED Display

Automotive LED

Signage LED

Lighting LED

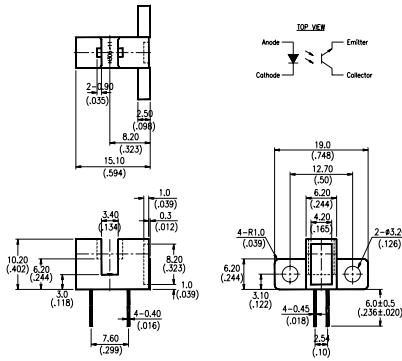
Infrared Emitter and Detector

Optical Sensors

Photocoupler

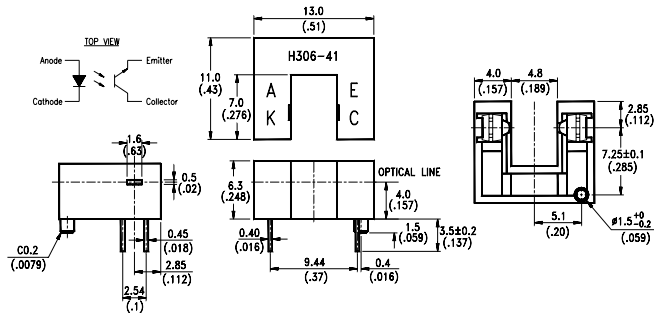
UV LED

Transmissive Sensor_Slotted Type



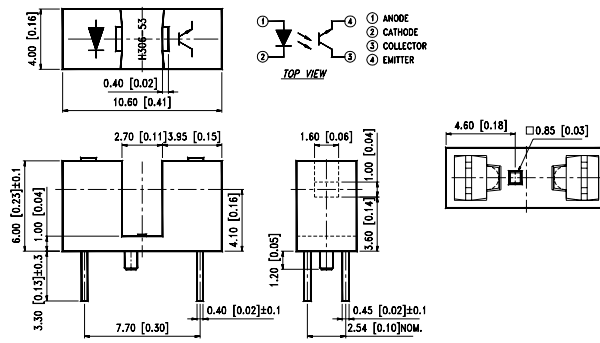
Part No.	Features	Lead Distance (mm)	Emitting and Detecting Gap (mm)	Ic Min.(mA)@I _F =20mA /V _{CE} =5V
LTH-306-11	Phototransistor output, Both PCB and screw mounting type	7.6	3.4	1

Transmissive Sensor_Slotted Type



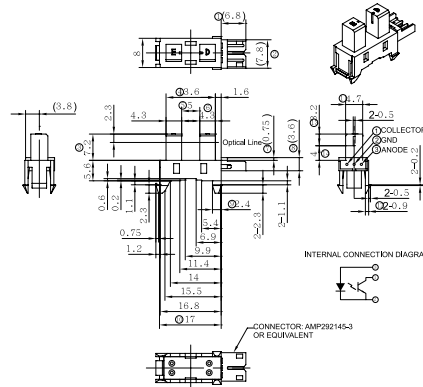
Part No.	Features	Lead Distance (mm)	Emitting and Detecting Gap (mm)	Ic Min.(mA)@I _F =20mA /V _{CE} =5V
LTH-306-41P1	Phototransistor output, PCB mounting type. With positioning pin, and horizontal optical slit.	9.44	4.8	1.5

Transmissive Sensor_Slotted Type



Part No.	Features	Lead Distance (mm)	Emitting and Detecting Gap (mm)	I _c Min.(mA)@I _F =20mA /V _{CE} =5V
LTH-306-53P1	Phototransistor output, PCB mounting type. With positioning pin	7.7	2.7	1.2

Transmissive Sensor_Slotted Type



Part No.	Features	Emitting and Detecting Gap (mm)	I _c Min.(mA)@I _F =20mA /V _{CE} =5V
LTH-306-64	Phototransistor output, Snap PCB mounting. With a built-in connector	5	0.5

Flash LED

SMD LED

Through Hole Lamp

LED Display

Automotive LED

Signage LED

Lighting LED

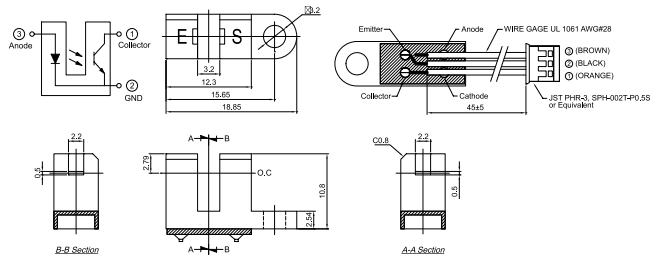
Infrared Emitter and Detector

Optical Sensors

Photocoupler

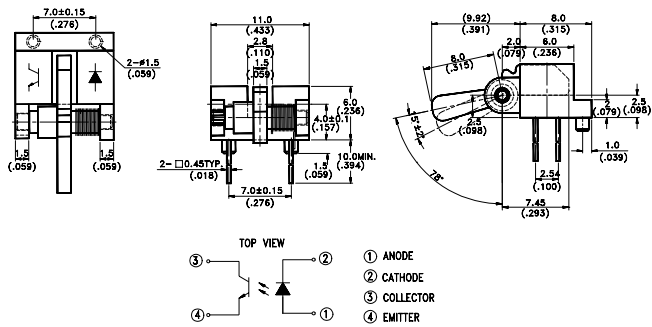
UV LED

Transmissive Sensor_Slotted Type



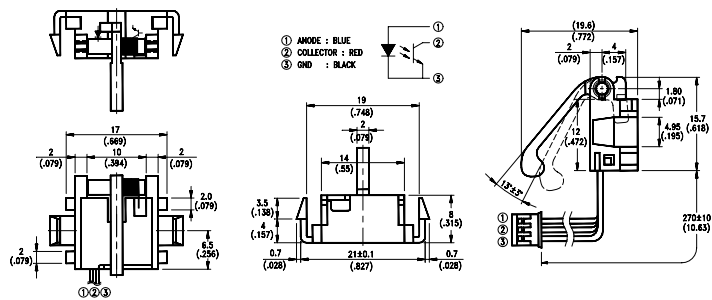
Part No.	Features	Wire Length (mm)	Emitting and Detecting Gap (mm)	Ic Min.(mA)@I _f =20mA /V _{CE} =5V
LTH-301-45W2	Phototransistor output, PCB mounting type. With positioning pin, Horizontal slit	45±5	3.2	0.5

Transmissive Sensor_Actuator Type



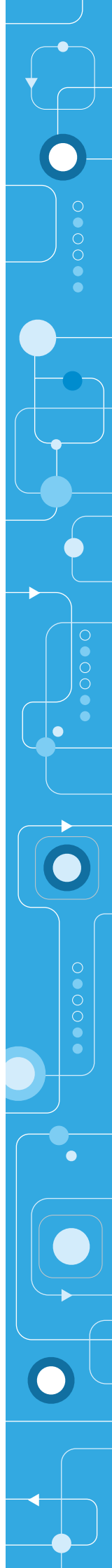
Part No.	Features	Action Angle	Lead Distance (mm)	Ic Min.(mA)@I _f =20mA /V _{CE} =5V
LTH-306-09P1	With Flag, Phototransistor output, PCB mounting type	15±2°	7	0.5

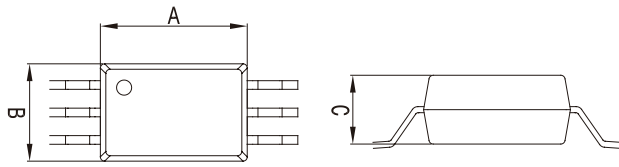
Transmissive Sensor_Actuator Type






















Part No.	Features	Action Angle	Wire Length (mm)	Ic Min.(mA)@I _f =20mA /V _{CE} =5V
LTH-306-06W1	With Flag, wire and connector, Phototransistor output, Snapin mounting	8±3°	270±10	0.5

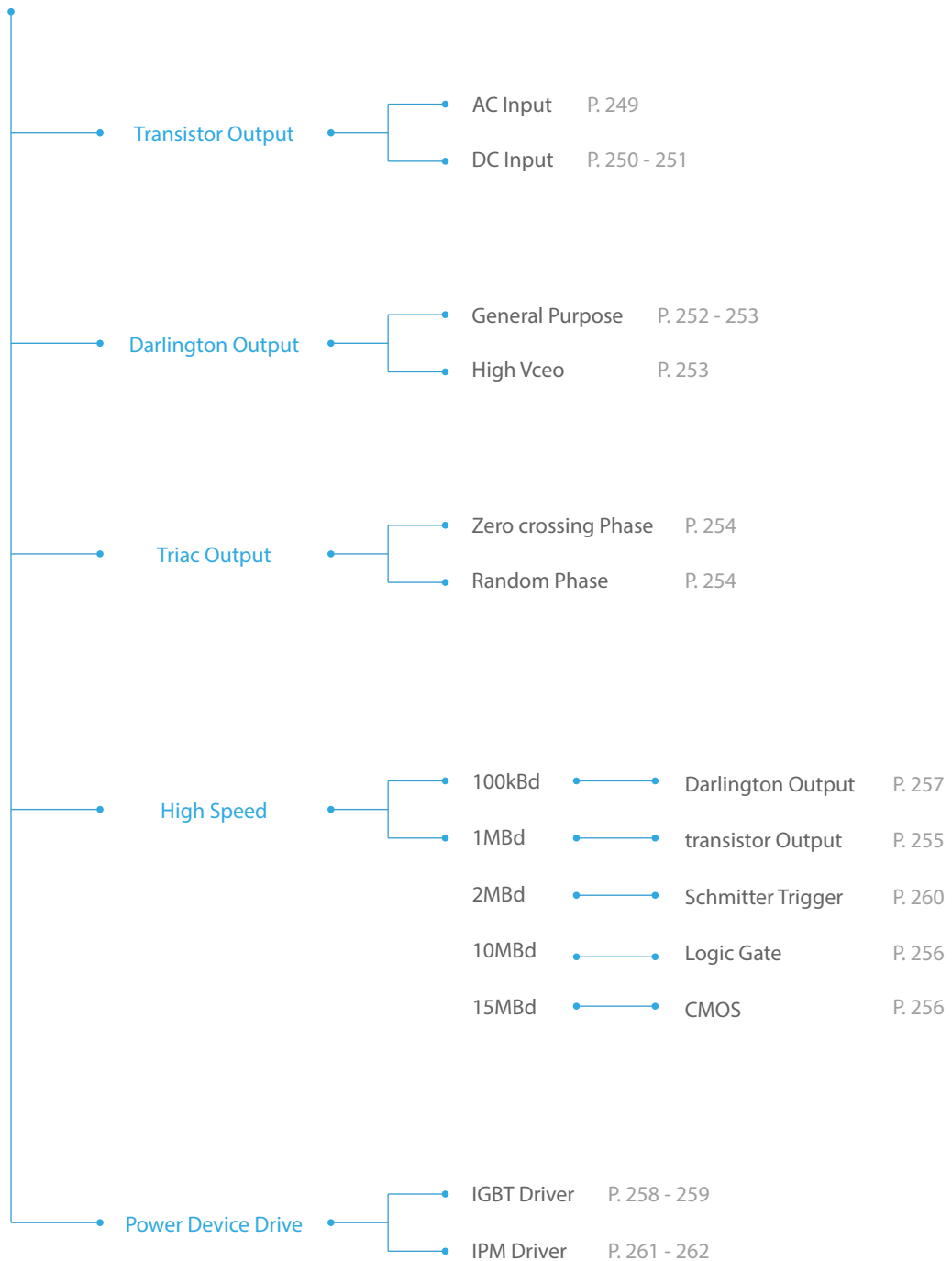
| Photocoupler





	package	size A x B x C
    DIP4 DIP4-M DIP4-S DIP4-S2 option	DIP4	6.5 x 4.6 x 3.5
 DIP6	DIP6	6.5 x 7.3 x 3.5
   DIP8 DIP8-S2 option DIP7-SSR	DIP8	6.5 x 9.68 x 3.5
 DIP16	DIP16	6.5 x 19.84 x 3.5
 SOP4	SOP4	4.4 x 3.85 x 2.0
 SOP5	SOP5	4.4 x 3.6 x 2.3
 SOP8	SOP8	3.91 x 5.84 x 3.18
 LSOP4	LSOP4	7.5 x 3.8 x 2.0
   LSOP5 LSOP6-P type LSOP6-W type	LSOP6	6.81 x 4.5 x 3.18
 SSOP4	SSOP4	4.4 x 2.6 x 2.0
 SSOP8	SSOP8	4.4 x 5.2 x 2.0
 SSOP16	SSOP16	4.4 x 10.28 x 2.0

Photocoupler package



Flash LED

SMD LED

Through Hole Lamp

LED Display

Automotive LED

Signage LED

Lighting LED

Infrared Emitter and Detector

Optical Sensors

Photocoupler

UV LED

General Purpose Phototransistor Photocoupler

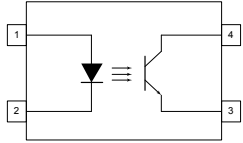
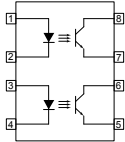
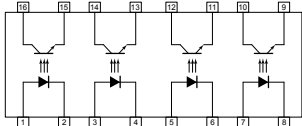
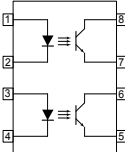
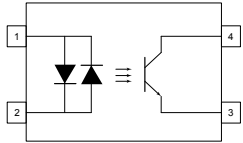
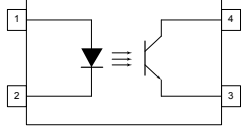
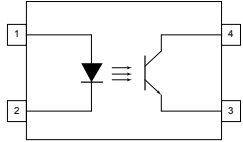
A general purpose Photocoupler is the most common and preferred choice for providing isolated feedback in a regulation loop. They are available in 1-channel, 2-channel and 4-channel, both DC and AC inputs, to suit the requirements of multiple isolation such as interfaces between logic circuits.

Application

- ◆ Ground loop elimination
- ◆ Interface between logic circuits
- ◆ Level shifting
- ◆ Regulation feedback circuits in SMPS



Part No.	Device	Feature	Package	Viso (Vrms)	Vceo(V) min.	CTR min(%)	CTR max(%)	I _F (mA)
LTV-214		AC input, High Vceo	SSOP4	3750	80	20	400	±1
LTV-224		AC input, 2 Channels, High Vceo	SSOP8	3750	80	20	400	±1
LTV-244		AC input, 4 Channels, High Vceo	SSOP16	3750	80	20	400	±1
LTV-814		AC input	DIP4	5000	35	20	300	±1
LTV-824		AC input, 2 Channels	DIP8	5000	35	20	300	±1
LTV-844		AC input, 4 Channels	DIP16	5000	35	20	300	±1
LTV-733		AC input, With Base Connection	DIP6	5000	35	20	-	±1

Part No.	Device	Feature	Package	Viso (Vrms)	Vceo(V) min.	CTR min(%)	CTR max(%)	I _f (mA)
LTV-217		DC input, High Vceo	SSOP4	3750	80	80	600	5
LTV-227		DC input, 2 Channels, High Vceo	SSOP8	3750	80	80	600	5
LTV-247		DC input, 4 Channels, High Vceo	SSOP16	3750	80	80	600	5
LTV-200		DC input, 2 Channels, High Vceo	SOP8	3750	80	20	320	10
LTV-205				3750	80	40	80	10
LTV-206				3750	80	63	125	10
LTV-207				3750	80	100	200	10
LTV-208				3750	80	160	320	10
LTV-354T		AC input	SOP4	3750	35	20	400	±1
LTV-358T		DC input, Very High Vceo	SOP4	3750	120	80	400	5
LTV-356T		DC input, High Vceo	SOP4	3750	80	50	600	5
LTV-357T		DC input	SOP4	3750	35	50	600	5
LTV-1000		DC input, High Vceo, Creepage distance >8mm	LSOP4	5000	70	50	600	5
LTV-1001				5000	70	100	160	5
LTV-1002				5000	70	22 63	125	1 10
LTV-1003				5000	70	34 100	200	1 10
LTV-1004				5000	70	100	200	5
LTV-1005				5000	70	50	150	5
LTV-1006				5000	70	100	300	5
LTV-1007				5000	70	80	160	5
LTV-1008				5000	70	130	260	5
LTV-1009				5000	70	200	400	5
LTV-1010				5000	70	150	300	5
LTV-1014				5000	70	56 160	320	1 10
LTV-1018				5000	70	100	200	1
LTV-1019				5000	70	250	500	5

Flash LED
SMD LED
Through Hole Lamp
LED Display
Automotive LED
Signage LED
Lighting LED
Infrared Emitter and Detector
Optical Sensors
Photocoupler
UV LED

General Purpose Phototransistor Photocoupler

Part No.	Device	Feature	Package	Viso (Vrms)	Vceo(V) min.	CTR min(%)	CTR max(%)	I _c (mA)
LTV-1100		DC input, High V _{ceo} , Creepage distance >8mm	LSOP5	5000	70	50	600	5
LTV-1101				5000	70	100	160	5
LTV-1102				5000	70	22 63	125	1 10
LTV-1103				5000	70	34 100	200	1 10
LTV-1104				5000	70	100	200	5
LTV-1105				5000	70	50	150	5
LTV-1106				5000	70	100	300	5
LTV-1107				5000	70	80	160	5
LTV-1108				5000	70	130	260	5
LTV-1109				5000	70	200	400	5
LTV-816		DC input, High V _{ceo}	DIP4	5000	80	50	600	5
LTV-817		DC input	DIP4	5000	35	50	600	5
LTV-826		DC input, 2 Channels, High V _{ceo}	DIP8	5000	80	50	600	5
LTV-827		DC input, 2 Channels	DIP8	5000	35	50	600	5
LTV-846		DC input, 4 Channels, High V _{ceo}	DIP16	5000	80	50	600	5
LTV-847		DC input, 4 Channels	DIP16	5000	35	50	600	5
LTV-851		DC input, Very High V _{ceo}	DIP4	5000	300	40	-	5
4N25		DC input, With Base Connection	DIP6	2500	30	20	-	10
4N26				1500	30	20	-	10
4N27				1500	30	10	-	10
4N28				500	30	10	-	10
4N35				3550	30	100	-	10
4N37				1500	30	100	-	10
CNY17-1				5000	70	40	80	10
CNY17-2				5000	70	63	125	10
CNY17-3				5000	70	100	200	10
CNY17-4				5000	70	160	320	10
LTV-702V	5000	70	40	320	10			
CNY17F-1		DC input Without Base Connection	DIP6	5000	70	40	80	10
CNY17F-2				5000	70	63	125	10
CNY17F-3				5000	70	100	200	10
CNY17F-4				5000	70	160	320	10
LTV-702F				5000	70	40	320	10

Darlington Transistor Output Photocoupler

These photocouplers provide a very high current transfer ratio from a low input forward current. In addition, they are available in DC and AC inputs by DIP package as well as 2.0mm profile (mini-flat) package to increase designers' options. High input-output isolation voltage and high collector-emitter voltage also add to the benefits for many power distribution applications.

Application

- ◆ Hybrid substrates that require high density mounting
- ◆ Telephone sets
- ◆ Copiers, facsimiles
- ◆ Interfaces with various power supply circuits, power distribution boards



Part No.	Device	Feature	Package	Viso (Vrms)	Vceo(V) min.	CTR min(%)	CTR max(%)	I _f (mA)
LTV-215		DC input	SSOP4	3750	40	200	-	1
LTV-245		DC input, 4 Channels	SSOP16	3750	40	200	-	1
LTV-355T		DC input	SOP4	3750	35	600	7500	1
LTV-815		DC input	DIP4	5000	35	600	7500	1
LTV-825		DC input, 2 Channels	DIP8	5000	35	600	7500	1
LTV-845		DC input, 4 Channels	DIP16	5000	35	600	7500	1

Flash LED

SMD LED

Through Hole Lamp

LED Display

Automotive LED

Signage LED

Lighting LED

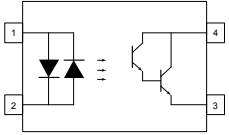
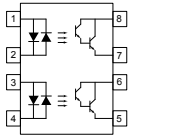
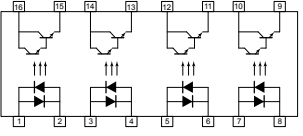
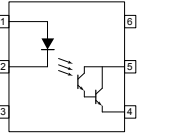
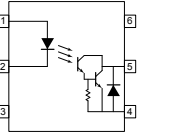
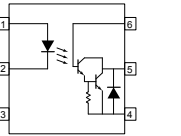
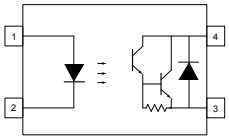
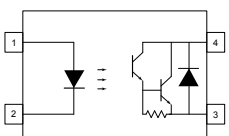
Infrared Emitter and Detector

Optical Sensors

Photocoupler

UV LED

Darlington Transistor Output Photocoupler

Part No.	Device	Feature	Package	Viso (Vrms)	Vceo(V) min.	CTR min(%)	CTR max(%)	I _f (mA)
LTV-8141		AC input	DIP4	5000	35	600	7500	±1
LTV-8241		AC input, 2 Channels	DIP4	5000	35	600	7500	±1
LTV-8441		AC input, 4 Channels	DIP4	5000	35	600	7500	±1
LTV-715F		DC input Without Base Connection	DIP6	5000	35	600	7500	1
LTV-725F		DC input, Very High Vceo With Base Connection	DIP6	5000	300	1000	15000	1
LTV-725V		DC input, Very High Vceo With Base Connection	DIP6	5000	300	1000	15000	1
LTV-352T		DC input, High Vceo	SOP4	3750	300	1000	-	1
LTV-852		DC input, High Vceo	DIP4	5000	300	1000	15000	1

Triac Output Photocoupler

Triac output photocouplers provide a high isolation voltage between input and output V_{iso} of 3,750 Vrms (SOP)/5,000Vrms(DIP6). With two options of zero-crossing and non-zero crossing type of triac driver output, it will provide flexibility for circuit designers. Other benefits include high Off-State Output Terminal Voltage (400V, 600V & 800V) and high critical rate of rise of off-state voltage (min 1000V/ μ s).

Application

- ◆ AC Motor Drives
- ◆ AC Motor Starters
- ◆ E.M. Contactors
- ◆ Lighting Controls
- ◆ Solenoid/Valve Controls
- ◆ Solid State Relays
- ◆ Static Power Switches
- ◆ Temperature Controls



Part No.	Device	Feature	Package	Viso(Vrms)	Off-State Output Vdrm(V)	Trigger Current IFT(mA)
MOC3023		400V VDRM, Random phase	DIP6	5000	400	5
LTV-3023		400V VDRM, Random phase	SOP4	3750	400	5
MOC3052-L		600V VDRM, Random phase	DIP6	5000	600	5
MOC3052-H		800V VDRM, Random phase	DIP6	5000	800	10
LTV-3052		600V VDRM, Random phase	SOP4	3750	600	10
MOC3063		600V VDRM, Zero-crossing	DIP6	5000	600	5
LTV-3063		600V VDRM, Zero-crossing	SOP4	3750	600	5
MOC3083		800V VDRM, Zero-crossing	DIP6	5000	800	5
LTV-3083		800V VDRM, Zero-crossing	SOP4	3750	800	5

Flash LED
SMD LED
Through Hole Lamp
LED Display
Automotive LED
Signage LED
Lighting LED
Infrared Emitter and Detector
Optical Sensors
Photocoupler
UV LED

1Mbd Transistor Output photocoupler

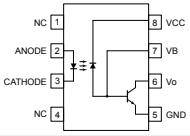
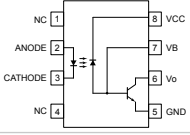
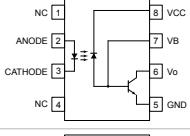
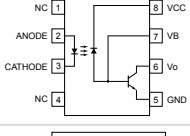
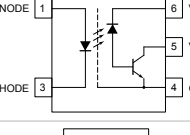
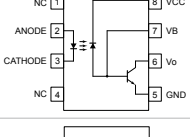
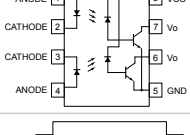
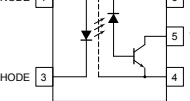
These photocouplers consist of a high efficiency AlGaAs Light Emitting Diode and a high speed optical detector. This design provides excellent AC and DC isolation between the input and output sides of the photocoupler. The connection for the bias of the photodiode improves upon the speed of a conventional phototransistor coupler by reducing the base-collector capacitances. The internal shield ensures high common mode transient immunity. A guaranteed common mode transient immunity is up to 15KV/ μ sec.

Application

- ◆ High Voltage Isolation
- ◆ Isolation in line receivers
- ◆ Feedback element in switching mode power supplies
- ◆ Power transistor isolation in motor drives
- ◆ Interface between Microprocessor system, computer and their peripherals



- ◆ Replace pulse transformers
- ◆ Replace slower photocoupler isolators

Part No.	Device	Feature	Package	V _{DD} (V) max.	CTR min(%)	CTR max(%)	I _{F(on)} (mA)	t _{PLH} (us)	t _{PHL} (us)	CM _L CM _H Min(V)	Viso min (Vrms)
6N135-L		DC Input	DIP8	15	7	50	16	1.5	1.5	1000	5000
6N136-L		DC Input	DIP8	15	19	50	16	0.8	0.8	1000	5000
6N135-H		DC Input	DIP8	30	7	50	16	1.5	1.5	10000	5000
6N136-H		DC Input	DIP8	30	19	50	16	0.8	0.8	10000	5000
LTV-M501		DC Input	SOP5	30	20	50	16	0.8	0.8	15000	3750
LTV-0501		DC Input	SOP8	30	19	-	16	0.8	0.8	15000	3750
LTV-053L		DC Input, Dual channel	SOP8	30	19	-	16	0.8	0.8	15000	3750
LTV-50LW LTV-50LP		DC Input	LSOP6	30	20	-	16	0.8	0.8	15000	5000

10MBd Logic Gate/ 15MBd CMOS Photocoupler

These high gain series couplers use a AlGaAs LED and an integrated high gain photo detector to provide an extremely high current transfer ratio between input and output. Separate pins for the photodiode and output stage result in TTL compatible saturation voltage and high speed operation. Where desired the Vcc and Vo terminals may be tied together to achieve conventional photo Darlington operation. A base access terminal allows a gain bandwidth adjustment to be made.

Application

- ◆ High Voltage Isolation
- ◆ Isolation in line receivers
- ◆ Ground loop elimination
- ◆ Feedback Element in Switching Mode Power Supplies
- ◆ High Speed Logic Ground Isolation – TTL / TTL, TTL / CMOS, TTL / LSTTL
- ◆ Pulse transformer replacement
- ◆ Power transistor isolation in motor drives
- ◆ Interface between Microprocessor system, computer and their peripherals



Part No.	Device	Feature	Package	V _{CC} (V)	I _{F(on)} min(mA)	t _{PLH} (ns) Max	t _{PHL} (ns) Max	PWD(ns) MAX	CM _L Min(V)	CM _H Min(V)	Viso min (Vrms)
6N137-L		DC input, 10 MBd, Logic Gate output	DIP8	3.3/5	5	90	75	35	10000	5000	
LTV-M601		DC input, 10 MBd, Logic Gate output	SOP5	3.3/5	5	90	75	35	10000	3750	
LTV-0601		DC input, 10 MBd, Logic Gate output	SOP8	3.3/5	5	90	75	35	10000	3750	
LTV-063L		DC input, 10 MBd, Dual channel, Logic Gate output	SOP8	3.3/5	5	90	75	35	10000	3750	
LTV-60LW LTV-60LP		DC input, 10 MBd, Logic Gate output	LSOP6	3.3/5	5	90	75	35	10000	5000	
LTV-071L		DC input, 15MBd, Totem Pole output	SOP8	3.3/5	5	60	60	30	10000	3750	
LTV-074L		DC input, 15MBd, Dual channel, Totem Pole output	SOP8	3.3/5	5	60	60	30	10000	3750	
LTV-70LW LTV-70LP		DC input, 15MBd, Totem Pole output	LSOP6	3.3/5	5	60	60	30	10000	5000	

Flash LED
SMD LED
Through Hole Lamp
LED Display
Automotive LED
Signage LED
Lighting LED
Infrared Emitter and Detector
Optical Sensors
Photocoupler
UV LED

100kBd Darlington Output Photocoupler

These high gain series couplers use a AlGaAs LED and an integrated high gain photo detector to provide an extremely high current transfer ratio between input and output. Separate pins for the photodiode and output stage result in TTL compatible saturation voltage and high speed operation. Where desired the Vcc and Vo terminals may be tied together to achieve conventional photo Darlington operation. A base access terminal allows a gain bandwidth adjustment to be made.

Application

- ◆ Digital logic ground isolation
- ◆ Low input current line receiver
- ◆ Telephone ring detector
- ◆ EIA-RS-232C line receiver
- ◆ Current loop receiver
- ◆ High common mode noise line receiver



Part No.	Device	Feature	Package	V _{DC} (V)	I _{F(on)} min (mA)	CTR min(%)	I _F (mA)	t _{PLH} (us)	t _{PHL} (us)	CM _L CM _H Min(V)	Viso min (Vrms)
6N138-L		DC input	DIP8	3.3/5	1.6	400	1.6	35	10	1000	5000
6N139-L		DC input	DIP8	3.3/5	0.5	300 500	0.5 1.6	60	25	1000	5000
LTV-M701		DC input	SOP5	3.3/5	1.6	400 500	0.5 1.6	10	2	1000	3750
LTV-0701		DC input	SOP8	3.3/5	0.5	400 500	0.5 1.6	10	2	1000	3750
LTV-073L		DC input, Dual channel	SOP8	3.3/5	0.5	400 500	0.5 1.6	60	25	1000	3750

Integrated Gate Drive Photocoupler

These photocouplers are ideally suited for driving power IGBTs and MOSFETs used in motor control inverter applications and inverters in power supply system. It contains an AlGaAs LED optically coupled to an integrated circuit with a power output stage. The 2.5A~3A peak output current is capable of directly driving most IGBTs with ratings up to 1200 V/100 A. The photocoupler operational parameters are guaranteed over the temperature range from -40°C ~ +105°C.

Application

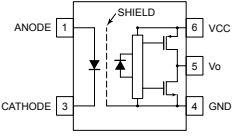
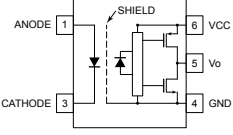
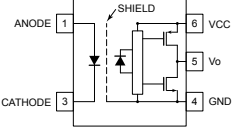
- ◆ IGBT/MOSFET gate drive
- ◆ Uninterruptible power supply (UPS)
- ◆ Industrial Inverter
- ◆ Motor Drive
- ◆ Induction Heat Cooker



Part No.	Device	Feature	Package	$I_{F(on)}$ min (mA)	Peak Output Current min(A)	Peak Output Current max(A)	tPLH (us) Max	tPHL (us) Max	PWD (ns) Max	Supply Voltage (Vcc)	CM _i CM _h Min(V)	Viso min (Vrms)
LTV-3120		DC Input, Rail-to-Rail Output Voltage, Low power dissipation	DIP8	7	2	2.5	0.5	0.5	70	15-35	25000	5000
LTV-3150		DC Input, Rail-to-Rail Output Voltage, Low power dissipation	DIP8	7	0.8	1	0.2	0.2	70	15-35	25000	5000
LTV-3150-L		DC Input, Rail-to-Rail Output Voltage, Low power dissipation	DIP8	7	0.8	1	0.2	0.2	70	10-35	25000	5000
LTV-3180		DC Input, Rail-to-Rail Output Voltage, Low power dissipation	DIP8	7	2	2.5	0.2	0.2	70	10-35	25000	5000
LTV-T350		DC Input, Direct drive of a medium-power, Low power dissipation	DIP8	7	2	2.5	0.5	0.5	200	15-35	25000	5000
LTV-152		DC Input, Rail-to-Rail Output Voltage, Low power dissipation	SOP5	7	2	2.5	0.17	0.19	70	10-35	20000	3750
LTV-155E		DC Input, Rail-to-Rail Output Voltage, Low power dissipation	SOP5	7	0.8	1	0.2	0.2	70	10-35	20000	3750

Flash LED
SMD LED
Through Hole Lamp
LED Display
Automotive LED
Signage LED
Lighting LED
Infrared Emitter and Detector
Optical Sensors
Photocoupler
UV LED

Integrated Gate Drive Photocoupler

Part No.	Device	Feature	Package	$I_{F(on)}$ min (mA)	Peak Output Current min(A)	Peak Output Current max(A)	tPLH (μ s) Max	tPHL (μ s) Max	PWD (ns) Max	Supply Voltage (Vcc)	CM_{L} Min(V)	Viso min (Vrms)
LTV-341W LTV-341P		DC Input, Rail-to-Rail Output Voltage, Low power dissipation	LSOP6	7	2.5	3	0.2	0.2	70	15-35	35000	5000
LTV-340W LTV-340P		DC Input, Rail-to-Rail Output Voltage, Low power dissipation	LSOP6	7	0.8	1	0.2	0.2	70	15-35	35000	5000
LTV-314W LTV-314P		DC Input, Rail-to-Rail Output Voltage, Low power dissipation	LSOP6	7	0.8	1	0.2	0.2	70	10-35	25000	5000
LTV-0314		DC Input, Rail-to-Rail Output Voltage, Low power dissipation	SOP8	7	0.8	1	0.2	0.2	70	10-35	25000	3750

Schmitt Trigger

Liteon H11Lx-L has a high-speed integrated circuit detector (5Mbd typical) optically coupled to infrared emitting diode. The output incorporates a Schmitt Trigger which provides hysteresis for noise immunity and pulse shaping.

Application

- ◆ Logic to logic isolator
- ◆ Programmable current level sensor
- ◆ Line receiver—eliminate noise and transient problems
- ◆ A.C. to TTL conversion—square wave shaping
- ◆ Digital programming of power supplies
- ◆ Interfaces computers with peripherals



Part No.	Device	Feature	Package	$I_{F_{ON,max}}$ (mA)	Turn-on time max(us)	Turn-off time max(us)	Data rate (Mbd)	V_{CC} (V)	Viso (Vrms)
H11L1-L		DC input	DIP6	1.6	1	1	2	3-16	5000
H11L2-L		DC input	DIP6	10	1	1	2	3-16	5000
H11L3-L		DC input	DIP6	5	1	1	2	3-16	5000

Flash LED

SMD LED

Through Hole Lamp

LED Display

Automotive LED

Signage LED

Lighting LED

Infrared Emitter and Detector

Optical Sensors

Photocoupler

UV LED

Intelligent Power Module Interface Photocoupler

Lite-On offers photocouplers ideal for isolated interfacing to an intelligent power module (IPM). IPM-drive photocouplers are available with an output in open-collector and inverting and noninverting totem-pole configurations. Therefore, you can find optimal photocouplers that best fit your needs, regardless of the input configuration (active level) of the driven IPM.

Application

- ◆ Intelligent power module
- ◆ Inverter/Motor control
- ◆ Power switch design
- ◆ General purpose digital isolation



Part No.	Device	Feature	Package	$I_{F(on)}$ min (mA)	I_O min (mA)	CTR min(%)	CTR max(%)	I_F (mA)	tPLH (us)	tPHL (us)	P_{DD} max (us)	V_{CC} max (V)	C_{ML} C_{MH} Min (V)	V_{iso} (Vrms)
LTV-M480		DC Input, IPM Totem Pole output, buffer logic	SOP5	1.6	160	-	-	-	0.2	0.22	0.21	35	20000	3750
LTV-M481		DC Input, IPM Totem Pole output, Inverted logic	SOP5	4	160	-	-	-	0.16	0.16	0.16	35	20000	3750
LTV-480W LTV-480P		DC Input, IPM Totem Pole output, buffer logic	LSOP6	1.6	160	-	-	-	0.2	0.22	0.21	35	20000	5000
LTV-481W LTV-481P		DC Input, IPM Totem Pole output, Inverted logic	LSOP6	4	160	-	-	-	0.16	0.16	0.16	35	20000	5000
LTV-0480		DC Input, IPM Totem Pole output, buffer logic	SOP8	1.6	160	-	-	-	0.2	0.22	0.21	35	20000	3750
LTV-0481		DC Input, IPM Totem Pole output, Inverted logic	SOP8	4	160	-	-	-	0.16	0.16	0.16	35	20000	3750

Part No.	Device	Feature	Package	$I_{F(on)}$ min (mA)	I_o min (mA)	CTR min(%)	CTR max(%)	I_f (mA)	tPLH (us)	tPHL (us)	P_{DD} max (us)	V_{CC} max (V)	C_{ML} C_{MH} Min (V)	V_{ISO} (Vrms)
LTV-4800		DC Input, IPM Totem Pole output, buffer logic	DIP8	1.6	160	-	-	-	0.2	0.22	0.21	35	20000	5000
LTV-4800-7		DC Input, IPM Totem Pole output, buffer logic	DIP8	1.6	160	-	-	-	0.2	0.22	0.21	35	20000	5000
LTV-4801		DC Input, IPM Totem Pole output, Inverted logic	DIP8	4	160	-	-	-	0.16	0.16	0.16	35	20000	5000
LTV-M456		DC Input, IPM open collector output	SOP5	10	4.4	44	>90	10	0.55	0.4	0.45	35	15000	3750
LTV-456W LTV-456P		DC Input, IPM open collector output	LSOP6	10	4.4	44	>90	10	0.55	0.4	0.45	35	15000	5000
LTV-0456		DC Input, IPM open collector output	SOP8	10	4.4	44	>90	10	0.55	0.4	0.45	35	15000	3750
LTV-4506		DC Input, IPM open collector output	DIP8	10	4.4	44	>90	10	0.55	0.4	0.45	35	15000	5000

Flash LED

SMD LED

Through Hole Lamp

LED Display

Automotive LED

Signage LED

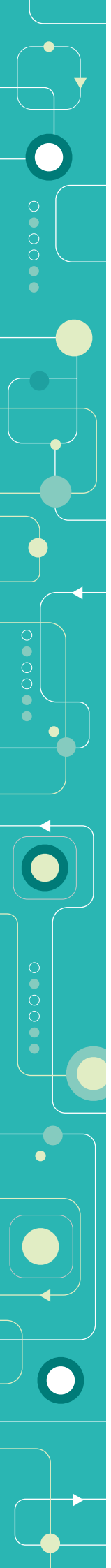
Lighting LED

Infrared Emitter and
Detector

Optical Sensors

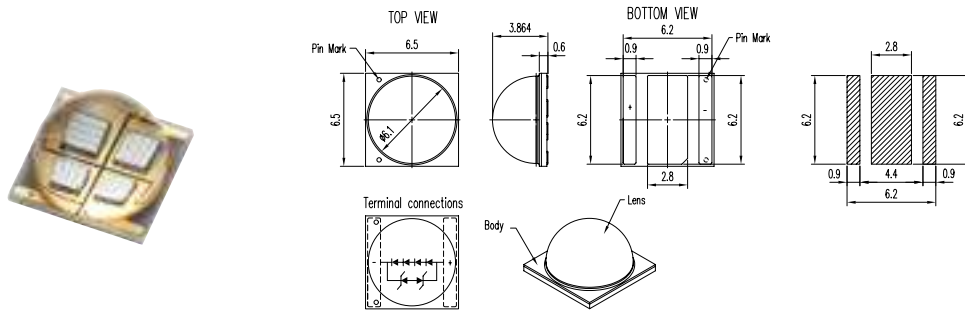
Photocoupler

UV LED



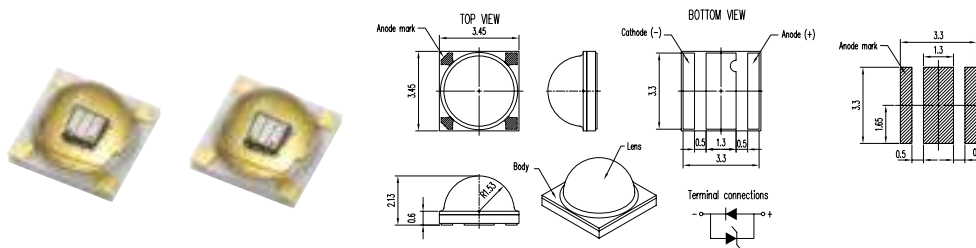
| UV LED

UV LED



Part No.	λ_p (nm)	Min. Radiant Power (mW)	Max. Radiant Power (mW)	View Angle $2\theta_{1/2}$	Typ. Forward Voltage V_f (V)	Forward Current I_f (mA)
LTPL-C08UVH365	365	2240	3340	130	15.0	500
LTPL-C08UVH375	375	2240	3340	130	14.8	500
LTPL-C08UVH385	385	3100	4200	130	14.5	500
LTPL-C08UVH395	395	3100	4200	130	14.0	500
LTPL-C08UVH405	405	3100	4200	130	14	500

UV LED



Part No.	λ_p (nm)	Min. Radiant Power (mW)	Max. Radiant Power (mW)	View Angle $2\theta_{1/2}$	Typ. Forward Voltage V_f (V)	Forward Current I_f (mA)
LTPL-C034UVD365	365	380	530	130	4.0	350
LTPL-C034UVH365	365	560	900	130	4.0	500
LTPL-C034UVD375	375	380	530	130	4.0	350
LTPL-C034UVH375	375	560	900	130	3.8	500
LTPL-C034UVD385	385	510	660	130	3.8	350
LTPL-C034UVH385	385	775	1135	130	3.7	500
LTPL-C034UVD395	395	460	660	130	3.6	350
LTPL-C034UVH395	395	775	1135	130	3.5	500
LTPL-C034UVD405	405	460	660	130	3.5	350
LTPL-C034UVH405	405	775	1135	130	3.4	500
LTPL-C034UVH430	430	775	1135	130	3.4	500

Flash LED

SMD LED

Through Hole Lamp

LED Display

Automotive LED

Signage LED

Lighting LED

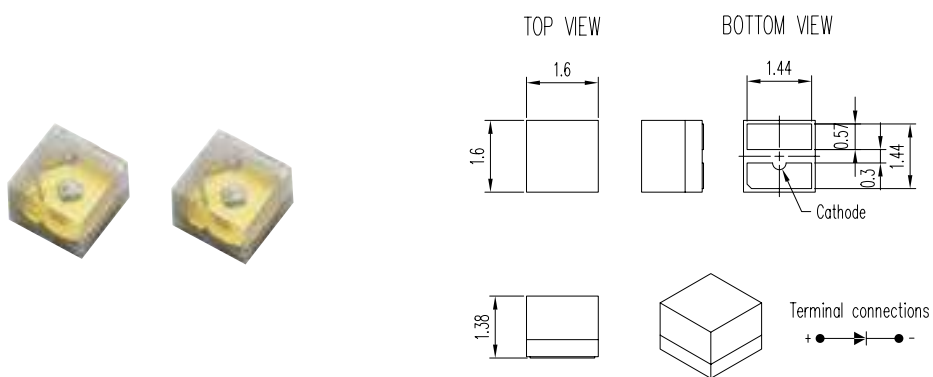
Infrared Emitter and Detector

Optical Sensors

Photocoupler

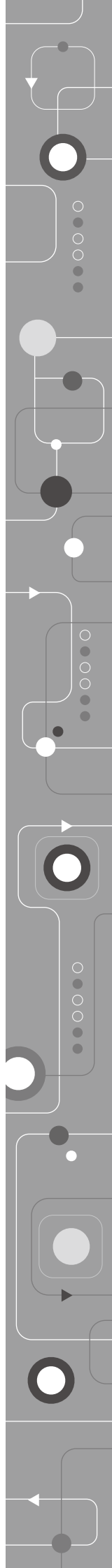
UV LED

UV LED



Part No.	λ_p (nm)	Min. Radiant Power (mW)	Max. Radiant Power (mW)	View Angle $2\theta_{1/2}$	Typ. Forward Voltage V_f (V)	Forward Current I_f (mA)
LTPL-C16FUVVM365	365	14	26	135	3.5	20
LTPL-C16FUVVM375	375	14	26	135	3.5	20
LTPL-C16FUVVM385	385	16	28	135	3.3	20
LTPL-C16FUVVM395	395	16	28	135	3.2	20
LTPL-C16FUVH400	400	440	590	135	3.3	350
LTPL-C16FUVVM405	405	16	28	135	3.1	20

Worldwide Contacts



| AUSTRALIA

Arrow Electronics Australia Pty Ltd.

14 Nicole Close, Bayswater North, VIC 3153, Australia

☎ : +61-3-9737-4900
 📠 : +61-3-9737-4999

Arrow Electronics Australia Pty Ltd.

Suite 203, Level 2, 51 Rawson Street, Epping, NSW 2121, Australia

☎ : +61-2-9868-9900
 📠 : +61-2-9868-9901

| CHINA

Cirtek Resources Corp., Shenzhen Branch

2803, No.1 Block, News Building, 1002 Shennan Zhong Rd Futian District, Shenzhen

☎ : +86-755-8209-0400
 📠 : +86-755-8209-0121

Cirtek Resources Corp., Suzhou Branch

Suite 1202, Century Financial Tower No.1, Suzhou Avenue West, Suzhou Industrial Park, Suzhou Jiangsu China

☎ : +86-512-6827-9928
 📠 : +86-512-6750-7829

Holder Electronics Co.,LTD

Xiamen Office (Headquarter)

☎ : +86-592-520-5266

Beijing Office

☎ : +86-10-6445-5422

Tianjin Office

☎ : +86-22-8426-7382

Shanghai Office

☎ : +86-21-6172-4979

Qingdao Office

☎ : +86-532-8501-2819

Nanjing Office

☎ : +86-25-8647-2879

Suzhou Office

☎ : +86-512-6805-7919

Shenzen Office

☎ : +86-755-3397-0687

Chengdu Office

☎ : +86-28-8620-2699

HK WACHING ELECTRONIC (GROUP) LIMITED

B-9D, Buidling 2, Jinyuan Time Commercial Center Yuanda Rd, Haidian District, Beijing, China

☎ : +86-10-5126-6018
 📠 : +86-10-8886-1752

JYHARN ELECTRONIC TECH(SUZHOU)CO.,LTD

3207 Gold River In'tl Tower, 35 Shi Shan Road, Suzhou New District, China (ZIP CODE : 215011)

☎ : +86-512-6809-1267
 📠 : +86-512-6809-6127

JYHARN ELECTRONIC TECH(SHEN ZHEN)CO.,LTD

Room 1516 15/F, Dong Min Building, No.284 Min Kang Road Min Zhi Street, Bao An District, Shenzhen China

☎ : +86-755-8374-0548
 📠 : +86-755-8374-0555

Lucky Star International (Shanghai) Co.,Ltd

Room 702, No.4, Lane 300, Liu Zhou Rd, Shanghai, China 200235

☎ : +86-21-6408-9175~6
 📠 : +86-21-6408-9173

Lumax International Corp., LTD

C \ D Room, 23/F, West Block, Aidi Building, Binhe Road, Futian, ShenZhen, China

☎ : +86-755-8882-3588
 📠 : +86-755-8358-1869

SUNRISETEK CO., LTD. SHENZHEN Branch

Room 421, Zone B, Huameiju Business Center, Xinhua Road, Bao'an District, Shenzhen City

☎ : +86-755-2744-7189
 📠 : +86-755-3366-2566

SUNRISETEK CO., LTD. SUZHOU Branch

Room 904, Block C, Wanda Square, No.3188 Renmin Road, Suzhou City, Jiangsu Province, P.R. China

☎ : +86-512-6721-5657
 📠 : +86-512-6876-6351

WPG China Inc. ChengDou Branch Office

Room 1001, Building 8, Tianfu Xingu, No.399 Western Section of Fucheng Road Hi-Tech Zone, Chengdu, China

☎ : +86-28-8528-9586
 📠 : +86-28-8518-8021

WPG China Inc. ChongQin Rep. Office

No.3205, LongHu Building 4, No.166, Xinnan Road, Noth New District, Chongqing, China

☎ : +86-23-8691-5289
 📠 : +86-23-8691-5286

WPG China Inc. FuZhou Rep. Office

Room 1602, 16/F Worldwide Plaza, 158 Wusi Road, Fuzhou, P.R.C 350003

☎ : +86-591-8780-4393
 📠 : +86-591-8781-2090

**WPG China Inc.
Hangzhou Branch Office**

Room 805, Tianji Building, No.181,
Tianmushan Road, Xihu District,
Hangzhou

☎ : +86-571-8724-1995
☎ : +86-571-8729-9895

**WPG China Inc.
Nan Jing Rep. Office**

Room 908, Block A, New Century
Plaza, 288 Zhongshan East
Road, Nanjing, China

☎ : +86-25-5226-0028
☎ : +86-25-8440-7646

**WPG China Inc.
Ningbo Rep. Office**

Room 1701, Block 1, Shangdong
International Building, No.1926,
Canghai Road, Jiandong District,
Ningbo, China.

☎ : +86-574-8793-7751
☎ : +86-574-8793-8390

**WPG China Inc.
Qingdao Branch Office**

Room 2301, No.1 Building, Minghui
Internation, #39 Shiling Road,
Laoshan District, Qingdao

☎ : +86-532-8099-5180
☎ : +86-532-8099-0926

**WPG China Inc.
Shanghai Office**

No.37 1555 Lane West
Jingshaji Road Jiading, District
Shanghai, PRC

☎ : +86-21-2309-9388
☎ : +86-21-6951-2695
+86-21-6951-2720

**WPG China Inc.
Suzhou Branch Office**

24F, No.1296, Ganjiang Road West,
Gusu District, Suzhou City,
PR. China 215004

☎ : +86-512-6807-9366
☎ : +86-512-6809-8573

**WPG China Inc.
Tianjin Rep. Office**

No.2002, JieYuan Apartment,
JieYuan Street, HongQiao District,
TianJin City

☎ : +86-022-8729-7002
☎ : +86-022-8729-7002

**WPG China Inc.
Xiamen Branch Office**

Room 02-03, 19/F, HaiYi Building A,
No.666 XiaHe Road, Xiamen,
Fujian Province, P.R.C

☎ : +86-592-239-8161
☎ : +86-592-211-7595

WPG China Inc.

301Room Juntian Building,
No.1131 Xidian Country,
Gaobeidian Village,
Chaoyang District, Beijing City.

☎ : +86-10-5783-5658
☎ : +86-10-5915-4118

**WPG China (SZ) Inc.
Changsha Rep. Office**

Room 2415, Xinglong
international plaza, Kaiyuan Road,
Xingsha county, Changsha, Hunan

☎ : +86-0731-8403-8966
☎ : +86-0731-8403-8969

**WPG China (SZ) Inc.
Dongguan Changping Rep.
Office**

Room 1813-1816, 18th Floor,
Jiajun Center, No.8, Changdong
Rd, Changping Town, Dongguan

☎ : +86-769-2339-9901
☎ : +86-769-2339-9908

**WPG China (SZ) Inc.
Guangzhou Branch Office**

Room506-507, TianHeFuLi
Business Mansion, No.4, HuaTing
Rd, GuangZhou, P.R.C

☎ : +86-20-3833-5540
☎ : +86-20-3839-5448

WPG China (SZ) Inc.

Block 2, Kai Da Er Building, No.168
TongSha Road, XiLi Town,
Nanshan, Shenzhen, P.R.C

☎ : +86-755-2671-1655
☎ : +86-755-2399-2286

**WPG China (SZ) Inc.
Zhuhai Rep. Office**

Room 201, Ming Men buiding,
No.2188 YingBin South Road,
Gongbei district, Zhuhai,
Guangdong Province

☎ : +86-756-812-3571
☎ : +86-756-812-3570

**Yosun Hong Kong Corp.
Limited**

Units 07-11, 15/F, CDW Building,
388 Castle Peak Road, Tsuen Wan,
New Territories, Hong Kong

☎ : +852-2365-4860
☎ : +852-2765-4959

INDIA

Arrow Electronics India Pvt Ltd.,

Fortune Summit Park, 5th Floor,
Ward No.174, 6th Sector HSR
Layout, Roopena Agrahara,
Bangalore-560068

☎ : +91-80-4135-3822
☎ : +91-80-4135-3838

**AVNET TECHNOLOGY
SOLUTIONS (INDIA) PVT. LTD.**

No.402, 4th Floor, Tower B - RMZ
Infinity, Old Madras Road,
Bangalore - 560016

☎ : +91-80-4060-4210
☎ : +91-80-4060-4060

**WesCal Electronics (India) Pvt.
Ltd.**

#35, 2nd Floor, Krishnapuri
Colony, West Marredpally,
Secunderabad - 500 026

☎ : +91-40-2771-0405
+91-40-2771-0406
☎ : +91-40-2771-0407

| KOREA

Jaytronics Ins.

15F, Daerung Technotown,
12 Cha, 327-32' Gasan-Dong,
Seoul 153-802

☎ : +82-2-2705-4942
☎ : +82-2-2060-3399

| SINGAPORE

**Arrow Electronics Asia (S)
Pte Ltd**

750E Chai Chee Road, #07-01/02
Viva Business park,
Singapore 469005

☎ : +65-6559-8388
☎ : +65-6443-8662

AVNET Asia Ptd Ltd

151 Lorong Chuan, #06-03
New Tech Park Singapore 556741

☎ : +65-6580-6078
☎ : +65-6580-6121

Future Electronics

11 Tampines Concourse #03-01,
Singapore 528729

☎ : +65-6808-3888
☎ : +65-6808-3886

| TAIWAN

**Arrow Electronics /
Ultra Source Technology**

17F, No.150, Jian 1st Road,
Zhonghe Dist. New Taipei City
23511, Taiwan

☎ : +886-2-7722-5168
☎ : +886-2-7723-8168

Arrow Electronics / Ultra Source

10F-2, No.439, Dashun 1st Road,
Gushan District, Kao Hsiung City
80452, Taiwan

☎ : +886-7-972-4288
☎ : +886-7-972-4289

Arrow Electronics

5F., No.176, Sec. 2, Gongdao 5th
Road, East Dist., Hsinchu City
30070, Taiwan

☎ : +886-3-620-1968
☎ : +886-3-620-2188

Cirtek Resources Corp.

9F, No.34, Sec.3, Pa-The Rd.,
Taipei, Taiwan

☎ : +886-2-2570-2349
☎ : +886-2-2578-5937

Imperial Star Corp.

6F-4, No. 27, Lane 61, Sec. 1,
Kuang-Fu Road., Sanchung District,
24158, New Taipei City, Taiwan

☎ : +886-2-2999-1152
☎ : +886-2-2999-1165

**JYHARN ELECTRONIC TECH.
CO., LTD. Taipei Rep. Office**

14F., No.258, Liancheng Rd.,
Zhonghe Dist.,
New Taipei City 23553, Taiwan

☎ : +886-2-8227-2323
☎ : +886-2-8227-2525

**JYHARN ELECTRONIC TECH.
CO., LTD. Hsinchu Rep. Office**

8F.-6, No.472, Sec. 1, Guangfu Rd.,
East Dist., Hsinchu City 300, Taiwan

☎ : +886-3-563-4545
☎ : +886-3-563-4515

**JYHARN ELECTRONIC TECH.
CO., LTD.**

Kaohsiung Headquarter

No.396, Tzengtz Rd., Zuoying
Dist., Kaohsiung, Taiwan

☎ : +886-7-347-8166
☎ : +886-7-347-8181

Lumax International Corp.,Ltd.1

2F., No.3-1, Park St., Nangang
District, Taipei City 11503, Taiwan
(Nangang Software Park)

☎ : +886-2-2788-3656
☎ : +886-2-2788-7226

Silicon Application Corp

18F., No.2, Jian 8th Rd., Zhonghe
Dist., New Taipei City 235, Taiwan

☎ : +886-2-8226-1500
☎ : +886-2-8226-1503

**SUNRISETEK Co., LTD.
Head Office**

4F., No.101, Jian 1st Rd.,
Zhonghe Dist.,
New Taipei City 235, Taiwan

☎ : +886-2-2223-5358
☎ : +886-2-2221-3858

**Yosun Industrial Corp.
Hsinchu Rep. Office**

5th Floor-4, 295, Section 2,
Kuangfu Rd., Hsinchu City 300,
Taiwan

☎ : +886-3-5715-107
☎ : +886-3-5715-353

**Yosun Industrial Corp.
Kaohsiung Rep. Office**

14F., No.77, Liwen Rd., Zuoying
Dist., Kaohsiung City 813, Taiwan

☎ : +886-7-559-2307
☎ : +886-7-559-2518

**Yosun Industrial Corp.
Taichung Rep. Office**

7th Floor-6, 241, Section 3,
Wenshin Rd., Shitun District,
Taichung 407, Taiwan

☎ : +886-4-2292-9934
☎ : +886-4-2292-9941

**Yosun Industrial Corp.
Taipei Headquarter**

9F., No.489, Sec.2, Tiding Blvd.,
Neihu Dist., Taipei City 114, Taiwan

☎ : +886-2-2659-8168
☎ : +886-2-2659-8167

| AUSTRIA

Arrow Electronics

Landstraßer Hauptstraße 97-101 /
Stiege 1 / 4A 1030 Wien, Austria

☎ : +43-01-3-60-46-10

📠 : +43-13-6-04-61-0

**Future Electronics
Austria GmbH**

Scheringgasse 2, Wien, A-1140,
Austria

☎ : +43-1-577-33-00

📠 : +43-1-577-33-00-333

**Rutronik Elektronische
Bauelemente Ges.m.b.H.**

Durisolstraße 11, 4600 Wels,
Austria

☎ : +43-7242-4490-1

📠 : +43-7242-4490-133

| BELGIUM

Arrow Electronics

Keiberg II, Minervastraat 14/B2
1930 Zaventem, Belgium

☎ : +32-27-25-46-60

📠 : +32-27-25-45-11

Visbeekstraat 11F, 2300 Turnhout,
Belgium

Future Electronics

Bedrijvencentrum Regio Aalst
Industrielaan 4, Erembodegem-
Aalst, 9320, Belgium

☎ : +32-53-85-09-40

📠 : +32-53-83-24-33

Rutronik Belgium BVBA

Keppekouter 1, Ninovesteenweg
198, 9320 Erembodegem-Aalst,
Belgium

☎ : +32-53-739-971

📠 : +32-53-771-262

| BULGARIA

Arrow Electronics

Boulevard Dragan Tsankov 36,
Office 329 B, 1040 Sofia, Bulgaria

☎ : +359-0-2-9712177

Future Electronics

75 Andrey Lyapchev blvd.
Sofia, 1729, Bulgaria

☎ : +359-2-974-5952

📠 : +359-2-974-5968

**Rutronik Elektronische
Bauelemente GmbH**

Business centre "Lozenetz" fl.1,
office 1B Blvd. Nikola Vaptzarov 35
1407 Sofia, Bulgaria

☎ : +35-92-974-86-46

📠 : +35-92-974-86-45

| CZECH REPUBLIC

Arrow Electronics

Hvezdova 1716/2b
140 78 Praha 4-Nusle,
Czech Republic

☎ : +420-222-755-420

📠 : +420-239-017-522

Future Electronics

4th Floor, East Building
Antala Staska 510/38, 140 00,
Prague 4, Czech Republic

☎ : +420-225-340-810

📠 : +420-225-340-820

**RUTRONIK Elektronische
Bauelemente CZ s.r.o.**

Pražákova 1008/69
63900 Brno, Czech Republic

☎ : +420-545-424-681

📠 : +420-545-424-670

Na Pankraci 1638/43
140 00 Praha 4, Czech Republic

☎ : +420-233-343-120

📠 : +420-233-323-955

TME Czech Republic s.r.o.

Slévárenská 406/17, 709 00
Ostrava - Mar. Hory

☎ : +420-59-66-33-105

📠 : +420-59-66-33-104

| DENMARK

Arrow Electronics

Marielundvej 29
2730 Herlev, Denmark

☎ : +45-70-10-22-11

📠 : +45-44-50-82-10

Tindbjergvej 18
DK-8600, Silkeborg, Denmark

☎ : +45-70-10-22-11

📠 : +45-87-24-66-60

Future Electronics A/S

Skomagervej 13D, Vejle, DK-7100,
Denmark

☎ : +45-764-08-764

📠 : +45-764-08-765

**Rutronik Elektronische
Bauelemente GmbH**

Herstedøstervej 27-29, 2620
Albertslund Denmark

☎ : +45-7020-1963

📠 : +45-7020-1973

| ESTONIA

Arrow Electronics

Sopruse Puiestee 145
Section A, floor 5, 13417 Tallinn,
Estonia

☎ : +372-6-77-42-50

📠 : +372-6-77-42-51

Future Electronics

OUAhtri 6, Tallinn, EE-10151,
Estonia

☎ : +372-614-3201

📠 : +372-614-3203

Rutronik Elektronische Bauelemente GmbH

Vaksali 17A, 50410 Tartu, Estonia
 ☎ : +372-7-37-09-51

| **FINLAND**

Arrow Electronics

Stella Business Park Lars Sonckin kaari 16, FI-02600 Espoo, Finland
 ☎ : +358-9-47-66-60

Kasarmintie 15, FI-90100 Oulu, Finland

☎ : +358-8-321-28-00

Veistamonaukio 1-3, 3B5, FI-20100 Turku, Finland

☎ : +358-9-476-660

Brahenkatu 13 A6, 20100 Turku, Finland

Future Electronics Oy

Teknobulevardi 3-5, Vantaa FI-01530, Finland

☎ : +358-9-525-9950

☎ : +358-9-455-1050

Rutronik Elektronische Bauelemente GmbH

Malminkaari 5, 00700 Helsinki, Finland

☎ : +358-9-3291-2200

☎ : +358-9-3291-2222

| **FRANCE**

PAN ELEKTRON S.R.L

Via P.F. Mola, 39, I-20156 Milano

☎ : +39-2-3300-7446

☎ : +39-2-3300-6042

| **Germany**

AL Elektronik Distribution GmbH

Christian-Pommer-Str. 36 D-38112 Braunschweig

☎ : +49-531-25-66-9-0

☎ : +49-531-25-66-9-29

Arrow Electronics

Frankfurter Str. 211 63263 Neu-Isenburg, Germany

☎ : +49-6102-5030-0

☎ : +49-6102-5030-8455

Kackertstr. 10 52072 Aachen, Germany

☎ : +49-241-88-96-90

☎ : +49-241-88-96-923

Spichernstrasse 2-3 10777 Berlin, Germany

☎ : +49-30-75-79-90-0

☎ : +49-30-75-79-90-77

Meisenstraße 92 33607 Bielefeld, Germany

☎ : +49-521-40-43-0

☎ : +49-521-40-43-10-0

Friedrich-Seele-Str. 3a Braunschweig, 38122

☎ : +49-53-18-09-80

☎ : +49-53-18-09-87-143

Hildebrandstraße 11 44319 Dortmund, Germany

☎ : +49-231-2-18-010

☎ : +49-231-2-18-0167

Gustav-Weißkopf-Straße 3 99092 Erfurt, Germany

☎ : +49-361-78-93-50

☎ : +49-361-78-93-56-66

Am Gansacker 10 79224 Umkirch, Germany

☎ : +49-7665-98-55-0

☎ : +49-7665-98-55-98

Rodeweg 18 37081 Göttingen, Germany

☎ : +49-551-90-40

☎ : +49-551-90-44-648

Hugh-Greene-Weg 2 22529 Hamburg, Germany

☎ : +49-40-85-31-34-0

☎ : +49-40-85-31-34-91

Zeppelinstraße 2 76185 Karlsruhe, Germany

☎ : +49-721-83-09-530

☎ : +49-721-83-09-550

Hauptstrasse 103 04416 Leipzig, Germany

☎ : +49-341-35-62-20

☎ : +49-341-35-62-266

Michael-Haslbeck-Strasse 26 85640 Putzbrunn Munich, Germany

☎ : +49-89-456-18-0

☎ : +49-89-456-18-399

Lina-Ammon-Straße 30 90471 Nürnberg, Germany

☎ : +49-911-521-56-0

☎ : +49-911-521-56-35

Josef-Bayer-Straße 10 88250 Weingarten, Germany

☎ : +49-751-56-92-0

☎ : +49-751-56-92-100

Höpfigheimer Strasse 5 74321 Bietigheim-Bissingen Stuttgart, Germany

☎ : +49-7142-70-03-0

☎ : +49-7142-70-03-60

Dema Electronic AG

Tuerkenstrasse 11 80333 Muenchen, Germany

☎ : +49-0-89-2869-410

☎ : +49-0-89-283-509

Future Electronics Deutschland GmbH

Sebrathweg 20, 1st Floor,
Dortmund, 44149, Germany

☎ : +49-231-997619-0
☎ : +49-231-975-048-23

Sattlerstrasse 11, Isernhagen,
30916, Germany

☎ : +49-5136-80428-0
☎ : +49-5136-80428-40

Augsburger Str. 10, Erfurt,
D-99091, Germany

☎ : +49-361-420-870
☎ : +49-361-420-8760

Max-Planck-Straße 3, 2nd Floor
Aschheim- Dornach, 85609,
Munich, Germany

☎ : +49-89-95727-0
☎ : +49-89-95727-173

Naussaustrasse. 28, 3rd
(Top Floor) Hofheim-Wallau,
D-65719, Frankfurt, Germany

☎ : +49-6122-53429-0
☎ : +49-6122-53429-55

Lingwiesenstrasse 11/1,
Korntal-Münchingen
D-70825, Stuttgart, Germany

☎ : +49-7150-9197-0
☎ : +49-7150-9197-183

Fangdieckstr. 64, Hamburg,
D-22547, Germany

☎ : +49-40-547-277-0
☎ : +49-40-547-277-77

Rutronik Elektronische Bauelemente GmbH

Industriestrasse 2, D-75228
Ipspringen

☎ : +49-7231-801-0
☎ : +49-7231-822-82

Justus-von-Liebig-Straße 7,
12489 Berlin

☎ : +49-30-8092-716-0
☎ : +49-30-8092-716-16

Radeburger Straße 172,
01109 Dresden

☎ : +49-351-2053-30-0
☎ : +49-351-2053-30-10

Flughafenstraße 4, 99092 Erfurt

☎ : +49-361-2283-630
☎ : +49-361-2283-631

Frankfurter Straße 151c,
63303 Dreieich

☎ : +49-6103-2700-3-0
☎ : +49-6103-2700-3-20

Basler Landstraße 8,
79111 Freiburg

☎ : +49-761-6116-77-0
☎ : +49-761-6116-77-1

Brockweg 133, 33332 Gütersloh

☎ : +49-5241-2327-1-0
☎ : +49-5241-2327-1-29

Neue Gröningerstraße 10,
20457 Hamburg

☎ : +49-40-3596-006-20
☎ : +49-40-3596-006-50

Rendsburger Straße 32,
30659 Hannover

☎ : +49-511-2285-07-0

Amselstraße 33, 68307 Mannheim

☎ : +49-621-7621-26-0
☎ : +49-621-7621-26-17

Landsberger Straße 392,
81241 München

☎ : +49-89-8899-91-0
☎ : +49-89-8899-91-19

Südwestpark 10/12,
90449 Nürnberg

☎ : +49-911-6886-8-0
☎ : +49-911-6886-8-90

Gothaer Straße 2, 40880 Ratingen

☎ : +49-2102-9900-0
☎ : +49-2102-9900-19

SCHUKAT ELECTRONIC VERTRIEBS GmbH

Daimlerstraße 26 D-40789
Monheim am Rhein

☎ : +49-2173-9505
☎ : +49-2173-9509-99

TME Germany GmbH

Humboldtstrasse 2, 04105 Leipzig

☎ : +49-341-2120-340
☎ : +49-341-2120-342-9

NORD DEUTSCHLAND
Piotr Paulus

☎ : +49-152-0570-416-6

SÜD DEUTSCHLAND
Steffen Riegel

☎ : +49-175-9339-397

SÜD-WEST DEUTSCHLAND
Peter Buchholz

☎ : +49-171-5646-253

HUNGARY

Arrow Electronics

Váci út 140, 1138 Budapest,
Hungary

☎ : +36-1288-7300
☎ : +36-1288-7301

Future Electronics Kft.

Nagyszolos utca 11-15 BCW
Irodahaz III. Emelet, Budapest.
1113

☎ : +36-1-224-0510
☎ : +36-1-224-0511

Rutronik Magyarország Kft.

Alíz utca 1, 1117 Budapest,
Hungary

☎ : +36-1231-3349
☎ : +36-1231-3333

TME Hungary Kft.

Hermína út 17 "A" ép. 7.em., 1146
Budapest

☎ : +36-1-220-67-56
☎ : +36-1-273-03-28

| ISRAEL

Arrow Electronics

Ram House, 3rd Entrance, floor
5, 36 Hashacham Street Ramat
Siv, P.O. Box 7240, Peteach Tikva
49250, Israel

☎ : +972-3-9203-456
☎ : +972-3-9203-443

Future Electronics

2 Maskit St, Building D, Floor 6,
Herzliya, 46140, Tel-Aviv, Israel

☎ : +972-9970-1414
☎ : +972-9958-4333

ZIONTRONICS LTD. Electronic

14 Raoul Wallenberg ST. Tel-Aviv
61131, Israel

☎ : +972-3-6498-642
☎ : +972-3-6498-986

| ITALY

PAN ELEKTRON S.R.L

Via P.F. Mola, 39, I-20156 Milano

☎ : +39-2-3300-7446
☎ : +39-2-3300-6042

| LITHUANIA

**Rutronik Elektronische
Bauelemente GmbH**

Raudondvario pl.76, 47182
Kaunas, Lithuania

☎ : +370-37-2617-80
☎ : +370-37-2103-63

UAB Future Electronics

Jurbarko 2-302, Kaunas, LT-47183

☎ : +370-37-408-482
☎ : +370-37-265-478

| NETHERLANDS

Arrow Electronics

Elzenkade 3, 3992 AD Houten,
Netherlands

☎ : +31-030-63-91-23-8
☎ : +31-030-63-91-20-5

Future Electronics

Tinstraat no. 3, Breda, Holland,
4823 AA, Netherlands

☎ : +31-765-444-888
☎ : +31-765-444-880

**Rutronik Elektronische
Bauelemente GmbH**

Papland 4a, 4206 CL Gorinchem,
Netherlands

☎ : +31-183-646-050
☎ : +31-183-646-051

**Transfer Multisort Elektronik
B.V.**

Beemdstraat 1, 5653MA
Eindhoven, Netherlands

☎ : +31-40-737-04-57
☎ : +31-40-737-00-26

| NORWAY

Arrow Electronics

Stokkastrandvegen 87A
NO 5578 Nedre Vats, Norway

☎ : +47-5276-3000
☎ : +47-5276-5339

Reidar Berges Gate 9, N-4013
Stavanger, Norway

☎ : +47-5276-3000
☎ : +47-2130-6550

Future Electronics AB

Tevlingveien 23, Oslo, NO-1081,
Norway

☎ : +47-229-05800
☎ : +47-229-05790

**Rutronik Elektronische
Bauelemente GmbH**

Olaf Helsets vei 6, 0694 Oslo
Norway

☎ : +47-22-767920
☎ : +47-22-767921

| POLAND

Arrow Electronics

ul. W. Rzymowskiego 53 02 - 697
Warszawa, Poland

☎ : +48-22-5588-282
☎ : +48-22-5588-283

Ligocka 103, 40-568 Katowice,
Poland

☎ : +48-22-488-70-00

Future Electronics

Kłopotowskiego 22, str. Warsaw,
03-717

☎ : +48-22-5907-202
☎ : +48-22-5907-230

Waterside, Długie Ogrody Str. no
14 (2nd floor), Gdansk, 80-765

☎ : +48-58-732-9760
☎ : +48-22-590-7230

Rutronik Polska Sp. z o.o.

ul. Batorego 28-32, 81-366 Gdynia,
Poland

☎ : +48-58-7832-020
☎ : +48-58-7832-022

ul. Bojkowska 37, 44-101 Gliwice,
Poland

☎ : +48-32-4612-000
☎ : +48-32-4612-001

ul. Broniewskiego 3, 01-785
Warszawa, Poland

☎ : +48-22-4627-050
☎ : +48-22-4627-055

Transfer Multisort Elektronik sp. z o.o.

ul. Ustronna 41, 93-350 Łódź,
Poland Endereço postal:
90-951 Łódź 40, PO BOX 2071

☎ : +48-42-645-54-44
☎ : +48-42-645-54-70

| PORTUGAL

PAN ELEKTRON S.R.L

Via P.F. Mola, 39, I-20156 Milano

☎ : +39-2-3300-7446
☎ : +39-2-3300-6042

| ROMANIA

Arrow Electronics

Cluj City Center
Calea Dorobantilor 14-16, 400117
Cluj-Napoca, Romania

☎ : +40-26-4417-251
☎ : +40-26-4417-253

Future Electronics

16 Eroilor Boulevard, Wing E, 2nd
Floor, Cluj-Napoca, 400129

☎ : +40-26-4457-774
☎ : +40-26-4457-775

Rutronik Elektronische Bauelemente GmbH

Calea 13 Septembrie no. 90, Floor
6, Room 6.20, Sector 5, 050726
Bucharest, Romania

☎ : +40-21-3000-141
☎ : +40-21-3000-143

Strada Martin Luther 2, 3rd floor,
300054 Timișoara, Romania

☎ : +40-25-6401-240
☎ : +40-25-6401-242

Transfer Multisort Elektronik s.r.l.

B-dul Regele Carol I, nr 36,
Apartament 10, 300180
Timișoara, Romania

☎ : +40 35 6467 401~3
☎ : +40-35-6467-400

| RUSSIA

Arrow Electronics

Mamonovsky Pereulok #6
Moskau 123001, Russia

☎ : +7-495-626-55-97
☎ : +7-495-626-55-98

Future Electronics

7 Dolgorukovskaya street,
Moscow, 127006

☎ : +7-967-1904-726
☎ : +1-514-6302-672

Rutronik Beteiligungsgesellschaft mbH

Levoberezhnaya street 12 Hotel
"Soyuz", office 316 125445
Moscow Russia

☎ : +7-499-9633-184

| SERBIA

Rutronik Elektronische Bauelemente GmbH

Maglajska 24a, SRB - 11000
Belgrade, Serbia

☎ : +381-11-3113-366
☎ : +381-11-3113-382

| SLOVAKIA

Arrow Electronics

Roznavska 24, Bratislava SK 82104,
Slovakia

☎ : +421-232-604-300
☎ : +421-262-604-311

Rutronik Elektronische Bauelemente GmbH, o.z.

Lazovná 11, 97401 Banská
Bystrica, Slovakia

☎ : +421-48-4722-3-00
☎ : +421-48-4722-3-08

TME Slovakia s.r.o.

Martina Rázusa 23A/8336, Žilina
010 01

☎ : +421-415-002-047
☎ : +421-415-643-420

| SLOVENIA

Arrow Electronics

Ukmarjeva Ulica 2, Suite 1
Ljubljana 1000, Slovenia

☎ : +38-61-28-35-604
☎ : +38-61-28-35-605

Rutronik Elektronische Bauelemente GmbH

Motnica 5, 1236 Trzin, Slovenia

☎ : +386-1-5610-9-80
☎ : +386-1-5610-9-88

| SPAIN

PAN ELEKTRON S.R.L

Via P.F. Mola, 39, I-20156 Milano

☎ : +39-2-330-07446

📠 : +39-2-330-06042

| SWEDEN

Arrow Electronics

FO Petersons gata 30 421 31

Gothenburg SE, Sweden

☎ : +46-31-721-9800

📠 : +46-31-721-9850

Kronborgsgränd 19 164 46 Kista,
Sweden

☎ : +46-85-626-5500

📠 : +46-85-626-5525

Future Electronics AB

Kista Science Tower, Kista, SE-164
51, Stockholm

☎ : +46-86-248-800

📠 : +46-86-248-890

Flöjelbergsgatan 8 B, Mölndal,
SE-431 35, Gothenburg

☎ : +46-31-338-2730

Rutronik Nordic AB

Kista Science Tower, Färögatan 33,
16451 Kista, Sweden

☎ : +46-85-055-4900

📠 : +46-85-055-4950

| SWITZERLAND

Arrow Electronics

En Chamard 35

1442 Montagny p/Yverdon,
Switzerland

☎ : +41-24-447-01-00

📠 : +41-24-445-52-45

Riedmattstrasse 9
Zurich CH 8153 Rumlang,
Switzerland

☎ : +41-44-81-76-262

📠 : +41-44-81-76-200

Future Electronics

Grabenwisstrasse 1, Volketswil,
CH-8604

☎ : +41-44-922-0022

📠 : +41-44-922-0011

**Rutronik Elektronische
Bauelemente AG**

Brunnenstrasse 1, 8604 Volketswil
Switzerland

☎ : +41-44-947-3737

📠 : +41-44-947-3747

Rue Galilée 15,
1400 Yverdon-les-Bains
Switzerland

☎ : +41-24-423-9140

| TURKEY

Arrow Electronics

Yeni Sk. VIP Plaza, No:5
Kat:1Kavacik, Beykoz 34810
Istanbul, Turkey

☎ : +90-216-680-4610

📠 : +90-216-680-4611

Future Eletronics

Barbaros Mahallesi, Ardic Sokak
No:4 Varyap Meridian G Blok
G2-11B-12-13, Atasehir, 34746,
Istanbul

☎ : +90-216-571-9700

📠 : +90-216-445-8704

**Ozdisan Elektronik Paz. San.
Ve Tic. A.S.**

Des Sanayi Sitesi 104 Sokak A07
Blok No.02, Yukari Dudullu,
Umraniye, Istanbul, Turkey

☎ : +90-216-420-1882

📠 : +90-216-466-3682

**Rutronik Elektronische
Bauelemente GmbH**

Barbaros Mahallesi, Ardic Sokak,
Varyap Meridian G2 Blok, No.: 09,
34746 Bati Atasehir, Istanbul

**Smh Semih Engineering
Trading Ltd.**

Hilmipasa Cad Parlar Apt. No. 35
Kat 6 D.16 Tr-81090 Kzyatagi/
Istanbul

☎ : +91-216-463-2057

| UKRAINE

Arrow Electronics

Garmatna str 21/30
Kiev 03067, Ukraine

☎ : +38-0-44-45-64-72-6

📠 : +38-0-44-45-64-72-6

| UNITED KINGDOM

Arrow Electronics

Kao 1, Kao Park, Hockham way,
Harlow Essex CM17 9NA,
United Kingdom

☎ : +44-1279-441144
📠 : +44-1279-455466

Unit 3A, Stephenson Court
Priory Business Park, Bedford
MK44 3WJ, United Kingdom

☎ : +44-1234-224050
📠 : +44-1234-224051

5 New York Street, Part Ground
Floor Manchester M1 6EJ,
United Kingdom

☎ : +44-161-233-8500
📠 : +44-161-233-8501

1320 Waterside, Arlington
Business Park, Theale Reading
Berkshire RG7 4SA, United Kingdom

☎ : +44-118-963-3800
📠 : +44-118-963-3801

Future Eletronics

The Glanty Egham, Surrey TW20
9AH, London

☎ : +44-1784-275-000
📠 : +44-1784-275-600

5th Floor, Suite 5.1, Building 8,
Exchange Quay, Salford, M5 3EJ,
Manchester

☎ : +44-161-876-0000
📠 : +44-161-877-1000

FREEWAY Lighting Solutions

2100 First Avenue, Newbury
Business Park London Road,
Newbury, Berkshire RG14 2PZ

☎ : +44-1635-555-979
📠 : +44-1635-555-998

Rutronik UK Ltd.

1-3 The Courtyard, Calvin Street,
Bolton BL1 8PB

☎ : +44-1204-363-311
📠 : +44-1204-367-550

Ormeau Business Park,Unit 25,
8 Cromac Avenue BT7 2JA Belfast

☎ : +44-2890-871-000
📠 : +44-2890-871-001

UNITED STATES

| ALABAMA

REP INC.

11535 GILLELAND ROAD
HUNTSVILLE, AL 35803
(CORPORATE OFFICE)

☎ : +1-256-881-9270
📠 : +1-256-882-6692

ARROW ELECTRONICS

HUNTSVILLE, AL 35805

☎ : +1-256-864-3350
📠 : +1-256-864-3399

AVNET, INC.

MADISON, AL 35758

☎ : +1-256-774-2600
📠 : +1-256-774-2624

DIGI-KEY

THIEF RIVER FALLS, MN 56701

☎ : +1-218-681-6674
📠 : +1-218-681-3380

FUTURE ELECTRONICS

HUNTSVILLE, AL 35816

☎ : +1-205-971-2010
📠 : +1-205-922-0004

MOUSER ELECTRONICS

MANSFIELD, TX 76063

☎ : +1-817-804-3888
📠 : +1-817-804-3899

| ARIZONA

REPTRONIX LTD.

7353 E. 6TH AVENUE SCOTTSDALE,
AZ 85251

☎ : +1-602-230-2630
📠 : +1-602-431-1087

ARROW ELECTRONICS

TEMPE, AZ 85282

☎ : +1-602-966-6600
📠 : +1-602-966-4826

AVNET, INC.

PHOENIX, AZ 85034

☎ : +1-480-643-8778
📠 : +1-480-643-8768

DIGI-KEY

THIEF RIVER FALLS, MN 56701

☎ : +1-218-681-6674
📠 : +1-218-681-3380

FUTURE ELECTRONICS

PHOENIX, AZ 85034

☎ : +1-800-950-7140
📠 : +1-602-629-3041

MOUSER ELECTRONICS

MANSFIELD, TX 76063

☎ : +1-817-804-3888
📠 : +1-817-804-3899

| ARKANSAS

RAM ELECTRONIC SALES

16901 NORTH DALLAS PARKWAY
#210 ADDISON, TX 75001

☎ : +1-469-533-2610
📠 : +1-469-533-2611

ARROW ELECTRONICS

TULSA, OK 74146

☎ : +1-918-252-7537
📠 : +1-918-254-1687

AVNET, INC.

TULSA, OK 74146

☎ : +1-918-459-6000
📠 : +1-918-459-6060

DIGI-KEY

THIEF RIVER FALLS, MN 56701

☎ : +1-218-681-6674
📠 : +1-218-681-3380

MOUSER ELECTRONICS

MANSFIELD, TX 76063

☎ : +1-817-804-3888
📠 : +1-817-804-3899

**| CALIFORNIA
(NORTH)**

**EWING-FOLEY, INC
(CUPERTINO, CA)**

10061 BUBB ROAD, SUITE 100
CUPERTINO, CA 95014

☎ : +1-408-342-1200
📠 : +1-408-342-1201

**EWING-FOLEY, INC
(SACRAMENTO, CA)**

13620 LINCOLN WAY, SUITE 100
AUBURN, CA 95603

☎ : +1-530-885-6591
📠 : +1-530-885-6594

ARROW ELECTRONICS

ROSEVILLE, CA 95661

☎ : +1-916-797-3200
📠 : +1-916-772-4220

ARROW ELECTRONICS

SANTA CLARA, CA 95051

☎ : +1-408-727-2500
📠 : +1-408-727-5896

AVNET, INC.

MILPITAS, CA 95035

☎ : +1-408-435-3500
📠 : +1-800-257-0568

DIGI-KEY

THIEF RIVER FALLS, MN 56701

☎ : +1-218-681-6674

📠 : +1-218-681-3380

FUTURE ELECTRONICS

RENO, NV 89502

☎ : +1-775-826-2500

📠 : +1-775-826-2664

FUTURE ELECTRONICS

ROSEVILLE, CA 95661

☎ : +1-916-783-7877

📠 : +1-916-783-7988

FUTURE ELECTRONICS

SAN JOSE, CA 95131

☎ : +1-408-434-1122

📠 : +1-408-262-0741

MOUSER ELECTRONICS

MANSFIELD, TX 76063

☎ : +1-817-804-3888

📠 : +1-817-804-3899

**CALIFORNIA
(SOUTH)**

WEST ELECTRONIC SALES

959 SOUTH COAST DRIVE, SUITE
#400 COSTA MESA, CA 92626

☎ : +1-714-689-8550

📠 : +1-714-689-8551

WEST ELECTRONIC SALES

5355 AVENIDA ENCINAS, STE 207
CARLSBAD, CA 92008

☎ : +1-760-929-1615

📠 : +1-760-929-1619

ARROW ELECTRONICS

WOODLAND HILLS, CA 91367

☎ : +1-818-932-1000

📠 : +1-818-932-1020

ARROW ELECTRONICS

FOOTHILL RANCH, CA 92610

☎ : +1-949-380-4700

📠 : +1-949-380-2801

ARROW ELECTRONICS

SAN DIEGO, CA 92131

☎ : +1-858-536-7600

📠 : +1-858-536-7690

AVNET ELECTRONICS

IRVINE, CA 92602

☎ : +1-949-789-4100

AVNET ELECTRONICS

SAN DIEGO, CA 92128

☎ : +1-858-385-7500

📠 : +1-858-385-7640

AVNET ELECTRONICS

WOODLAND HILLS, CA 91367

☎ : +1-818-594-8200

📠 : +1-818-594-8233

DIGI-KEY

THIEF RIVER FALLS, MN 56701

☎ : +1-800-344-4536

📠 : +1-218-681-3380

EDGE ELECTRONICS

HUNTINGTON BEACH, CA 92648

☎ : +1-949-752-0553

📠 : +1-949-752-0551

EDGE ELECTRONICS

THOUSAND OAKS, CA 91320

☎ : +1-805-443-1967

📠 : +1-631-471-3405

FUTURE ELECTRONIC

IRVINE, CA 92122

☎ : +1-949-453-1515

📠 : +1-949-453-1226

FUTURE ELECTRONIC

SAN DIEGO, CA 92122

☎ : +1-858-625-2800

📠 : +1-858-625-2810

MOUSER ELECTRONICS

EL CAJON, CA 92020

☎ : +1-619-449-2222

📠 : +1-619-449-6041

COLORADO

ENGLISH DAMCO SALES

3000 S. JAMAICA COURT SUITE
370 AURORA, CO 80014

☎ : +303-695-0706

📠 : +303-695-0827

ARROW ELECTRONICS

ENGLEWOOD, CO 80112

☎ : +1-303-600-1200

📠 : +1-303-600-1203

AVNET, INC.

ENGLEWOOD, CO 80111

☎ : +1-303-790-1662

📠 : +1-303-790-4991

DIGI-KEY

THIEF RIVER FALLS, MN 56701

☎ : +1-218-681-6674

📠 : +1-218-681-3380

FUTURE ELECTRONICS

GOLDEN, CO 80401

☎ : +1-303-277-0223

📠 : +1-303-277-0722

MOUSER ELECTRONICS

MANSFIELD, TX 76063

☎ : +1-817-804-3888

📠 : +1-817-804-3899

| COLORADO

ARROW ELECTRONICS

ENGLEWOOD, CO 80112

☎ : +1-303-600-1200

📠 : +1-303-600-1203

AVNET, INC.

ENGLEWOOD, CO 80111

☎ : +1-303-790-1662

📠 : +1-303-790-4991

DIGI-KEY

THIEF RIVER FALLS, MN 56701

☎ : +1-218-681-6674

📠 : +1-218-681-3380

FUTURE ELECTRONICS

GOLDEN, CO 80401

☎ : +1-303-277-0223

📠 : +1-303-277-0722

MOUSER ELECTRONICS

MANSFIELD, TX 76063

☎ : +1-817-804-3888

📠 : +1-817-804-3899

| CONNECTICUT

A/D SALES INC.

1500 DISTRICT AVENUE, 1ST &
2ND FLOORS BURLINGTON,
MA 01803

☎ : +1-978-851-5400

📠 : +1-978-851-5555

ARROW ELECTRONICS

WALLINGFORD, CT 06492

☎ : +1-203-265-7741

📠 : +1-203-265-7988

AVNET, INC.

WALLINGFORD, CT 06492

☎ : +1-203-284-5700

📠 : +1-203-284-5757

DIGI-KEY

THIEF RIVER FALLS, MN 56701

☎ : +1-218-681-6674

📠 : +1-218-681-3380

FUTURE ELECTRONICS

CHESHIRE, CT 06410

☎ : +1-203-250-0083

📠 : +1-203-250-0081

MOUSER ELECTRONICS

MANSFIELD, TX 76063

☎ : +1-817-804-3888

📠 : +1-817-804-3899

| DELAWARE

ASTRO REP MID ATLANTIC, INC.

1756 FOXWOOD DRIVE JAMISON,
PA 18929

☎ : +1-215-284-1539

📠 : +1-215-343-2052

ARROW ELECTRONICS

COLUMBIA, MD 21046

☎ : +1-410-309-0686

📠 : +1-410-309-0699

AVNET, INC.

COLUMBIA, MD 21046

☎ : +1-410-423-8800

📠 : +1-410-423-8860

DIGI-KEY

THIEF RIVER FALLS, MN 56701

☎ : +1-218-681-6674

📠 : +1-218-681-3380

FUTURE ELECTRONICS

LINTHICUM, MD 20701

☎ : +1-410-314-1111

📠 : +1-410-314-1110

MOUSER ELECTRONICS

MANSFIELD, TX 76063

☎ : +1-817-804-3888

📠 : +1-817-804-3899

| FLORIDA

REP INC.

213 MONTARA SEFFNER, FL 33584

☎ : +1-813-597-7957

📠 : +1-256-882-6692

REP INC.

1631 NE 7 PLACE FORT
LAUDERDALE, FL 33304

☎ : +1-954-347-2519

📠 : +1-256-882-6692

ARROW ELECTRONICS

DEERFIELD BEACH, FL33441

☎ : +1-954-429-8200

📠 : +1-954-428-3991

ARROW ELECTRONICS

LAKE MARY, FL 32746

☎ : +1-407-339-0078

📠 : +1-407-339-0139

AVNET, INC.

CLEARWATER, FL 33760

☎ : +1-727-507-5000

📠 : +1-727-507-5050

AVNET, INC.

FT LAUDERDALE, FL 33309

☎ : +1-954-484-5482

📠 : +1-954-484-2995

AVNET, INC.

WINTER PARK, FL 32792

☎ : +1-407-657-3300

📠 : +1-407-678-4414

DIGI-KEY

THIEF RIVER FALLS, MN 56701

☎ : +1-218-681-6674
 📠 : +1-218-681-3380

EDGE ELECTRONICS

OCALA, FL 34470

☎ : +1-352-484-1650
 📠 : +1-352-484-1754

EDGE ELECTRONICS

VENICE, FL 34285

☎ : +1-941-244-0984
 📠 : +1-941-244-0988

FUTURE ELECTRONICS

CLEARWATER, FL 33760

☎ : +1-727-531-3062
 📠 : +1-727-535-5871

FUTURE ELECTRONICS

DEERFIELD BEACH, FL 33442

☎ : +1-954-428-9494
 📠 : +1-954-428-9477

FUTURE ELECTRONICS

LAKE MARY, FL 32746

☎ : +1-407-865-9555
 📠 : +1-407-865-5969

MOUSER ELECTRONICS

MANSFIELD, TX 76063

☎ : +1-817-804-3888
 📠 : +1-817-804-3899

| GEORGIA

REP INC.

6825 JIMMY CARTER BLDV
 BUILDING 1300, SUITE 1302
 NORCROSS, GA 30071

☎ : +1-770-662-8982
 📠 : +1-770-662-0345

ARROW ELECTRONICS

DULUTH, GA 30096

☎ : +1-770-497-1300
 📠 : +1-770-476-1493

AVNET, INC.

DULUTH, GA 30096

☎ : +1-770-623-4400
 📠 : +1-770-476-8806

DIGI-KEY

THIEF RIVER FALLS, MN 56701

☎ : +1-218-681-6674
 📠 : +1-218-681-3380

FUTURE ELECTRONICS

DULUTH, GA 30096

☎ : +1-770-476-3900
 📠 : +1-770-476-8662

MOUSER ELECTRONICS

MANSFIELD, TX 76063

☎ : +1-817-804-3888
 📠 : +1-817-804-3899

| IDAHO (NORTH)

ARROW ELECTRONICS

BELLEVUE, WA 98007-6462

☎ : +1-425-643-9992
 📠 : +1-425-643-9709

AVNET, INC.

REDMOND, WA 98052

☎ : +1-425-882-7000
 📠 : +1-425-882-7070

DIGI-KEY

THIEF RIVER FALLS, MN 56701

☎ : +1-218-681-6674
 📠 : +1-218-681-3380

FUTURE ELECTRONICS

BOTHELL, WA 98021

☎ : +1-425-485-6616
 📠 : +1-425-483-6109

MOUSER ELECTRONICS

MANSFIELD, TX 76063

☎ : +1-817-804-3888
 📠 : +1-817-804-3899

| IDAHO (SOUTH)

ENGLISH DAMCO SALES

753 W. POTOMAC DR. MURRAY,
 UT 84123

☎ : +1-801-281-8626
 📠 : +1-801-281-8628

ARROW ELECTRONICS

SALT LAKE CITY, UT 84119

☎ : +1-801-973-8555
 📠 : +1-801-973-8909

AVNET, INC.

SALT LAKE CITY, UT 84121

☎ : +1-801-365-3800
 📠 : +1-801-365-3821

DIGI-KEY

THIEF RIVER FALLS, MN 56701

☎ : +1-218-681-6674
 📠 : +1-218-681-3380

FUTURE ELECTRONICS

SALT LAKE CITY, UT 84106

☎ : +1-801-467-4448
 📠 : +1-801-467-3604

MOUSER ELECTRONICS

MANSFIELD, TX 76063

☎ : +1-817-804-3888
 📠 : +1-817-804-3899

| ILLINOIS

SUMER INC.

1675 HICKS ROAD ROLLING MEADOWS, IL 60008

☎ : +1-847-991-8500
 📠 : +1-847-991-0474

JOHNSON COMPANY

1775 OLD HIGHWAY 8 SUITE 110 NEW BRIGHTON, MN 55112

☎ : +1-651-429-2544
 📠 : +1-651-429-3104

*Zip Codes 612xx thru 629xx

ARROW ELECTRONICS

ITASCA, IL 60143

☎ : +1-630-250-0500
 📠 : +1-630-250-0916

AVNET, INC.

HOFFMAN ESTATES, IL 60195

☎ : +1-847-396-7300
 📠 : +1-847-396-7323

EDGE ELECTRONICS

CHICAGO, IL

☎ : +1-805-458-1971
 📠 : +1-631-471-3405

DIGI-KEY

THIEF RIVER FALLS, MN 56701

☎ : +1-218-681-6674
 📠 : +1-218-681-3380

FUTURE ELECTRONICS

HOFFMAN ESTATES, IL 60195

☎ : +1-847-273-0067
 📠 : +1-847-490-9576

MOUSER ELECTRONICS

MANSFIELD, TX 76063

☎ : +1-817-804-3888
 📠 : +1-817-804-3899

| INDIANA

ELECTRO REPS

220 N. RANGELINE ROAD CARMEL, INDIANA 46032

☎ : +1-317-569-7202
 📠 : +1-317-569-7203

ELECTRO REPS

10111 NORTH 200 EAST ROANOKE, IN 46783

☎ : +1-260-403-5482
 📠 : +1-317-569-7203

ARROW ELECTRONICS

FORT WAYNE, IN 46825

☎ : +1-260-490-2323
 📠 : +1-260-497-8235

ARROW ELECTRONICS

INDIANAPOLIS, IN 46250

☎ : +1-317-913-1100
 📠 : +1-317-570-1344

AVNET, INC.

CARMEL, IN 46032

☎ : +1-317-575-3500
 📠 : +1-317-575-3535

DIGI-KEY

THIEF RIVER FALLS, MN 56701

☎ : +1-218-681-6674
 📠 : +1-218-681-3380

FUTURE ELECTRONICS

INDIANAPOLIS, IN 46250

☎ : +1-317-913-1355
 📠 : +1-317-913-1375

MOUSER ELECTRONICS

MANSFIELD, TX 76063

☎ : +1-817-804-3888
 📠 : +1-817-804-3899

| IOWA

JOHNSON COMPANY

1775 OLD HIGHWAY 8 SUITE 110 NEW BRIGHTON, MN 55112

☎ : +1-651-429-2544
 📠 : +1-651-429-3104

ARROW ELECTRONICS

EDEN PRARIE, MN 55344

☎ : +1-952-828-5350
 📠 : +1-952-828-5399

AVNET, INC.

CEDAR RAPIDS, IA 52402

☎ : +1-319-393-0303
 📠 : +1-319-393-7050

DIGI-KEY

THIEF RIVER FALLS, MN 56701

☎ : +1-218-681-6674
 📠 : +1-218-681-3380

FUTURE ELECTRONICS

CEDAR RAPIDS, IA 52402

☎ : +1-319-447-0822
 📠 : +1-319-447-9819

MOUSER ELECTRONICS

MANSFIELD, TX 76063

☎ : +1-817-804-3888
 📠 : +1-817-804-3899

| KANSAS

JOHNSON COMPANY

1775 OLD HIGHWAY 8 NW, SUITE
110 NEW BRIGHTON, MN 55112

☎ : +1-651-429-2544
📠 : +1-651-429-3104

AVNET, INC.

OVERLAND PARK, KANSAS 66210

☎ : +1-913-663-7900
📠 : +1-913-663-7979

| KENTUCKY

ELECTRO REPS

55 PINEHURST PLACE
SPRINGBORO, OH 45066

☎ : +1-937-974-5475
📠 : +1-317-569-7203

AVNET, INC.

COLUMBIA, MD 21046

☎ : +1-480-643-8389
📠 : +1-480-643-8768

DIGI-KEY

THIEF RIVER FALLS, MN 56701

☎ : +1-218-681-6674
📠 : +1-218-681-3380

MOUSER ELECTRONICS

BUDD LAKE, NJ 07828

☎ : +1-973-448-0050
📠 : +1-973-448-3753

| LOUISIANA

RAM ELECTRONIC SALES - HOUSTON

5102 TARNBROOK DRIVE
HOUSTON, TX 77084

☎ : +1-713-305-3654

AVNET, INC.

RICHARDSON, TEXAS 75082

☎ : +1-800-231-0253
📠 : +1-214-553-4395

AVNET, INC.

SUGARLAND, TEXAS 77478

☎ : +1-281-243-7330
📠 : +1-281-243-7140

| MAINE

A/D SALES INC.

1500 DISTRICT AVENUE, 1ST &
2ND FLOORS BURLINGTON,
MA 01803

☎ : +1-978-851-5400
📠 : +1-978-851-5555

ARROW ELECTRONICS

WILMINGTON, MA 01887

☎ : +1-800-444-0050
📠 : +1-978-694-6671

AVNET, INC.

PEABODY, MA 01960

☎ : +1-800-665-2895
📠 : +1-800-447-0602

DIGI-KEY

THIEF RIVER FALLS, MN 56701

☎ : +1-218-681-6674
📠 : +1-218-681-3380

EDGE ELECTRONICS

WOBURN, MA 01801

☎ : +1-781-376-1551
📠 : +1-781-376-0104

FUTURE ELECTRONICS

BOLTON, MA 01740

☎ : +1-978-779-3000
📠 : +1-978-779-3050

MOUSER ELECTRONICS

MANSFIELD, TX 76063

☎ : +1-817-804-3888
📠 : +1-817-804-3899

| MARYLAND

PINNACLE TECHNOLOGY SALES

1021 MILLCREEK DRIVE #5
FEASTERVILLE, PA 19053

☎ : +1-215-322-8370

ARROW ELECTRONICS

COLUMBIA, MD 21046

☎ : +1-410-309-0686
📠 : +1-410-309-0699

AVNET, INC.

COLUMBIA, MD 21046

☎ : +1-410-423-8800
📠 : +1-410-423-8860

DIGI-KEY

THIEF RIVER FALLS, MN 56701

☎ : +1-218-681-6674
📠 : +1-218-681-3380

FUTURE ELECTRONICS

LINTHICUM, MD 20701

☎ : +1-410-314-1111
📠 : +1-410-314-1110

MOUSER ELECTRONICS

MANSFIELD, TX 76063

☎ : +1-817-804-3888
📠 : +1-817-804-3899

| MASSACHUSETTS

A/D SALES INC.

1500 DISTRICT AVENUE, 1ST &
2ND FLOORS BURLINGTON,
MA 01803

☎ : +1-978-851-5400
☎ : +1-978-851-5555

ARROW ELECTRONICS

WILMINGTON, MA 01887

☎ : +1-800-444-0050
☎ : +1-978-694-6671

AVNET, INC.

PEABODY, MA 01960

☎ : +1-800-665-2895
☎ : +1-800-447-0602

DIGI-KEY

THIEF RIVER FALLS, MN 56701

☎ : +1-218-681-6674
☎ : +1-218-681-3380

EDGE ELECTRONICS

WOBURN, MA 01801

☎ : +1-781-376-1551
☎ : +1-781-376-0104

FUTURE ELECTRONICS

BOLTON, MA 01740

☎ : +1-978-779-3000
☎ : +1-978-779-3050

MOUSER ELECTRONICS

MANSFIELD, TX 76063

☎ : +1-817-804-3888
☎ : +1-817-804-3899

| MICHIGAN

SAND DRIVE SALES

5301 SAND DRIVE WEST OLIVE,
MI 49460

☎ : +1-616-399-2362
☎ : +1-616-405-3322 (CELL)

ARROW ELECTRONICS

PLYMOUTH, MI 48170

☎ : +1-734-455-0850
☎ : +1-734-455-6656

AVNET, INC.

PLYMOUTH, MI 48170

☎ : +1-734-416-5800
☎ : +1-734-416-4106

DIGI-KEY

THIEF RIVER FALLS, MN 56701

☎ : +1-218-681-6674
☎ : +1-218-681-3380

FUTURE ELECTRONICS

FARMINGTON HILLS, MI 48331

☎ : +1-248-489-1179
☎ : +1-248-489-1030

FUTURE ELECTRONICS

GRAND RAPIDS, MI 49512

☎ : +1-616-698-6800
☎ : +1-616-698-2155

MOUSER ELECTRONICS

MANSFIELD, TX 76063

☎ : +1-817-804-3888
☎ : +1-817-804-3899

| MINNESOTA

JOHNSON COMPANY

1775 OLD HIGHWAY 8 SUITE 110
NEW BRIGHTON, MN 55112

☎ : +1-651-429-2544
☎ : +1-651-429-3104

ARROW ELECTRONICS

EDEN PRARIE, MN 55344

☎ : +1-952-828-5350
☎ : +1-952-828-5399

AVNET, INC.

BLOOMINGTON, MN 55431

☎ : +1-952-346-3000
☎ : +1-952-881-9461

DIGI-KEY

THIEF RIVER FALLS, MN 56701

☎ : +1-218-681-6674
☎ : +1-218-681-3380

FUTURE ELECTRONICS

CHANHASSEN, MN 55317

☎ : +1-952-934-9100
☎ : +1-952-934-6700

MOUSER ELECTRONICS

MANSFIELD, TX 76063

☎ : +1-817-804-3888
☎ : +1-817-804-3899

| MISSISSIPPI

REP INC.

11535 GILLELAND ROAD
HUNTSVILLE, AL 35803
(CORPORATE OFFICE)

☎ : +1-256-881-9270
☎ : +1-256-882-6692

ARROW ELECTRONICS

HUNTSVILLE, AL 35805

☎ : +1-256-864-3300
☎ : +1-256-864-3349

AVNET, INC.

MADISON, AL 35758

☎ : +1-256-774-2600
☎ : +1-256-774-2624

DIGI-KEY

THIEF RIVER FALLS, MN 56701

☎ : +1-218-681-6674

📠 : +1-218-681-3380

FUTURE ELECTRONICS

HUNTSVILLE, AL 35805

☎ : +1-256-532-2200

📠 : +1-256-532-2210

MOUSER ELECTRONICS

MANSFIELD, TX 76063

☎ : +1-817-804-3888

📠 : +1-817-804-3899

| MISSOURI

JOHNSON COMPANY

1775 OLD HIGHWAY 8 NW, SUITE
110 NEW BRIGHTON, MN 55112

☎ : +1-651-429-2544

📠 : +1-651-429-3104

AVNET, INC

EARTH CITY, MO 63045

☎ : +1-314-770-6300

📠 : +1-314-770-6363

| MONTANA

ENGLISH DAMCO SALES

753 W. POTOMAC DR. MURRAY,
UT 84123

☎ : +1-801-281-8626

📠 : +1-801-281-8628

ARROW ELECTRONICS

SALT LAKE CITY, UT 84119

☎ : +1-801-973-8555

📠 : +1-801-973-8909

AVNET, INC.

SALT LAKE CITY, UT 84121

☎ : +1-801-365-3800

📠 : +1-801-365-3821

DIGI-KEY

THIEF RIVER FALLS, MN 56701

☎ : +1-218-681-6674

📠 : +1-218-681-3380

FUTURE ELECTRONICS

SALT LAKE CITY, UT 84106

☎ : +1-801-467-4448

📠 : +1-801-467-3604

MOUSER ELECTRONICS

MANSFIELD, TX 76063

☎ : +1-817-804-3888

📠 : +1-817-804-3899

| NEBRASKA

JOHNSON COMPANY

1775 OLD HIGHWAY 8 SUITE 110
NEW BRIGHTON, MN 55112

☎ : +1-651-429-2544

📠 : +1-651-429-3104

AVNET, INC

OVERLAND PARK, KANSAS 66210

☎ : +1-913-663-7900

📠 : +1-913-663-7979

| NEVADA (NORTH)

**EWING-FOLEY, INC
(SACRAMENTO, CA)**

13620 LINCOLN WAY, SUITE 100
AUBURN, CA 95603

☎ : +1-530-885-6591

📠 : +1-530-885-6594

ARROW ELECTRONICS

ROSEVILLE, CA 95661

☎ : +1-916-797-3200

📠 : +1-916-772-4220

AVNET, INC.

ROSEVILLE, CA 95678

☎ : +1-916-724-2104

📠 : +1-916-724-2110

DIGI-KEY

THIEF RIVER FALLS, MN 56701

☎ : +1-218-681-6674

📠 : +1-218-681-3380

FUTURE ELECTRONICS

RENO, NV 89502

☎ : +1-916-783-7877

📠 : +1-916-783-7988

MOUSER ELECTRONICS

BUDD LAKE, NJ 07828

☎ : +1-973-448-0050

📠 : +1-973-448-3753

| NEVADA (SOUTH)

REPTRONIX LTD.

7353 E. 6TH AVENUE SCOTTSDALE,
AZ 85251

☎ : +1-602-230-2630

📠 : +1-602-431-1087

ARROW ELECTRONICS

TEMPE, AZ 85281

☎ : +1-602-966-6600

📠 : +1-602-966-4826

AVNET, INC

PHOENIX, AZ 85034

☎ : +1-480-643-2000

📠 : +1-800-257-0568

DIGI-KEY

THIEF RIVER FALLS, MN 56701

☎ : +1-218-681-6674

📠 : +1-218-681-3380

FUTURE ELECTRONICS

RENO, NV 89502

☎ : +1-775-826-2500

📠 : +1-775-826-2664

MOUSER ELECTRONICS

MANSFIELD, TX 76063

☎ : +1-817-804-3888

📠 : +1-817-804-3899

NEW HAMPSHIRE

A/D SALES INC.

1500 DISTRICT AVENUE, 1ST & 2ND FLOORS

BURLINGTON, MA 01803

☎ : +1-978-851-5400

📠 : +1-978-851-5555

ARROW ELECTRONICS

WILMINGTON, MA 01887-1018

☎ : +1-978-658-7920

📠 : +1-978-661-6595

AVNET, INC.

PEABODY, MA 01960

☎ : +1-800-665-2895

📠 : +1-800-447-0602

BREVA ELECTRONICS

MERRIMACK, NH 03054

☎ : +1-603-429-1900

📠 : +1-603-429-1001

DIGI-KEY

THIEF RIVER FALLS, MN 56701

☎ : +1-218-681-6674

📠 : +1-218-681-3380

EDGE ELECTRONICS

AMHERST, NH 03031

☎ : +1-603-672-9761

📠 : +1-603-672-4762

MOUSER ELECTRONICS

MANSFIELD, TX 76063

☎ : +1-817-804-3888

📠 : +1-817-804-3899

NEW JERSEY (LOWER)

ASTRO REP MID ATLANTIC, INC.

1756 FOXWOOD DRIVE JAMISON, PA 18929

☎ : +1-215-284-1539

📠 : +1-215-343-2052

AVNET, INC.

MT. LAUREL, NJ 08054

☎ : +1-800-526-4812

📠 : +1-856-222-6464

DIGI-KEY

THIEF RIVER FALLS, MN 56701

☎ : +1-218-681-6674

📠 : +1-218-681-3380

EDGE ELECTRONICS

FLANDERS, NJ 07836

☎ : +1-732-239-8006

📠 : +1-631-237-4203

EDGE ELECTRONICS

HEWITT, NJ 07421

☎ : +1-973-632-6932

📠 : +1-631-237-4203

FUTURE ELECTRONICS

MT. LAUREL, NJ 08054

☎ : +1-856-787-9601

📠 : +1-856-787-9616

MOUSER ELECTRONICS

BUDD LAKE, NJ 07828

☎ : +1-973-448-0050

📠 : +1-973-448-3753

NEW JERSEY (UPPER)

ERA INC.

101 EISENHOWER PARKWAY, SUITE 300 ROSELAND, NJ 07068

☎ : +1-973-794-6600

📠 : +1-973-794-6599

ARROW ELECTRONICS

PINEBROOK, NJ 07058

☎ : +1-973-882-8358

📠 : +1-973-882-9109

AVNET, INC.

PARSIPPANY, NJ 07054

☎ : +1-973-515-1641

📠 : +1-973-515-1600

DIGI-KEY

THIEF RIVER FALLS, MN 56701

☎ : +1-218-681-6674

📠 : +1-218-681-3380

EDGE ELECTRONICS

HEWITT, NJ 07421

☎ : +1-973-632-6932

📠 : +1-631-471-3405

MOUSER ELECTRONICS

MANSFIELD, TX 76063

☎ : +1-817-804-3888

📠 : +1-817-804-3899

| NEW MEXICO

REPTRONIX

237-C EUBANK BLVD., N.E.
ALBUQUERQUE, NM 87123

☎ : +1-505-292-1718
☎ : +1-505-299-1611

ARROW ELECTRONICS

ALBUQUERQUE, NM 87112

☎ : +1-505-480-6212
☎ : +1-505-480-6212

AVNET, INC.

ALBUQUERQUE, NM 87113

☎ : +1-505-293-5119
☎ : +1-505-934-0146

DIGI-KEY

THIEF RIVER FALLS, MN 56701

☎ : +1-218-681-6674
☎ : +1-218-681-3380

MOUSER ELECTRONICS

MANSFIELD, TX 76063

☎ : +1-817-804-3888
☎ : +1-817-804-3899

| NEW YORK (LOWER)

ERA INC.

101 EISENHOWER PARKWAY, SUITE
300 ROSELAND, NJ 07068

☎ : +1-973-794-6600
☎ : +1-973-794-6599

ARROW ELECTRONICS

WHIPPANY, NJ 07981-1027

☎ : +1-973-265-3820
☎ : +1-973-265-3825

AVNET, INC.

MT. LAUREL, NJ 08054

☎ : +1-800-526-4812
☎ : +1-856-222-6464

DIGI-KEY

THIEF RIVER FALLS, MN 56701

☎ : +1-218-681-6674
☎ : +1-218-681-3380

EDGE ELECTRONICS

BOHEMIA, NY 11716

☎ : +1-800-647-3343
☎ : +1-631-471-3405

FUTURE ELECTRONICS

HAUPPAUGE, NY 11788

☎ : +1-631-348-4000
☎ : +1-631-234-6183

MOUSER ELECTRONICS

MANSFIELD, TX 76063

☎ : +1-817-804-3888
☎ : +1-817-804-3899

**| NEW YORK
(UPSTATE)**

**HARMON & SULLIVAN
ASSOCIATES, IN**

1490 CHILI AVE. ROCHESTER,
NY 14624

☎ : +1-585-235-3090
☎ : +1-585-464-8191

ARROW ELECTRONICS

ROCHESTER, NY 14623

☎ : +1-800-462-6422
☎ : +1-585-427-0735

ARROW ELECTRONICS

SYRACUSE, NY 13214

☎ : +1-315-233-5600
☎ : +1-315-449-9038

ARROW ELECTRONICS

VESTAL, NY 13850

☎ : +1-800-678-0010
☎ : +1-607-785-5546

AVNET, INC

ROCHESTER, NY 14623

☎ : +1-585-486-8300
☎ : +1-585-486-8350

DIGI-KEY

THIEF RIVER FALLS, MN 56701

☎ : +1-218-681-6674
☎ : +1-218-681-3380

FUTURE ELECTRONICS

ROCHESTER, NY 14625

☎ : +1-585-387-9550
☎ : +1-585-387-9563

FUTURE ELECTRONICS

SYRACUSE, NY 13212

☎ : +1-315-451-2371
☎ : +1-315-451-7258

MOUSER ELECTRONICS

MANSFIELD, TX 76063

☎ : +1-817-804-3888
☎ : +1-817-804-3899

| NORTH CAROLINA

REP INC.

303 WOOD STREET THOMASVILLE,
NC 27360

☎ : +1-919-908-6344
☎ : +1-256-881-6692

ARROW ELECTRONICS

RALEIGH, NC 27609

☎ : +1-919-876-3132
☎ : +1-919-878-9517

AVNET, INC.

RALEIGH, NC 27606

☎ : +1-919-859-9159
☎ : +1-919-859-3225

DIGI-KEY

THIEF RIVER FALLS, MN 56701

☎ : +1-218-681-6674

📠 : +1-218-681-3380

FUTURE ELECTRONICS

RALEIGH, NC 27616

☎ : +1-919-571-9942

📠 : +1-919-571-0928

MOUSER ELECTRONICS

MANSFIELD, TX 76063

☎ : +1-817-804-3888

📠 : +1-817-804-3899

| NORTH DAKOTA

JOHNSON COMPANY

1775 OLD HIGHWAY 8 SUITE 110

NEW BRIGHTON, MN 55112

☎ : +1-651-429-2544

📠 : +1-651-429-3104

ARROW ELECTRONICS

EDEN PRAIRIE, MN 55344

☎ : +1-952-828-5300

📠 : +1-952-828-5415

AVNET, INC.

BLOOMINGTON, MN 55431

☎ : +1-952-346-3000

📠 : +1-952-881-9461

DIGI-KEY

THIEF RIVER FALLS,
MN 56701-0677

☎ : +1-218-681-6674

📠 : +1-218-681-3380

FUTURE ELECTRONICS

CHANHASSEN, MN 55317

☎ : +1-952-934-9100

📠 : +1-952-934-6700

MOUSER ELECTRONICS

MANSFIELD, TX 76063

☎ : +1-817-804-3888

📠 : +1-817-804-3899

| OHIO

ELECTRO REPS

3458 TIMBERWOOD TRAIL

RICHFIELD, OH 44286

☎ : +1-330-659-9200

📠 : +1-317-569-7203

ELECTRO REPS, INC.

20799 NORTHWOOD AVE

FAIRVIEW PARK, OH 44126

☎ : +1-440-292-6165

📠 : +1-317-569-7203

ELECTRO REPS, INC.

55 PINEHURST PLACE

SPRINGBORO, OH 45066

☎ : +1-937-974-5475

📠 : +1-317-569-7203

ARROW ELECTRONICS

DAYTON, OH 45458

☎ : +1-937-428-7319

📠 : +1-937-428-7345

ARROW ELECTRONICS

OLON, OH 44139

☎ : +1-440-519-7422

📠 : +1-440-248-5490

AVNET, INC.

OLON, OH 44139

☎ : +1-440-349-7600

📠 : +1-440-248-4803

DIGI-KEY

THIEF RIVER FALLS, MN 56701

☎ : +1-218-681-6674

📠 : +1-218-681-3380

EDGE ELECTRONICS

DAYTON, OH 45458

☎ : +1-352-484-1650

📠 : +1-631-471-3405

FUTURE ELECTRONICS

BEAVERCREEK, OH 45430

☎ : +1-937-426-6090

📠 : +1-937-426-8490

FUTURE ELECTRONICS

OLON, OH 44139

☎ : +800-515-0090

📠 : +937-426-8490

MOUSER ELECTRONICS

MANSFIELD, TX 76063

☎ : +1-817-804-3888

📠 : +1-817-804-3899

| OKLAHOMA

RAM ELECTRONIC SALES

16901 NORTH DALLAS PARKWAY

#210 ADDISON, TX 75001

☎ : +1-469-533-2610

📠 : +1-469-533-2611

ARROW ELECTRONICS

TULSA, OK 74146

☎ : +1-918-252-7537

📠 : +1-918-254-1687

AVNET, INC.

TULSA, OK 74146

☎ : +1-918-459-6000

📠 : +1-918-459-6060

DIGI-KEY

THIEF RIVER FALLS, MN 56701

☎ : +1-218-681-6674

📠 : +1-218-681-3380

FUTURE ELECTRONICS

TULSA, OK 74136
 ☎ : +1-918-492-1500
 📠 : +1-918-492-4848

MOUSER ELECTRONICS

MANSFIELD, TX 76063
 ☎ : +1-817-804-3888
 📠 : +1-817-804-3899

| OREGON

ARROW ELECTRONICS

BEAVERTON, OR 97005
 ☎ : +1-503-629-8090
 📠 : +1-503-645-0611

AVNET, INC.

PORTLAND, OR 97223
 ☎ : +1-503-452-6900
 📠 : +1-503-452-6999

DIGI-KEY

THIEF RIVER FALLS, MN 56701
 ☎ : +1-218-681-6674
 📠 : +1-218-681-3380

EDGE ELECTRONICS

PORTLAND, OR 97223
 ☎ : +1-503-789-4912
 📠 : +1-631-471-3405

FUTURE ELECTRONICS

PORTLAND, OR 97224
 ☎ : +1-503-603-0956
 📠 : +1-503-603-0859

MOUSER ELECTRONICS

MANSFIELD, TX 76063
 ☎ : +1-817-804-3888
 📠 : +1-817-804-3899

**PENNSYLVANIA
(EASTERN)**

**ASTRO REP MID ATLANTIC,
INC.**

1756 FOXWOOD DRIVE JAMISON,
PA 18929
 ☎ : +1-215-284-1539
 📠 : +1-215-343-2052

ARROW ELECTRONICS

HORSHAM, PA 19044
 ☎ : +1-215-443-5150
 📠 : +1-215-672-2919

AVNET, INC

MT. LAUREL, NJ 08054
 ☎ : +1-856-222-6400
 📠 : +1-856-222-6464

DIGI-KEY

THIEF RIVER FALLS, MN 56701
 ☎ : +1-218-681-6674
 📠 : +1-218-681-3380

FUTURE ELECTRONICS

MT. LAUREL, PA 19044
 ☎ : +1-800-285-8873
 📠 : +1-856-787-9616

MOUSER ELECTRONICS

MANSFIELD, TX 76063
 ☎ : +1-817-804-3888
 📠 : +1-817-804-3899

**PENNSYLVANIA
(WEST)**

ELECTRO REPS, INC.

399 WAGON WHEEL TRAIL
WEXFORD, PA 15090
 ☎ : +1-724-612-7392
 📠 : +1-317-569-7203

ARROW ELECTRONICS

PITTSBURGH, PA 15239
 ☎ : +1-724-327-1130
 📠 : +1-724-327-4181

AVNET, INC

MT. LAUREL, NJ 08054
 ☎ : +1-856-222-6400
 📠 : +1-856-222-6464

DIGI-KEY

THIEF RIVER FALLS, MN 56701
 ☎ : +1-218-681-6674
 📠 : +1-218-681-3380

FUTURE ELECTRONICS

WEXFORD, PA 15090
 ☎ : +1-888-214-4101
 📠 : +1-724-935-1188

MOUSER ELECTRONICS

MANSFIELD, TX 76063
 ☎ : +1-817-804-3888
 📠 : +1-817-804-3899

| RHODE ISLAND

A/D SALES INC.

1500 DISTRICT AVENUE, 1ST &
2ND FLOORS BURLINGTON,
MA 01803
 ☎ : +1-978-851-5400
 📠 : +1-978-851-5555

ARROW ELECTRONICS

WILMINGTON, MA 01887
 ☎ : +1-978-658-7920
 📠 : +1-978-661-6595

AVNET, INC.

PEABODY, MA 01960
 ☎ : +1-800-665-2895
 📠 : +1-800-447-0602

DIGI-KEY

THIEF RIVER FALLS, MN 56701

☎ : +1-218-681-6674

📠 : +1-218-681-3380

FUTURE ELECTRONICS

BOSTON, MA 01740

☎ : +1-978-779-3111

📠 : +1-978-779-3199

MOUSER ELECTRONICS

MANSFIELD, TX 76063

☎ : +1-817-804-3888

📠 : +1-817-804-3899

| SOUTH CAROLINA

REP INC.

222 SOUTH BOULEVARD
ANDERSON, SC 29621

☎ : +1-704-905-7846

📠 : +1-864-222-8283

ARROW ELECTRONICS

RALEIGH, NC 27609

☎ : +1-919-876-3132

📠 : +1-919-878-9517

AVNET, INC.

RALEIGH, NC 27606

☎ : +1-919-859-9159

📠 : +1-919-859-3225

DIGI-KEY

THIEF RIVER FALLS, MN 56701

☎ : +1-218-681-6674

📠 : +1-218-681-3380

FUTURE ELECTRONICS

RALEIGH, NC 27616

☎ : +1-919-571-9942

📠 : +1-919-571-0928

MOUSER ELECTRONICS

MANSFIELD, TX 76063

☎ : +1-817-804-3888

📠 : +1-817-804-3899

| SOUTH DAKOTA

JOHNSON COMPANY

1775 OLD HIGHWAY 8 SUITE 110
NEW BRIGHTON, MN 55112

☎ : +1-651-429-2544

📠 : +1-651-429-3104

ARROW ELECTRONICS

EDEN PRAIRIE, MN 55344

☎ : +1-952-828-5300

📠 : +1-952-828-5415

AVNET, INC.

BLOOMINGTON, MN 55431

☎ : +1-952-346-3000

📠 : +1-952-881-9461

DIGI-KEY CORPORATION

THIEF RIVER FALLS, MN 56701

☎ : +1-218-681-6674

📠 : +1-218-681-3380

FUTURE ELECTRONICS

CHANHASSEN, MN 55317

☎ : +1-952-934-9100

📠 : +1-952-934-6700

MOUSER ELECTRONICS

MANSFIELD, TX 76063

☎ : +1-817-804-3888

📠 : +1-817-804-3899

| TEXAS

RAM ELECTRONIC SALES - DALLAS

2301 OHIO DRIVE, SUITE 250
PLANO, TX 75093

☎ : +1-972-985-5566

📠 : +1-972-985-5577

RAM ELECTRONIC SALES - HOUSTON

5102 TARNBROOK DRIVE
HOUSTON, TX 77084

☎ : +1-713-305-3654

RAM ELECTRONIC SALES - AUSTIN

PMB 101 2800 E. WHITESTONE
BLVD, SUITE 120 CEDAR PARK,
TX 78613

☎ : +1-512-250-5082

📠 : +1-512-250-0421

ARROW ELECTRONICS

HOUSTON, TX 77042

☎ : +1-713-784-9953

📠 : +1-713-953-9953

ARROW ELECTRONICS

PLANO, TX 75093

☎ : +1-972-985-6600

📠 : +1-972-985-6602

AVNET, INC.

AUSTIN, TX 78727

☎ : +1-512-219-3700

📠 : +1-512-219-3737

AVNET, INC.

DALLAS, TX 75243

☎ : +1-214-553-4300

📠 : +1-214-553-4395

AVNET, INC.

HOUSTON, TX 77027

☎ : +1-713-627-9800

📠 : +1-713-629-3939

DIGI-KEY

THIEF RIVER FALLS, MN 56701

☎ : +1-218-681-6674
 📠 : +1-218-681-3380

EDGE ELECTRONICS

CARROLLTON, TX 75007

☎ : +1-972-323-7977
 📠 : +1-972-323-8530

FUTURE ELECTRONICS

AUSTIN, TX 78731

☎ : +1-512-502-0991
 📠 : +1-512-502-0740

FUTURE ELECTRONICS

HOUSTON, TX 77042

☎ : +1-713-785-1155
 📠 : +1-713-785-4558

FUTURE ELECTRONICS

PLANO, TX 75075

☎ : +1-469-467-0080
 📠 : +1-469-467-0078

MOUSER ELECTRONICS

MANSFIELD, TX 76063

☎ : +1-817-804-3888
 📠 : +1-817-804-3899

| TEXAS - EL PASO

BORDER GROUP

5326 ROCKWOOD ROAD EL PASO,
 TX 79932

☎ : +1-915-581-7920
 📠 : +1-915-581-7920

ARROW ELECTRONICS

EL PASO, TX 79922

☎ : +1-915-834-6100
 📠 : +1-915-834-6101

AVNET, INC.

EL PASO, TX 79906

☎ : +1-956-345-6370
 📠 : +1-512-287-4052

DIGI-KEY

THIEF RIVER FALLS, MN 56701

☎ : +1-218-681-6674
 📠 : +1-218-681-3380

EDGE ELECTRONICS

CARORLTON, TX 75007-4469

☎ : +1-972-323-7977
 📠 : +1-631-650-3514

FUTURE ELECTRONICS

EL PASO, TX 79935

☎ : +1-800-444-0050
 📠 : +1-514-695-3707

MOUSER ELECTRONICS

MANSFIELD, TX 76063

☎ : +1-817-804-3888
 📠 : +1-817-804-3899

| TENNESSEE

REP INC.

11535 GILLELAND ROAD
 HUNTSVILLE, AL 35803
 (CORPORATE OFFICE)

☎ : +1-256-881-9270
 📠 : +1-256-882-6692

ARROW ELECTRONICS

HUNTSVILLE, AL 35805

☎ : +1-256-864-3300
 📠 : +1-256-864-3349

AVNET, INC.

MADISON, AL 35758

☎ : +1-256-774-2600
 📠 : +1-256-774-2624

DIGI-KEY

THIEF RIVER FALLS, MN 56701

☎ : +1-218-681-6674
 📠 : +1-218-681-3380

EDGE ELECTRONICS

FRANKLIN, TN 37064

☎ : +1-615-472-1331
 📠 : +1-631-471-3343

FUTURE ELECTRONICS

HUNTSVILLE, AL 35805

☎ : +1-256-532-2200
 📠 : +1-256-532-2210

MOUSER ELECTRONICS

MANSFIELD, TX 76063

☎ : +1-817-804-3888
 📠 : +1-817-804-3899

| UTAH

ENGLISH DAMCO SALES

6914 S. REDWOOD ROAD SUITE
 112 WEST JORDAN, UT 84084

☎ : +1-801-840-4929
 📠 : +1-801-281-8628

ARROW ELECTRONICS

SALT LAKE CITY, UT 84119

☎ : +1-801-973-8555
 📠 : +1-801-973-8909

AVNET, INC.

SALT LAKE CITY, UT 84121

☎ : +1-801-365-3800
 📠 : +1-801-365-3821

DIGI-KEY

THIEF RIVER FALLS, MN 56701

☎ : +1-218-681-6674
 📠 : +1-218-681-3380

FUTURE ELECTRONICS

SALT LAKE CITY, UT 84106

☎ : +1-801-467-4448

📠 : +1-801-467-3604

MOUSER ELECTRONICS

MANSFIELD, TX 76063

☎ : +1-817-804-3888

📠 : +1-817-804-3899

| VERMONT

A/D SALES INC.

1500 DISTRICT AVENUE, 1ST &
2ND FLOORS BURLINGTON,
MA 01803

☎ : +1-978-851-5400

📠 : +1-978-851-5555

ARROW ELECTRONICS

WILMINGTON, MA 01887

☎ : +1-978-658-7920

📠 : +1-1978-661-6595

AVNET, INC.

PEABODY, MA 01960

☎ : +1-800-665-2895

📠 : +1-800-447-0602

DIGI-KEY

THIEF RIVER FALLS, MN 56701

☎ : +1-218-681-6674

📠 : +1-218-681-3380

FUTURE ELECTRONICS

BOSTON, MA 01740

☎ : +1-978-779-3111

📠 : +1-978-779-3199

MOUSER ELECTRONICS

MANSFIELD, TX 76063

☎ : +1-817-804-3888

📠 : +1-817-804-3899

| VIRGINIA

PINNACLE TECHNOLOGY SALES

1021 MILLCREEK DRIVE #5
FEASTERVILLE, PA 19053

☎ : +1-215-322-8370

ARROW ELECTRONICS

PITTSBURG, PA 15239

☎ : +1-724-327-1130

📠 : +1-724-327-4181

AVNET, INC.

MT. LAUREL, NJ 08054

☎ : +1-800-526-4812

📠 : +1-856-222-6464

DIGI-KEY

THIEF RIVER FALLS, MN 56701

☎ : +1-218-681-6674

📠 : +1-218-681-3380

FUTURE ELECTRONICS

WEXFORD, PA 15090

☎ : +1-724-935-9600

📠 : +1-724-935-1188

MOUSER ELECTRONICS

BUDD LAKE, NJ 07828

☎ : +1-973-448-0050

📠 : +1-973-448-3753

| WASHINGTON

ARROW ELECTRONICS

BELLEVUE, WA 98004

☎ : +1-425-643-9992

📠 : +1-425-643-9709

AVNET, INC.

REDMOND, WA 98052

☎ : +1-425-882-7000

📠 : +1-425-882-7070

DIGI-KEY

THIEF RIVER FALLS, MN 56701

☎ : +1-218-681-6674

📠 : +1-218-681-3380

FUTURE ELECTRONICS

BOTHELL, WA 98021

☎ : +1-206-489-3400

📠 : +1-206-489-3411

MOUSER ELECTRONICS

MANSFIELD, TX 76063

☎ : +1-817-804-3888

📠 : +1-817-804-3899

| WASHINGTON D.C.

PINNACLE TECHNOLOGY SALES

1021 MILLCREEK DRIVE #5
FEASTERVILLE, PA 19053

☎ : +1-215-322-8370

ARROW ELECTRONICS

COLUMBIA, MD 21046

☎ : +1-410-309-0686

📠 : +1-410-309-0699

AVNET, INC.

COLUMBIA, MD 21046

☎ : +1-410-423-8800

📠 : +1-410-423-8860

DIGI-KEY

THIEF RIVER FALLS, MN 56701

☎ : +1-218-681-6674
 📠 : +1-218-681-3380

FUTURE ELECTRONICS

LINTHICUM, MD 21090

☎ : +1-410-859-1720
 📠 : +1-410-684-3291

MOUSER ELECTRONICS

MANSFIELD, TX 76063

☎ : +1-817-804-3888
 📠 : +1-817-804-3899

| WEST VIRGINIA

ELECTRO REPS, INC.

399 WAGON WHEEL TRAIL
 WEXFORD, PA 15090

☎ : +1-724-612-7392
 📠 : +1-317-569-7203

ARROW ELECTRONICS

PITTSBURG, PA 15239

☎ : +1-724-327-1130
 📠 : +1-724-327-4181

AVNET, INC.

PARSIPPANY, NJ 07054

☎ : +1-973-515-1641
 📠 : +1-973-515-1600

DIGI-KEY

THIEF RIVER FALLS, MN 56701

☎ : +1-218-681-6674
 📠 : +1-218-681-3380

FUTURE ELECTRONICS

WEXFORD, PA 15090

☎ : +1-724-935-9600
 📠 : +1-724-935-1188

MOUSER ELECTRONICS

MANSFIELD, TX 76063

☎ : +1-817-804-3888
 📠 : +1-817-804-3899

**WISCONSIN -
 FAR WESTERN
 (EAU CLAIRE COUNTY)**

JOHNSON COMPANY

1775 OLD HIGHWAY 8 SUITE 110
 NEW BRIGHTON, MN 55112

☎ : +1-651-429-2544
 📠 : +1-651-429-3104
 * Zip codes 540xx,
 546xx thru 548xx

ARROW ELECTRONICS

EDEN PRAIRIE, MN 55344

☎ : +1-952-828-5350
 📠 : +1-952-828-5399

AVNET, INC.

BLOOMINGTON, MN 55431

☎ : +1-952-346-3000
 📠 : +1-952-881-9461

DIGI-KEY

THIEF RIVER FALLS, MN 56701

☎ : +1-218-681-6674
 📠 : +1-218-681-3380

FUTURE ELECTRONICS

MINNETONKA, MN 55343

☎ : +1-952-852-0032
 📠 : +1-952-294-0414

MOUSER ELECTRONICS

MANSFIELD, TX 76063

☎ : +1-817-804-3888
 📠 : +1-817-804-3899

| WISCONSIN

SUMER, INC.

250 NORTH SUNNY SLOPE ROAD
 STE 260 BROOKFIELD, WI 53005

☎ : +1-262-784-6641
 📠 : +1-262-784-1436

ARROW ELECTRONICS

ITASCA, IL 60143

☎ : +1-630-250-0500
 📠 : +1-630-250-0916

AVNET, INC.

PEWAUKEE, WI 53072

☎ : +1-262-513-1500
 📠 : +1-262-513-1544

DIGI-KEY

THIEF RIVER FALLS, MN 56701

☎ : +1-218-681-6674
 📠 : +1-218-681-3380

FUTURE ELECTRONICS

BROOKFIELD, WI 53045

☎ : +1-262-879-0244
 📠 : +1-262-879-0250

MOUSER ELECTRONICS

MANSFIELD, TX 76063

☎ : +1-817-804-3888
 📠 : +1-817-804-3899

CANADA

| TORONTO

JLT & ASSOCIATES, INC

22 SHAVER AVENUE NORTH
TORONTO, ON M9B 4N4 CANADA

☎ : +1-705-436-1625
📠 : +1-705-730-9859

ARROW ELECTRONICS

MISSISSAUGA, ONTARIO L5T 2L6

☎ : +1-800-235-3497
📠 : +1-905-670-7781

AVNET ELECTRONICS

MISSISSAUGA, ON L5N 5M4

☎ : +1-905-812-4400
📠 : +1-905-812-4459

ELECTROSONIC

TORONTO, ONTARIO M2H 3B3

☎ : +1-416-494-1666
📠 : +1-416-496-3030

FUTURE ELECTRONICS

MISSISSAUGA, ONTARIO L4V 1W5

☎ : +1-905-624-1125
📠 : +1-905-624-1124

| QUEBEC CITY

JLT & ASSOCIATES INC.

251 SECOND AVENUE OTTAWA,
ON K1S 2H8

☎ : +1-613-565-9131
📠 : +1-416-245-9925

ARROW ELECTRONICS

ONTARIO, CANADA K2K 2M5

☎ : +1-613-271-8200
📠 : +1-613-271-8203

AVNET ELECTRONICS

NEPEAN, ONTARIO K2E 7J5

☎ : +1-613-226-1700
📠 : +1-613-226-1184

ELECTROSONIC

OTTAWA, ONTARIO K1Z 8N8

☎ : +1-613-28-8333
📠 : +1-613-728-2263

FUTURE ELECTRONICS

OTTAWA, ONTARIO K2C 2B5

☎ : +1-613-727-1800
📠 : +1-613-727-9819

| BRITISH COLUMBIA

DAVETEK MARKETING, INC.

444-604 COLUMBIA STREET NEW
WESTMINSTER, BC CANADA

☎ : +1-604-430-3680
📠 : +1-604-435-5490

ARROW ELECTRONICS

BURNABY, BC

☎ : +1-604-630-4331
📠 : +1-604-630-4301

AVNET INC.

BURNABY, BC

☎ : +1-800-663-5500
📠 : +1-604-420-5376

ELECTROSONIC

CALGARY, ALBERTA

☎ : +1-403-255-9550
📠 : +1-403-255-0449

ELECTROSONIC

EDMONTON, ALBERTA

☎ : +1-780-413-0859
📠 : +1-780-413-0992

ELECTROSONIC

RICHMOND, BC

☎ : +1-604-273-2911
📠 : +1-604-273-7360

ELECTROSONIC

WINNIPEG, MANITOBA

☎ : +1-204-783-3105
📠 : +1-204-774-7288

FUTURE ELECTRONICS

CALGARY, ALBERTA

☎ : +1-403-219-3443
📠 : +1-403-291-7054

FUTURE ELECTRONICS

VANCOUVER, BC

☎ : +1-604-294-1166
📠 : +1-604-294-1206

**| ALBERTA,
SASKATCHEWAN &
MANITOBA**

DAVETEK MARKETING, INC.

105A 8988 FRASERTON COURT
BURNABY, B.C. V5J 5H8

☎ : +1-604-430-3680
📠 : +1-604-435-5490

ARROW ELECTRONICS

BURNABY, BC

☎ : +1-604-630-4331
📠 : +1-604-630-4301

AVNET INC.

BURNABY, BC

☎ : +1-800-663-5500
📠 : +1-604-420-5376

ELECTROSONIC

CALGARY, ALBERTA

☎ : +1-403-255-9550
📠 : +1-403-255-0449

ELECTROSONIC

EDMONTON, ALBERTA

☎ : +1-780-413-0859

📠 : +1-780-413-0992

ELECTROSONIC

RICHMOND, BC

☎ : +1-604-273-2911

📠 : +1-604-273-7360

ELECTROSONIC

WINNIPEG, MANITOBA

☎ : +1-204-783-3105

📠 : +1-204-774-7288

FUTURE ELECTRONICS

CALGARY, ALBERTA

☎ : +1-403-219-3443

📠 : +1-403-291-7054

FUTURE ELECTRONICS

VANCOUVER, BC

☎ : +1-604-294-1166

📠 : +1-604-294-1206

ARROW ELECTRONICS

BURNABY, BC

☎ : +1-604-630-4331

📠 : +1-604-630-4301

MEXICO

**JALISCO & ALL NON
BORDER STATES**

PHOENIX REP SALES

TAPALPA #2 COL. VALLARTA

PONIENTE C.P. 44110

GUADALAJARA, JALISCO, MEXICO

☎ : +52-333-123-9199

📠 : +52-333-123-9798

ARROW ELECTRONICS

ZAPOPAN, JALISCO 45150

☎ : +52-333-120-2600

📠 : +52-333-833-2291

AVNET INC.

TLAQUEPAQUE, JALISCO 45080

☎ : +52-333-134-2300

📠 : +52-333-133-1788

FUTURE ELECTRONICS

ZAPOPAN, JALISCO 45050

☎ : +52-333-122-0043

📠 : +52-333-122-6610

**JUAREZ &
CHIHUAHUA CITY**

BORDER GROUP

5326 ROCKWOOD ROAD EL PASO,
TX 79932

☎ : +1-915-581-7920

📠 : +1-915-581-7920

ARROW ELECTRONICS

ZAPOPAN, JALISCO 45150

☎ : +52-333-120-2600

📠 : +52-333-833-2291

AVNET INC.

TLAQUEPAQUE, JALISCO 45080

☎ : +52-333-134-2300

📠 : +52-333-133-1788

FUTURE ELECTRONICS

ZAPOPAN, JALISCO 45050

☎ : +52-333-122-0043

📠 : +52-333-122-6610

NOGALES

REPTRONIX, LTD.

2223 S. 48TH STREET TEMPE,
AZ 85282

☎ : +1-602-230-2630

📠 : +1-602-431-1087

ARROW ELECTRONICS

ZAPOPAN, JALISCO 45150

☎ : +52-333-120-2600

📠 : +52-333-833-2291

AVNET INC.

TLAQUEPAQUE, JALISCO 45080

☎ : +52-333-134-2300

📠 : +52-333-133-1788

FUTURE ELECTRONICS

ZAPOPAN, JALISCO 45050

☎ : +52-333-122-0043

📠 : +52-333-122-6610

TIJUANA

WEST ELECTRONIC SALES

5355 AVENIDA ENCINAS,
STE 207 CARLSBAD, CA 92008

☎ : +1-760-929-1615

📠 : +1-760-929-1619

ARROW ELECTRONICS

ZAPOPAN, JALISCO 45150

☎ : +52-333-120-2600

📠 : +52-333-833-2291

AVNET INC.

TLAQUEPAQUE, JALISCO 45080

☎ : +52-333-134-2300

📠 : +52-333-133-1788

FUTURE ELECTRONICS

ZAPOPAN, JALISCO 45050

☎ : +52-333-122-0043

📠 : +52-333-122-6610

**TEXAS BORDER
ACUNA, REYNOSA,
MATAMOROS,
LAREDO**

RAM ELECTRONIC SALES

2482 VALLE DE ARARECO JUAREZ
MEXICO 32546

☎ : +1-915-491-3360

📠 : +1-469-533-2611

ARROW ELECTRONICS

ZAPOPAN, JALISCO 45150

☎ : +52-333-120-2600

📠 : +52-333-833-2291

AVNET INC.

TLAQUEPAQUE, JALISCO 45080

☎ : +52-333-134-2300

📠 : +52-333-133-1788

FUTURE ELECTRONICS

ZAPOPAN, JALISCO 45050

☎ : +52-333-122-0043

📠 : +52-333-122-6610

BRAZIL

| SAO PAULO

TRADECOMP

RUA SANSÃO ALVES DOS SANTOS,
433 CJ61 SAO PAULO - SP
04571-090 BRASIL

☎ : +55-11-5507-2627

📠 : +55-11-5505-7905

ARROW ELECTRONICS

BARRA FUNDA, SP BRAZIL

☎ : +55-11-3613 9300

📠 : +55-11-3613 9355

AVNET ELECTRONICS

SAO PAULO, SP BRAZIL

☎ : +55-11-5079-2150

📠 : +55-11-5079-2160

FUTURE ELECTRONICS

CAMPINAS, SP BRAZIL

☎ : +55-19-3737-4126

📠 : +55-19-3236-9834

BRANCH OFFICES

HEADQUARTERS

LITE-ON Technology Corp.

90, Chien 1 Road, Chung Ho,
New Taipei City, 23585 Taiwan

☎ : +886-2-2222-6181

☎ : +886-2-2221-1948

<http://www.liteon.com/opto>

FACTORY

LITE-ON Electronics (Tian Jin) Co., LTD

No.11 Fu Yuan Road, Wuqing
Development Area,
Tianjin 301700 China

☎ : +86-22-8219-3000

☎ : +86-22-8212-2405

LITE-ON Technology (Chang Zhou) Co., LTD

No.88, Yanghu Road, Wujin
Hi-Tech Industrial Development
Zone, Jiangsu, 213166 China

☎ : +86-519-8306-8888

☎ : +86-519-8306-9999

LITE-ON Electronics (Thailand) Co., LTD

38/4 Moo 1, Rangsit Ongkarak
Road, Bunyeetoh Tanyaburi
Patthumthani 12130 Bangkok
Thailand

☎ : +662-5331-208-16

☎ : +662-5331-747

SALES OFFICE

| AMERICA

Milpitas, California

LITE-ON, INC.

720 S. Hillview Drive Milpitas,
CA 95035

☎ : +1-408-946-4873

☎ : +1-408-941-4597

Austin, Texas

LITE-ON, INC.

1826 Kramer Lane Building A,
Suite D Austin, TX 78758

☎ : +1-512-835-6052

☎ : +1-512-835-4942

Dallas, Texas

LITE-ON, INC.

8917 Honeysuckle Dr. Argyle,
TX 76226

☎ : +1-972-539-5702

☎ : +1-512-835-4942

Atlanta, Georgia

LITE-ON, INC.

1781 Hickory Path Way Suwanee,
GA 30024

☎ : +1-512-691-3344

+1-770-843-9002 (CELL)

☎ : +1-512-835-4942

Chicago, Wisconsin

LITE-ON, INC.

23201-117th Street Trevor,
WI 53179

☎ : +1-262-862-9451

☎ : +1-262-862-9460

| ASIA / PACIFIC

LITE-ON Electronics (Tian Jin) Co., LTD

No.11 Fu Yuan Road, Wuqing
Development Area, Tianjin 301700
China

☎ : +86-22-8219-3000

☎ : +86-22-8212-2405

LITE-ON Technology (Chang Zhou) Co., LTD

No. 88, Yanghu Road, Wujin
Hi-Tech Industrial Development
Zone, Jiangsu, 213166 China

☎ : +86-519-8306-8888

☎ : +86-519-8306-9999

LITE-ON Technology (Dongguang) Co., LTD

No.1, Zheng An Road, Shang
Jiao Section Chang An Town,
Dongguang City, Guangdong,
523878 China

☎ : +86-519-8306-8888

☎ : +86-519-8306-9999

LITE-ON Electronics H.K. LTD.

RM904-905, 9/FI., International
Plaza, 20 Sheung Yuet Road,
Kowloon Bay, Kowloon 523878
H.K.

☎ : +852-2796-3012~4

☎ : +852-2796-0044

LITE-ON JAPAN LTD

8F, No.2 Dic Bidg., 2-16-2
Sotokanda, Chiyoda-Ku,
Tokyo 101-0021 Japan

☎ : +81-3-3258-6502

☎ : +81-3-3258-6505

Lite-ON Singapore Pte LTD

22, Sin Ming Lane, #03-83 Midview
City Singapore 573969

☎ : +65-6349-0918

☎ : +65-6349-0910

| EUROPE

LITE-ON Electronics (Europe) LTD

23 Apex Business Village
Cramlington Northumberland
NE23 7BF, UK

☎ : +44-191-250-4931

☎ : +44-191-250-4798

LITE-ON Technology (Europe) B.V.

Havelstrasse 7,
24539 Neumuenster, Germany

☎ : +49-4321-55555-0

☎ : +49-4321-55555-29

| Note

| Note

| Note



LITEON

光寶科技股份有限公司

23585 台灣新北市中和區建一路90號

Tel +886-2-2222-6181

Fax +886-2-2221-1948

LITE-ON TECHNOLOGY CORP.

90, Chien 1 Road, Chung Ho, New Taipei City

23585, Taiwan, R.O.C.



www.liteon.com/opto