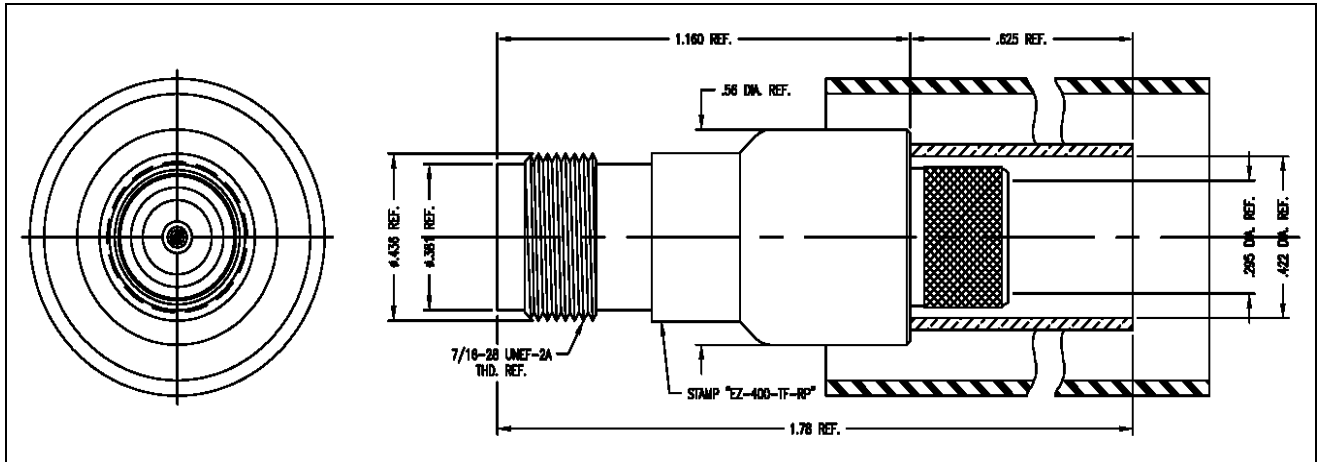


LTR	DESCRIPTION	DATE	BY
-	Released	6/14/99	JCL



**I. MATERIALS & FINISHES**

- center contact: Gold Plated Beryllium Copper – male pin
- outer contact: Alballoy Plated Brass
- body: Alballoy Plated Brass
- crimp sleeve: Alballoy Plated Copper
- dielectric: Teflon® PTFE
- shrink sleeve: Adhesive Lined Polyolefin
- crimp size: .429" hex (M22520/5-61)

**II. ELECTRICAL PROPERTIES**

- impedance: 50 ohms
- working voltage: 500 vrms (max)
- vswr: 1.25:1 (max) up to 3 GHz
- insertion loss: 0.1 x √Fghz

Unless otherwise specified, dimensions are in inches. Tolerances are applicable when specified.

These drawings and specifications contain proprietary information which is the property of Times Microwave Systems.

Approvals		
Drawn	JCL	6/14/99
Check		
Prj. Mgr.		
Prd. Mgr.		
QA Mgr.		



**TIMES MICROWAVE SYSTEMS**

Wallingford, CT 06492  
 (203) 949-8400; (203) 949-8423.Fax  
 www.timesmicrowave.com

**EZ-400-TF-RP**  
**Reverse Polarity TNC Female (male pin)**  
**for LMR-400 Cable**

Size A	CAGE CODE <b>68999</b>	Drawing No.: <b>3190-795</b>
Scale: NA	Rev. ( )	Sheet: 1 of 1