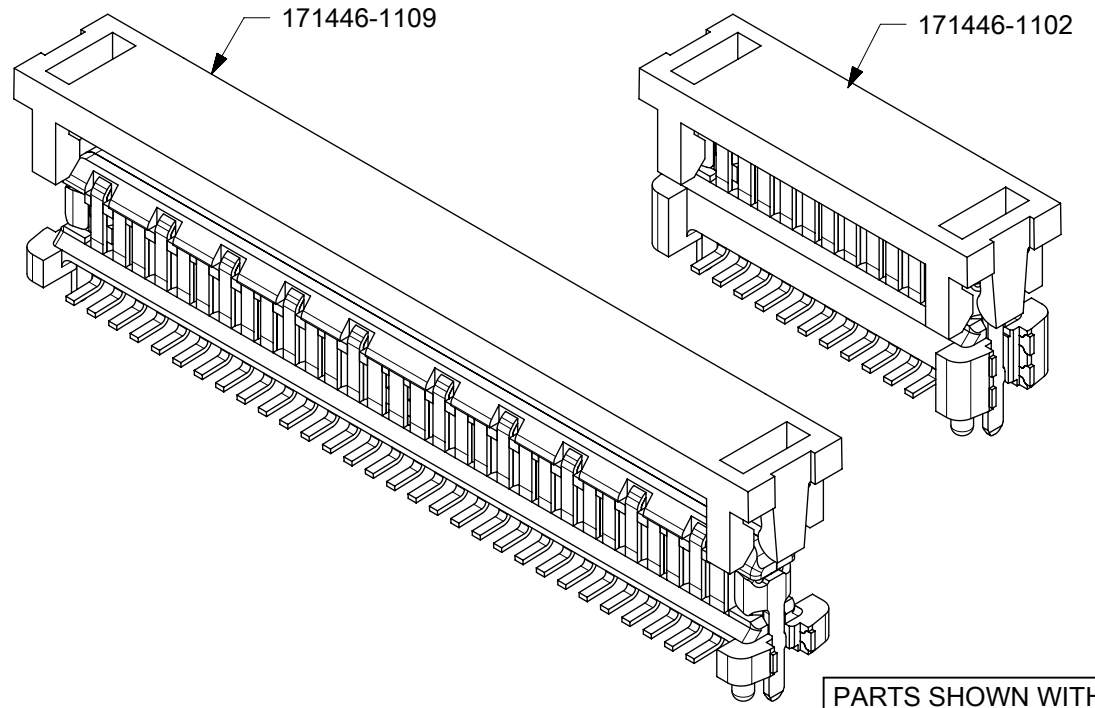
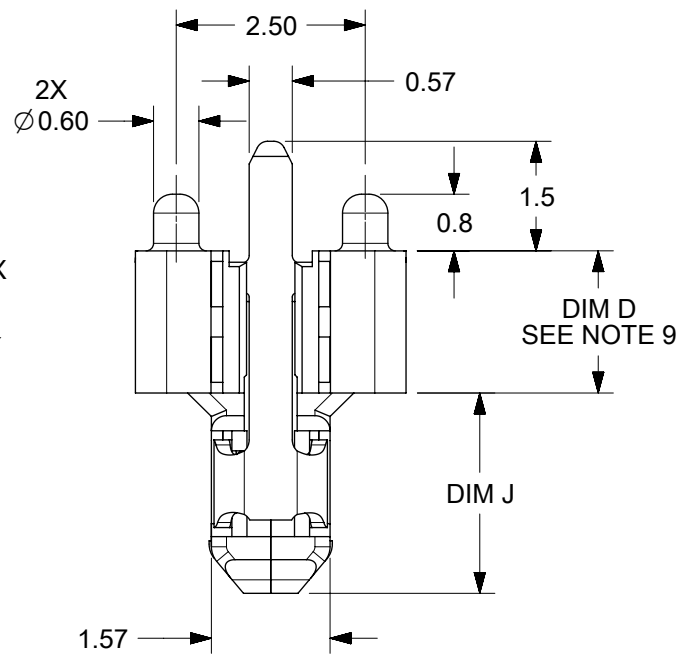
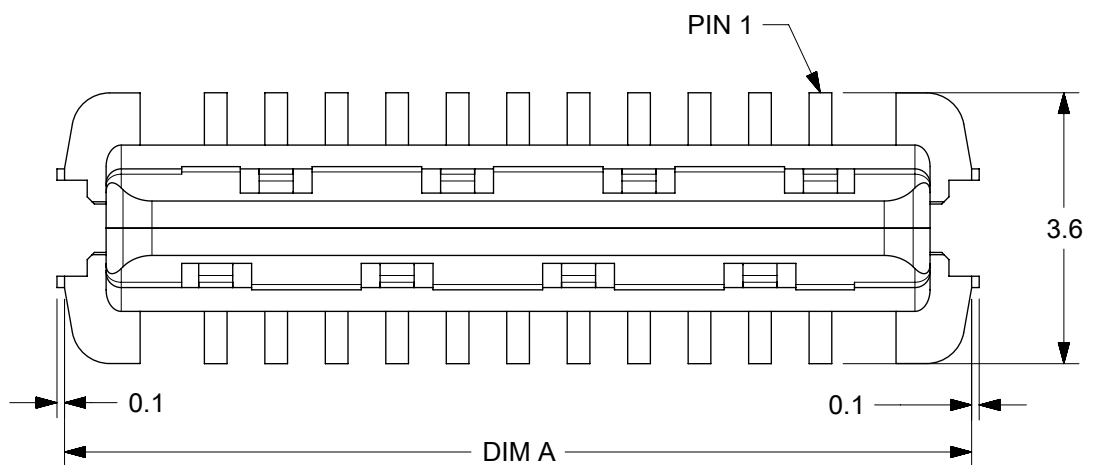


0.10 MAX
SOLDER TAIL
COPLANARITY



PARTS SHOWN WITH
PICK & PLACE
COVER



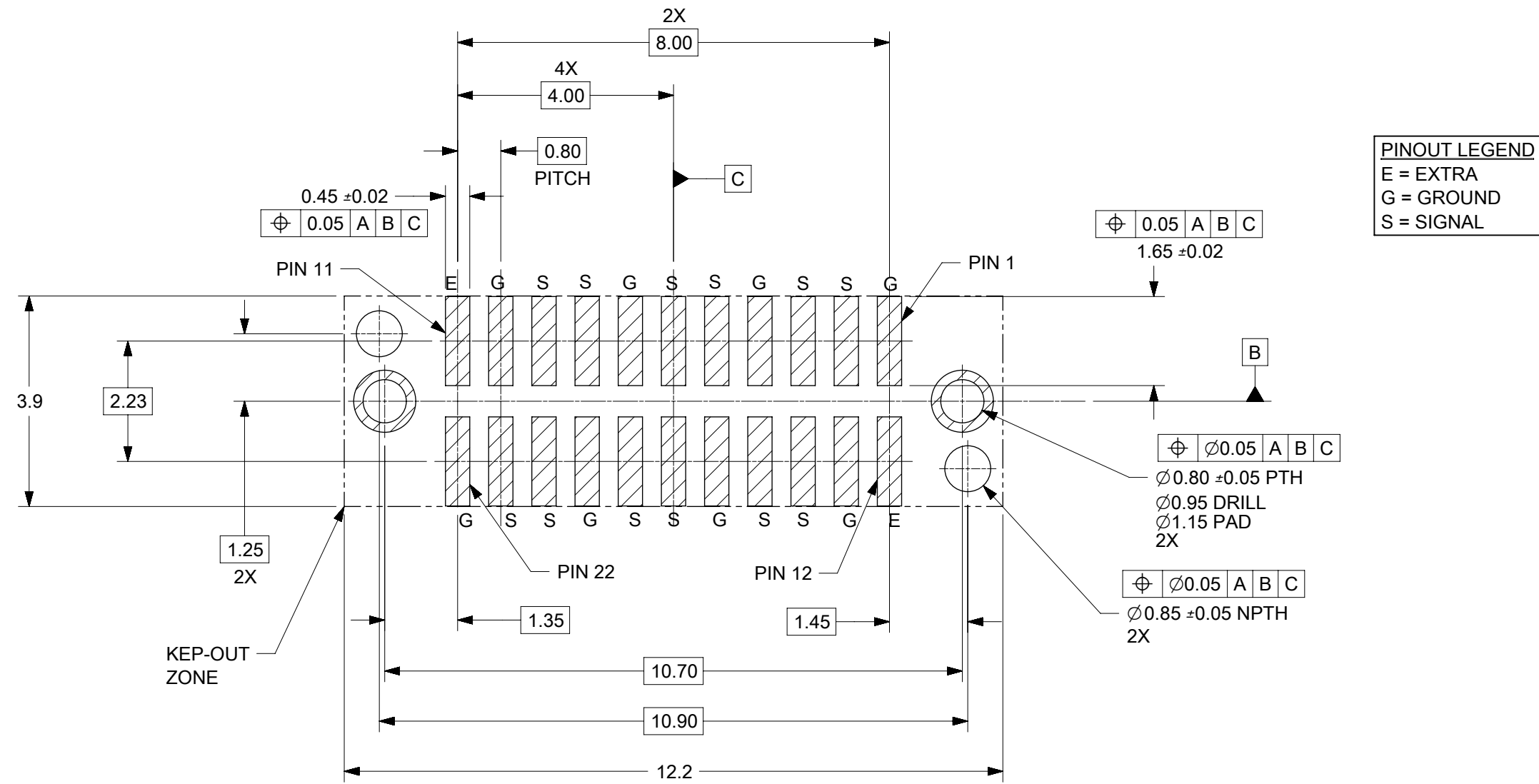
PART NUMBER	CKT SIZE	DIFF PAIRS	SPARE CKTS	DIM A	DIM B	DIM C	DIM D	DIM J
171446-1101	22	6	2	12.0	10.90	10.70	0.90	2.6
171446-1102							1.90	
171446-1103							2.90	
171446-1104							3.90	
171446-1105	60	16	8	27.2	26.10	25.90	0.90	3.6
171446-1106							1.90	
171446-1107							2.90	
171446-1108							3.90	
171446-1109	60	16	8	27.2	26.10	25.90	0.90	2.6
171446-1110							1.90	
171446-1111							2.90	
171446-1112							3.90	
171446-1113	60	16	8	27.2	26.10	25.90	0.90	3.6
171446-1114							1.90	
171446-1115							2.90	
171446-1116							3.90	

NOTES:

- MATERIALS: HOUSING: LCP, UL94V-0, BLACK
CONTACTS: HIGH PERFORMANCE COPPER ALLOY
- FINISH: 0.76 µm MIN SELECT GOLD IN CONTACT AREA
SELECT MATTE TIN IN TAIL AREA, OVERALL NICKEL
- PRODUCT SPECIFICATION: PS-171446-0001
- PACKAGING SPECIFICATION: TAPE AND REEL
PER PK-70873-6003
- MATES WITH SPEEDSTACK RECEPTACLE: 171450
- APPLICATION SPECIFICATION: AS-171450-9999
- COSMETIC SPECIFICATION: PS-45499-002 CLASS B
- PART STATUS: CONTACT MOLEX
- DIM D ON THIS DRAWING PLUS DIM D ON DRAWING
SD-171450-5000 EQUALS THE SYSTEM MATED STACK HEIGHT
- PARTS TO BE SHIPPED WITH PICK & PLACE COVERS.

THIS DRAWING CONTAINS INFORMATION THAT IS PROPRIETARY TO MOLEX ELECTRONIC TECHNOLOGIES, LLC AND SHOULD NOT BE USED WITHOUT WRITTEN PERMISSION									
QUALITY SYMBOLS	EC NO: 122646 DRWN: MAZAM CHK'D: JBINGHAM APPR: KLANG MIGRATED TO NX 2017/09/25 2017/09/28 2017/10/03	GENERAL TOLERANCES (UNLESS SPECIFIED)		DIMENSION UNITS	SCALE	 SPEEDSTACK PLUG ASSEMBLY SALES DRAWING PRODUCT CUSTOMER DRAWING SERIES: 171446 MATERIAL NUMBER: SEE CHART CUSTOMER: GENERAL MARKET			
		ANGULAR TOL ± 0.5 °		mm	10:1				
▽ = 0	4 PLACES ±	DRWN BY	DATE						
▽ = 0	3 PLACES ±	CHK'D BY	DATE						
▽ = 0	2 PLACES ± 0.13	APPR BY	DATE						
▽ = 0	1 PLACE ± 0.25	KLANG	2016/12/20						
▽ = 0	0 PLACES ±	DRAWING SIZE	THIRD ANGLE PROJECTION						
▽ = 0	DRAFT WHERE APPLICABLE MUST REMAIN WITHIN DIMENSIONS	B							
▽ = 0		DOCUMENT NUMBER	DOC TYPE	DOC PART	SHEET NUMBER				
	A4	SD-171446-1000	PSD	001	1 OF 3				

PCB LAYOUT - 22 CKT



PCB LAYOUT (COMPONENT SIDE)

SOLDER PASTE THICKNESS: 0.15 MIN

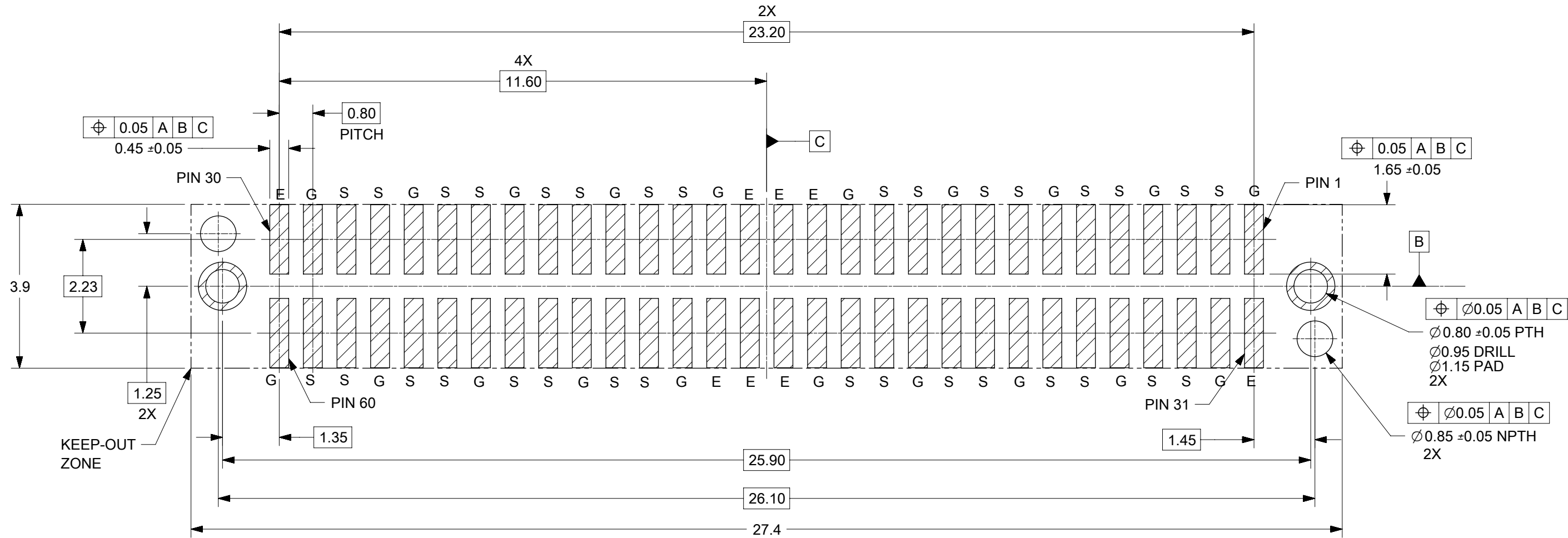
DATUM **A** IS THE BOTTOM SURFACE OF THE PCB

NOTE:
PIN NUMBERING IS FOR REFERENCE ONLY.
OTHER PIN NUMBERS WILL NOT AFFECT THE
OPERATION OF THE CONNECTOR.

THIS DRAWING CONTAINS INFORMATION THAT IS PROPRIETARY TO MOLEX ELECTRONIC TECHNOLOGIES, LLC AND SHOULD NOT BE USED WITHOUT WRITTEN PERMISSION											
QUALITY SYMBOLS	MIGRATED TO NX	EC NO: 122646	DRWN: MAZAM	CHKD: JBINGHAM	APPR: KLANG	GENERAL TOLERANCES (UNLESS SPECIFIED)		DIMENSION UNITS	SCALE		
						ANGULAR TOL ± 0.5 °		mm	10:1		
▽ = 0						4 PLACES ±		DRWN BY	DATE		
▽ = 0						3 PLACES ±		JBINGHAM	2016/12/05		
▽ = 0						2 PLACES ± 0.13		CHK'D BY	DATE		
▽ = 0						1 PLACE ± 0.25		KLANG	2016/12/05		
▽ = 0						0 PLACES ±		APPR BY	DATE		
▽ = 0								KLANG	2016/12/20		
▽ = 0								DRAWING SIZE	THIRD ANGLE PROJECTION		
▽ = 0								B			
								PRODUCT CUSTOMER DRAWING			
								SERIES	MATERIAL NUMBER	CUSTOMER	
								171446	SEE CHART	GENERAL MARKET	
								DOCUMENT NUMBER	DOC TYPE	DOC PART	SHEET NUMBER
								SD-171446-1000	PSD	001	2 OF 3

PCB LAYOUT - 60 CKT

PINOUT LEGEND
 E = EXTRA
 G = GROUND
 S = SIGNAL



PCB LAYOUT (COMPONENT SIDE)

SOLDER PASTE THICKNESS: 0.15 MIN
 DATUM **A** IS THE BOTTOM SURFACE OF THE PCB

NOTE:
 PIN NUMBERING IS FOR REFERENCE ONLY.
 OTHER PIN NUMBERS WILL NOT AFFECT THE
 OPERATION OF THE CONNECTOR.

THIS DRAWING CONTAINS INFORMATION THAT IS PROPRIETARY TO MOLEX ELECTRONIC TECHNOLOGIES, LLC AND SHOULD NOT BE USED WITHOUT WRITTEN PERMISSION											
QUALITY SYMBOLS	EC NO: 122646 DRWN: MAZAM CHKD: JBINGHAM APPR: KLANG MIGRATED TO NX	GENERAL TOLERANCES (UNLESS SPECIFIED)		DIMENSION UNITS	SCALE						
		ANGULAR TOL ± 0.5 °		mm	10:1						
▽ = 0	EC NO: 122646 DRWN: MAZAM CHKD: JBINGHAM APPR: KLANG MIGRATED TO NX	4 PLACES ±	DRWN BY	DATE		SPEEDSTACK PLUG ASSEMBLY SALES DRAWING					
▽ = 0		3 PLACES ±	JBINGHAM	2016/12/05							
▽ = 0		2 PLACES ± 0.13	CHK'D BY	DATE							
▽ = 0		1 PLACE ± 0.25	KLANG	2016/12/05		PRODUCT CUSTOMER DRAWING					
▽ = 0		0 PLACES ±	KLANG	2016/12/20							
▽ = 0		DRAFT WHERE APPLICABLE MUST REMAIN WITHIN DIMENSIONS		DRAWING SIZE	THIRD ANGLE PROJECTION		SERIES	MATERIAL NUMBER	CUSTOMER		
▽ = 0			B			171446	SEE CHART	GENERAL MARKET			
						DOCUMENT NUMBER	DOC TYPE	DOC PART	SHEET NUMBER		
						SD-171446-1000	PSD	001	3 OF 3		