

# QPD QSK BK 5X6,0 FS - Protective cap



1411400

<https://www.phoenixcontact.com/us/products/1411400>

Please be informed that the data shown in this PDF document is generated from our online catalog. Please find the complete data in the user documentation. Our general terms of use for downloads are valid.

Protective cap, plastic, for QUICKON connection, black, with retaining cord, IP68



## Commercial data

Item number	1411400
Packing unit	1 pc
Minimum order quantity	1 pc
Sales key	BF50
Product key	BF6ZWX
Catalog page	Page 494 (C-2-2019)
GTIN	4046356932035
Weight per piece (including packing)	25.1 g
Weight per piece (excluding packing)	22.761 g
Customs tariff number	39269097
Country of origin	PL

# QPD QSK BK 5X6,0 FS - Protective cap

1411400

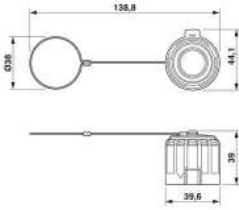
<https://www.phoenixcontact.com/us/products/1411400>

## Technical data

### Product properties

Type	QPD
Product type	Protective cap
Product family	QPD
Seal present	yes
Series	QPD

### Dimensions

Dimensional drawing	
Width	39.6 mm
Height	39 mm
Length	39.6 mm
Diameter	38 mm (Retaining cord eyelet)

### Material specifications

Material	PBT
Flammability rating according to UL 94	V0

### Environmental and real-life conditions

#### Ambient conditions

Degree of protection	IP66
	IP68 (2 m / 24 h)
	IP69K
Ambient temperature (operation)	-40 °C ... 100 °C
Ambient temperature (storage/transport)	-40 °C ... 100 °C

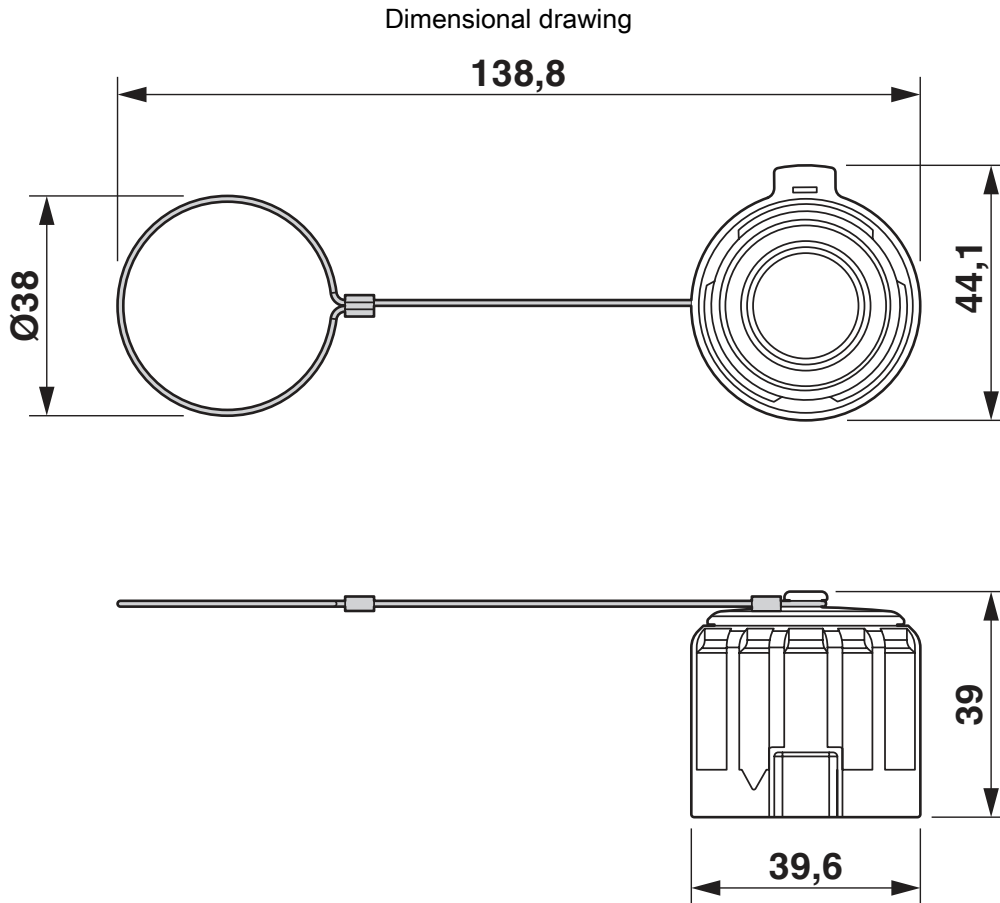
# QPD QSK BK 5X6,0 FS - Protective cap



1411400

<https://www.phoenixcontact.com/us/products/1411400>

## Drawings



# QPD QSK BK 5X6,0 FS - Protective cap



1411400

<https://www.phoenixcontact.com/us/products/1411400>

## Approvals

To download certificates, visit the product detail page: <https://www.phoenixcontact.com/us/products/1411400>



**DNV GL**

Approval ID: TAE00003J5

# QPD QSK BK 5X6,0 FS - Protective cap



1411400

<https://www.phoenixcontact.com/us/products/1411400>

## Classifications

### ECLASS

ECLASS-11.0	27440208
ECLASS-12.0	27440208
ECLASS-13.0	27440208

### ETIM

ETIM 8.0	EC002314
----------	----------

### UNSPSC

UNSPSC 21.0	39121400
-------------	----------

# QPD QSK BK 5X6,0 FS - Protective cap



1411400

<https://www.phoenixcontact.com/us/products/1411400>

## Environmental product compliance

China RoHS	Environmentally friendly use period: unlimited = EFUP-e
	No hazardous substances above threshold values

Phoenix Contact 2023 © - all rights reserved  
<https://www.phoenixcontact.com>

Phoenix Contact USA  
586 Fulling Mill Road  
Middletown, PA 17057, United States  
(+717) 944-1300  
[info@phoenixcon.com](mailto:info@phoenixcon.com)