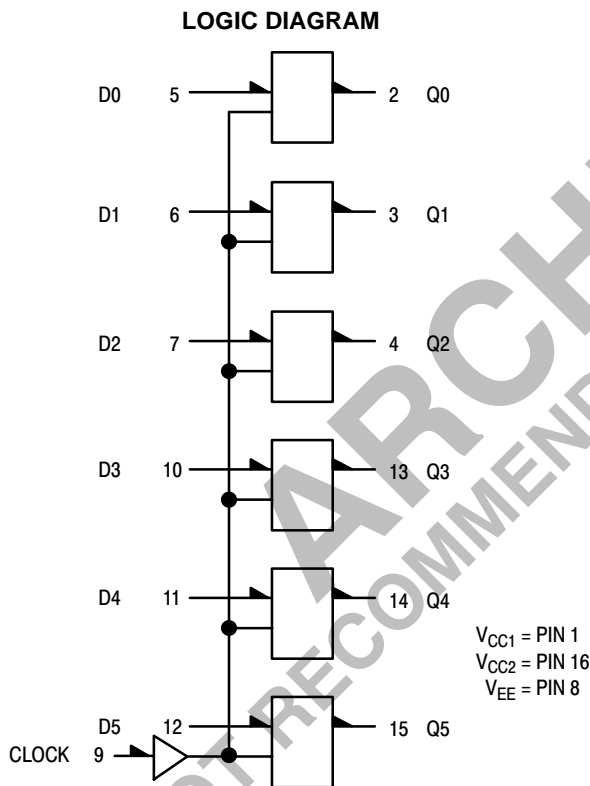


MC10176

Hex D Master/Slave Flip-Flop

The MC10176 contains six high-speed, master slave type “D” flip-flops. Clocking is common to all six flip-flops. Data is entered into the master when the clock is low. Master to slave data transfer takes place on the positive-going Clock transition. Thus, outputs may change only on a positive-going Clock transition. A change in the information present at the data (D) input will not affect the output information any other time due to the master-slave construction of this device.

- $P_D = 460 \text{ mW typ/pkg (No Load)}$
- $f_{\text{toggle}} = 150 \text{ MHz (typ)}$
- $t_r, t_f = 2.0 \text{ ns typ (20\%–80\%)}$



CLOCKED TRUTH TABLE

C	D	Q_{n+1}
L	X	Q_n
H*	L	L
H*	H	H

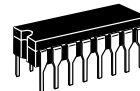
*A clock H is a clock transition from a low to a high state.



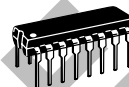
ON Semiconductor

<http://onsemi.com>

MARKING DIAGRAMS



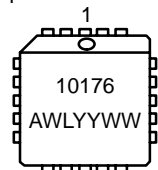
**CDIP-16
L SUFFIX
CASE 620**



**PDIP-16
P SUFFIX
CASE 648**

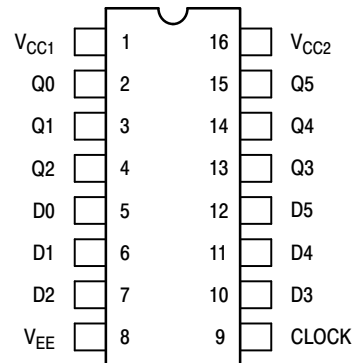


**PLCC-20
FN SUFFIX
CASE 775**



A = Assembly Location
 WL = Wafer Lot
 YY = Year
 WW = Work Week

DIP PIN ASSIGNMENT



Pin assignment is for Dual-in-Line Package.
 For PLCC pin assignment, see the Pin Conversion Tables on page 18 of the ON Semiconductor MECL Data Book (DL122/D).

ORDERING INFORMATION

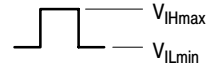
Device	Package	Shipping
MC10176L	CDIP-16	25 Units / Rail
MC10176P	PDIP-16	25 Units / Rail
MC10176FN	PLCC-20	46 Units / Rail

MC10176

ELECTRICAL CHARACTERISTICS

Characteristic	Symbol	Pin Under Test	Test Limits						Unit		
			-30°C		+25°C		+85°C				
			Min	Max	Min	Typ	Max	Min		Max	
Power Supply Drain Current	I_E	8		121		88	110		121	mAdc	
Input Current	I_{inH}	5		350			220		220	μ Adc	
		9		495			310		310		
	I_{inL}	5	0.5		0.5			0.3		μ Adc	
		9	0.5		0.5			0.3			
Output Voltage	Logic 1	V_{OH}	2 [†]	-1.060	-0.890	-0.960		-0.810	-0.890	-0.700	Vdc
			15 [†]	-1.060	-0.890	-0.960		-0.810	-0.890	-0.700	
Output Voltage	Logic 0	V_{OL}	2 [†]	-1.890	-1.675	-1.850		-1.650	-1.825	-1.615	Vdc
			15 [†]	-1.890	-1.675	-1.850		-1.650	-1.825	-1.615	
Threshold Voltage	Logic 1	V_{OHA}	2 [†]	-1.080		-0.980			-0.910		Vdc
			15 [†]	-1.080		-0.980			-0.910		
Threshold Voltage	Logic 0	V_{OLA}	2 [†]		-1.655			-1.630		-1.595	Vdc
			15 [†]		-1.655			-1.630		-1.595	
Switching Times (50Ω Load)										ns	
Clock Input											
Propagation Delay	t_{g+2+}	2	1.6	4.6	1.6		4.5	1.6	5.0		
		2	1.6	4.6	1.6		4.5	1.6	5.0		
Rise Time (20 to 80%)	t_{2+}	2	1.0	4.1	1.1		4.0	1.1	4.4		
Fall Time (20 to 80%)	t_{2-}	2	1.0	4.1	1.1		4.0	1.1	4.4		
Setup Time	t_{setup}	2	2.5		2.5			2.5		ns	
Hold Time	t_{hold}	2	1.5		1.5			1.5		ns	
Toggle Frequency (Max)	f_{tog}	2	125		125	150		125		MHz	

[†] Output level to be measured after a clock pulse has been applied to the C Input (Pin 9)

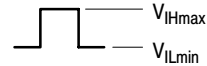


MC10176

ELECTRICAL CHARACTERISTICS (continued)

			TEST VOLTAGE VALUES (Volts)						
			V _{IHmax}	V _{ILmin}	V _{IHAmin}	V _{ILAmax}	V _{EE}		
@ Test Temperature									
			-30°C	-0.890	-1.890	-1.205	-1.500	-5.2	
			+25°C	-0.810	-1.850	-1.105	-1.475	-5.2	
			+85°C	-0.700	-1.825	-1.035	-1.440	-5.2	
Characteristic	Symbol	Pin Under Test	TEST VOLTAGE APPLIED TO PINS LISTED BELOW					(V _{CC}) Gnd	
			V _{IHmax}	V _{ILmin}	V _{IHAmin}	V _{ILAmax}	V _{EE}		
Power Supply Drain Current	I _E	8					8	1, 16	
Input Current	I _{inH}	5	5				8	1, 16	
		9	9				8	1, 16	
	I _{inL}	5		5			8	1, 16	
		9		9			8	1, 16	
Output Voltage Logic 1	V _{OH}	2 [†]	5				8	1, 16	
		15 [†]					12	8	1, 16
Output Voltage Logic 0	V _{OL}	2 [†]		5			8	1, 16	
		15 [†]					12	8	1, 16
Threshold Voltage Logic 1	V _{OHA}	2 [†]			5		8	1, 16	
		15 [†]					12	8	1, 16
Threshold Voltage Logic 0	V _{OLA}	2 [†]			5		8	1, 16	
		15 [†]					12	8	1, 16
Switching Times (50Ω Load)			+1.11Vdc	+0.31V	Pulse In	Pulse Out	-3.2 V	+2.0 V	
Clock Input Propagation Delay	t _{g+2+} t _{g+2-}	2			5, 9	2	8	1, 16	
		2			5, 9	2	8	1, 16	
Rise Time (20 to 80%)	t ₂₊	2			5, 9	2	8	1, 16	
Fall Time (20 to 80%)	t ₂₋	2			5, 9	2	8	1, 16	
Setup Time	t _{setup}	2			5, 9	2	8	1, 16	
Hold Time	t _{hold}	2			5, 9	2	8	1, 16	
Toggle Frequency (Max)	f _{tog}	2					8	1, 16	

† Output level to be measured after a clock pulse has been applied to the C Input (Pin 9)

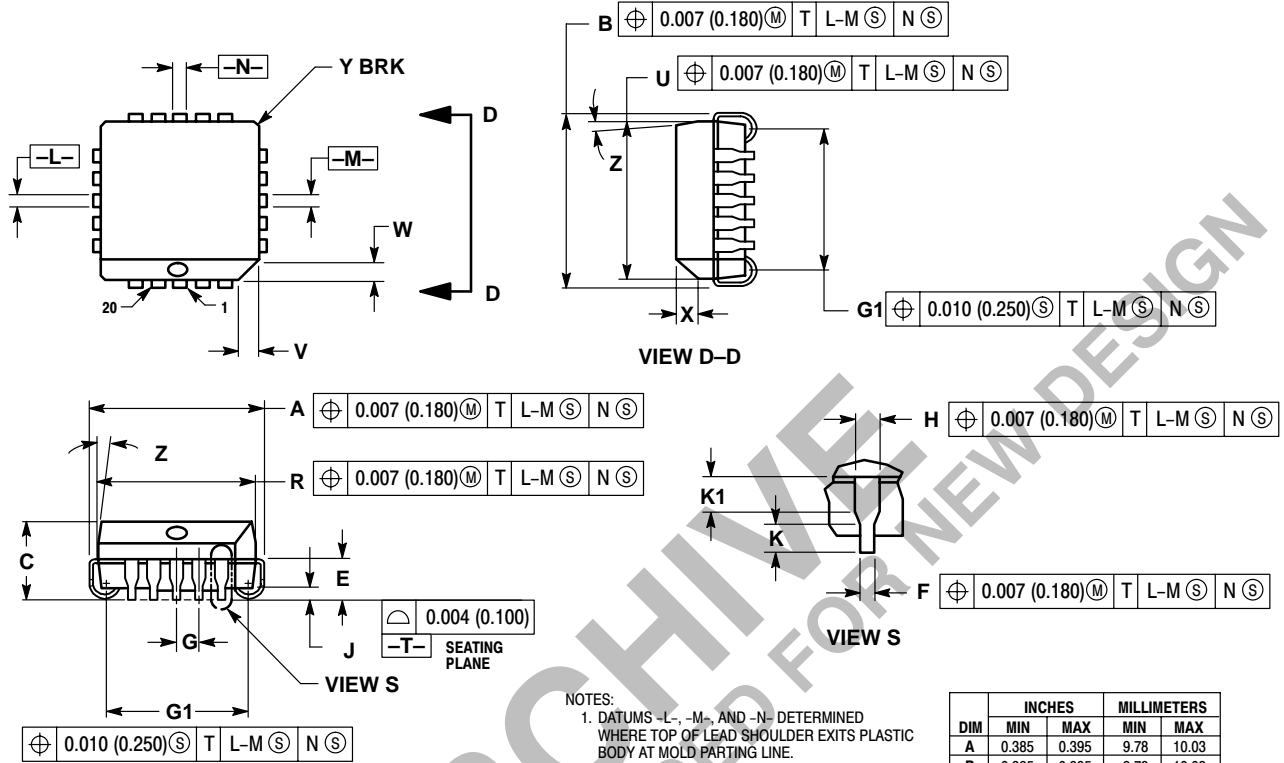


Each MECL 10,000 series circuit has been designed to meet the dc specifications shown in the test table, after thermal equilibrium has been established. The circuit is in a test socket or mounted on a printed circuit board and transverse air flow greater than 500 linear fpm is maintained. Outputs are terminated through a 50-ohm resistor to -2.0 volts. Test procedures are shown for only one gate. The other gates are tested in the same manner.

MC10176

PACKAGE DIMENSIONS

PLCC-20
FN SUFFIX
PLASTIC PLCC PACKAGE
CASE 775-02
ISSUE C



NOTES:

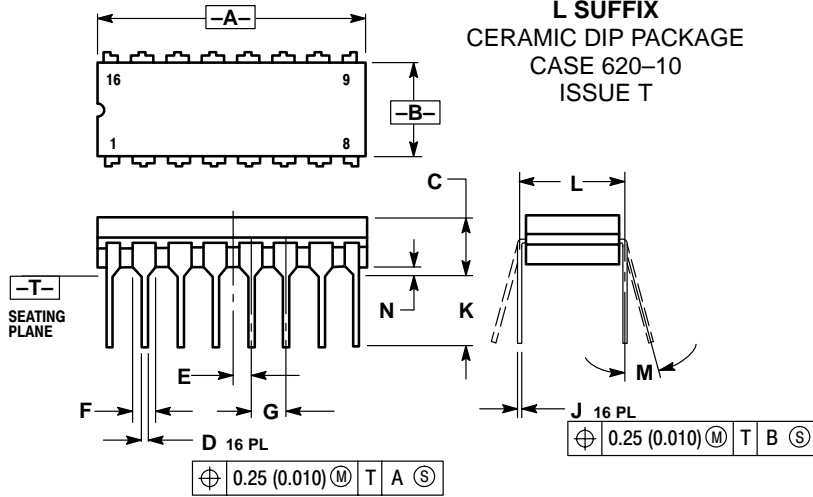
- DATUMS -L-, -M-, AND -N- DETERMINED WHERE TOP OF LEAD SHOULDER EXITS PLASTIC BODY AT MOLD PARTING LINE.
- DIMENSION G1, TRUE POSITION TO BE MEASURED AT DATUM -T-, SEATING PLANE.
- DIMENSIONS R AND U DO NOT INCLUDE MOLD FLASH. ALLOWABLE MOLD FLASH IS 0.010 (0.250) PER SIDE.
- DIMENSIONING AND TOLERANCING PER ANSI Y14.5M, 1982.
- CONTROLLING DIMENSION: INCH.
- THE PACKAGE TOP MAY BE SMALLER THAN THE PACKAGE BOTTOM BY UP TO 0.012 (0.300). DIMENSIONS R AND U ARE DETERMINED AT THE OUTERMOST EXTREMES OF THE PLASTIC BODY EXCLUSIVE OF MOLD FLASH, TIE BAR BURRS, GATE BURRS AND INTERLEAD FLASH, BUT INCLUDING ANY MISMATCH BETWEEN THE TOP AND BOTTOM OF THE PLASTIC BODY.
- DIMENSION H DOES NOT INCLUDE DAMBAR PROTRUSION OR INTRUSION. THE DAMBAR PROTRUSION(S) SHALL NOT CAUSE THE H DIMENSION TO BE GREATER THAN 0.037 (0.940). THE DAMBAR INTRUSION(S) SHALL NOT CAUSE THE H DIMENSION TO BE SMALLER THAN 0.025 (0.635).

DIM	INCHES		MILLIMETERS	
	MIN	MAX	MIN	MAX
A	0.385	0.395	9.78	10.03
B	0.385	0.395	9.78	10.03
C	0.165	0.180	4.20	4.57
E	0.090	0.110	2.29	2.79
F	0.013	0.019	0.33	0.48
G	0.050 BSC		1.27 BSC	
H	0.026	0.032	0.66	0.81
J	0.020	---	0.51	---
K	0.025	---	0.64	---
R	0.350	0.356	8.89	9.04
U	0.350	0.356	8.89	9.04
V	0.042	0.048	1.07	1.21
W	0.042	0.048	1.07	1.21
X	0.042	0.056	1.07	1.42
Y	---	0.020	---	0.50
Z	2°	10°	2°	10°
G1	0.310	0.330	7.88	8.38
K1	0.040	---	1.02	---

MC10176

PACKAGE DIMENSIONS

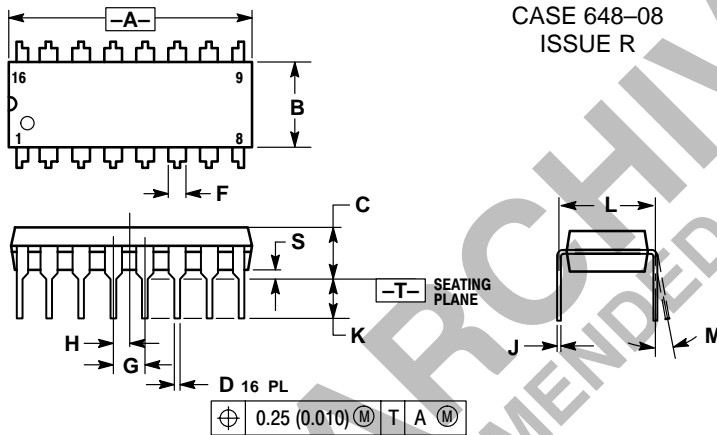
CDIP-16 L SUFFIX CERAMIC DIP PACKAGE CASE 620-10 ISSUE T



- NOTES:
1. DIMENSIONING AND TOLERANCING PER ANSI Y14.5M, 1982.
 2. CONTROLLING DIMENSION: INCH.
 3. DIMENSION L TO CENTER OF LEAD WHEN FORMED PARALLEL.
 4. DIMENSION F MAY NARROW TO 0.76 (0.030) WHERE THE LEAD ENTERS THE CERAMIC BODY.

DIM	INCHES		MILLIMETERS	
	MIN	MAX	MIN	MAX
A	0.750	0.785	19.05	19.93
B	0.240	0.295	6.10	7.49
C	---	0.200	---	5.08
D	0.015	0.020	0.39	0.50
E	0.050 BSC		1.27 BSC	
F	0.055	0.065	1.40	1.65
G	0.100 BSC		2.54 BSC	
H	0.008	0.015	0.21	0.38
K	0.125	0.170	3.18	4.31
L	0.300 BSC		7.62 BSC	
M	0°	15°	0°	15°
N	0.020	0.040	0.51	1.01

PDIP-16 P SUFFIX PLASTIC DIP PACKAGE CASE 648-08 ISSUE R



- NOTES:
1. DIMENSIONING AND TOLERANCING PER ANSI Y14.5M, 1982.
 2. CONTROLLING DIMENSION: INCH.
 3. DIMENSION L TO CENTER OF LEADS WHEN FORMED PARALLEL.
 4. DIMENSION B DOES NOT INCLUDE MOLD FLASH.
 5. ROUNDED CORNERS OPTIONAL.

DIM	INCHES		MILLIMETERS	
	MIN	MAX	MIN	MAX
A	0.740	0.770	18.80	19.55
B	0.250	0.270	6.35	6.85
C	0.145	0.175	3.69	4.44
D	0.015	0.021	0.39	0.53
F	0.040	0.70	1.02	1.77
G	0.100 BSC		2.54 BSC	
H	0.050 BSC		1.27 BSC	
J	0.008	0.015	0.21	0.38
K	0.110	0.130	2.80	3.30
L	0.295	0.305	7.50	7.74
M	0°	10°	0°	10°
S	0.020	0.040	0.51	1.01

ARCHIVE FOR FUTURE DESIGN

DEVICE NOT RECOMMENDED


Notes

ARCHIVE
DEVICE NOT RECOMMENDED FOR NEW DESIGN

Notes

ARCHIVE
DEVICE NOT RECOMMENDED FOR NEW DESIGN

ARCHIVE
RECOMMENDED FOR NEW DESIGN

ON Semiconductor and  are trademarks of Semiconductor Components Industries, LLC (SCILLC). SCILLC reserves the right to make changes without further notice to any products herein. SCILLC makes no warranty, representation or guarantee regarding the suitability of its products for any particular purpose, nor does SCILLC assume any liability arising out of the application or use of any product or circuit, and specifically disclaims any and all liability, including without limitation special, consequential or incidental damages. "Typical" parameters which may be provided in SCILLC data sheets and/or specifications can and do vary in different applications and actual performance may vary over time. All operating parameters, including "Typicals" must be validated for each customer application by customer's technical experts. SCILLC does not convey any license under its patent rights nor the rights of others. SCILLC products are not designed, intended, or authorized for use as components in systems intended for surgical implant into the body, or other applications intended to support or sustain life, or for any other application in which the failure of the SCILLC product could create a situation where personal injury or death may occur. Should Buyer purchase or use SCILLC products for any such unintended or unauthorized application, Buyer shall indemnify and hold SCILLC and its officers, employees, subsidiaries, affiliates, and distributors harmless against all claims, costs, damages, and expenses, and reasonable attorney fees arising out of, directly or indirectly, any claim of personal injury or death associated with such unintended or unauthorized use, even if such claim alleges that SCILLC was negligent regarding the design or manufacture of the part. SCILLC is an Equal Opportunity/Affirmative Action Employer.

PUBLICATION ORDERING INFORMATION

Literature Fulfillment:

Literature Distribution Center for ON Semiconductor
P.O. Box 5163, Denver, Colorado 80217 USA
Phone: 303-675-2175 or 800-344-3860 Toll Free USA/Canada
Fax: 303-675-2176 or 800-344-3867 Toll Free USA/Canada
Email: ONlit@hibbertco.com

N. American Technical Support: 800-282-9855 Toll Free USA/Canada

JAPAN: ON Semiconductor, Japan Customer Focus Center
4-32-1 Nishi-Gotanda, Shinagawa-ku, Tokyo, Japan 141-0031
Phone: 81-3-5740-2700
Email: r14525@onsemi.com

ON Semiconductor Website: <http://onsemi.com>

For additional information, please contact your local Sales Representative.