

NOTES:

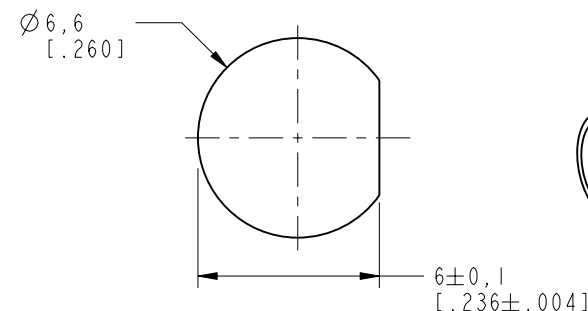
1. MATERIALS AND FINISHES:
 BODIES, LOCK WASHER &
 NUT - BRASS, NICKEL PLATING
 CONTACT - BeCu, GOLD PLATING
 INSULATORS - PTFE, NATURAL
2. ELECTRICAL:
 A. IMPEDANCE: 75 OHM
 B. FREQUENCY RANGE: DC-18 GHz
 C. RETURN LOSS: -20 dB MAX @ DC-6 GHz
 -15 dB MAX @ 6-12 GHz

3. MECHANICAL:
 A. DURABILITY: 500 CYCLES MIN.
 B. TEMPERATURE RANGE: -65°C TO +165°C
 C. RECOMMENDED TORQUE: 10 IN-LBS

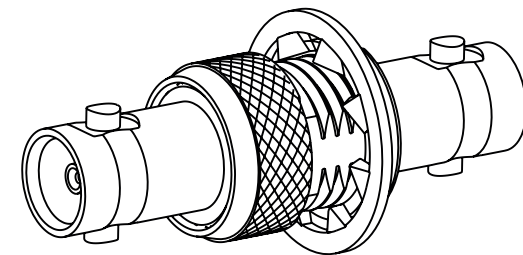
4. PACKAGING:
 A. QUANTITY: SINGLE PACK
 B. MARKING: BAG TO BE MARKED
 "AMPHENOL RF, 34-1109-12G, DATE CODE
 U.S. PATENT NO. 7,553,177"

THIRD ANGLE PROJ.

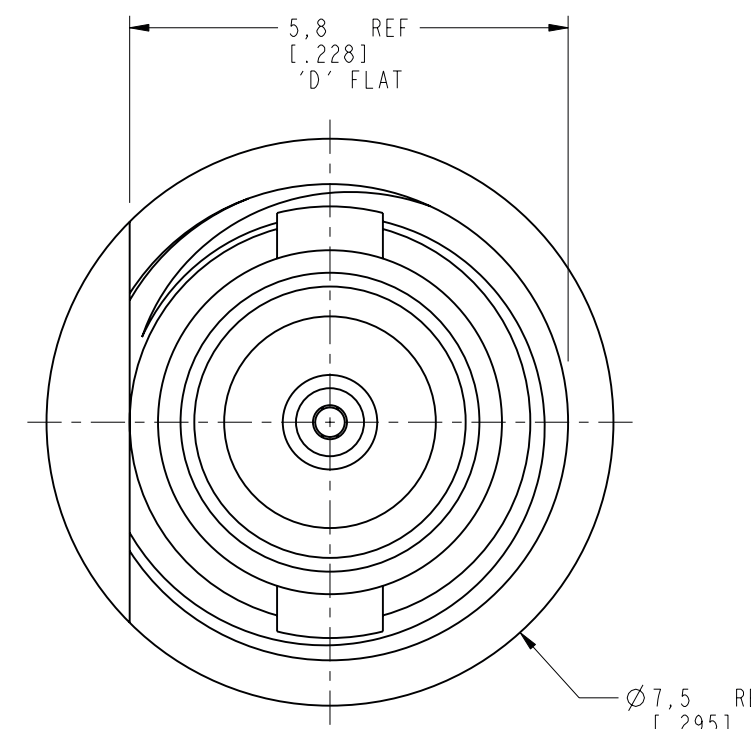
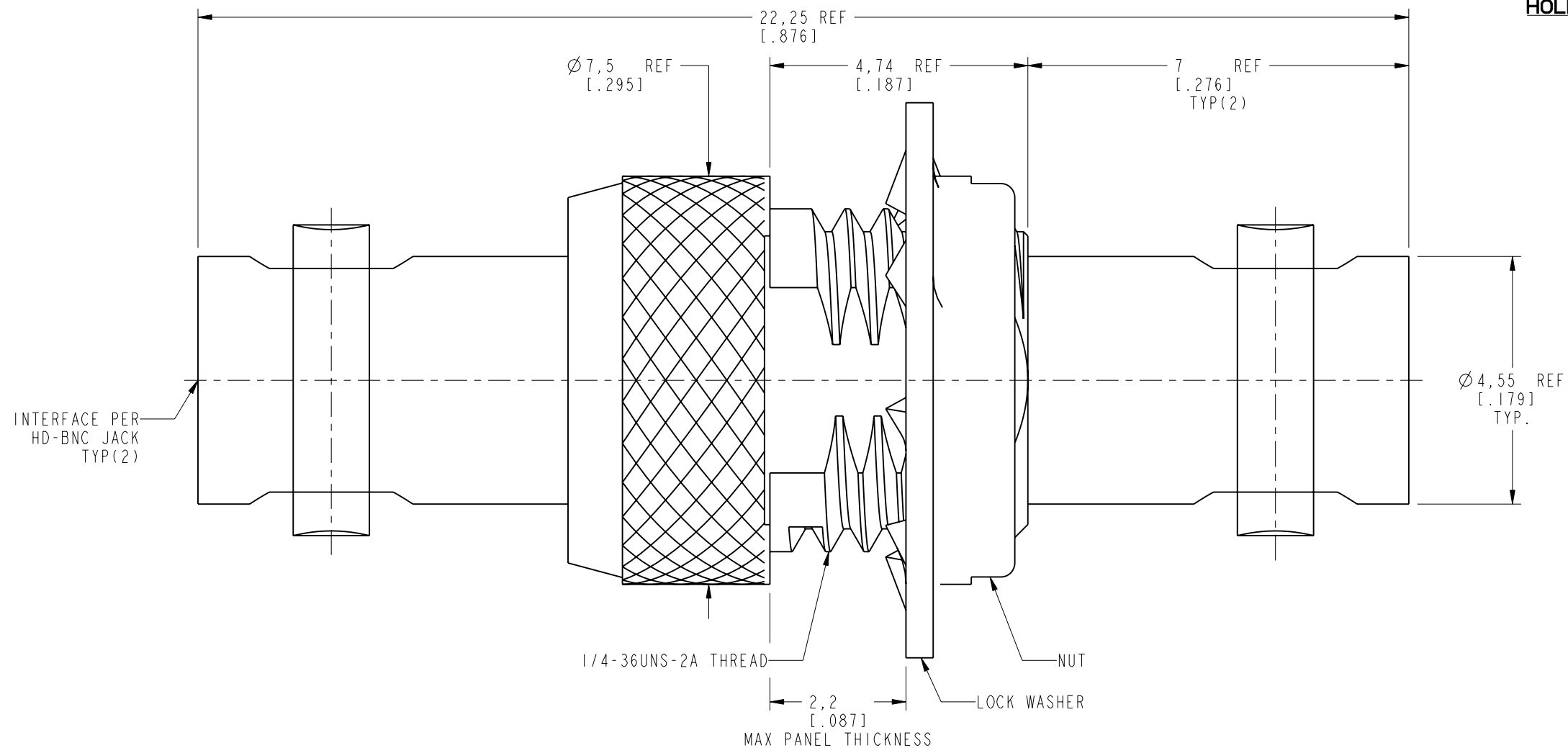
REV		DESCRIPTION	DATE	ECN	APPR
A		RELEASE TO MFG.	16-Aug-18	08866	BMG



RECOMMENDED MOUNTING HOLE DIMENSIONS



SCALE 3.200



NUT & LOCK WASHER NOT SHOWN

PROTECTED UNDER U.S. PATENT # 7,553,177

CUSTOMER OUTLINE DRAWING
 ALL OTHER SHEETS ARE FOR INTERNAL USE ONLY

UNLESS OTHERWISE SPECIFIED, DIMENSIONS ARE IN METRIC AND TOLERANCES ARE: <0.5mm ±0.05mm 0.5 - 6mm ±0.1mm 6 - 30mm ±0.2mm 30 - 120mm ±0.3mm ANGLES ±1°	MATERIAL	DRAWN	DATE	TITLE HD-BNC STR BHD JACK TO JACK ADAPTER		Amphenol RF www.amphenolrf.com		
	SEE NOTES	M. ZHANG	16-Aug-18					
NOTICE - These drawings, specifications, or other data (1) are, and remain the property of Amphenol corp. (2) must be returned upon request; and (3) are confidential and not to be disclosed to any person other than those to whom they are given by Amphenol Corp. the furnishing of these drawings, specifications, or other data by Amphenol Corp., or to any other person to anyone for any purpose is not to be regarded by implication or otherwise in any manner licensing, granting rights to permitting such holder or any other person to manufacture, use or sell any product, process or design, patented or otherwise, that may in any way be related to or disclosed by said drawings, specifications, or other data.	REFERENCE	ENGINEER	DATE	SCALE: 10.0:1.0 SHEET 2 OF 2		DRAWING NO. 34-1109-12G		
	EAR# 7824	ANANDH G	14-Sep-17					
	REF:	APPROVED	S. HSIEH	DATE	DWG SIZE B REV A		ITEM NO. 34-1109-12G	
	CONFIGURATION LEVEL: In Work	CAD FILE		17-Aug-18				
FINISH								