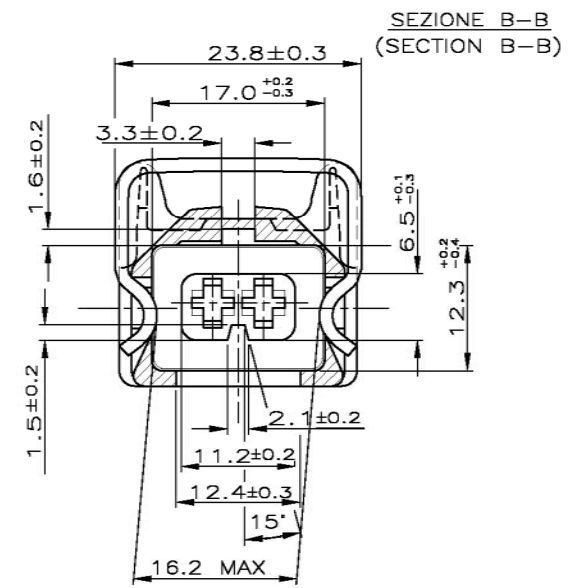
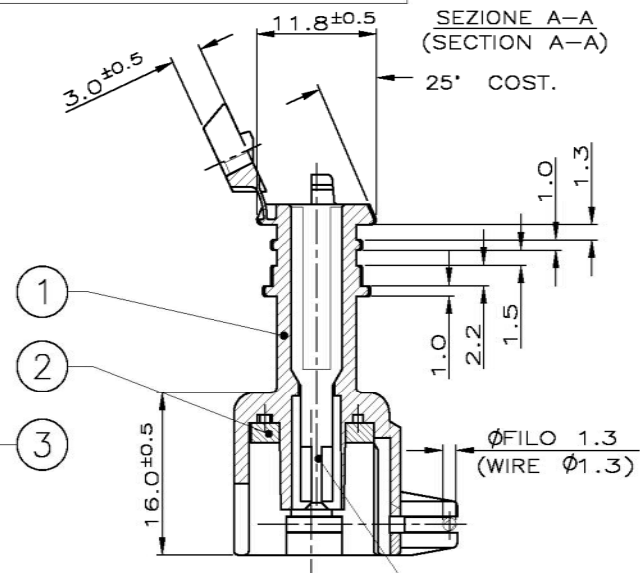
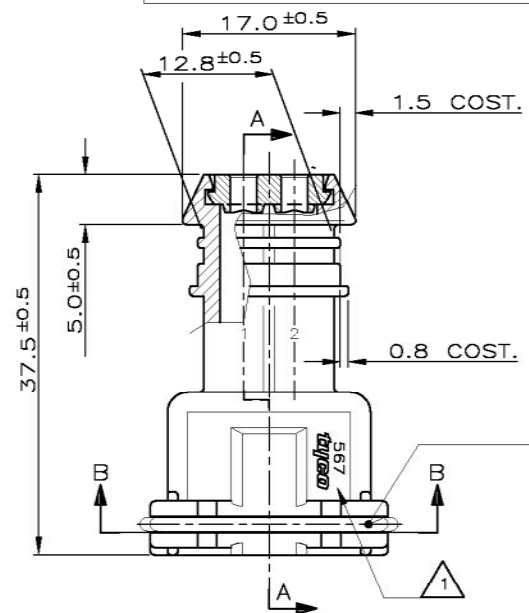


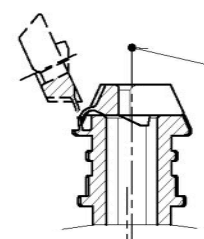
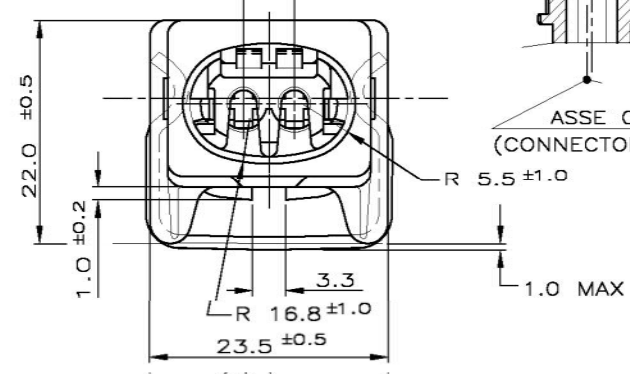
THIS DRAWING IS UNPUBLISHED. RELEASED FOR PUBLICATION
 © COPYRIGHT - By - ALL RIGHTS RESERVED.

LOC		DIST		REVISIONS				
P	LTR	DESCRIPTION			DATE	DWN	APVD	
M 1	ECO-15-014129				28-09-2015	M.P.	M.G.	

CONNETTORE TIPO A (CON MOLLA DI RITEGNO ESTERNA)
 CONNECTOR TYPE A (WITH EXTERNAL SPRING)



PASSO 5.0±0.15
 (PITCH 5.0±0.15)



ASSE CAVITA'
 (CAVITY CENTER LINE)

ASSE CONNETTORE
 (CONNECTOR CENTER LINE)

TIP. CAVITA' PER TERMINALI AMP JPT P/N 929939-...
 OPPURE 929937-... E RELATIVI GOMMINI
 AMP P/N 828904-1, 828905-1, 282536-1.
 TAPPO CAVITA' P/N 828906-2
 (TYP. CAV. FOR JPT CONT. P/N 929939-... A/O 929937-... AND REL.
 SINGLE WIRE SEAL P/N 828904-1, 828905-1, 282536-1
 CAVITY PLUG P/N 828906-2)

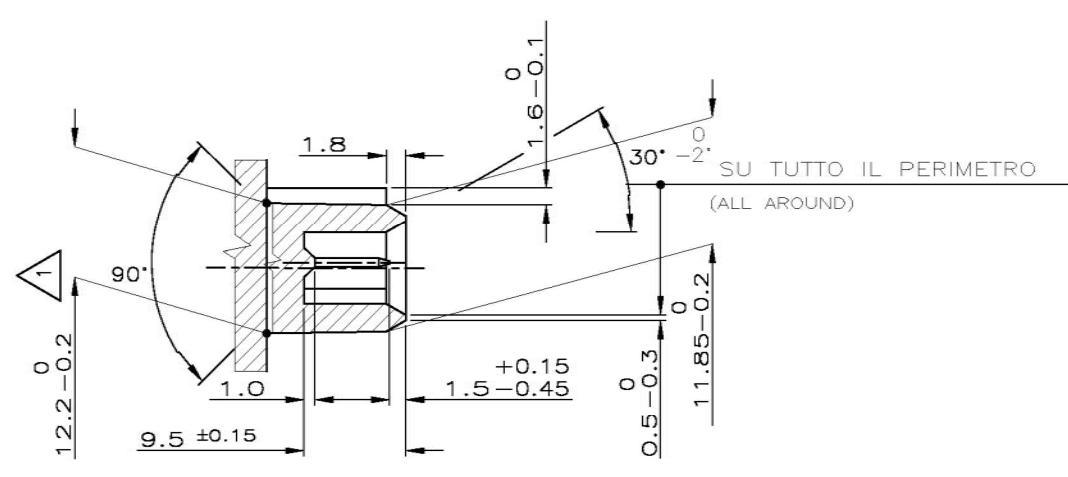
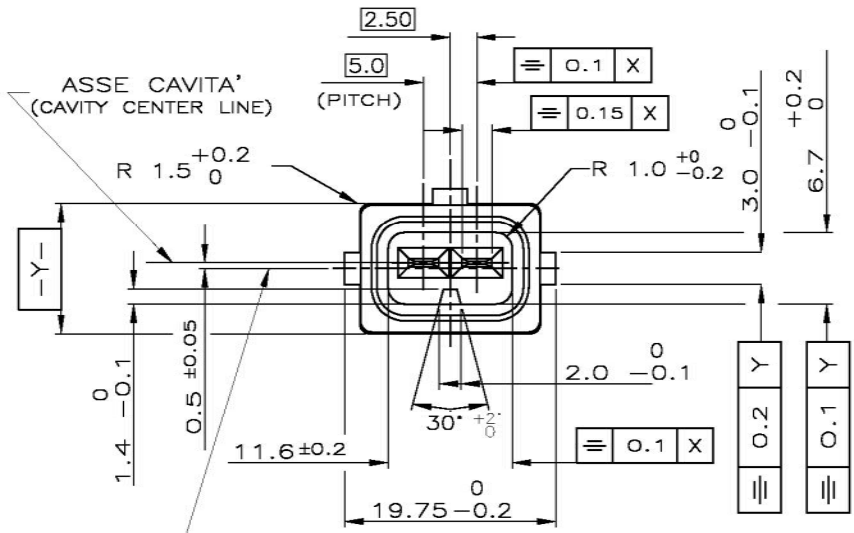
METRIC		DIAM. ISOLANTE (INS. DIA. RANGE) 1.5-3.0 (REDUCED INS. CABLE)	RANGO FILO (WIRE RANGE) 0.5-2.5 mm ²																								
<table border="1"> <tr><td>NERO (BLACK)</td><td>2-282189-1</td></tr> <tr><td>ROSSO (RED)</td><td>282189-8</td></tr> <tr><td>GIALLO (YELLOW)</td><td>282189-7</td></tr> <tr><td>MARRONE (BROWN)</td><td>282189-6</td></tr> <tr><td>BLU (BLUE)</td><td>282189-5</td></tr> <tr><td>VERDE (GREEN)</td><td>282189-4</td></tr> <tr><td>BIANCO (WHITE)</td><td>282189-3</td></tr> <tr><td>GRIGIO (GREY)</td><td>282189-2</td></tr> <tr><td>NERO (BLACK)</td><td>282189-1</td></tr> </table>		NERO (BLACK)	2-282189-1	ROSSO (RED)	282189-8	GIALLO (YELLOW)	282189-7	MARRONE (BROWN)	282189-6	BLU (BLUE)	282189-5	VERDE (GREEN)	282189-4	BIANCO (WHITE)	282189-3	GRIGIO (GREY)	282189-2	NERO (BLACK)	282189-1	CUSTOMER DWG. FOR REFERENCE ONLY	<table border="1"> <tr><td>ACCIAIO INOX (STAINLESS STEEL)</td><td>MOLLA (SPRING)</td></tr> <tr><td>GOMMA SILICONICA (SILICONE RUBBER)</td><td>GUARNIZIONE (RUBBER GASKET)</td></tr> <tr><td>PA 6.6</td><td>BLOCCETTO (HOUSING)</td></tr> </table>	ACCIAIO INOX (STAINLESS STEEL)	MOLLA (SPRING)	GOMMA SILICONICA (SILICONE RUBBER)	GUARNIZIONE (RUBBER GASKET)	PA 6.6	BLOCCETTO (HOUSING)
NERO (BLACK)	2-282189-1																										
ROSSO (RED)	282189-8																										
GIALLO (YELLOW)	282189-7																										
MARRONE (BROWN)	282189-6																										
BLU (BLUE)	282189-5																										
VERDE (GREEN)	282189-4																										
BIANCO (WHITE)	282189-3																										
GRIGIO (GREY)	282189-2																										
NERO (BLACK)	282189-1																										
ACCIAIO INOX (STAINLESS STEEL)	MOLLA (SPRING)																										
GOMMA SILICONICA (SILICONE RUBBER)	GUARNIZIONE (RUBBER GASKET)																										
PA 6.6	BLOCCETTO (HOUSING)																										
COLORE (COLOR)	NUMERO PART. N°	N (ITEM)	<table border="1"> <tr><td>FINITURA / COLORE (FINISH / COLOUR)</td><td>MATERIALE (MATERIAL)</td><td>DESCRIZIONE (DESCRIPTION)</td></tr> </table>	FINITURA / COLORE (FINISH / COLOUR)	MATERIALE (MATERIAL)	DESCRIZIONE (DESCRIPTION)																					
FINITURA / COLORE (FINISH / COLOUR)	MATERIALE (MATERIAL)	DESCRIZIONE (DESCRIPTION)																									

- 1 LOGO TYCO O, IN ALTERNATIVA, LOGO AMP (TYCO LOGO OR, IN ALTERNATIVE, AMP LOGO) (AMP)
- 2 DIFFERISCE DAL ...-1 ESCLUSIVAMENTE PER IL PACKAGING (DIFFERS FROM ...-1 ONLY FOR PACKAGING DETAILS)
- 3) PER DIMENSIONI CONTROPARTE VEDERE FOGLIO 2 (FOR COUNTERPART DIMENSIONS SEE SHEET 2)
- 4) SPECIFICA DI IMBALLO TE Nr. 107-20047 (TE PACKAGING SPECIFICATION No.107-20047)

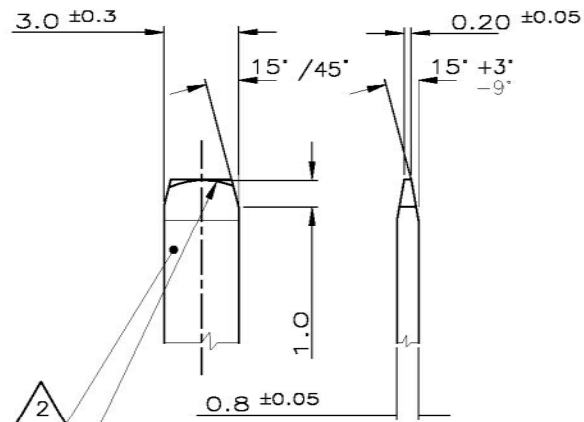
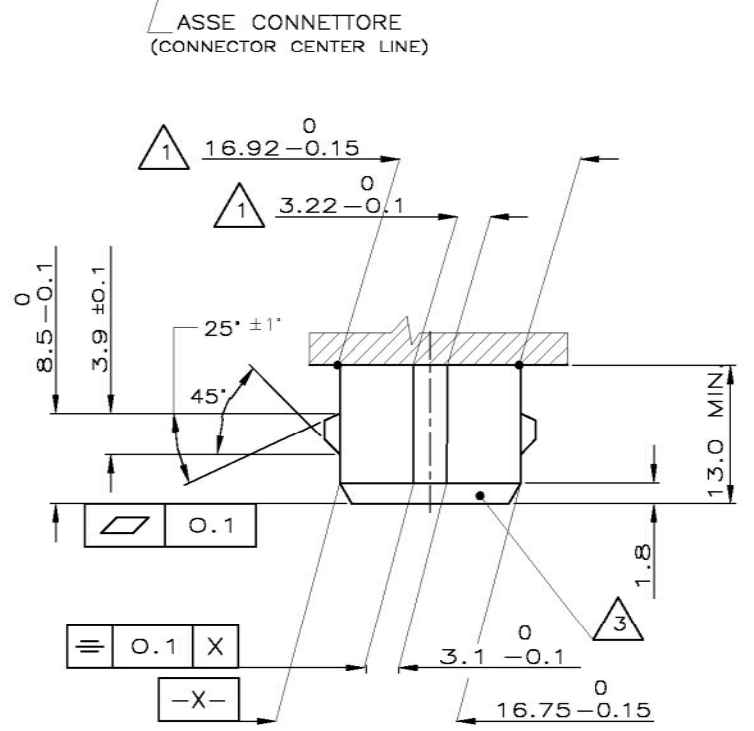
THIS DRAWING IS A CONTROLLED DOCUMENT.

DIMENSIONS: mm	TOLEPERANCES UNLESS OTHERWISE SPECIFIED: 0 PLC ± - 1 PLC ± 0.3 2 PLC ± - 3 PLC ± - 4 PLC ± - ANGLES ± 2'	DWN: Ennio CINI CHK: C.TARTARI APVD: - PRODUCT SPEC: - APPLICATION SPEC: - WEIGHT: -	NOV. 9'90 13 OCT 92	TE Connectivity	
MATERIAL: -	FINISH: -	NAME: 2 W.SPLASH PROOF CONN.ASS'Y with SECONDARY LOCK SIZE: A3 CAGE CODE: 00779 DRAWING NO: C-282189		RESTRICTED TO: -	
		CUSTOMER DRAWING		SCALE: -	SHEET: 1 of 2

LOC		DIST		REVISIONS			
I	-	P	LTR	DESCRIPTION	DATE	DWN	APVD
-	-	-	-	SEE SHEET 1	-	-	-



DETT. LINGUETTA TAB-SCALA 5:1-
(TAB DETAIL)



FORMA ALTERNATIVA PERMESSA CON RAGGIO
(ALLOWED ALTERNATIVE PROFILE WITH RADIUS)

- 1 QUOTE APPLICABILI PER SFORMATURA PEZZO
(DRAFT PERMITTED TO FACILITATE REMOVAL OF PART FROM THE MOULD)
- 2 MATERIALE LINGUETTE: LEGA DI RAME STAGNATA, ES. OTTONE STAGNATO.
(TAB CONTACT MATERIAL: TIN PLATED COPPER ALLOY. E.G. BRASS TIN PLATED)
- 3 MATERIALE BLOCCHETTO: TERMOPLASTICO CARICATO FIBRA VETRO.
(HOUSING MATERIAL: THERMOPLASTIC, GLASS FIBER FILLED)

METRIC	DIAM. ISOLANTE (INS. DIA. RANGE)	RANGO FILO (WIRE RANGE)
	---	---

CUSTOMER DWG. FOR REFERENCE ONLY DISEGNO PER CLIENTE SOLO PER RIFERIMENTO



2 POS.SPLASH PROOF CONN.ASS'Y with SECONDARY LOCK

SIZE	CAGE CODE	DRAWING NO	RESTRICTED TO
A3	00779	C-282189	-

THIS DRAWING IS A CONTROLLED DOCUMENT.		DWN	-
DIMENSIONS: mm		CHK	-
TOLEANCES UNLESS OTHERWISE SPECIFIED:		APVD	-
0 PLC	± -	PRODUCT SPEC	-
1 PLC	± 0.3	APPLICATION SPEC	-
2 PLC	± -	WEIGHT	-
3 PLC	± -	CUSTOMER DRAWING	
4 PLC	± -	SCALE - SHEET 2 of 2 REV M1	
ANGLES	± 2'		
MATERIAL	FINISH		

FINITURA / COLORE (FINISH / COLOUR)	MATERIALE (MATERIAL)	NUMERO (PART NUMBER)