

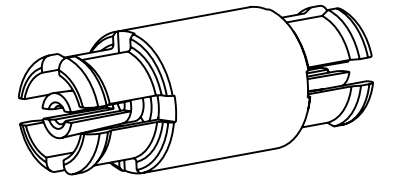
NOTES:

1. MATERIALS AND FINISHES:  
 BODY & CONTACT - BeCu, GOLD PLATING  
 INSULATOR - PTFE, NATURAL
2. ELECTRICAL:  
 A. IMPEDANCE: 50 OHM  
 B. FREQUENCY RANGE: DC - 40 GHz  
 C. VSWR:  
     1.15:1 MAX @ DC - 10 GHz  
     1.25:1 MAX @ 10 - 26.5 GHz  
     1.35:1 MAX @ 26.5 - 40 GHz  
 D. DIELECTRIC WITHSTANDING VOLTAGE: 500 VRMS, MIN.
3. MECHANICAL:  
 A. DURABILITY: 100 MATING CYCLES MIN. WHEN MATED WITH FULL DETENT JACK  
                   500 MATING CYCLES MIN. WHEN MATED WITH SMOOTH BORE JACK  
 B. TEMPERATURE RANGE: -65°C TO 165°C
4. PACKAGING:  
 A. QUANTITY: SINGLE PACK  
 B. MARKING: BAG TO BE MARKED  
     "AMPHENOL RF, 925-141A-51S, AND DATE CODE"

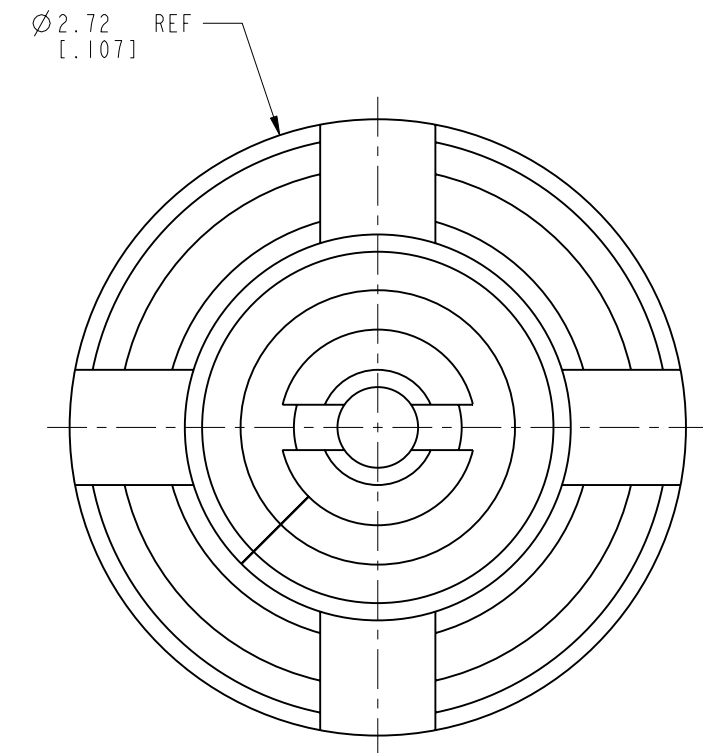
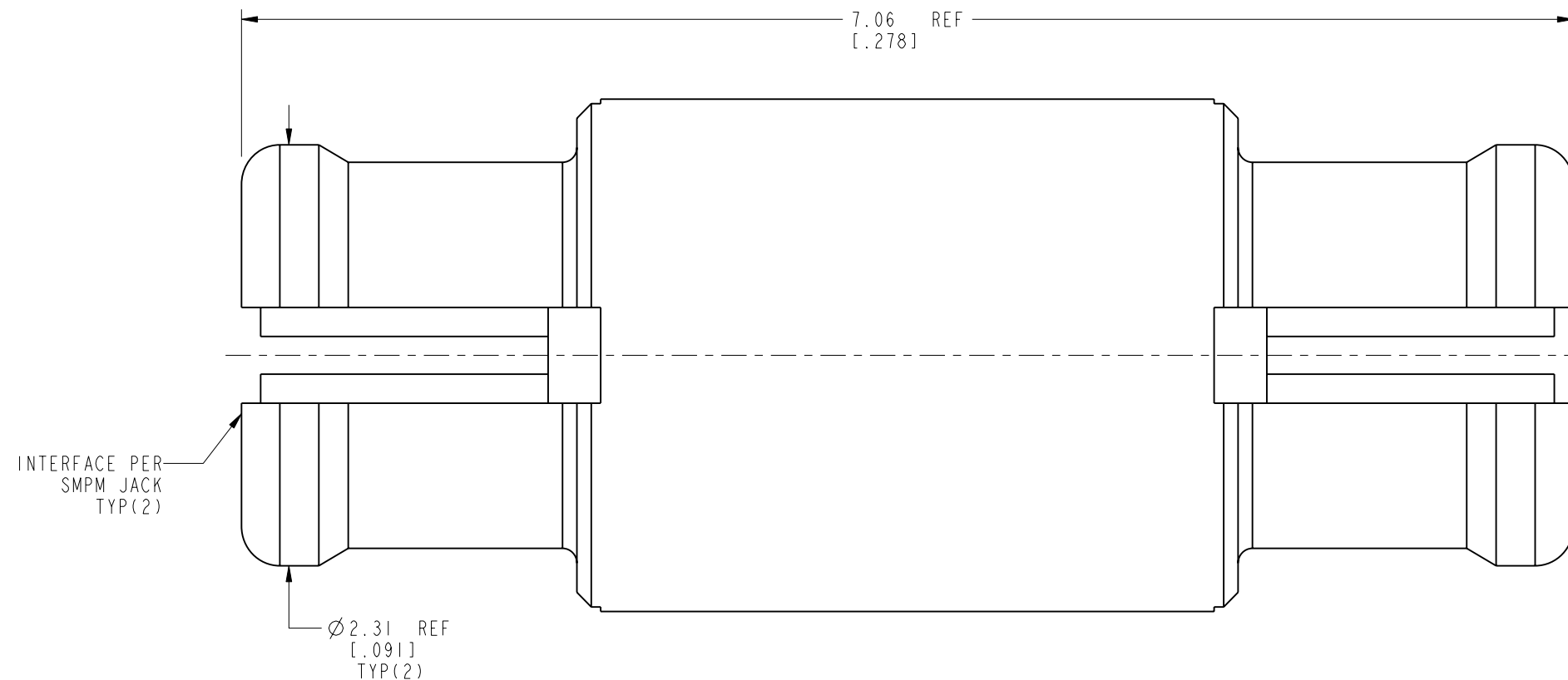
THIRD ANGLE PROJ.

REVISIONS

REV	DESCRIPTION	DATE	ECO	APPR
A	RELEASE TO MFG.	16-Dec-16	02642	EW



SCALE 7.000



**CUSTOMER OUTLINE DRAWING**

ALL OTHER SHEETS ARE FOR INTERNAL USE ONLY

UNLESS OTHERWISE SPECIFIED, DIMENSIONS ARE IN METRIC AND TOLERANCES ARE: <0.5mm ±0.05mm    0.5 - 6mm ±0.1mm    6 - 30mm ±0.2mm    30 - 120mm ±0.3mm    ANGLES ±1°	MATERIAL	DRAWN	DATE	TITLE SMPM STR BULLET JACK TO JACK ASSEMBLY .278" LONG	Amphenol RF www.amphenolrf.com
	SEE NOTES	M. ZHANG	16-Dec-16		
NOTICE - These drawings, specifications, or other data (1) are, and remain the property of Amphenol corp. (2) must be returned upon request; and (3) are confidential and not to be disclosed to any person other than those to whom they are given by Amphenol Corp. the furnishing of these drawings, specifications, or other data by Amphenol Corp., or to any other person to anyone for any purpose is not to be regarded by implication or otherwise in any manner licensing, granting rights to permitting such holder or any other person to manufacture, use or sell any product, process or design, patented or otherwise, that may in any way be related to or disclosed by said drawings, specifications, or other data.	REFERENCE	ENGINEER	DATE	SCALE: 30.0:1.0	SHEET 2 OF 2 DWG SIZE B REV A
	EAR # 5420	E. WANKOFF	11-Jan-13	SHEET 2 OF 2	
	CONFIGURATION LEVEL: In Work	APPROVED	DATE		
FINISH	S. HSIEH	19-Dec-16			
		CAD FILE			
					DRAWING NO. 925-141A-51S ITEM NO. 925-141A-51S PART NO. 925-141A-51S