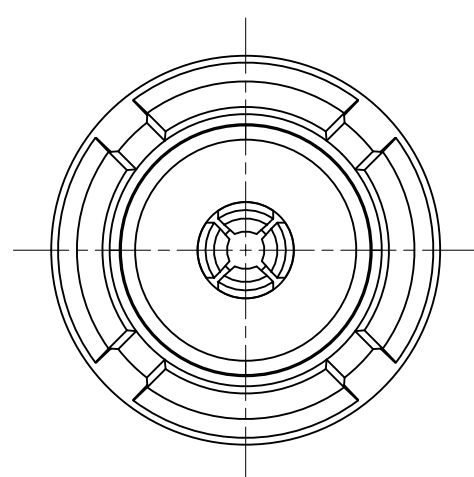
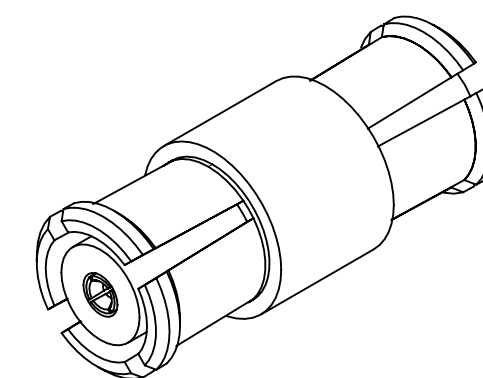


MATERIALS AND FINISHES:

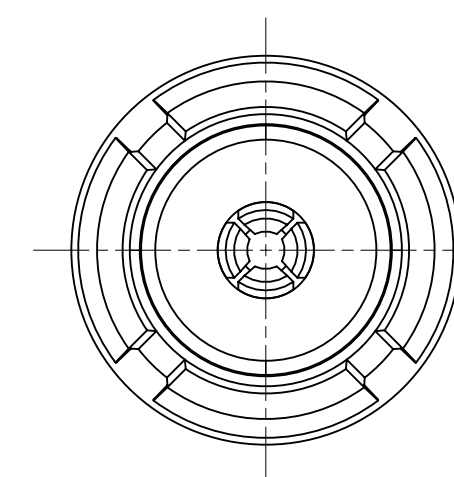
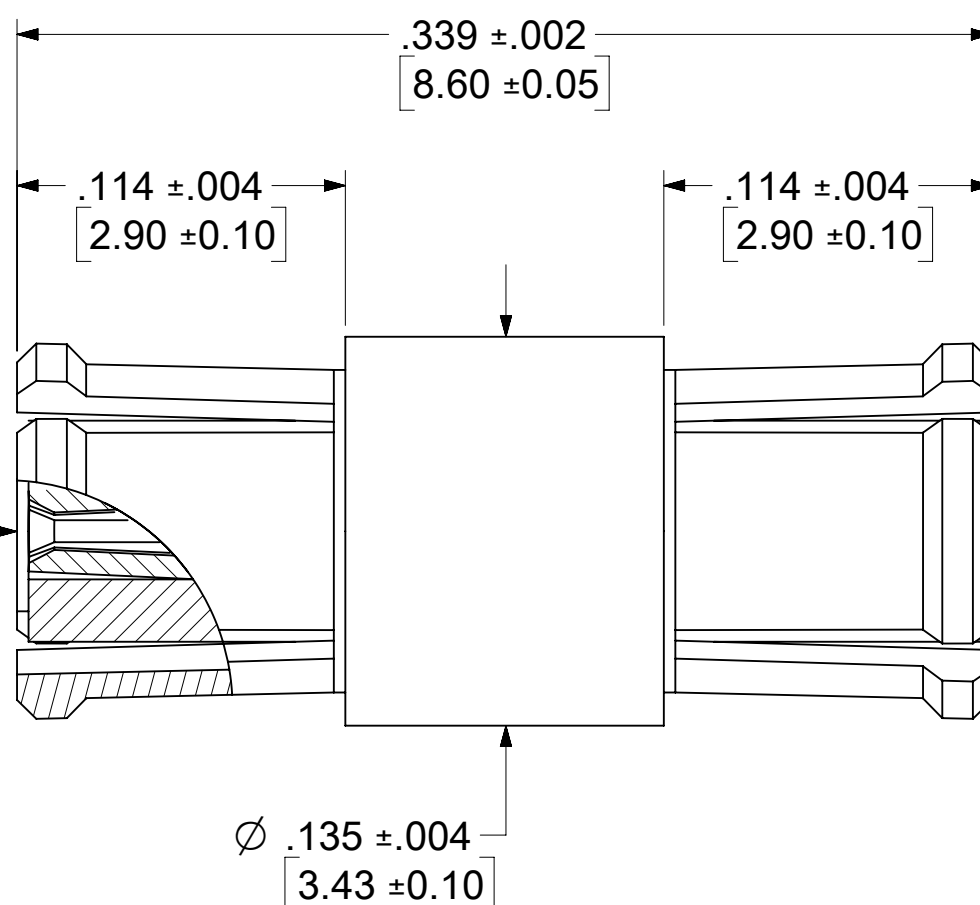
BODY: BERYLLIUM COPPER
PLATED GOLD

CENTER CONTACT: BERYLLIUM COPPER
PLATED GOLD

INSULATOR: PTFE



MODIFIED SMP JACK
INTERFACR
BOTH ENDS



LABEL FORMAT FOR
73406-0531

PART NUMBER: 73406-0530
ORDER NUMBER: 73406-0531
MOLEX
DATE: YYWW

73406-0531	73406-0530 ONE PER BAG	895420470
73406-0530	73406-0530 TRAY	895420040
PART NO.	DESCRIPTION	PACKING SPEC

THIS DRAWING CONTAINS INFORMATION THAT IS PROPRIETARY TO MOLEX ELECTRONIC TECHNOLOGIES, LLC AND SHOULD NOT BE USED WITHOUT WRITTEN PERMISSION

DIMENSION UNITS INCH/MM	SCALE NTS	CURRENT REV DESC: ADD 73406-0531 PER EWR #15321-B	molex			
GENERAL TOLERANCES (UNLESS SPECIFIED)		EC NO: 718858				
ANGULAR TOL ± 2.0°	4 PLACES ±	DRWN: RYEH	2022/08/09			
	3 PLACES ±	CHK'D: YCHENG	2022/08/25			
	2 PLACES ±	APPR: YCHENG	2022/08/25			
	1 PLACE ±	INITIAL REVISION:		PRODUCT CUSTOMER DRAWING		
	0 PLACES ±	DRWN: RYEH	2015/10/07	DOCUMENT NUMBER	DOC TYPE	
		APPR: YCHENG	2015/11/04	SD-73406-053	PSD	
DRAFT WHERE APPLICABLE MUST REMAIN WITHIN DIMENSIONS	THIRD ANGLE PROJECTION	DRAWING	SERIES	MATERIAL NUMBER	CUSTOMER	
		C-SIZE	73406	SEE TABLE	GENERAL MARKET	
					SHEET NUMBER	
					1 OF 1	

DOCUMENT STATUS	P1	RELEASE DATE	2022/08/25	06:22:08
-----------------	----	--------------	------------	----------