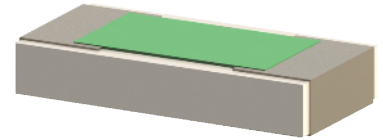


RP0603ZZ-XXXXWN-91 Features:

- Wraparound Terminals
- Solder or Epoxy Attachment
- Customer Defined Testing Available
- RoHS Compliant or SnPb Available
- Tape & Reel or Waffle Pack Available (Standard is bulk)



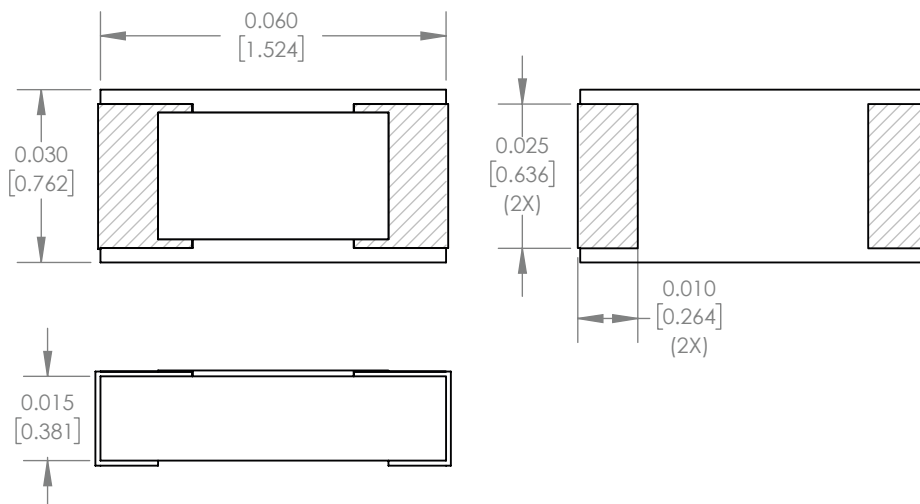
RP0603ZZ-XXXXWN-91 Parameters:

Resistance Range: 0.5Ω - 1MΩ
 Rated Power: 200mW*
 Construction: Thick Film on Al₂O₃
 Operating Temperature: -55 to +150°C

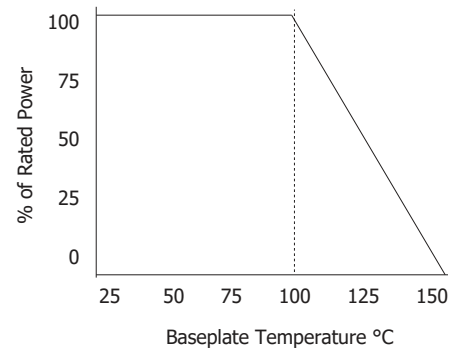
■ Actual Size

* Rating based on ≤100°C constant baseplate temperature

RP0603ZZ-XXXXWN-91 Dimensions:



RP0603ZZ-XXXXWN-91 Power Derating Curve



Dimensions in inches [mm]
 Tolerance is ± 0.005 [0.127]
 unless otherwise stated

Ordering Information:

Example Part Number: RP0603CT-50R0JN-91

| | | | | | | | | | |
|--------------------------------|------|----|---|---|----------------------------|--|---|--|--|
| RP | 0603 | ZZ | - | XXXX | W | N | - | 91 | UU |
| Prefix for Wraparound Resistor | | | | Value Code Examples | Tolerance | Normal Inspection | | Substrate | Packaging |
| Size | 0603 | | | 10R0 - 10Ω 1002 - 10KΩ 1000 - 100Ω 1003 - 100KΩ 1001 - 1KΩ 1004 - 1MΩ | F - 1% G - 2% J - 5% | Contact factory for additional options | | 91 - 0.015" Al ₂ O ₃ | Blank - Bulk TR - Tape and Reel WP - Waffle Pack |

| Terminal Metallization | RoHS | Magnetic | Solder | Epoxy | Wirebond |
|---|------|----------|--------|-------|----------|
| AS - SnPb over Platinum Palladium Gold | No | No | Yes | No | No |
| BA - Palladium Silver | Yes | No | No | Yes | No |
| CT - 100% Matte Tin over Nickel over Silver | Yes | Yes | Yes | No | No |
| CB - SnPb over Nickel over Silver | No | Yes | Yes | No | No |
| DS - Sn96 over Palladium Silver | Yes | No | Yes | No | No |
| GA - Gold | Yes | No | No | Yes | Yes |

Barry Industries reserves the right to change part number and/or process without notification.

RP0603ZZ-XXXXWN-91 Reliability Specifications:

| Parameter: | Test Condition: | Results: |
|------------------------------|---|--|
| Short Time Overload | Apply 1.1x Rated Power for 5 Seconds. | ≤ 5.0% Resistance Shift |
| Rated Load Life | Apply 1/2 Power Under 40°C ±2°C 90 Minutes on/ 30 Minutes off. Repeat for 100 hours | ≤ 5.0% Resistance Shift |
| Moisture Resistance | MIL-PRF-55342 para 4.8.9 95% RH, 25°C - 65°C | ≤ 5.0% Resistance Shift |
| Resistance to Soldering Heat | MIL-STD-202 Method 210 and MIL-PRF-55342 Para 4.8.8.1 | ≤ 5.0% Resistance Shift |
| Solderability | MIL-PRF-55342 Para 4.8.12 | >95% Covered |
| High Temperature Storage | 125°C ±2°C for 500 Hours | 1.) ≤ 5.0% Resistance Shift 2.) No Significant Abnormality (Visual) |
| Thermal Shock | -65°C to +150°C 30 Minutes Dwell, 5 Cycles | 1.) ≤ 5.0% Resistance Shift 2.) No Significant Abnormality (Visual) |

Barry Industries reserves the right to change part number and/or process without notification.