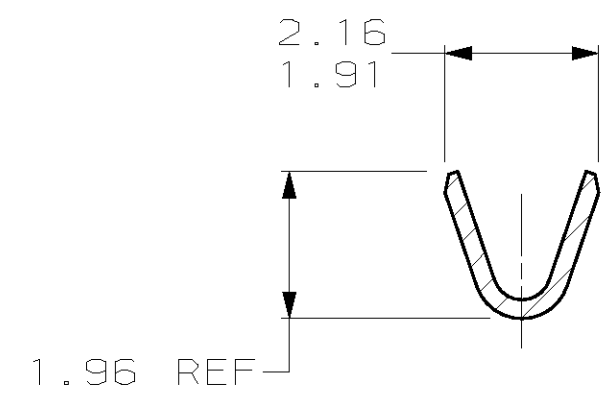
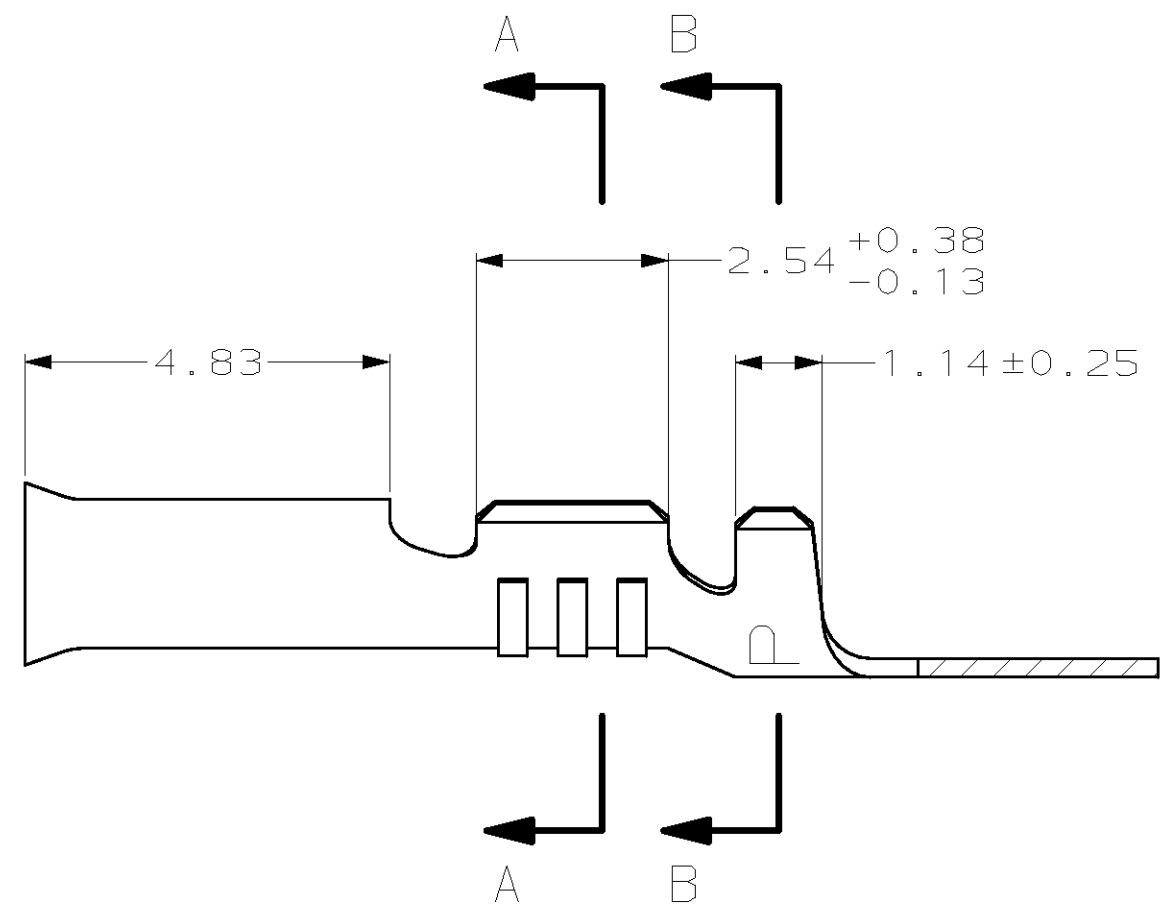
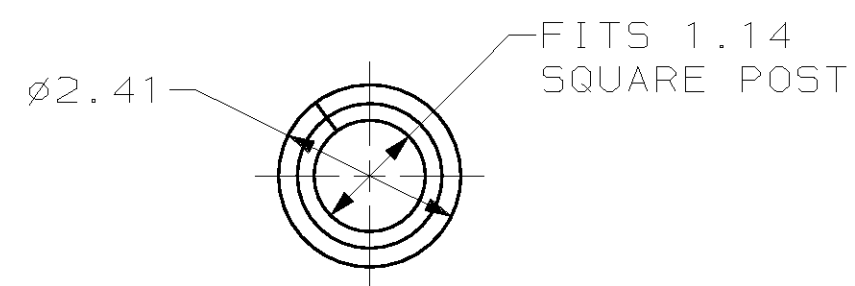
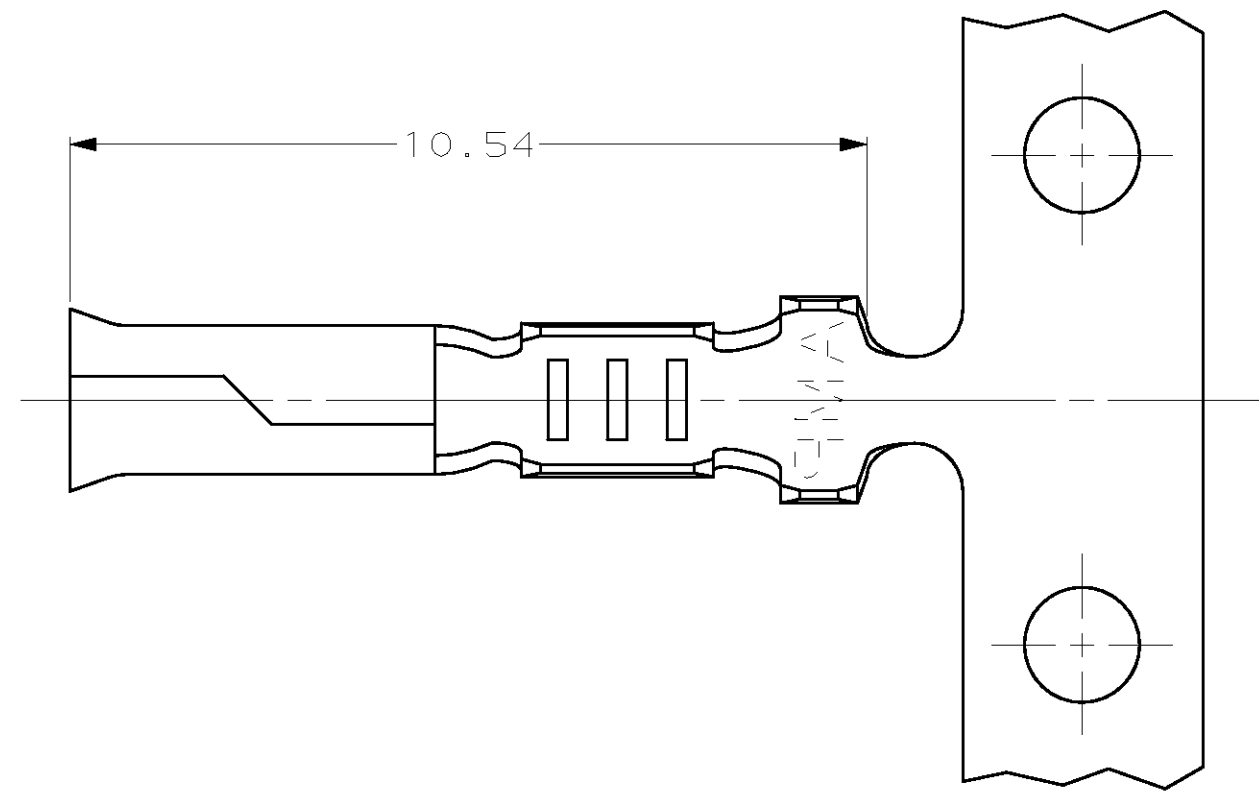
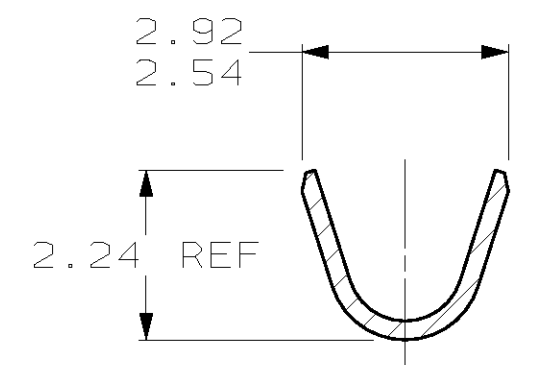


LOC		DIST		REVISIONS			
P	LTR	DESCRIPTION	DATE	DWN	APVD		
CM	52	J	REV PER EC	0L30-0273-97	12-11-97	JH	RS

1. WIRE RANGE: 0.2 - 0.6 MM² (24 - 20 AWG)
2. INSULATION RANGE: 1.78 MAX



SECTION A-A



SECTION B-B

0	2.03	4.06	F	1.40	1.02	0.5 MM ² (20 AWG)
					0.94	0.3 MM ² (22 AWG)
					0.84	0.2 MM ² (24 AWG)
TYPE	WIDTH	STRIP LENGTH ±0.38	TYPE	WIDTH	HEIGHT ±0.05	WIRE
INSULATION BARREL CRIMP			WIRE BARREL CRIMP			

61622-1
PART NUMBER

MM	IN	MM	IN	MM	IN	MM	IN
0.84	.033	1.91	.075	2.54	.100	-	-
0.38	.015	1.78	.070	2.41	.095	-	-
0.25	.010	1.40	.055	2.24	.088	10.54	.415
0.13	.005	1.14	.045	2.16	.085	4.83	.190
0.05	.002	1.02	.040	2.03	.080	4.06	.160
0.0035	.00014	0.94	.037	1.96	.077	2.92	.115
MM	IN	MM	IN	MM	IN	MM	IN

CONVERSION TABLE

METRIC

THIS DRAWING IS A CONTROLLED DOCUMENT.

DIMENSIONS: mm	TOLERANCES UNLESS OTHERWISE SPECIFIED:	DWN T. BECK 6-30-97	AMP Incorporated Harrisburg, PA 17105-3608
	0 PLC ±	CHK R. SWING 6-30-97	
	1 PLC ±	APVD A. BEDDICK 8-22-97	
	2 PLC ±0.13	NAME POST RECEPTACLE, .045 SQUARE, 24-20 AWG, .070 MAX INSULATION, P.C. CONTACT	
MATERIAL 0.25 BRASS	FINISH 0.0035 MAX PRE-TIN	PRODUCT SPEC 108-1025	SIZE CAGE CODE DRAWING NO RESTRICTED TO
		APPLICATION SPEC 114-1008	A200779-61622
		WEIGHT -	SCALE 10:1 SHEET 1 OF 1 REV J
		CUSTOMER DRAWING	