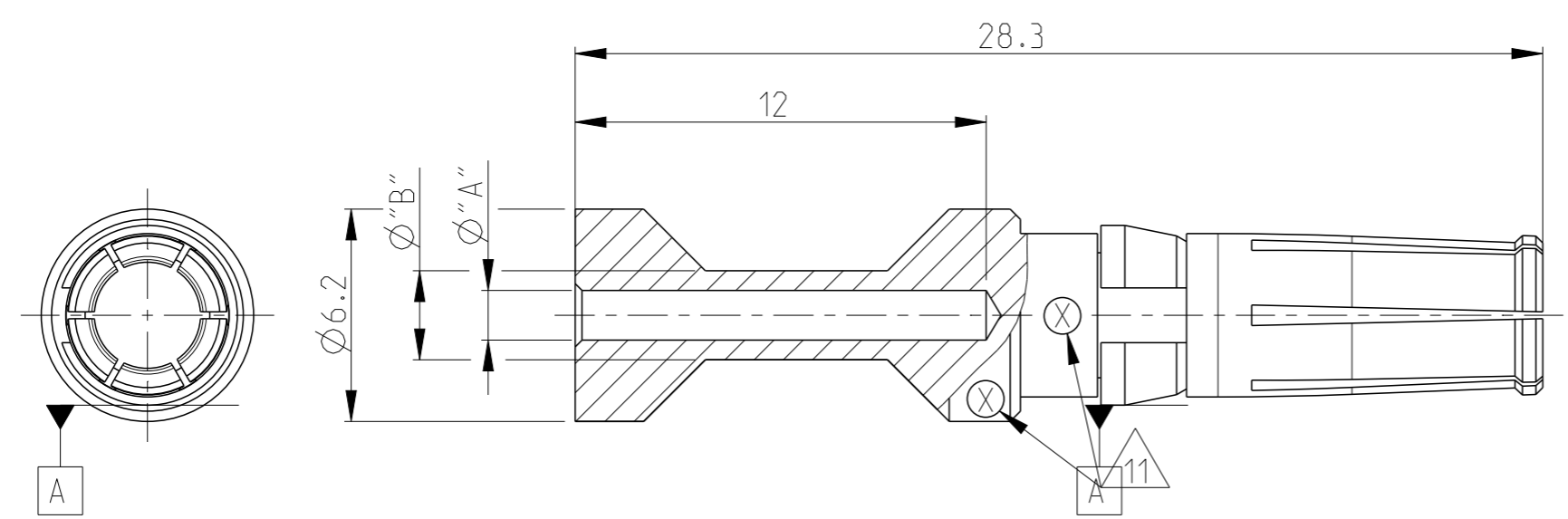


THIS DRAWING IS UNPUBLISHED. RELEASED FOR PUBLICATION 2006
 © COPYRIGHT 2006 BY - ALL RIGHTS RESERVED.

REVISIONS					
P	LTR	DESCRIPTION	DATE	DWN	APVD
A3		ECR-09-005436	11MAR2010	VG	MH
A4		ECR-16-016696	18AUG2017	GCM	MKO
A5		REVISED PER ECR-17-014011	18JAN2018	SRG	MKO
A6		REVISED PER ECR-21-123503	12MAR2022	RK	JB



- Notes
- 1 MATERIAL: BRASS
 - 2 FINISH SILVER PLATING: 2 µm Ag MIN. OVER Cu
 - 3 FINISH GOLD PLATING: 0.75 µm Au MIN. OVER Ni
 - 4 NO VENTILATION HOLE REQUIRED AT CROSS-SECTION >4.0 MM²
 - 5 WEIGHT: 2.8 g, VOLUME: 324mm³ (APPROX.)
 - 6 SUITABLE PIN CONTACT: CUSTOMER DRAWING 1105251
 - 7 SUITABLE INSERTS: SERIES HSM, CUSTOMER DRAWING
 - 8 SUITABLE CRIMP TOOL: PN 1-1105850-8
 - 9 SUITABLE INSERTION TOOL: PN 0-1102855-6
 - 10 SUITABLE EXTRACTION TOOL: PN 0-1102855-4
 - 11 CROSS-SECTION MARKING
 - 12 STANDARDS: DIN EN 61984, DIN EN 60664-1

ORDERING TEXT	PLATING	CROSS SECTION	DIMENSIONS	CROSS-SECTION MARKINGS	STRIPPING-LENGTH
OBSOLETE HSM.Bu.C.Au 10.0mm ²	GOLD 3	10	4.35	5.9	8
OBSOLETE HSM.Bu.C.Au 6.0mm ²		6.0	3.5	4.9	7
OBSOLETE HSM.Bu.C.Au 4.0mm ²		4.0	2.85	3.9	6
OBSOLETE HSM.Bu.C.Au 2.5mm ²		2.5	2.2	3.2	5
OBSOLETE HSM.Bu.C.Au 1.5mm ²		1.5	1.8	3.0	4
OBSOLETE HSM.Bu.C.Au 0.75mm ²		0.75-1.0	1.45	2.6	3
OBSOLETE HSM.Bu.C.Ag 10.0mm ²	SILBER 2	10	4.35	5.9	8
OBSOLETE HSM.Bu.C.Ag 6.0mm ²		6.0	3.5	4.9	7
OBSOLETE HSM.Bu.C.Ag 4.0mm ²		4.0	2.85	3.9	6
OBSOLETE HSM.Bu.C.Ag 2.5mm ²		2.5	2.2	3.2	5
OBSOLETE HSM.Bu.C.Ag 1.5mm ²		1.5	1.8	3.0	4
HSM.Bu.C.Ag 0.75mm ²		0.75-1.0	1.45	2.6	3
		[MM ²]	"A"	"B"	[mm]

THIS DRAWING IS A CONTROLLED DOCUMENT.

DWN: K.SCHROEDER 03APR2008
 CHK: H.BRAUN 03APR2008
 APVD: T.SCHNURPFIL 03APR2008

TE Connectivity

NAME: SOCKET CONTACT SERIES HSM

PRODUCT SPEC

APPLICATION SPEC

WEIGHT

CUSTOMER DRAWING

SIZE: A3 CAGE CODE: 00779 DRAWING NO: 1105251 RESTRICTED TO: []

SCALE: 5:1 SHEET: 1 OF 1 REV: A6

