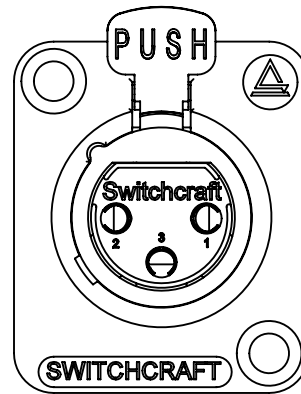
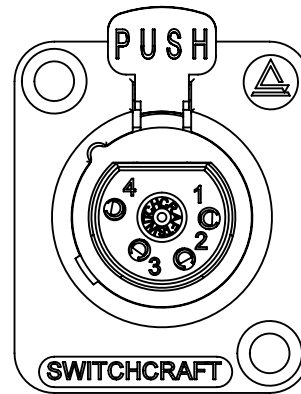


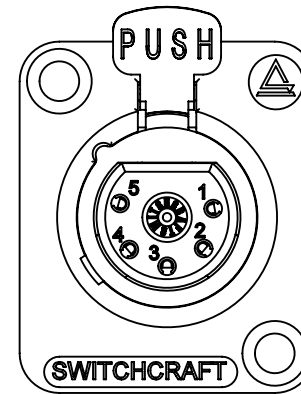
DETENT VERSION
DE5FDB SHOWN



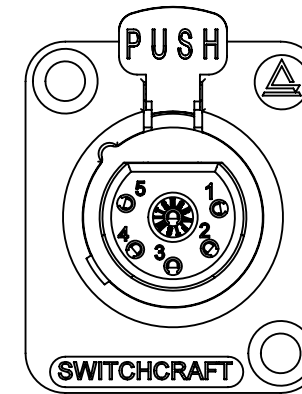
DE3F
3 PIN



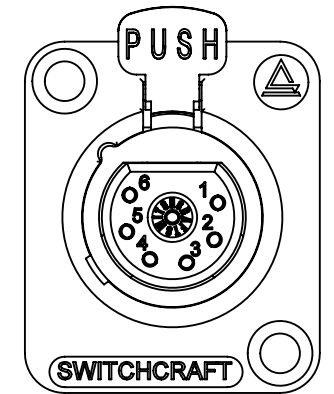
DE4F
4 PIN



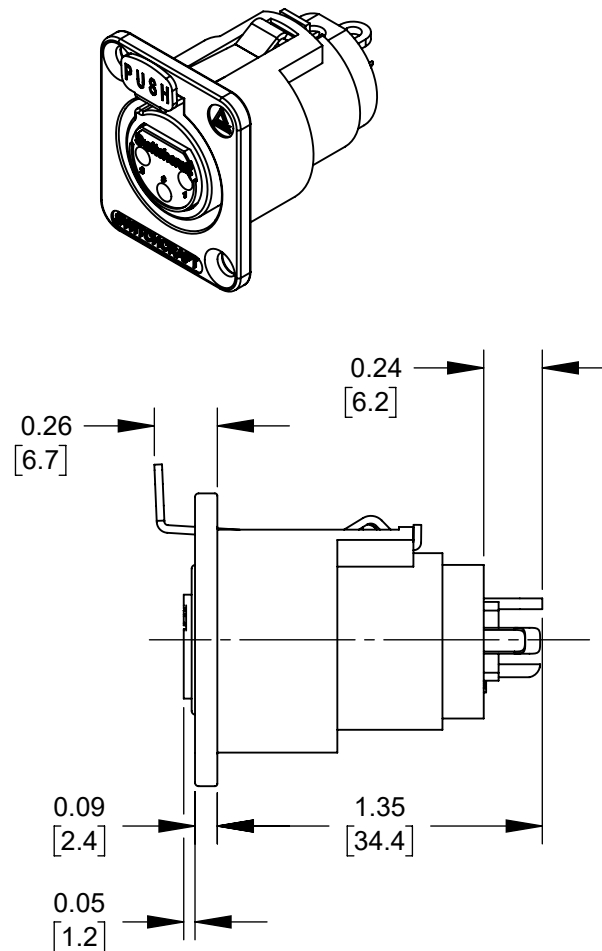
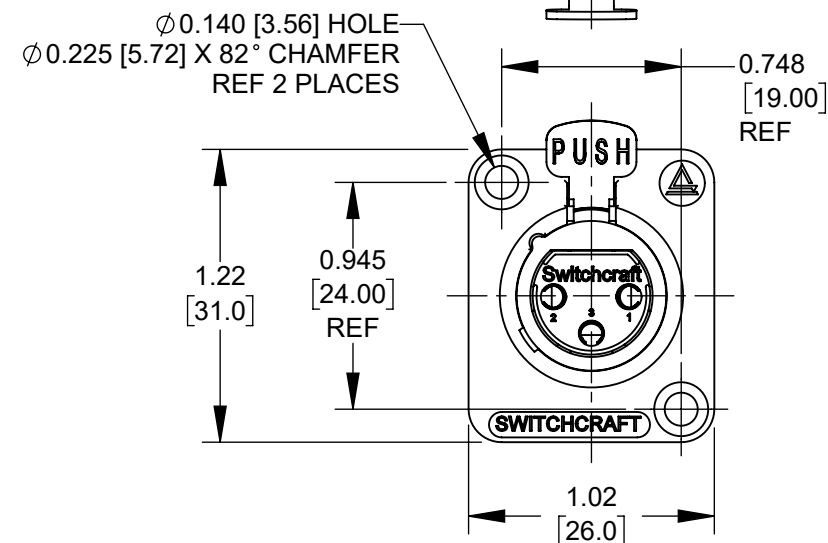
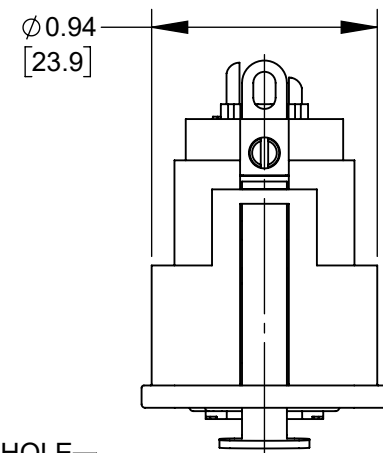
DE5F
5 PIN



DE6F
6 PIN



DE7F
7 PIN



DE **F**

NUMBER OF CONTACTS

3 - 3 CONTACTS
4 - 4 CONTACTS
5 - 5 CONTACTS
6 - 6 CONTACTS
7 - 7 CONTACTS

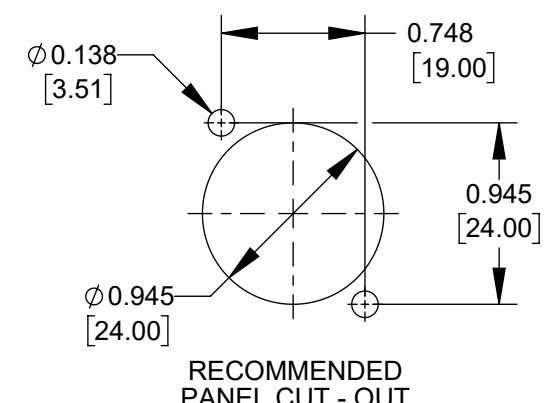
FEMALE CONNECTOR

BLANK - BULK PACKAGING
PKG - INDIVIDUAL PACKAGE
WITH #4-40 x 0.50 LONG SCREWS

CONTACT PLATING
BLANK - SILVER (STANDARD)
AU - GOLD

HOUSING FINISH
BLANK - NICKEL WITH GREEN INSERT
B - BLACK EPOXY WITH BLACK INSERT
W - WHITE EPOXY WITH GREEN INSERT **(B)**

LATCHING
BLANK - RELEASE LEVER
D - DETENT



NOTES:

1. MATERIALS:

HOUSING - ZINC ALLOY, NICKEL PLATED OR BLACK PAINTED OR WHITE PAINTED
SHELL - STAINLESS STEEL
INSERT SCREW - STAINLESS STEEL
INSERTS - THERMOPLASTIC, GREEN OR BLACK
SOLDER TERMINAL - COPPER ALLOY, TIN PLATED
LATCH BUTTON - ZINC ALLOY, NICKEL PLATED
LATCH SPRING - STAINLESS STEEL
LATCH "DETENT" SPRING - STAINLESS STEEL
CONTACT SOCKETS - COPPER ALLOY, SILVER OR GOLD PLATED
RELEASE LEVER - STEEL, NICKEL PLATED OR BLACK OXIDE

2. THESE PARTS ARE RoHS COMPLIANT.

REV	ECO NUMBER	DATE	BY	APVD
C	28470	02-16-22	PC	TJK
B	27480	04-17-15	PC	TJK
A	27401	02-13-15	PC	TJK
REVISIONS				

UNLESS OTHERWISE SPECIFIED

1. ALL DIMENSIONS IN INCHES [mm]
- TWO PLACE DECIMALS ±0.02 [0.5]
- THREE PLACE DECIMALS ±0.005 [0.13]

DO NOT SCALE DRAWING

THIS DRAWING DESCRIBES A DESIGN CONSIDERED PROPRIETARY IN NATURE, DEVELOPED AND MANUFACTURED BY SWITCHCRAFT INC. AND IS RELEASED ON A CONFIDENTIAL BASIS FOR IDENTIFICATION PURPOSES ONLY.										
SIZE	WIDTH	MULT	LBS/M	TEMPER						
FINISH					MATERIAL					
SPEC No.					SPEC No.					
FIRST USED ON					SCALE					
					1.25:1					
DATE DRAWN	BY	CHKD	APVD	Switchcraft [®]						
12-14-12	SRC	SRC	TJK							
					SHEET 1 OF 1					
NAME D SERIES FEMALE QG WITH EH SERIES MOUNTING								PART No. DE3F - DE7F SERIES		REV C

CUSTOMER DRAWING