

6

5


4

3

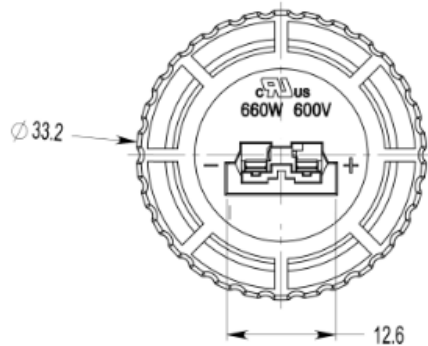
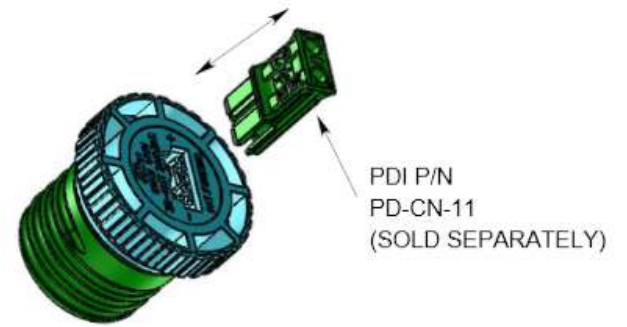
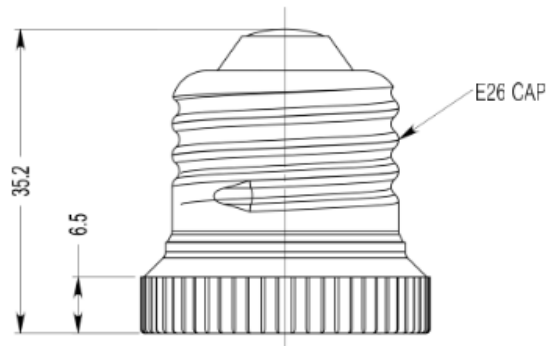
2

1

Insulator: PBT  
 Screw shell: Aluminum, Nickel plated  
 Rating: 660W / 600V

Safety Approval: 

RoHS  
 COMPLIANT



REVISIONS	CHNG	CHK	APPR
	CHANGE		
REV	DATE		

TOLERANCE UNLESS OTHERWISE SPECIFIED	
X	± 1
X.X	± 0.4
X.XX	± 0.13
DRAWN BY	PB
DATE:	5/22/18
CHECK BY	
DATE:	
APPR BY	
DATE:	

**Power Dynamics, Inc.**  
 Phone: 973 560-0019 Whippany, New Jersey Fax: 973 560-0076  
 PART: LIGHTING RETROFIT SOCKET ADAPTER  
 E26 SOCKET SIZE TO PDI P/N PD-CN-11 DISCONNECT

PART #	PD-ZE-406T-1	SHEET	1 of 1
SIZE:	A	ALL DIMENSIONS FOR REFERENCE ONLY DIMENSIONS ARE IN MILLIMETERS	
SCALE:	NTS	REV:	

6

5

4

3

2

1