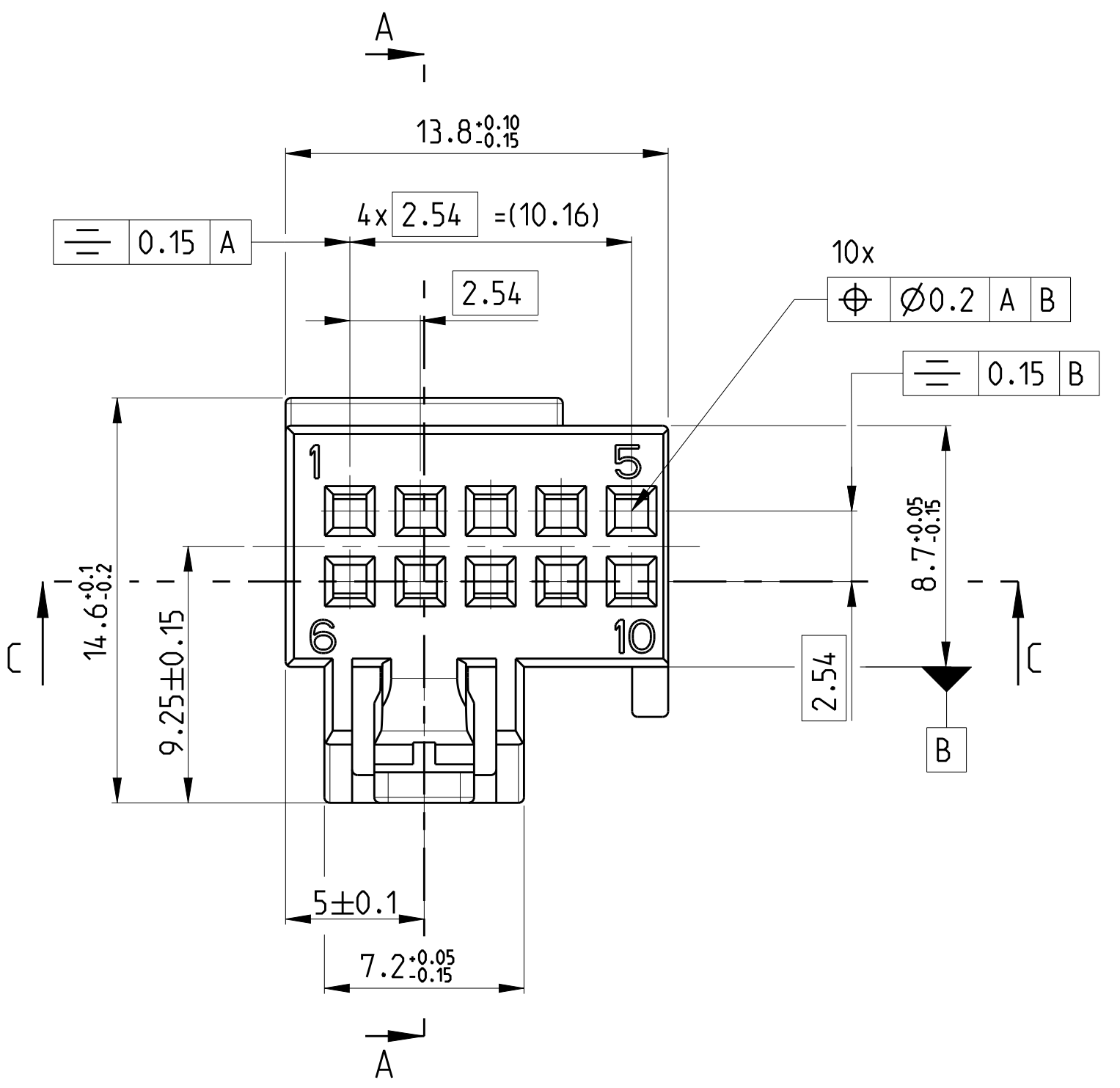
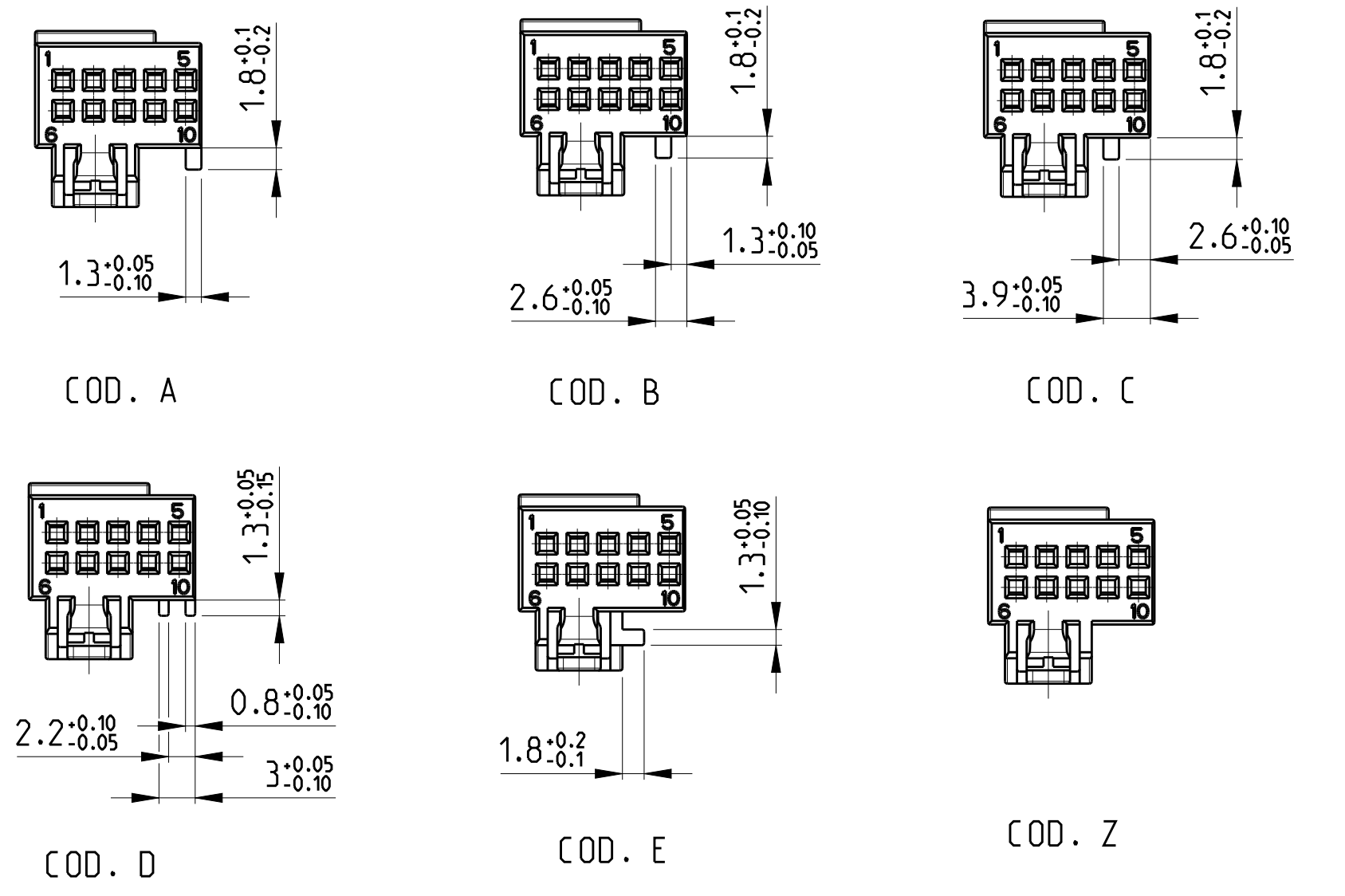
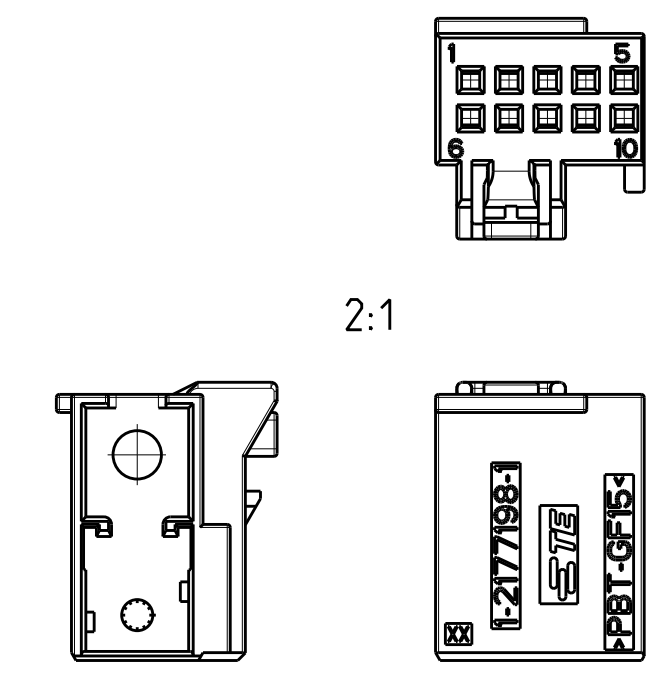
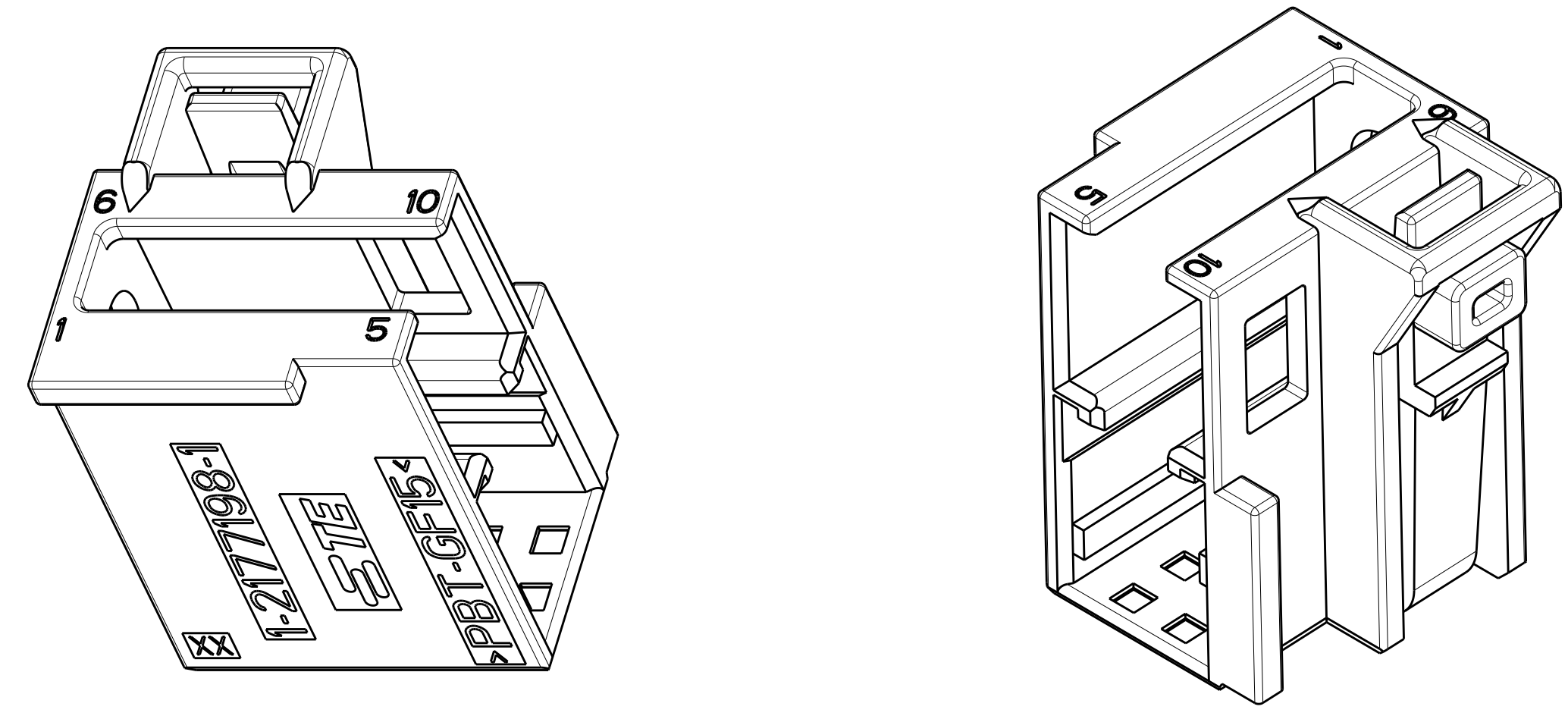
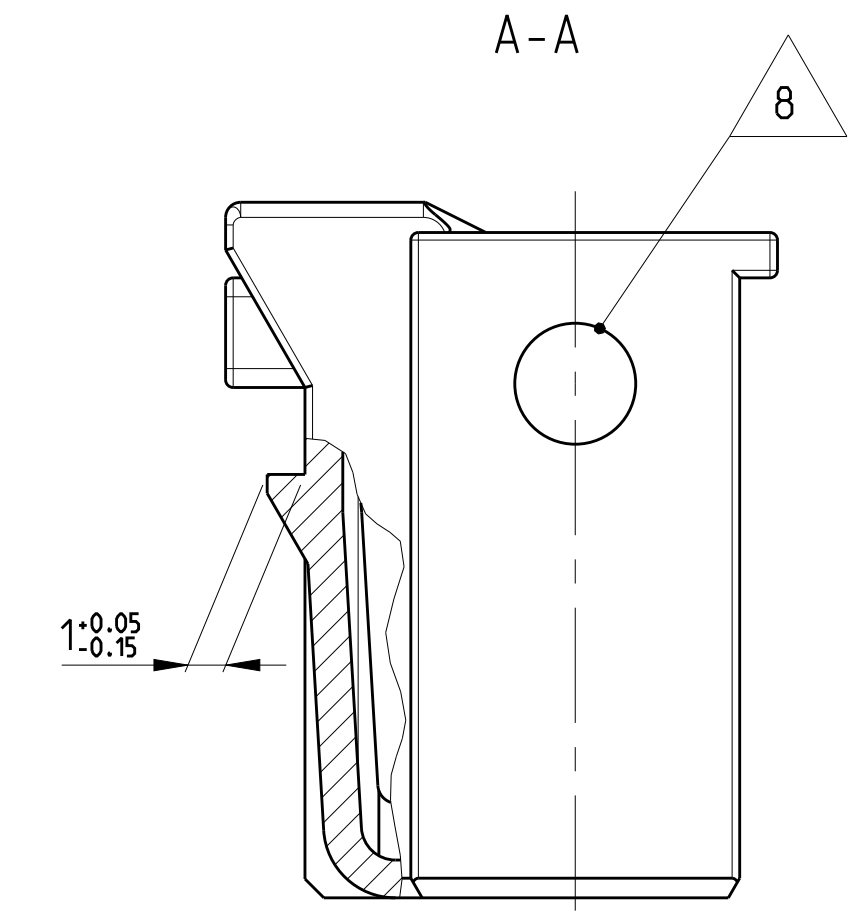
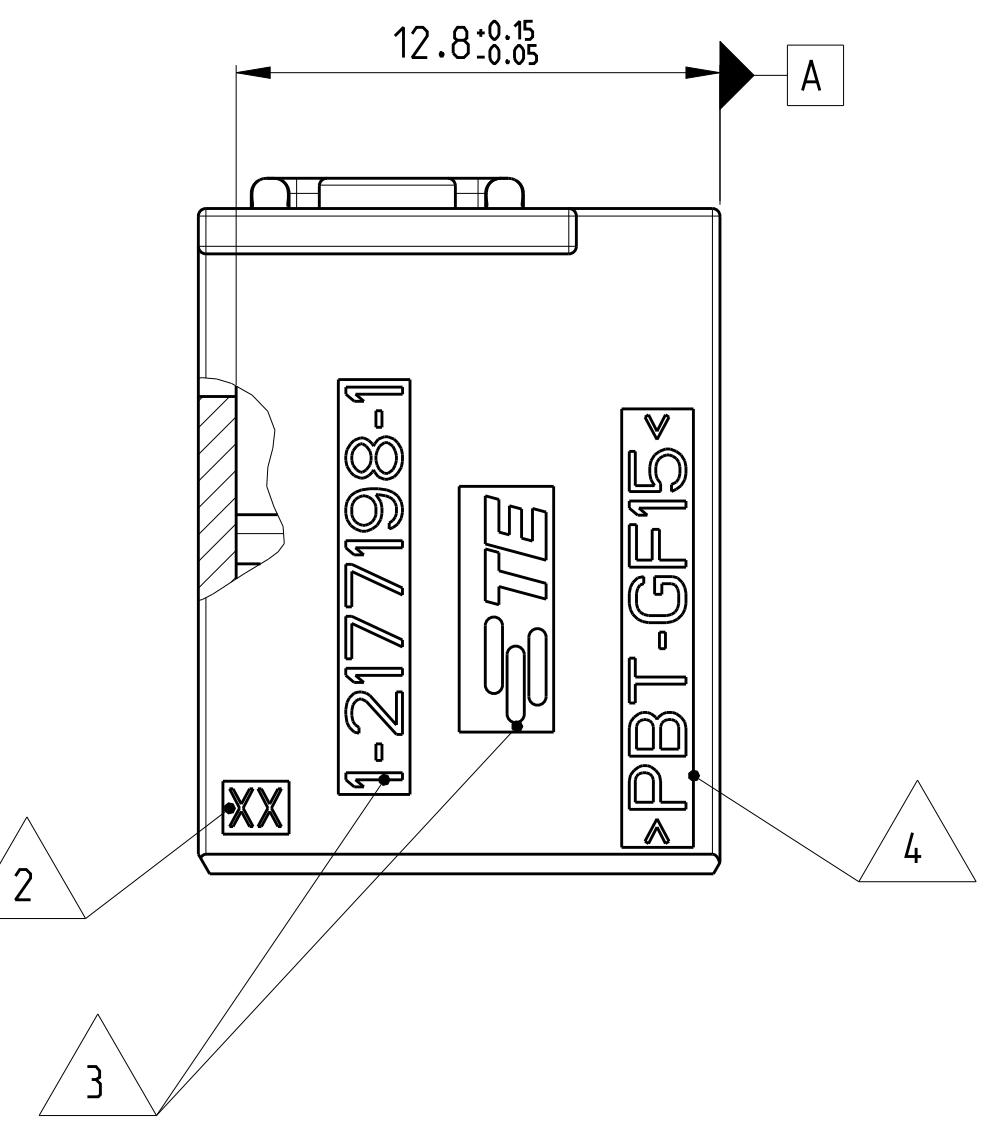
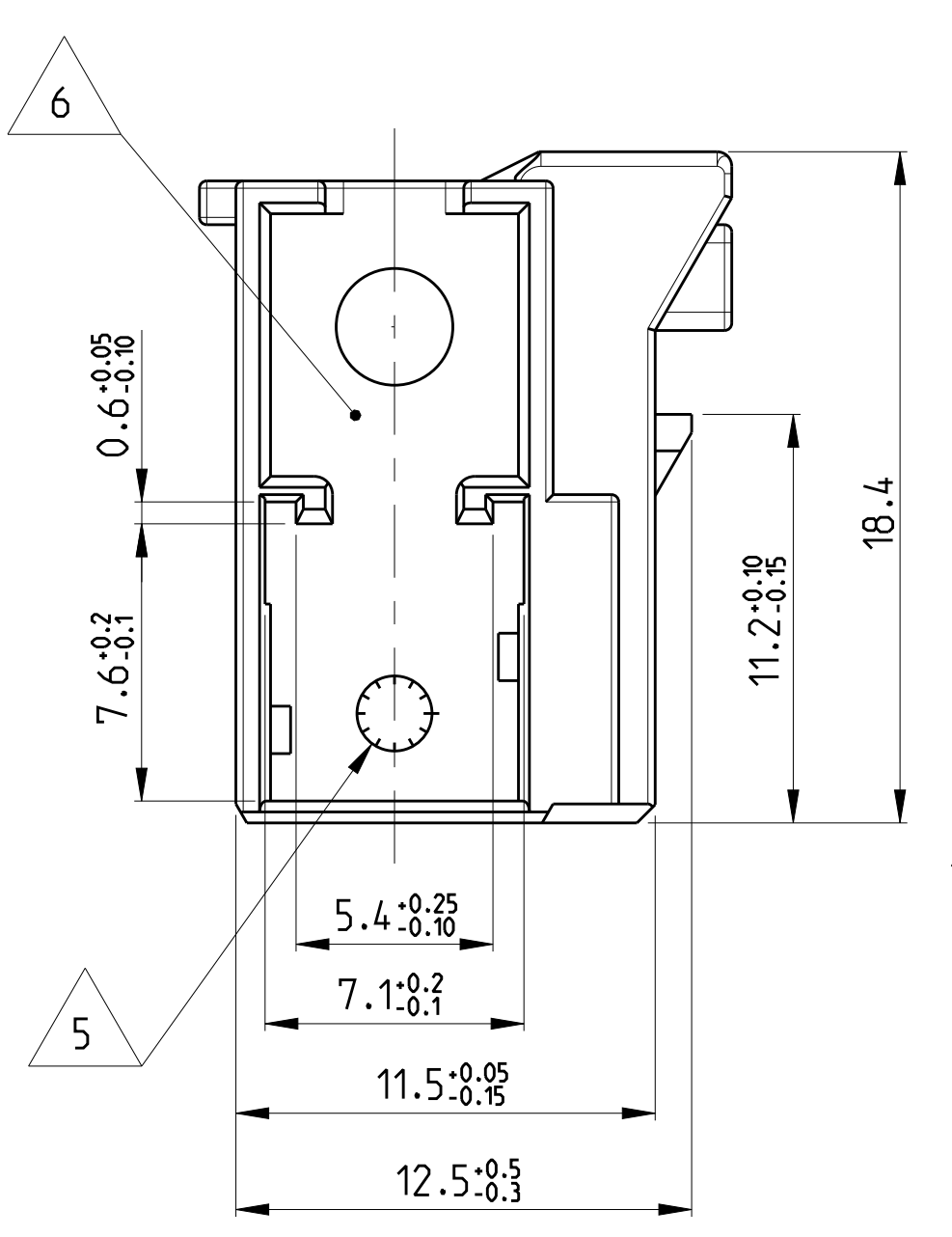
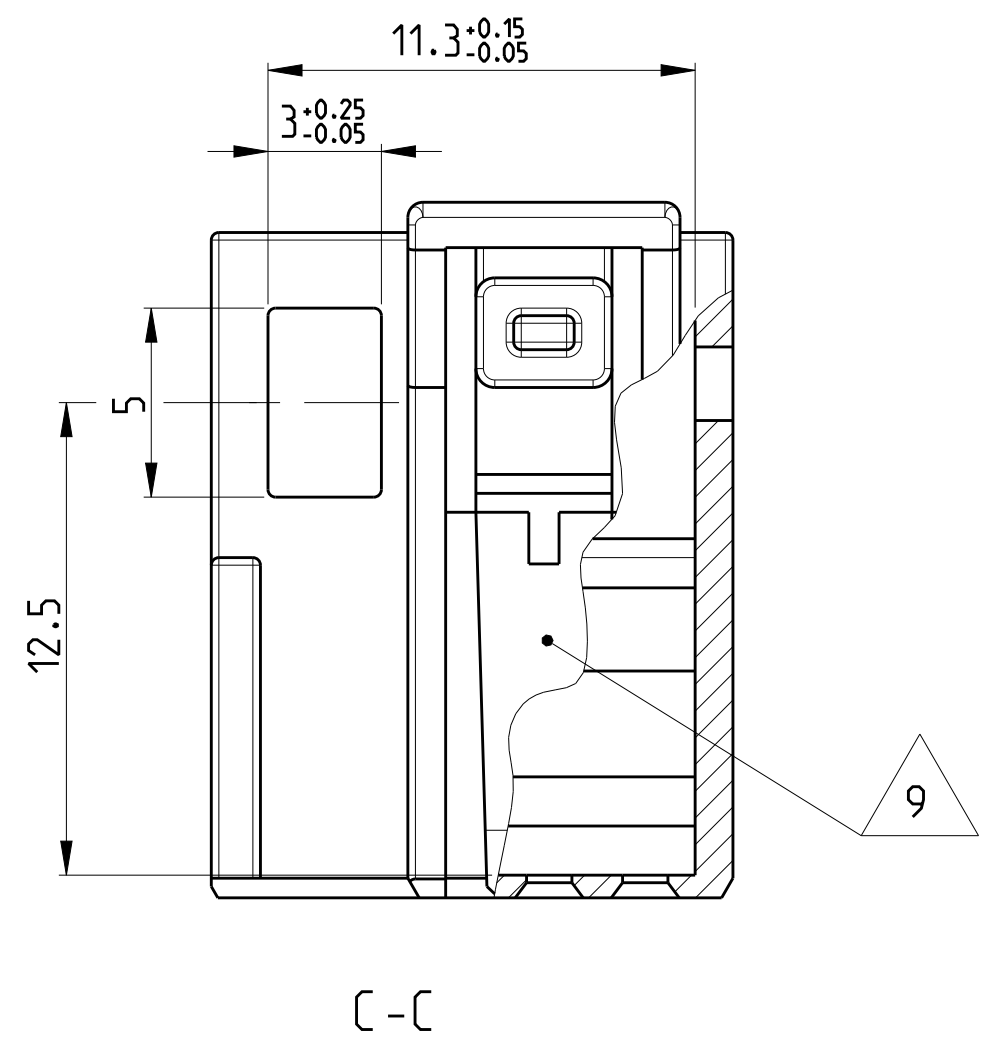


REVISIONS				
P	LTR	DESCRIPTION	DATE	DWN APVD
A1		REVISED PER ECO-13-004307	08MAR2013	DD MB
A2		REVISED PER ECO-16-017603	06DEC2016	DD AH

**CODINGS**  
2:1



- NOTES:**
- 1 CODING 1- -1 AS SHOWN
  - 2 MOULD CAVITY MARKING
  - 3 SUPPLIER MARK
  - 4 MATERIAL IDENTIFICATION
  - 5 DATE CLOCK
  - 6 CAVITIES SUITABLE FOR TE MGS SOCKET HOUSING PN 968562
  - 7 FOR COUNTERPART INTERFACE DRAWING SEE SHEET 2 OF 2
  - 8 THROUGH HOLE NOT RELEVANT FOR FUNCTION OF CONNECTOR, TOOL RETENTION
  - 9 PRESSURE SENSOR NOT RELEVANT FOR FUNCTION OF CONNECTOR



DESCRIPTION	MASS [kg]	COD	TE ORDER NO.	REV.	MATERIAL	SURFACE/COLOUR
COVER, 10POS.	0.00119	Z	9-2177198-1	1	PBT-GF15	WATER BLUE SIMILAR RAL 5021
COVER, 10POS.	0.00121	E	5-2177198-1	1	PBT-GF15	GREEN SIMILAR RAL 6017
COVER, 10POS.	0.00122	D	4-2177198-1	1	PBT-GF15	VIOLET SIMILAR RAL 4004
COVER, 10POS.	0.00121	C	3-2177198-1	1	PBT-GF15	BLUE SIMILAR RAL 5012
COVER, 10POS.	0.00121	B	2-2177198-1	1	PBT-GF15	NATURE
COVER, 10POS.	0.00121	A	1-2177198-2	1	PBT-GF15	CURRY SIMILAR RAL 1027
COVER, 10POS.	0.00121	A	1-2177198-1	1	PBT-GF15	BLACK RAL 9011

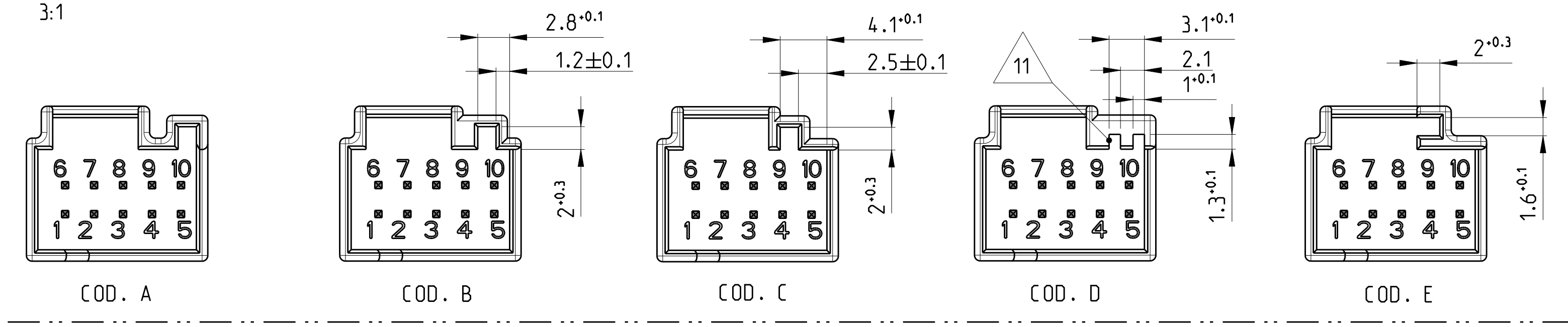
THIS DRAWING IS A CONTROLLED DOCUMENT.

DIMENSIONS:	TOLERANCES UNLESS OTHERWISE SPECIFIED:	DWN: M. POLIZZI 05MAY2011	CHK: M. BANAS 05FEB2013	APVD: M. BANAS 14FEB2013
mm	0 PLC ±0.15 1 PLC ±0.10 2 PLC ±0.10 3 PLC ±0.10 4 PLC ±0.10 ANGLES ±2°	NAME: M. BANAS		
MATERIAL: SEE TABLE	SEE TABLE	PRODUCT SPEC: 108-20319	APPLICATION SPEC:	RESTRICTED TO: -
CUSTOMER DRAWING		WEIGHT: SEE TABLE	SIZE: A1	CAGE CODE: 00779
		DRAWING NO: C=2177198		SCALE: 5:1
		SHEET 1 OF 2		REV: A2

**STE** TE Connectivity

**COVER, 10 POSITION  
MICRO QUADLOCK SYSTEM**

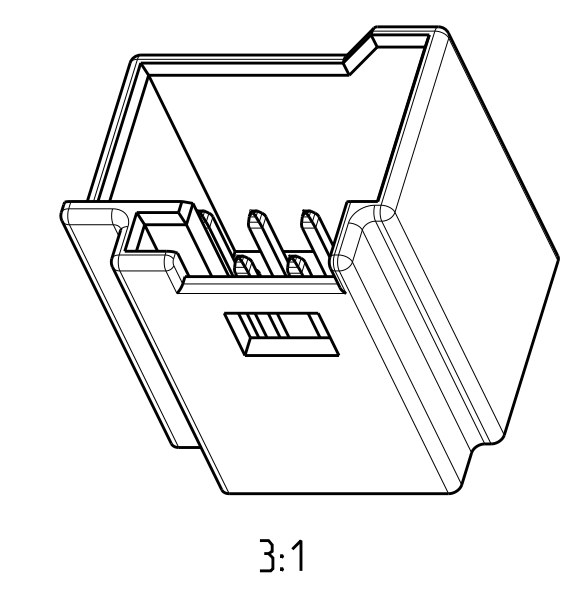
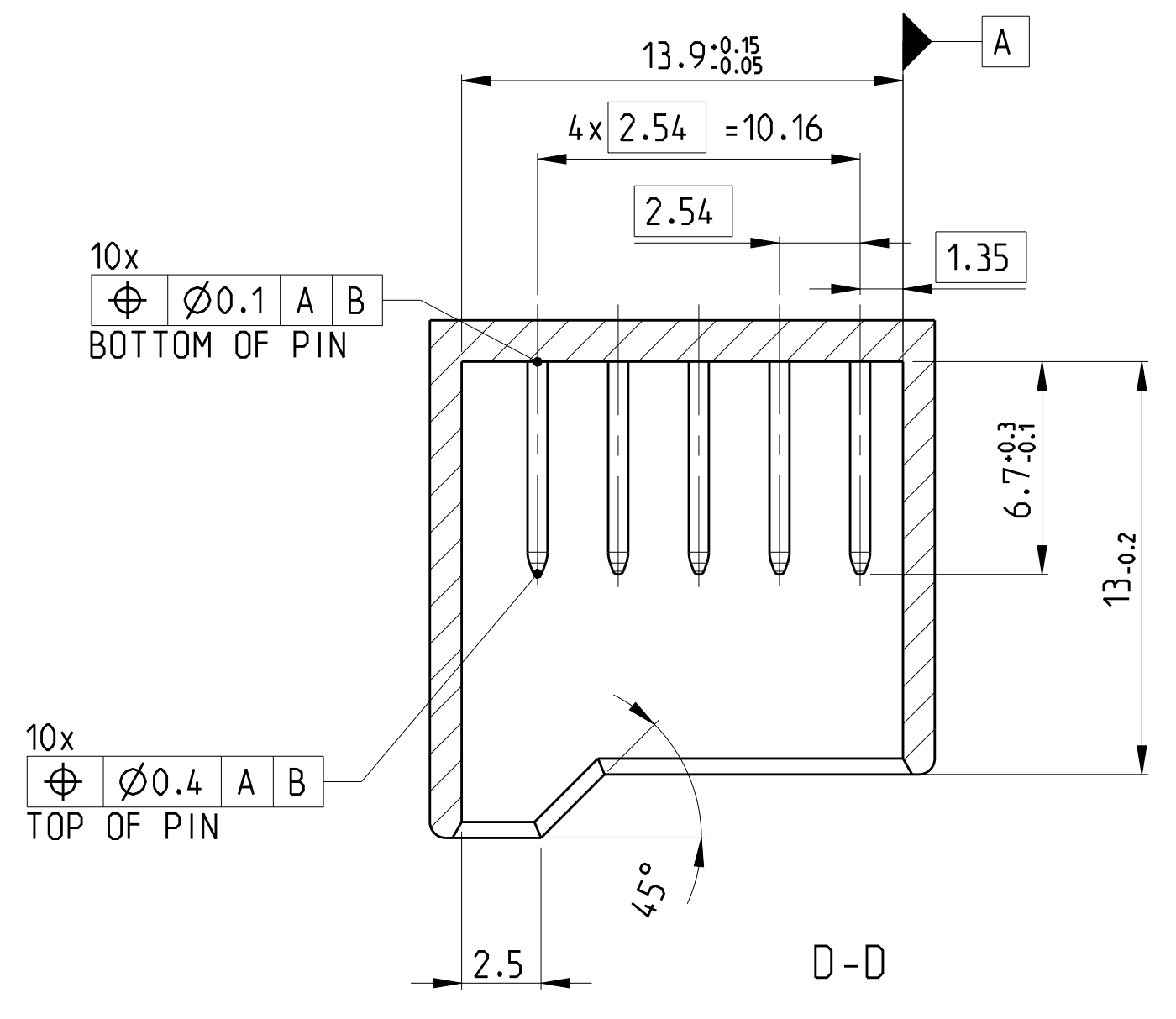
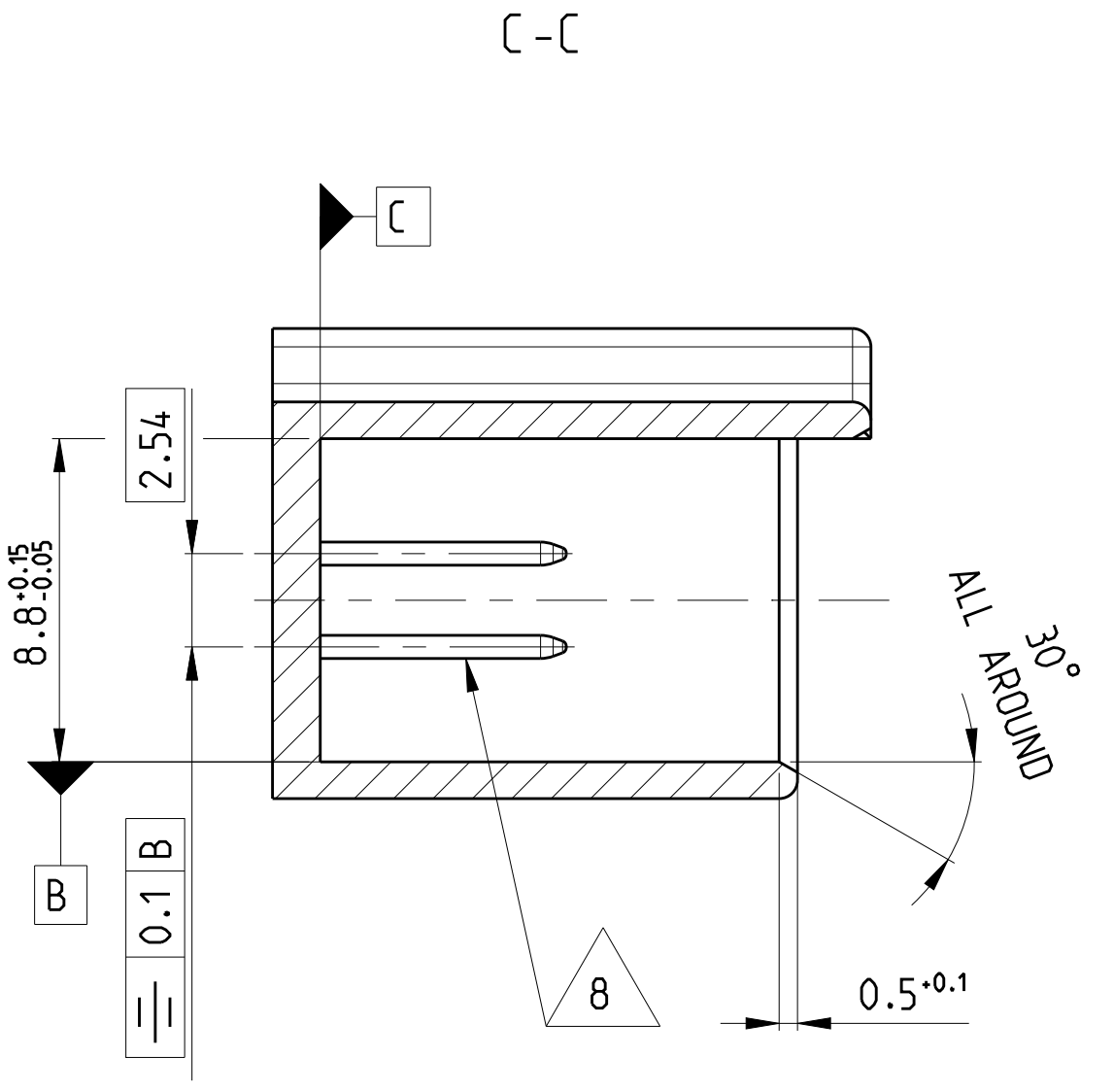
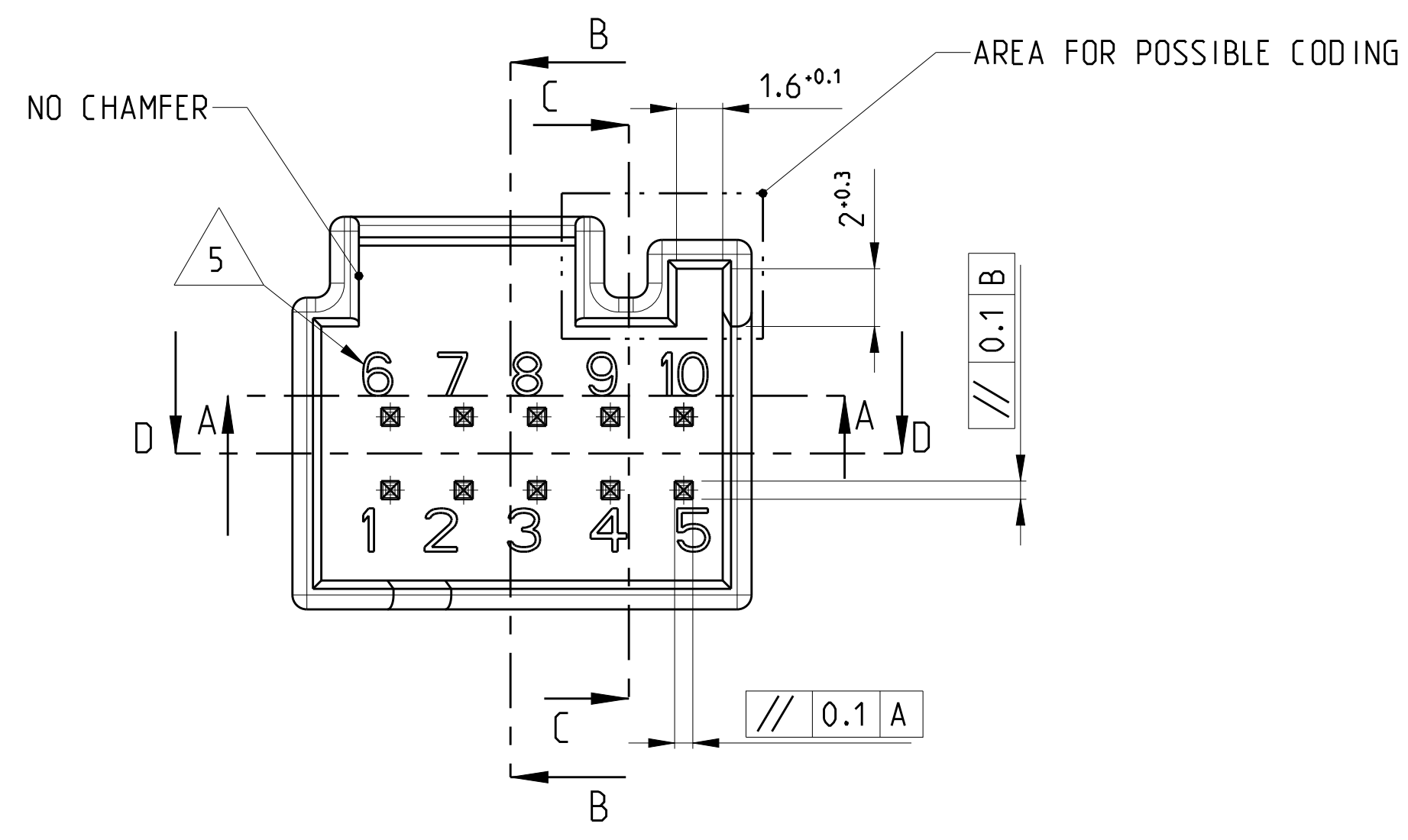
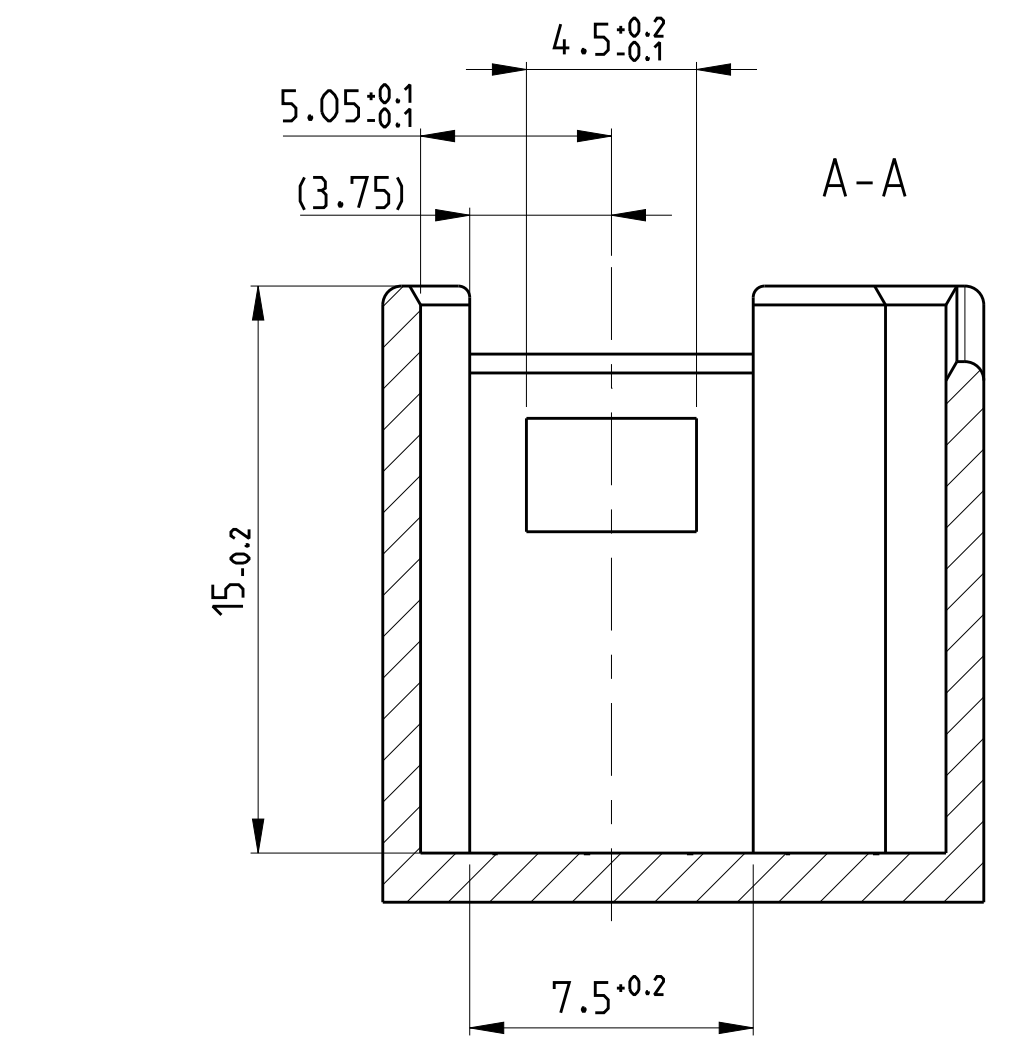
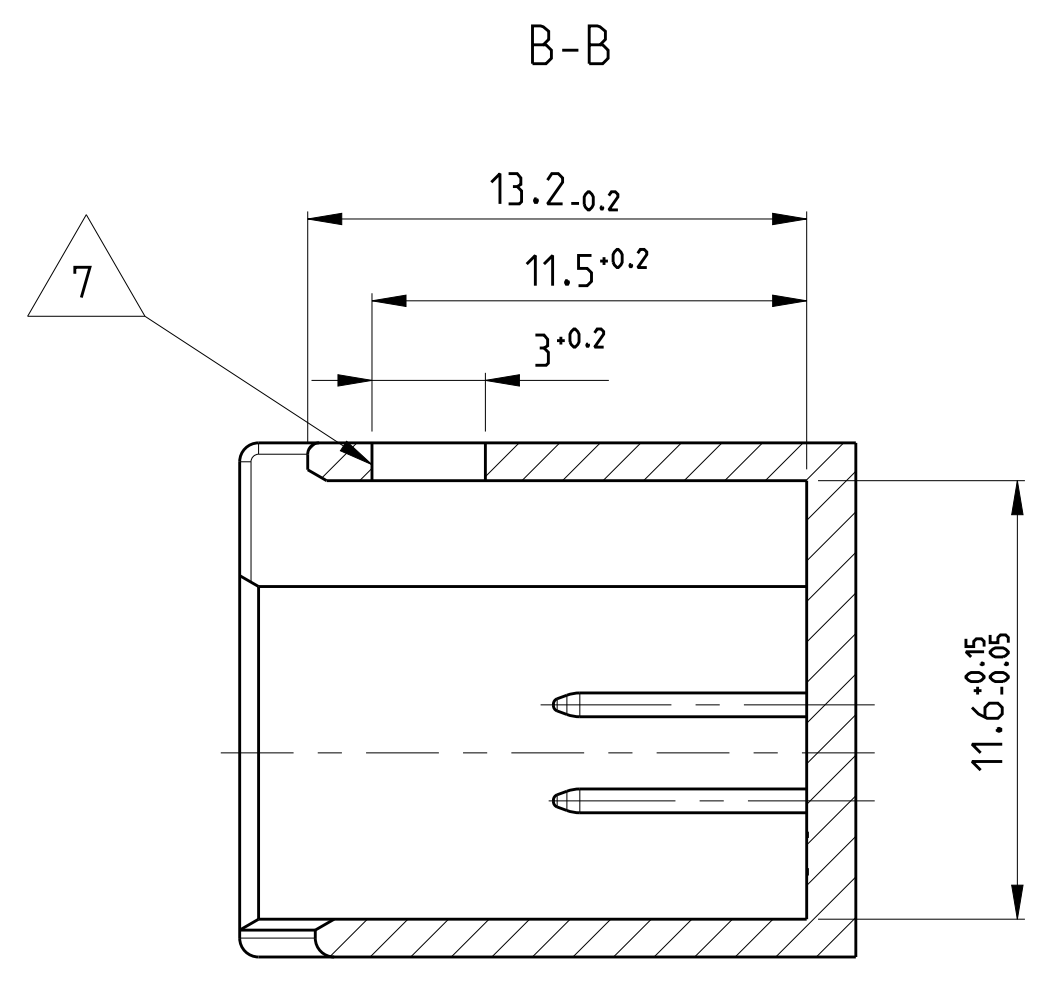
**CODINGS**  
3:1



REVISIONS				
P.	LTR.	DESCRIPTION	DATE	APVD.
-	-	SEE SHEET 1	-	-

**NOTES:**

- CODING A AS SHOWN
- REFERENCES [A], [B], FOR CENTERLINE DEFINITION 1 mm ABOVE REFERENCE [C]
- ALL SYMMETRIC DIMENSIONS  $\equiv 0.05 \text{ } \text{C}$
- NO SPECIFIED RADII R0.5 mm
- CAVITY MARKING, CHARACTERS DEEP
- NO SPECIFIED WALL THICKNESS MIN. 1 mm
- IN THIS AREA MAX. 0.03 mm BURRS PERMITTED
- SPECIFICATION OF CONTACT PIN No 114-18063
- HEADER MATERIAL: PBT-GF10
- COUNTERPART SUITABLE FOR 10 POSITIONS MQS SOCKET HOUSING TE PN 2177198
- CODING AREA WITHOUT CHAMFER



THIS DRAWING IS A CONTROLLED DOCUMENT.		DWN: M. POLIZZI 05MAY2011 CHK: M. BANAS 05FEB2013 APVD: M. BANAS 14FEB2013	TE Connectivity
DIMENSIONS: mm 	TOLERANCES UNLESS OTHERWISE SPECIFIED: 0 PLC ±0.15 1 PLC ±0.10 2 PLC ±0.10 3 PLC ±0.10 4 PLC ±0.10 ANGLES ±0°	NAME: COVER, 10 POSITION MICRO QUADLOCK SYSTEM PRODUCT SPEC: 108-20319 APPLICATION SPEC:	
MATERIAL: $\triangle 8$ $\triangle 9$	SEE TABLE	WEIGHT: SEE TABLE CUSTOMER DRAWING:	SIZE: A1 CAGE CODE: 00779 DRAWING NO: C=2177198 RESTRICTED TO:
		SCALE: 5:1	SHEET: 2 OF 2 REV: A2