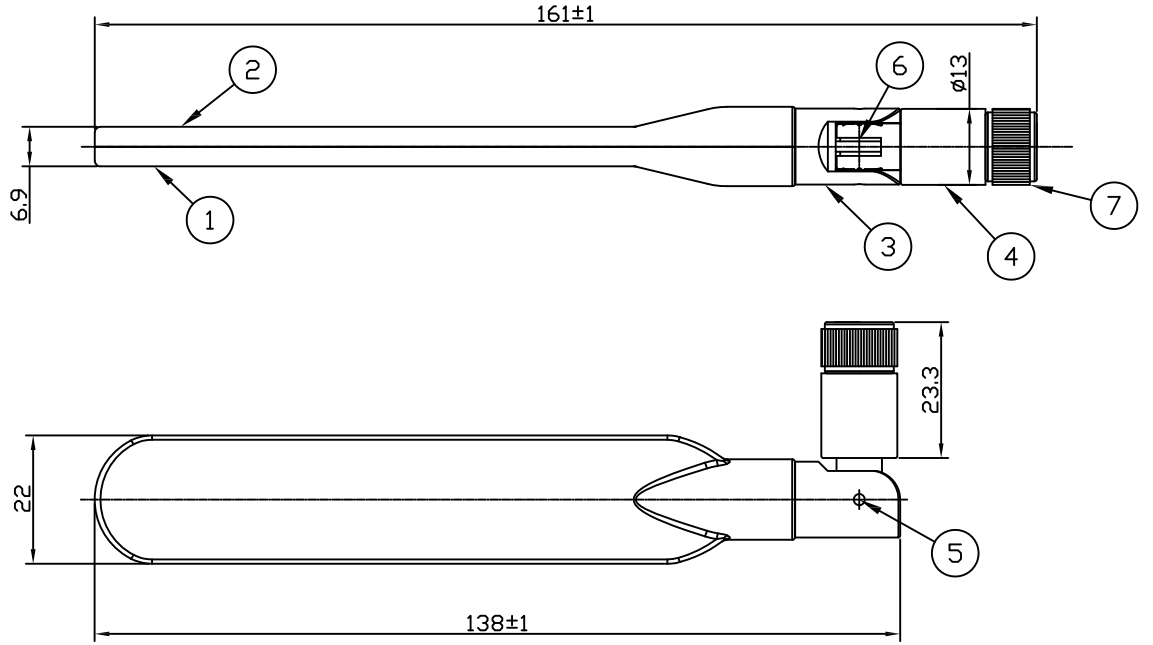


Rev	AWO #	Description	Date	Appr
-		RELEASED	11/15/18	

APPROVED: _____

DATE: _____ TITLE: _____

CUSTOM CABLE ASSEMBLIES ARE NON-CANCELLABLE / NON-RETURNABLE



7	CONNECTOR	SMA ST. PLUG
6	CABLE	RG178 CABLE,BROWN,50Ω
5	RIVET	PBT+PC,COLOR:BLACK
4	BOTTOM BASE	PBT+PC,COLOR:BLACK
3	UPPRT BASE	PBT+PC,COLOR:BLACK
2	ANTENNA CAP(R)	ASS,COLOR:BLACK
1	ANTENNA CAP(L)	ASS,COLOR:BLACK
ITEM	PART NAME	MATERIAL

SPECIFICATION

ELECTICAL PROPERTIES
 FREQUENCY RANGE: 704~960/1710~2690MHz
 IMPEDANCE: 50Ω
 VSWR: 1.92:1MAX
 RETURN LOSS: -10dB MAX
 RADIATION: OMNI-DIRECTIONAL
 GAIN: 2.0dBi
 ADMITTED POWER: 1W

PHYSICAL PROPERTIES
 ANTENNA COVER: ASS
 ANTENNA BASE: PC
 ANTENNA: PBT
 COLOR: BLACK
 CONNECTOR: SMA ST. PR
 OPERATING TEMPERATURE: -40~+80
 STORAGE TEMPERATURE: -45~+85

ENVIRONMENTAL:
 LEAD FREE, ROHS COMPLIANT



UNLESS OTHERWISE SPECIFIED ALL DIMENSIONS ARE MILLIMETERS TOLERANCES: EXCEPT AS NOTED		
		MM
X		± 0.30
X.X		± 0.20
X.XX		± 0.10
APPROVALS		DATE
DRAWN	AY	11/15/18
CHECKED	AC	11/15/18
APPROVED		

ADAM TECH INTERCONNECTS 909 Rahway Avenue,
 Union, NJ 07083
 Phone: 908-687-5000
 Fax: 908-687-5710

TITLE: LTE EXTERNAL ANTENNA

SIZE	PART NO.	REV.
X	ANT-DK-LTE1DIP-2AP(P)	-

REF: S00291T SCALE: NTS SHEET 1 OF 1

6 5 4 3 2 1

6 5 4 3 2 1