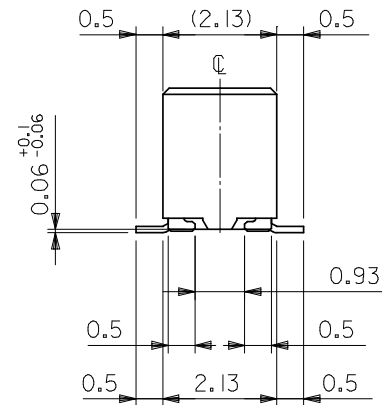
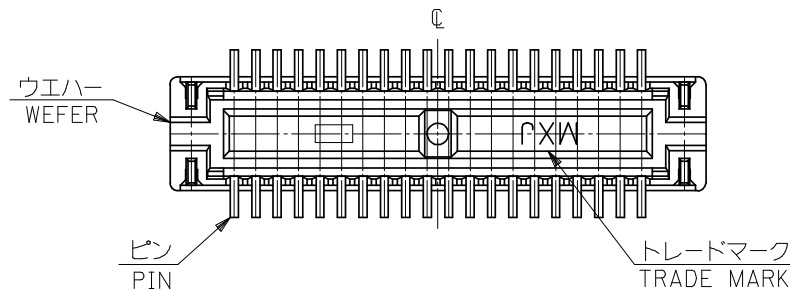
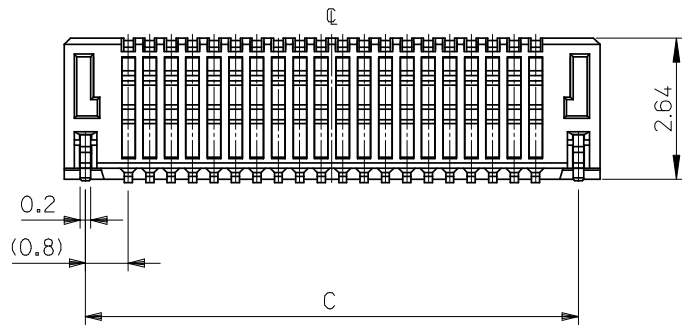
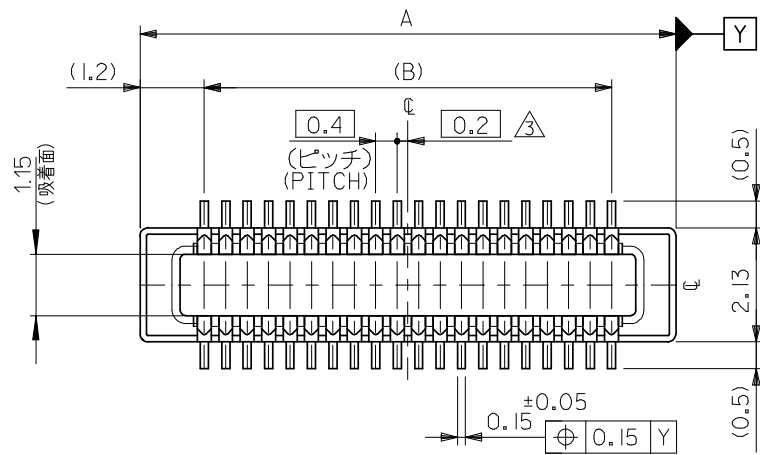


注記 NOTES:

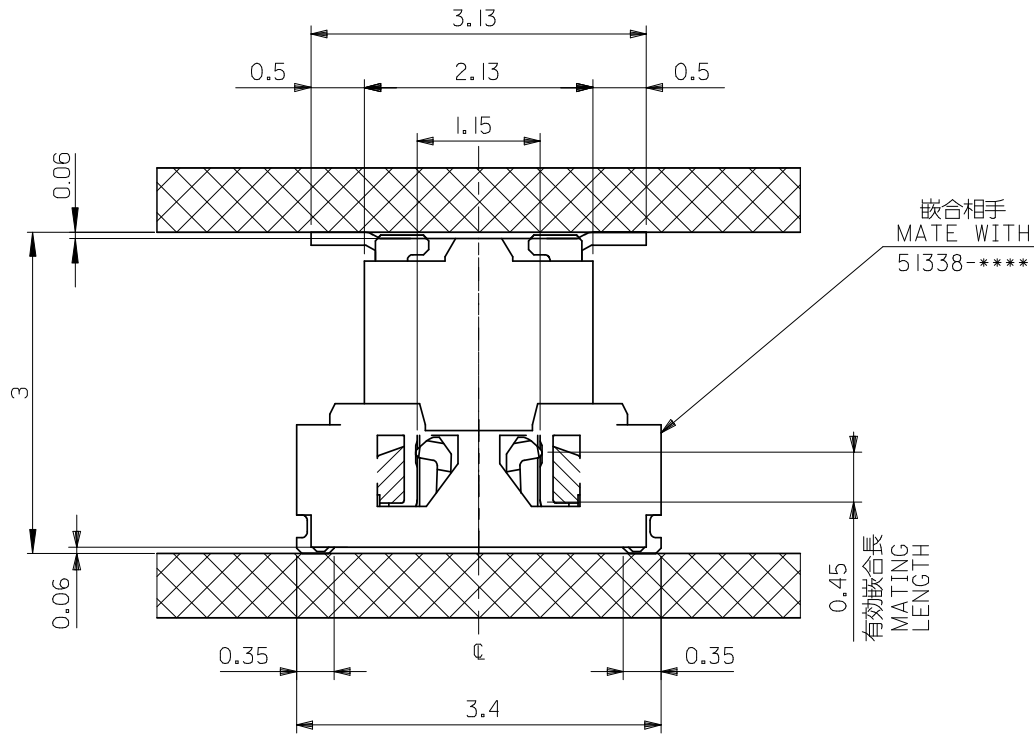
- 使用材料 MATERIAL  
 ウエハー: 液晶ポリマー (LCP) ガラス充填 UL94V-0 (黒)  
 WAFER: LIQUID CRYSTAL POLYMER (GLASS FILLED)  
 UL94V-0 (COLOR: BLACK)  
 ピン: 黄銅 (t=0.12)  
 PIN: BRASS (t=0.12)  
 金具: リン青銅 (t=0.2)  
 FITTING NAIL: PHOSPHOR BRONZE (t=0.2)
- メッキ仕様 PLATING  
 ピン PIN  
 金メッキ 0.2 マイクロメートル以上 (コンタクト部)  
 GOLD 0.2 MICROMETER MINIMUM (CONTACT AREA)  
 金メッキ 0.4 マイクロメートル以下 (テール部)  
 GOLD 0.4 MICROMETER MAXIMUM (TAIL AREA)  
 下地メッキ: ニッケルメッキ 1.5 マイクロメートル以上  
 UNDER PLATING: NICKEL 1.5 MICROMETER MINIMUM  
 金具 FITTING NAIL  
 錫メッキ 1.0 マイクロメートル以上  
 TIN PLATING 1.0 MICROMETER MINIMUM  
 下地メッキ: ニッケルメッキ 1.0 マイクロメートル以上  
 UNDER PLATING: NICKEL 1.0 MICROMETER MINIMUM

- (全極数/2) = 偶数の場合に適用。  
 APPLY FOR (CIRCUIT/2) = EVEN.
- 嵌合相手: 51338シリーズ  
 MATE WITH: 51338 SERIES
- テール平坦度は、0.08以下  
 テール及び金具の平坦度は、0.1以下  
 TAIL COPLANARITY TO BE 0.08 MAXIMUM  
 TAIL AND FITTING NAIL  
 COPLANARITY TO BE 0.1 MAXIMUM
- ELV 及び RoHS 適合品  
 ELV AND RoHS COMPLIANT.

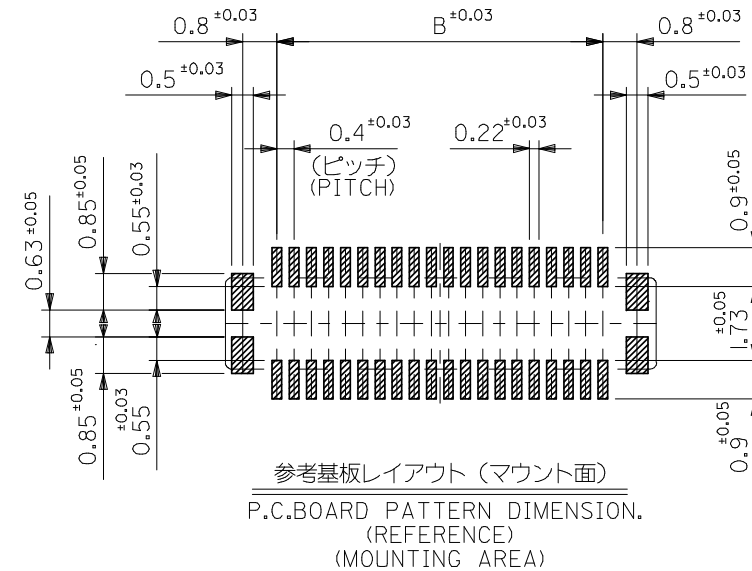


|     |     |     |                       |              |      |
|-----|-----|-----|-----------------------|--------------|------|
| 5.6 | 4.0 | 6.4 | 503219-0221           | 503219-0220  | 22   |
| C   | B   | A   | EMBOSSED TAPE PACKAGE | MATERIAL No. | CKT. |
|     |     |     | ORDER No.             |              |      |

|  |                                       |              |                 |   |  |                        |
|--|---------------------------------------|--------------|-----------------|---|--|------------------------|
| REVISED<br>EC NO: J2008-4313<br>DRWN:TKAIHO<br>CH:KD:MSASAO<br>APPR:MSASAO<br>2008/06/18<br>2008/06/18<br>2008/06/19 | GENERAL TOLERANCES (UNLESS SPECIFIED) |              | DIMENSION STYLE | SCALE   | DESIGN UNITS   | THIRD ANGLE PROJECTION |
|  |                                       |              | MM ONLY         | 1:1   | METRIC   |                        |
|  | 10 UNDER                              | ±0.2         | DRAWN BY        | DATE  | TITLE  |                        |
|  | 10 OVER 30 UNDER                      | ±0.25        | TKAIHO          | 2008/03/19  | 0.4 B-TO-B CONN.<br>PLUG ASSY (HGT=3.0)<br>WITH NAIL |                        |
|  | 30 OVER                               | ±0.3         | CHECKED BY      | DATE  |  |                        |
| ANGULAR ±1 °   |                                       | APPROVED BY  | DATE            | MOLEX INCORPORATED  |  |                        |
| DRAFT WHERE APPLICABLE MUST REMAIN WITHIN DIMENSIONS   |                                       | MSASAO       | 2008/03/19      | SEE TABLE   | SD-503219-001  | SHEET NO. 1 OF 2       |
|  |                                       | MATERIAL NO. | DOCUMENT NO.    | THIS DRAWING CONTAINS INFORMATION THAT IS PROPRIETARY TO MOLEX INCORPORATED AND SHOULD NOT BE USED WITHOUT WRITTEN PERMISSION |  |                        |



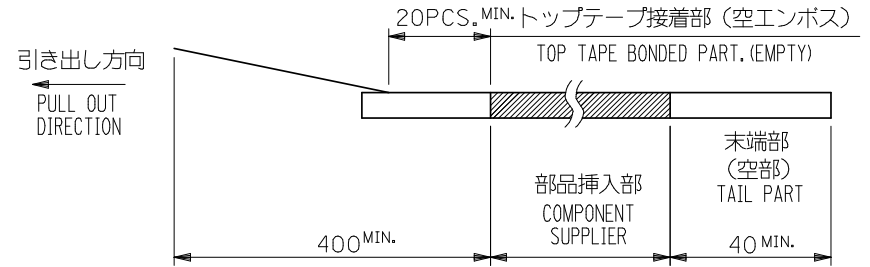
嵌合断面図 (参考)  
MATED DRAWING (REFERENCE)



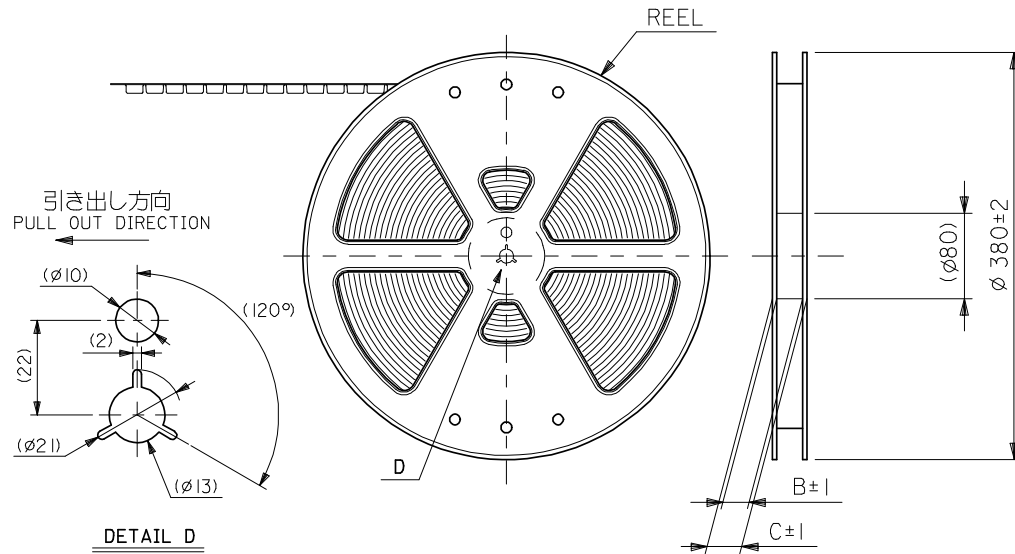
|   |  |       |                            |  |   |                        |                        |             |           |
|---|--|-------|----------------------------|--|---|------------------------|------------------------|-------------|-----------|
| REVISED<br>EC NO: J2008-4313<br>DRWN:TKAIHO 2008/06/18<br>CHKD:MSASAO 2008/06/18<br>APPR:MSASAO 2008/06/19<br>A | GENERAL TOLERANCES (UNLESS SPECIFIED)                      |       | DIMENSION STYLE<br>MM ONLY |  | SCALE<br>1:1  | DESIGN UNITS<br>METRIC | THIRD ANGLE PROJECTION | 503219-***0 | MODEL NO. |
|   | 10 UNDER   | ±0.2  | DRAWN BY<br>TKAIHO         | DATE<br>2008/03/19   | TITLE<br>0.4 B-TO-B CONN.<br>PLUG ASSY (HGT=3.0)<br>WITH NAIL |                        |                        |             |           |
|   | 10 OVER 30 UNDER   | ±0.25 | CHECKED BY<br>MSASAO       | DATE<br>2008/03/19   |   |                        |                        |             |           |
|   | 30 OVER  | ±0.3  | APPROVED BY<br>MSASAO      | DATE<br>2008/03/19   | MOLEX INCORPORATED  |                        |                        |             |           |
|   | ANGULAR  | ±1 °  | MATERIAL NO.               | DOCUMENT NO.   |   |                        |                        |             |           |
|   | DRAFT WHERE APPLICABLE<br>MUST REMAIN<br>WITHIN DIMENSIONS |       |                            | THIS DRAWING CONTAINS INFORMATION THAT IS PROPRIETARY TO MOLEX<br>INCORPORATED AND SHOULD NOT BE USED WITHOUT WRITTEN PERMISSION |   |                        |                        |             |           |

NOTES

- 製品詳細寸法については製品単体図面を参照下さい。  
RE DETAILED DIMENSION, SEE PRODUCT DRAWING.
- 梱包数量：1800 個/リール  
NUMBER OF CONNECTORS : 1800 PCS/REEL
- リードテープ長さ LEAD TAPE LENGTH



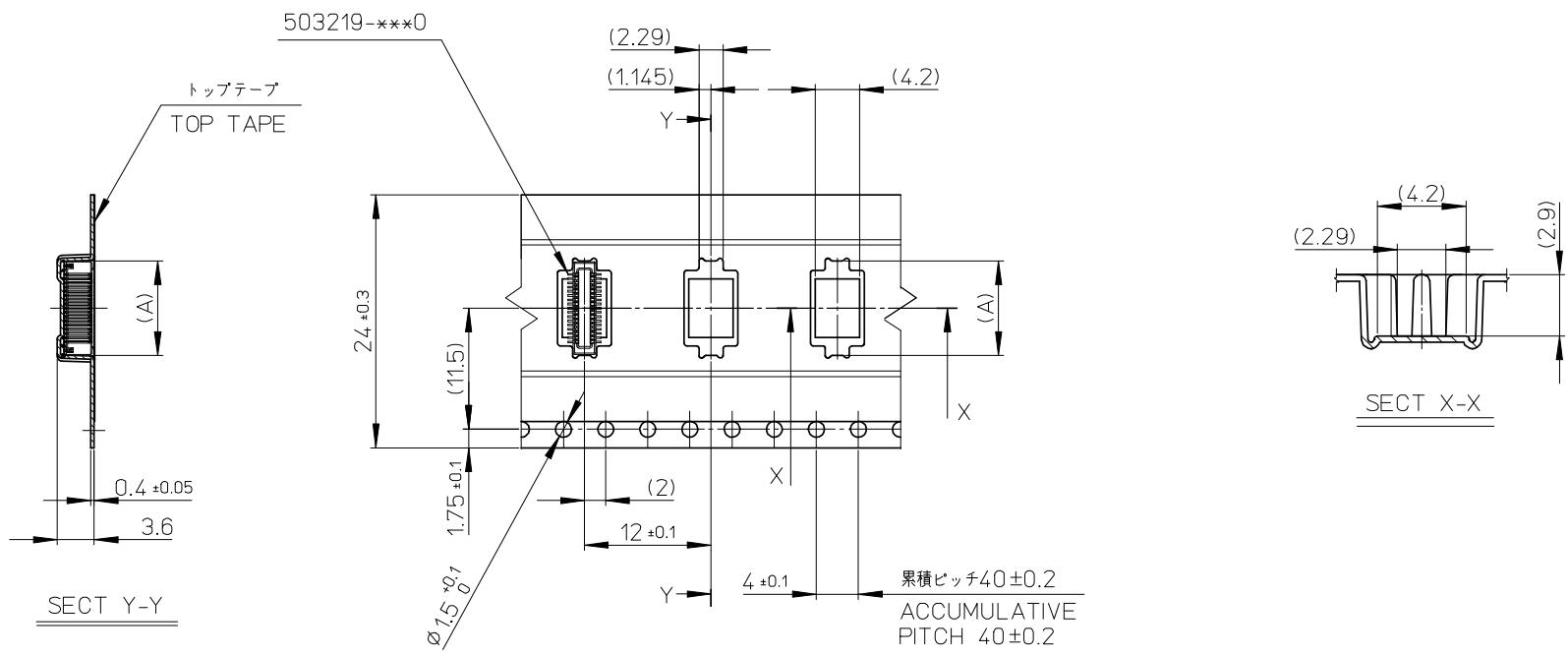
- 材料 MATERIAL  
キャリアテープ (CARRIER TAPE) : ポリスチレン (POLYSTYRENE)  
トップテープ (TOP TAPE) : PET , PE , PEF  
リール (REEL) : ポリスチレン (PS) <リサイクル材を含む>  
POLYSTYRENE (PS) <RECYCLE MATERIAL CONTAINED>
- ELV 及び RoHS 適合品  
ELV AND RoHS COMPLIANT.



503219-\*\*\*1 MODEL NO.

|   |  |       |   |  |   |                        |                        |  |
|---|--|-------|---|--|---|------------------------|------------------------|--|
| REVISED<br>EC NO: J2008-4313<br>DRWN:TKAHO 2008/06/18<br>CH'KD:MSAO 2008/06/18<br>APPR:MSAO 2008/06/19<br>A | GENERAL TOLERANCES (UNLESS SPECIFIED)                |       | DIMENSION STYLE<br>MM ONLY              |  | SCALE<br>---  | DESIGN UNITS<br>METRIC | THIRD ANGLE PROJECTION |  |
|   | 10 UNDER   | ±0.2  | DRAWN BY DATE<br>T. KAIHO 2008/04/03    |  | TITLE<br>0.4 B-TO-B CONN.<br>PLUG ASSY (HGT=3)<br>EMBSTP PKG  |                        |                        |  |
|   | 10 OVER 30 UNDER                                     | ±0.25 | CHECKED BY DATE<br>M. SASAO 2008/04/03  |  |   |                        |                        |  |
|   | 30 OVER  | ±0.3  | APPROVED BY DATE<br>M. SASAO 2008/04/03 |  | MOLEX INCORPORATED<br>MATERIAL NO. DOCUMENT NO. SD-503219-002 SHEET NO. 1 OF 2  |                        |                        |  |
|   | ANGULAR ±3 °   |       | MATERIAL NO.                            |  |   |                        |                        |  |
|   | DRAFT WHERE APPLICABLE MUST REMAIN WITHIN DIMENSIONS |       | SEE TABLE                               |  | THIS DRAWING CONTAINS INFORMATION THAT IS PROPRIETARY TO MOLEX INCORPORATED AND SHOULD NOT BE USED WITHOUT WRITTEN PERMISSION |                        |                        |  |

引き出し方向  
PULL OUT  
DIRECTION



|                                |      |      |      |              |            |
|--------------------------------|------|------|------|--------------|------------|
| 24                             | 29.4 | 25.4 | 6.56 | 503219-0221  | 22         |
| キャリアテープ幅<br>CARRIER TAPE WIDTH | C    | B    | (A)  | MATERIAL NO. | 極数<br>CKT. |

|  |   |  |                 |               |   |                        |  |
|--|---|--|-----------------|---------------|---|------------------------|--|
| RELEASED<br>EC NO: J2008-4313<br>DRWN:TKAIHO 2008/06/18<br>CHK:MSASAO 2008/06/18<br>APPR:MSASAO 2008/06/19 | GENERAL TOLERANCES (UNLESS SPECIFIED)   |  | DIMENSION STYLE | SCALE         | DESIGN UNITS                                  | THIRD ANGLE PROJECTION |  |
|  | 10 UNDER ±0.2   |  | MM ONLY         | ---           | METRIC  | ⊙ □                    |  |
|  | 10 OVER 30 UNDER ±0.25  |  |                 | TITLE         | 0.4 B-TO-B CONN. PLUG ASSY (HGT=3) EMBSTP PKG |                        |  |
|  | 30 OVER ±0.3  |  |                 |               | MOLEX INCORPORATED                            |                        |  |
|  | ANGULAR ±3 °  |  |                 | MATERIAL NO.  | DOCUMENT NO.                                  | SHEET NO.              |  |
| DRAFT WHERE APPLICABLE MUST REMAIN WITHIN DIMENSIONS   |   |  | SEE TABLE       | SD-503219-002 |   | 2 OF 2                 |  |
| A  | THIS DRAWING CONTAINS INFORMATION THAT IS PROPRIETARY TO MOLEX INCORPORATED AND SHOULD NOT BE USED WITHOUT WRITTEN PERMISSION |  |                 |               |   |                        |  |