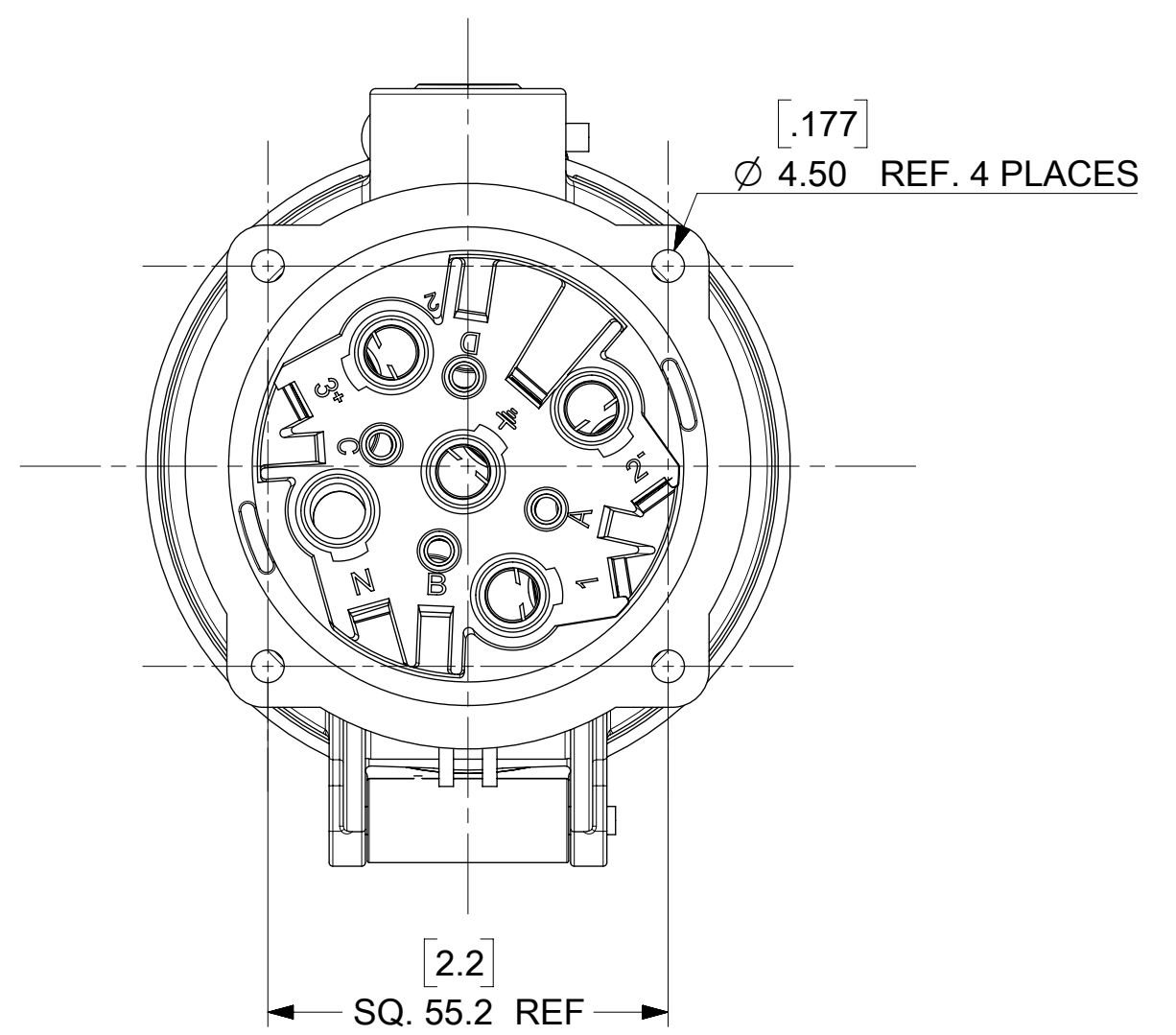
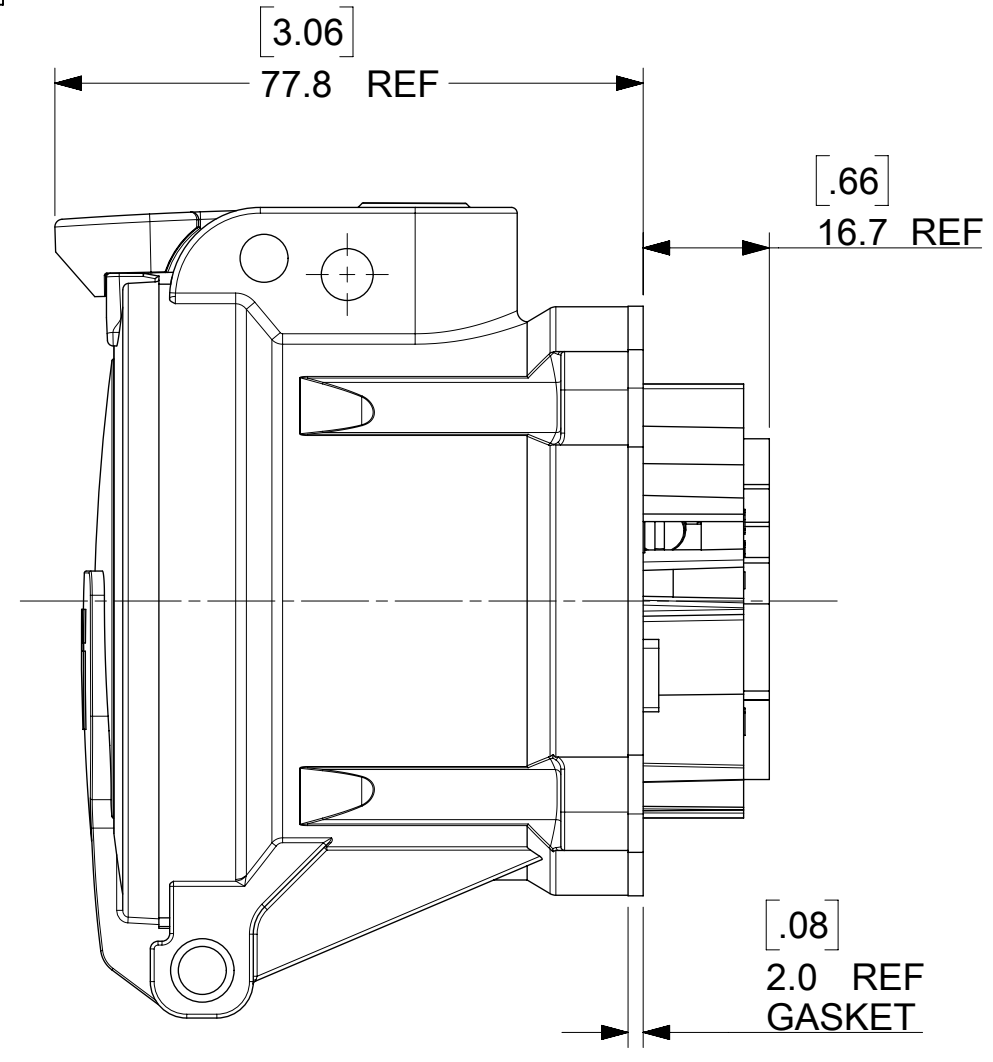
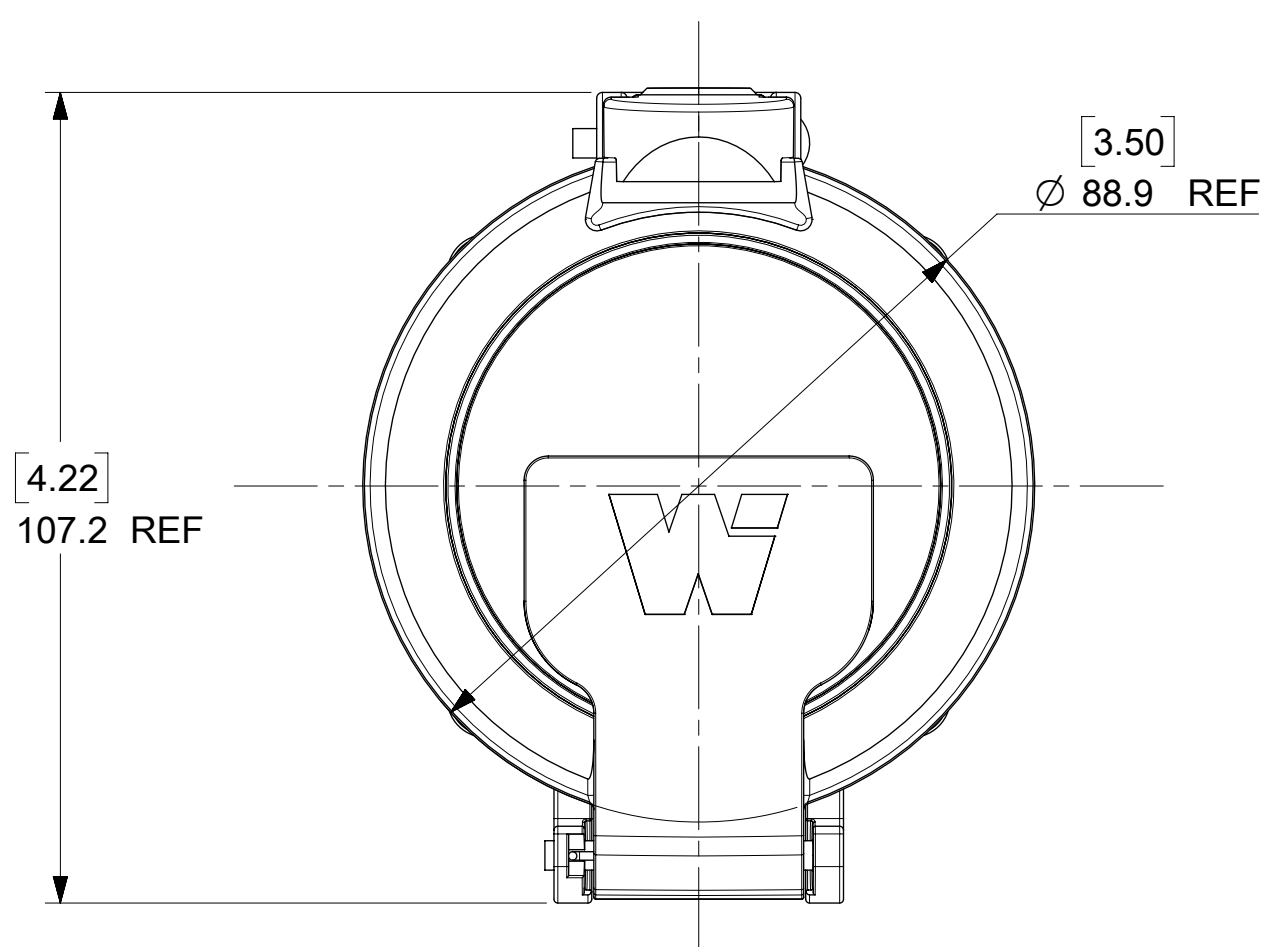
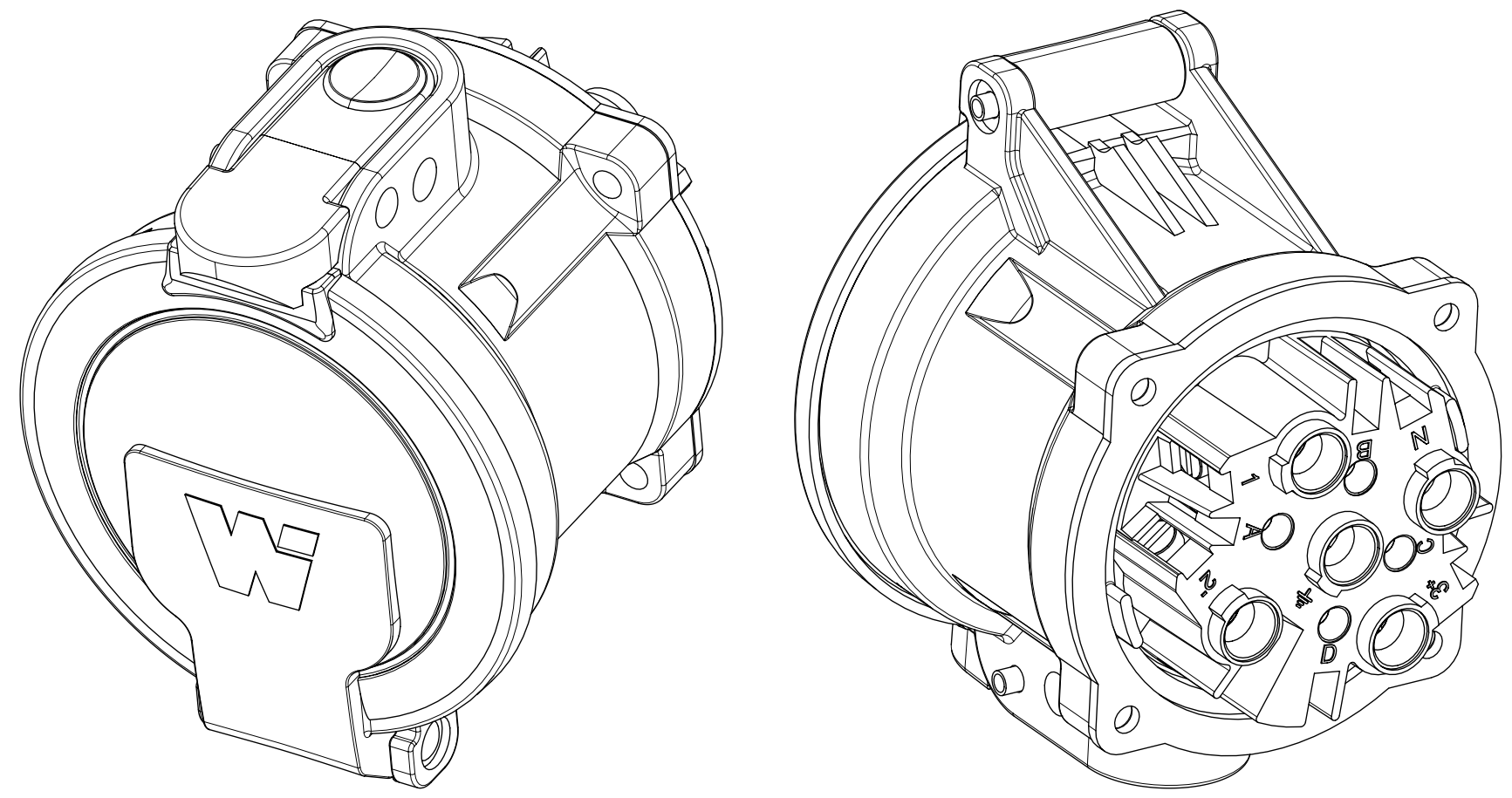


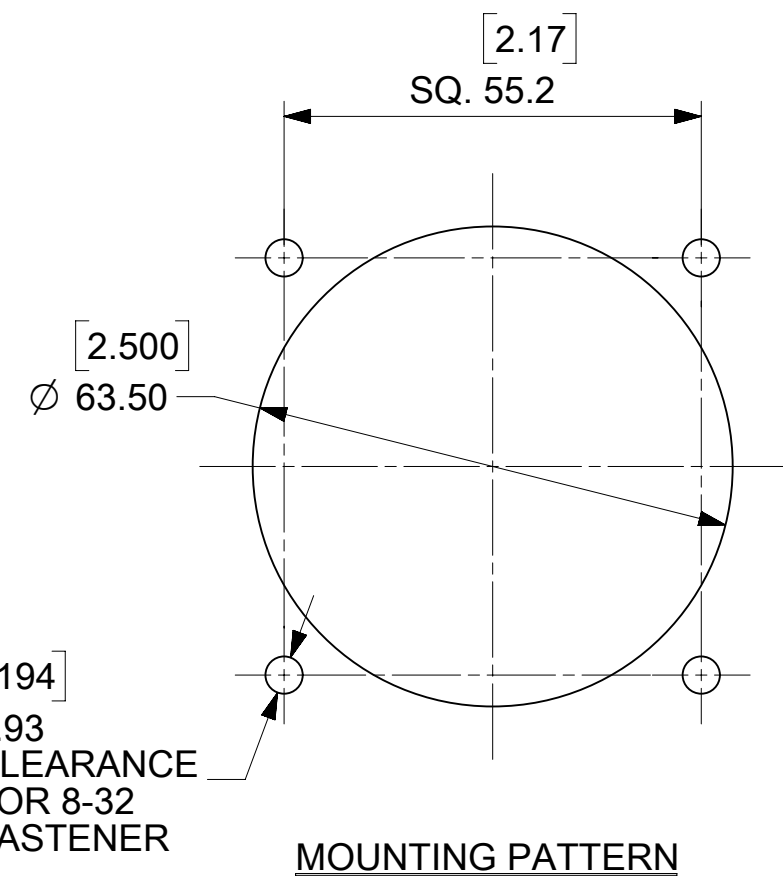
| MATERIAL NUMBER | ENGINEERING NUMBER | DESCRIPTION                 | INSULATOR KEYING POSITION | HORSEPOWER RATING |
|-----------------|--------------------|-----------------------------|---------------------------|-------------------|
| 1122170001      | ARC60FA01          | ARC 60A F 125VAC 1P+N+G     | 7                         | 2 HP              |
| 1122170002      | ARC60FB02          | ARC 60A F 250VAC 2P+G       |                           | 3 HP              |
| 1122170003      | ARC60FB03          | ARC 60A F 250VAC 3P+G       |                           | 7.5 HP            |
| 1122170004      | ARC60FAB04         | ARC 60A F 125/250VAC 2P+N+G |                           | NA                |
| 1122170005      | ARC60FC02          | ARC 60A F 208VAC 2P+G       | 16                        | NA                |
| 1122170006      | ARC60FC03          | ARC 60A F 208VAC 3P+G       |                           | 7.5 HP            |
| 1122170007      | ARC60FAC05         | ARC 60A F 120/208VAC 3P+N+G |                           | NA                |
| 1122170008      | ARC60FD01          | ARC 60A F 277VAC 1P+N+G     | 4                         | NA                |
| 1122170009      | ARC60FE02          | ARC 60A F 480VAC 2P+G       |                           | NA                |
| 1122170010      | ARC60FE03          | ARC 60A F 480VAC 3P+G       |                           | 20 HP             |
| 1122170011      | ARC60FDE05         | ARC 60A F 277/480VAC 3P+N+G |                           | NA                |
| 1122170012      | ARC60FF02          | ARC 60A F 600VAC 2P+G       | 14                        | NA                |
| 1122170013      | ARC60FF03          | ARC 60A F 600VAC 3P+G       |                           | 20 HP             |
| 1122170014      | ARC60FGF05         | ARC 60A F 347/600VAC 3P+N+G |                           | NA                |



**NOTES:**

**MATERIALS:**  
HOUSINGS AND INSULATORS: GLASS FILLED PBT  
CONTACTS: COPPER ALLOY WITH A SILVER NICKEL TIP, SILVER PLATED  
MOUNTING AND INTERFACE GASKETS: SILICONE

**RATINGS:**  
CURRENT: 60 AMPS  
VOLTAGE AND HORSEPOWER: SEE TABLE  
AMBIENT OPERATING TEMPERATURE: -25°C (-13°F) TO 60°C (140°F)  
(WITH MAX. 30°C RISE ABOVE AMBIENT)  
ENVIRONMENTAL: NEMA TYPE 4X & IP69K  
WIRING CAPACITY: 10 AWG MIN. TO 4 AWG MAX.  
TORQUE TERMINAL SCREWS TO 1.7 Nm (15 in-lbs)  
AGENCY: UL LISTING PENDING  
SCREW RATED RECEPTACLE/CONNECTOR  
BRANCH CIRCUIT DISCONNECT SWITCH  
MOTOR CIRCUIT DISCONNECT SWITCH IF HP RATED



**LASER MARKING FOR REF ONLY**  
REFER TO TABLE FOR PART NUMBER INFORMATION

|                                    |  |                      |                        |
|------------------------------------|--|----------------------|------------------------|
| ELECTRICAL & ENVIRONMENTAL RATINGS | <b>Woodhead® ARC60FE03</b>                         | ENGINEERING NO.      | <b>ARC60FE03 SHOWN</b> |
|                                    | 60A, 480VAC, 3Ø<br>20HP, TYPE 4X, IP69K            |                      |                        |
| WORK ORDER NO.                     | SWITCH RATED RECEPTACLE/CONNECTOR<br>*WOXXXXXXXXXX | DATE OF MANUFACTURER |                        |

|   |          |          |          |  |  |                |  |              |  |  |  |              |  |  |  |                                       |  |  |  |                          |  |  |  |                 |          |          |          |            |     |     |    |
|---|----------|----------|----------|--|--|----------------|--|--------------|--|--|--|--------------|--|--|--|---------------------------------------|--|--|--|--------------------------|--|--|--|-----------------|----------|----------|----------|------------|-----|-----|----|
| THIS DRAWING CONTAINS INFORMATION THAT IS PROPRIETARY TO MOLEX ELECTRONIC TECHNOLOGIES, LLC AND SHOULD NOT BE USED WITHOUT WRITTEN PERMISSION |          |          |          |  |  |                |  |              |  |  |  |              |  |  |  |                                       |  |  |  |                          |  |  |  |                 |          |          |          |            |     |     |    |
| DIMENSION UNITS   |          | SCALE    |          | CURRENT REV DESC: GENERAL MARKET RELEASE   |  |                |  |              |  |  |  |              |  |  |  |                                       |  |  |  |                          |  |  |  |                 |          |          |          |            |     |     |    |
| MM/INCH   |          | 1:1      |          | <table border="0"> <tr> <td colspan="4"><b>molex</b></td> </tr> <tr> <td colspan="4">60A ARC ARREST RECEPTACLE / CONNECTOR</td> </tr> <tr> <td colspan="4">PRODUCT CUSTOMER DRAWING</td> </tr> <tr> <td>DOCUMENT NUMBER</td> <td>DOC TYPE</td> <td>DOC PART</td> <td>REVISION</td> </tr> <tr> <td>1122170010</td> <td>PSD</td> <td>000</td> <td>A2</td> </tr> </table> |  |                |  |              |  |  |  | <b>molex</b> |  |  |  | 60A ARC ARREST RECEPTACLE / CONNECTOR |  |  |  | PRODUCT CUSTOMER DRAWING |  |  |  | DOCUMENT NUMBER | DOC TYPE | DOC PART | REVISION | 1122170010 | PSD | 000 | A2 |
| <b>molex</b>  |          |          |          |  |  |                |  |              |  |  |  |              |  |  |  |                                       |  |  |  |                          |  |  |  |                 |          |          |          |            |     |     |    |
| 60A ARC ARREST RECEPTACLE / CONNECTOR   |          |          |          |  |  |                |  |              |  |  |  |              |  |  |  |                                       |  |  |  |                          |  |  |  |                 |          |          |          |            |     |     |    |
| PRODUCT CUSTOMER DRAWING  |          |          |          |  |  |                |  |              |  |  |  |              |  |  |  |                                       |  |  |  |                          |  |  |  |                 |          |          |          |            |     |     |    |
| DOCUMENT NUMBER   | DOC TYPE | DOC PART | REVISION |  |  |                |  |              |  |  |  |              |  |  |  |                                       |  |  |  |                          |  |  |  |                 |          |          |          |            |     |     |    |
| 1122170010  | PSD      | 000      | A2       |  |  |                |  |              |  |  |  |              |  |  |  |                                       |  |  |  |                          |  |  |  |                 |          |          |          |            |     |     |    |
| GENERAL TOLERANCES (UNLESS SPECIFIED)   |          |          |          |  |  |                |  |              |  |  |  |              |  |  |  |                                       |  |  |  |                          |  |  |  |                 |          |          |          |            |     |     |    |
|   | MM       | INCH     |          |  |  |                |  |              |  |  |  |              |  |  |  |                                       |  |  |  |                          |  |  |  |                 |          |          |          |            |     |     |    |
| 4 PLACES  | ±        | ±        |          |  |  |                |  |              |  |  |  |              |  |  |  |                                       |  |  |  |                          |  |  |  |                 |          |          |          |            |     |     |    |
| 3 PLACES  | ±        | ± 0.01   |          |  |  |                |  |              |  |  |  |              |  |  |  |                                       |  |  |  |                          |  |  |  |                 |          |          |          |            |     |     |    |
| 2 PLACES  | ±        | ± 0.02   |          |  |  |                |  |              |  |  |  |              |  |  |  |                                       |  |  |  |                          |  |  |  |                 |          |          |          |            |     |     |    |
| 1 PLACE   | ±        | ± 0.04   |          |  |  |                |  |              |  |  |  |              |  |  |  |                                       |  |  |  |                          |  |  |  |                 |          |          |          |            |     |     |    |
| 0 PLACES  | ±        | ± 1.0    |          |  |  |                |  |              |  |  |  |              |  |  |  |                                       |  |  |  |                          |  |  |  |                 |          |          |          |            |     |     |    |
| ANGULAR TOL ± 3.0°  |          |          |          |  |  |                |  |              |  |  |  |              |  |  |  |                                       |  |  |  |                          |  |  |  |                 |          |          |          |            |     |     |    |
| DRAFT WHERE APPLICABLE MUST REMAIN WITHIN DIMENSIONS  |          |          |          |  |  |                |  |              |  |  |  |              |  |  |  |                                       |  |  |  |                          |  |  |  |                 |          |          |          |            |     |     |    |
| THIRD ANGLE PROJECTION  |          |          |          |  |  |                |  |              |  |  |  |              |  |  |  |                                       |  |  |  |                          |  |  |  |                 |          |          |          |            |     |     |    |
| DRAWING   |          | SERIES   |          | MATERIAL NUMBER  |  | CUSTOMER       |  | SHEET NUMBER |  |  |  |              |  |  |  |                                       |  |  |  |                          |  |  |  |                 |          |          |          |            |     |     |    |
| C-SIZE  |          | 112217   |          | SEE TABLE  |  | GENERAL MARKET |  | 1 OF 1       |  |  |  |              |  |  |  |                                       |  |  |  |                          |  |  |  |                 |          |          |          |            |     |     |    |